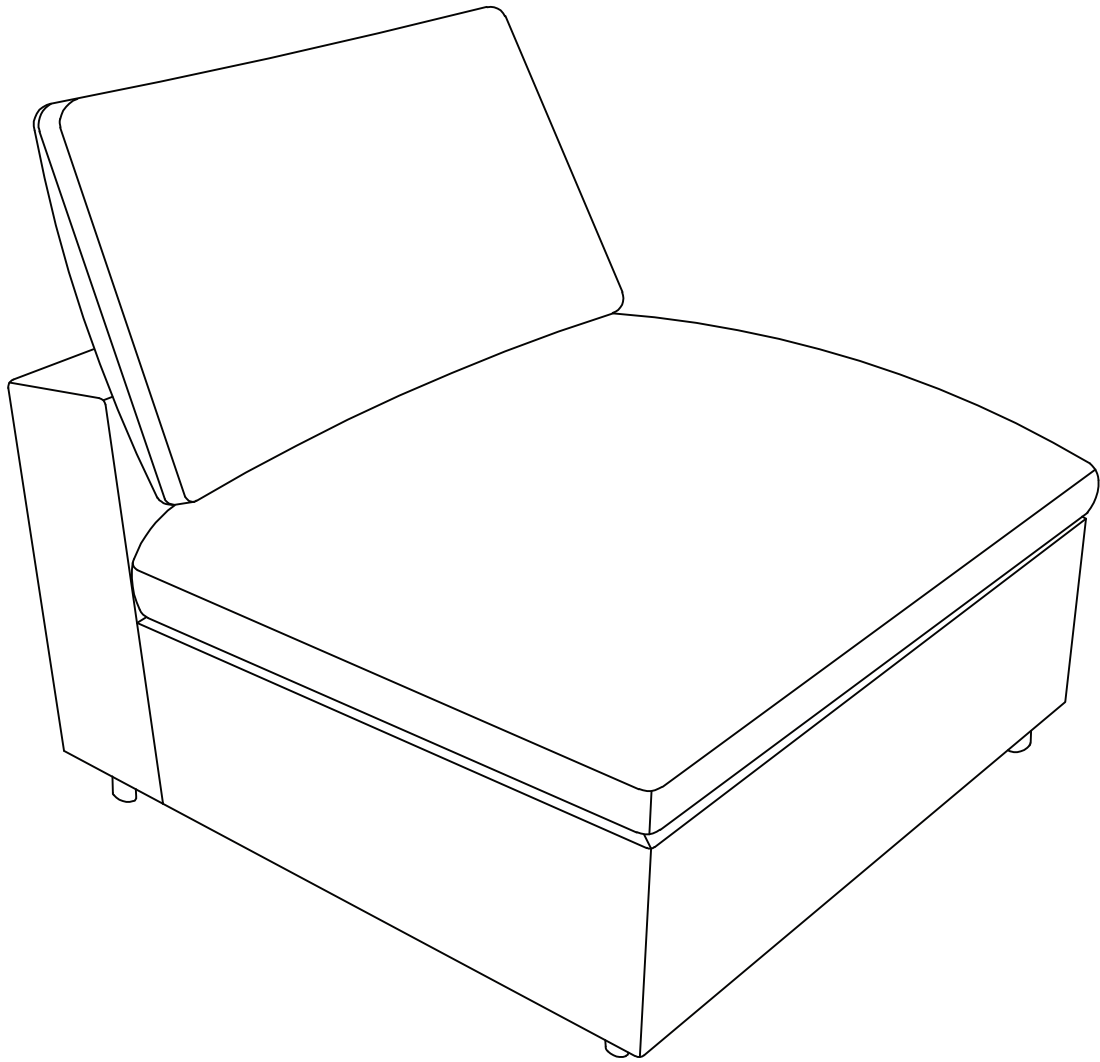


ASSEMBLY INSTRUCTIONS

EEI-6257

V1.15.11.23



Questions? Contact us!

609.256.9000 • cs@modway.com
www.modway.com

*modway

Let's get started!

*modway



Read through all of the instructions before starting



Care instructions are listed in the last step of this manual



Approx. 30 minutes assembly time



Make sure you have all parts and components before discarding any packing materials



2 people recommended for assembly

Only use hand tools to assemble this item. Do not use power tools. Do not tighten bolts or screws completely until all hardware is lined up and inserted into the holes.

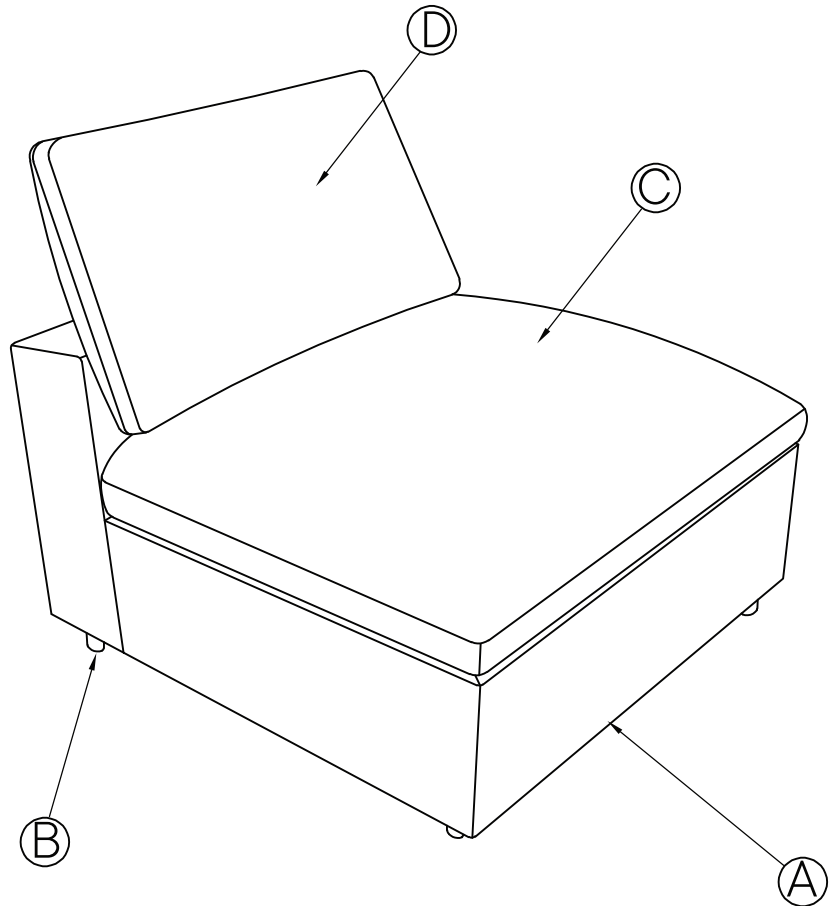
Do not over-tighten screws and bolts to avoid stripping the hardware or cracking the item.

Assemble your item on a flat, carpeted area, with plenty of space to work. This will prevent damage and scratches to your floors or the item while you're assembling the product.

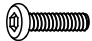



Keep all components and packaging out of reach of children or animals to avoid risk of choking or suffocation.

Furniture components:

| | | |
|---|--------------|---|
| A | Frame Body | x1 |
| B | Leg | x4 |
| C | Seat Cushion | x1 |
| D | Back Cushion | x1 (1 pc Back cushion for EEI - 6257). |



Provided hardware:

| | | | |
|---|---|----------------------|----|
| E |  | Bolt 1/4 x 60mm | x4 |
| F |  | Flat Washer 1/4x19mm | x4 |
| G |  | Allen Wrench | x1 |
| H |  | Felt Pad | x4 |

Wait!

Missing parts or hardware? Need assistance?
Contact us before returning your item. We're here to help!
609.256.9000 • cs@modway.com

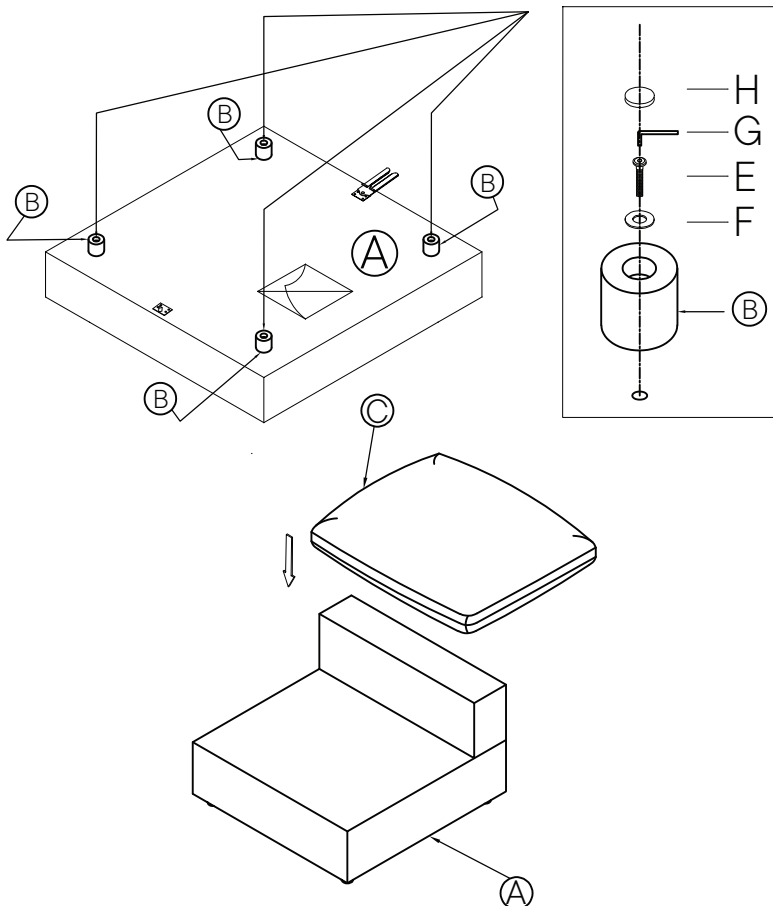
Step 1

COMPONENTS

| | | |
|----------|---|----|
| A | Frame Body | x1 |
| B | Leg | x4 |
| C | Seat Cushion | x1 |
| D | Back Cushion (1 pc Back cushion for EEI - 6257). | x1 |

HARDWARE

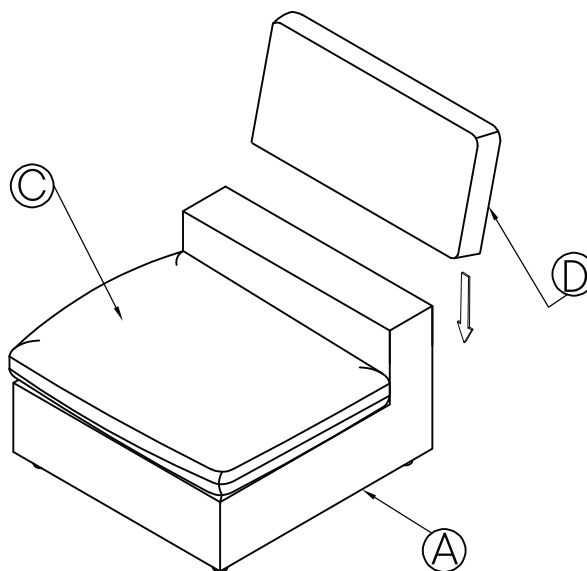
| | | |
|----------|----------------------|----|
| E | Bolt 1/4 x 60mm | x4 |
| F | Flat Washer 1/4x19mm | x4 |
| G | Allen Wrench | x1 |
| H | Felt Pad | x4 |



Step 2

COMPONENTS

| | |
|----------|--|
| D | Back cushion = 1 pc (1 Back cushion for EEI- 6257). |
|----------|--|



Great job!

Your armless is complete and ready to enjoy.

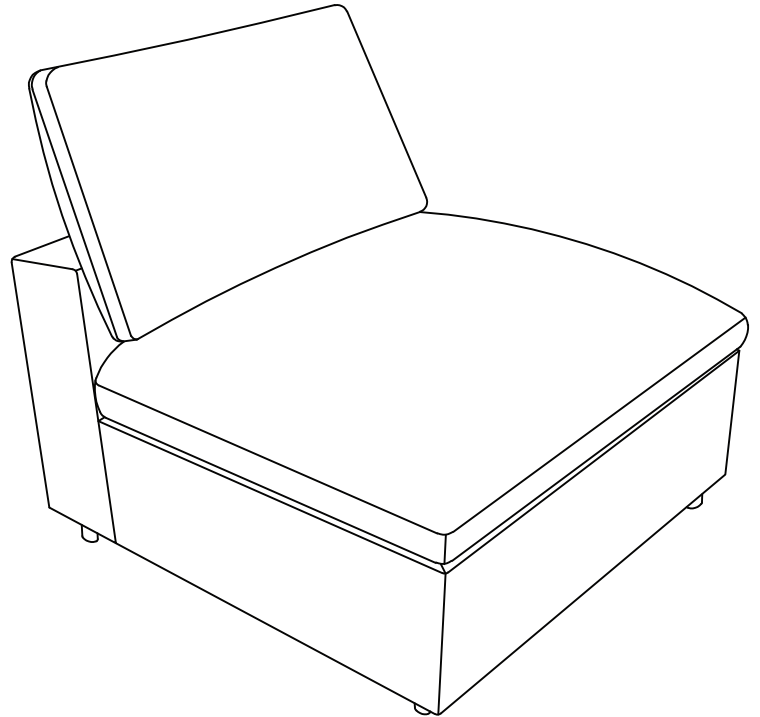
♥ CARING FOR YOUR ITEM

Indoor use.

Not contract grade.

Clean using a non-abrasive cloth and a mild cleaner.

Never use harsh chemicals, as they could damage the finish or integrity of the item.



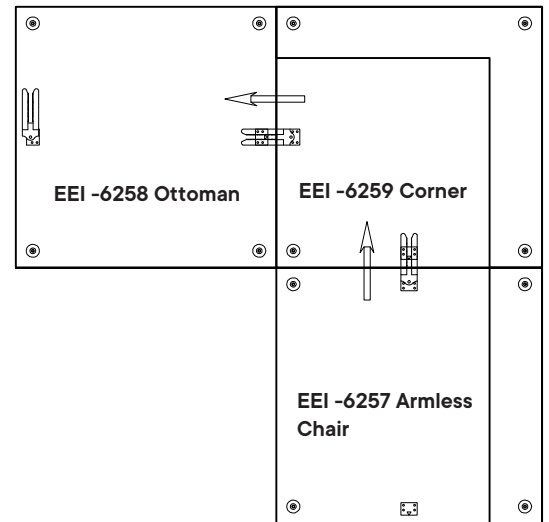
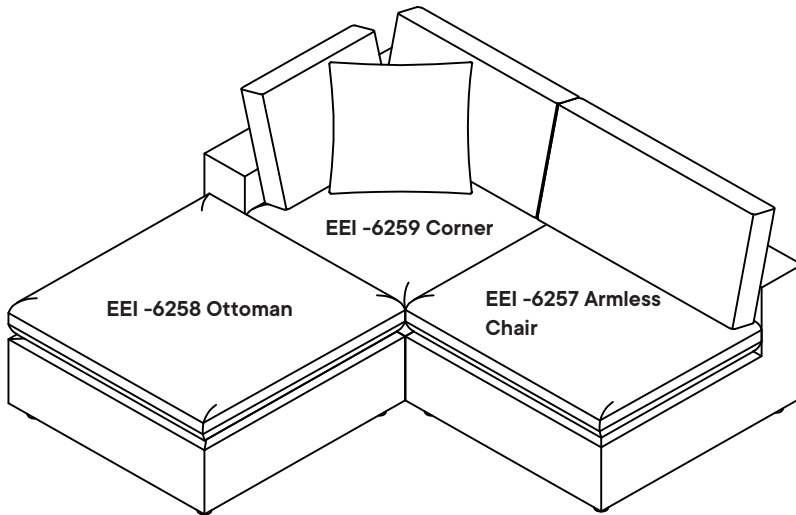
CONNECT WITH US!   

Tag us @modway_furniture and #modway for a chance to be featured.

EEI- 6258 Ottoman with EEI- 6257 Armless Chair, EEI-6259 Corner have three Combination of options as shown below.

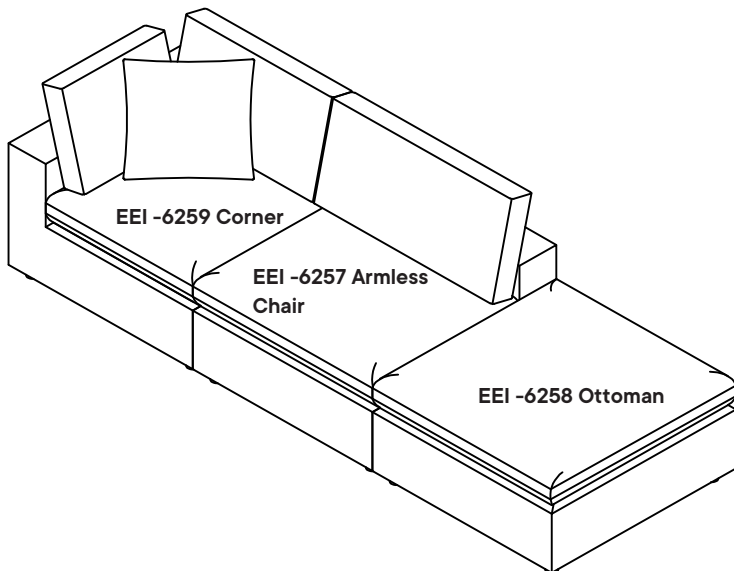
Option A: Align the pre - installed Clip to the pre installed Post as shown.

Push EEI- 6258 Ottoman , EEI-6259 Corner and EEI- 6257 Armless Chair slowly until the Clip and the Post click together tightly

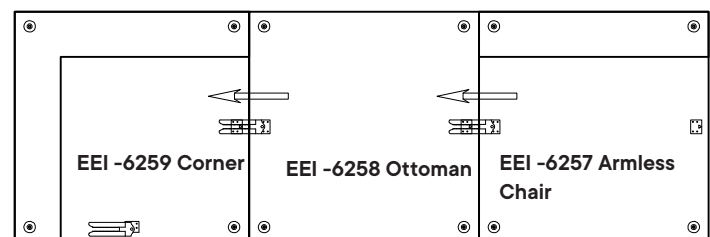
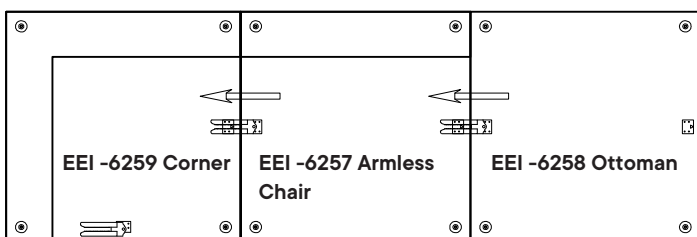
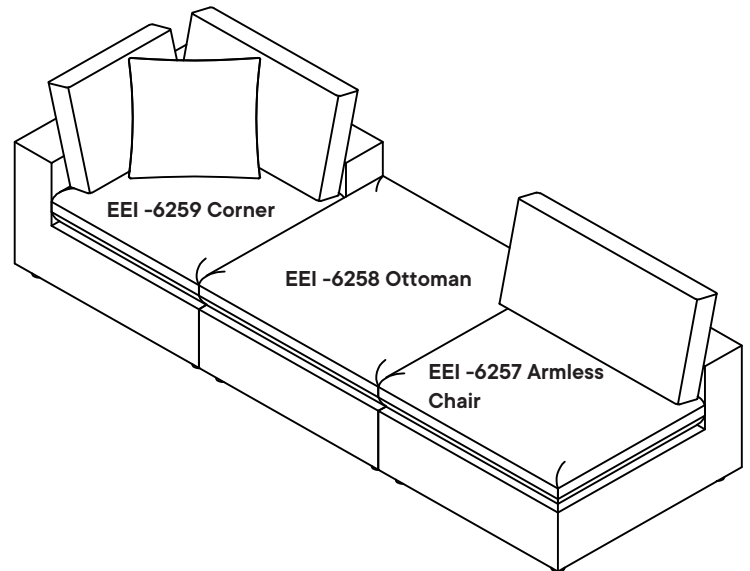


If you want to unlock the sofa Combination: Lift up EEI- 6259 Corner and move EEI- 6258 Ottoman and EEI- 6257 Armless Chair apart from EEI- 6259 Corner.

Option B



Option C

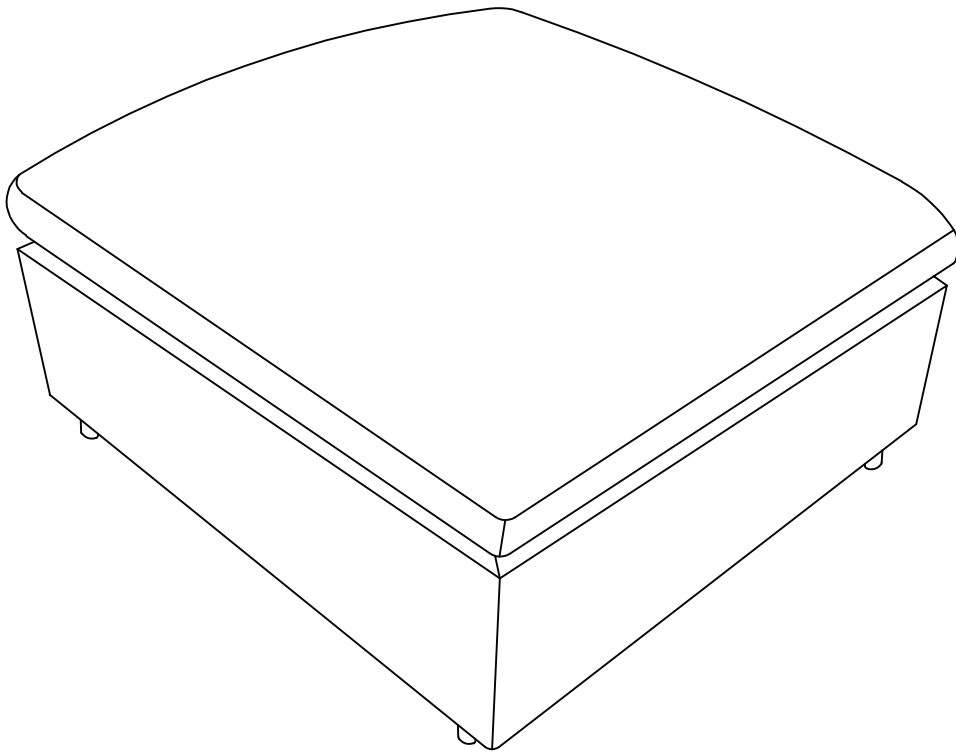


Assembly is complete. The sectional sofa is ready to enjoy now.

ASSEMBLY INSTRUCTIONS

EEI-6258

V1.15.11.23



Questions? Contact us!

609.256.9000 • cs@modway.com
www.modway.com

*modway



Read through all of the instructions before starting



Care instructions are listed in the last step of this manual



Approx. 30 minutes assembly time



Make sure you have all parts and components before discarding any packing materials



2 people recommended for assembly

Only use hand tools to assemble this item. Do not use power tools. Do not tighten bolts or screws completely until all hardware is lined up and inserted into the holes.

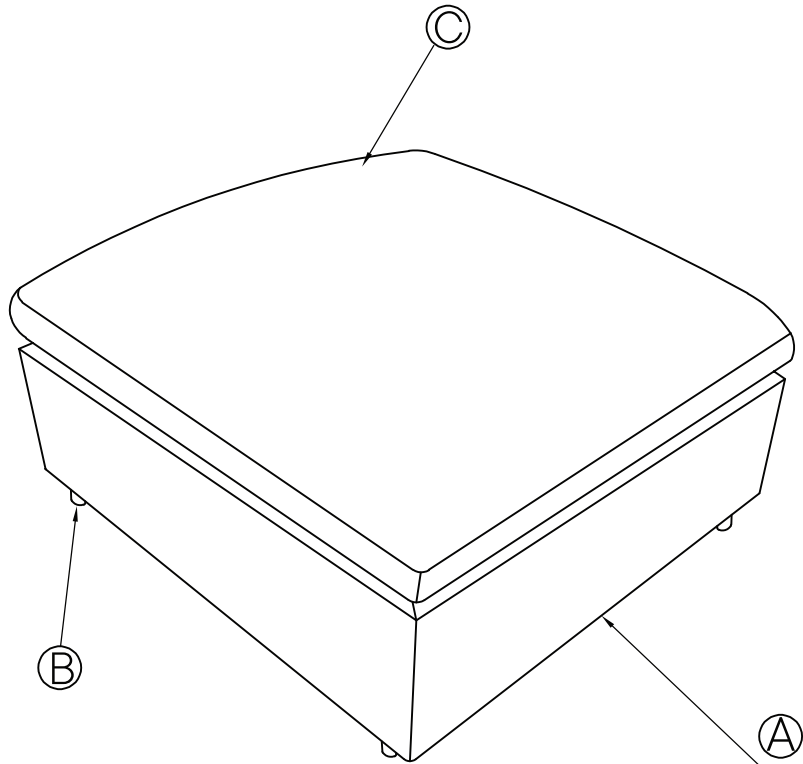
Do not over-tighten screws and bolts to avoid stripping the hardware or cracking the item.

Assemble your item on a flat, carpeted area, with plenty of space to work. This will prevent damage and scratches to your floors or the item while you're assembling the product.

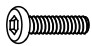



Keep all components and packaging out of reach of children or animals to avoid risk of choking or suffocation.

Furniture components:

| | | |
|---|--------------|----|
| A | Frame Body | x1 |
| B | Leg | x4 |
| C | Seat Cushion | x1 |



Provided hardware:

| | | | |
|---|---|----------------------|----|
| E |  | Bolt 1/4 x 60mm | x4 |
| F |  | Flat Washer 1/4x19mm | x4 |
| G |  | Allen Wrench | x1 |
| H |  | Felt Pad | x4 |

Wait!

Missing parts or hardware? Need assistance?
Contact us before returning your item. We're here to help!
609.256.9000 • cs@modway.com

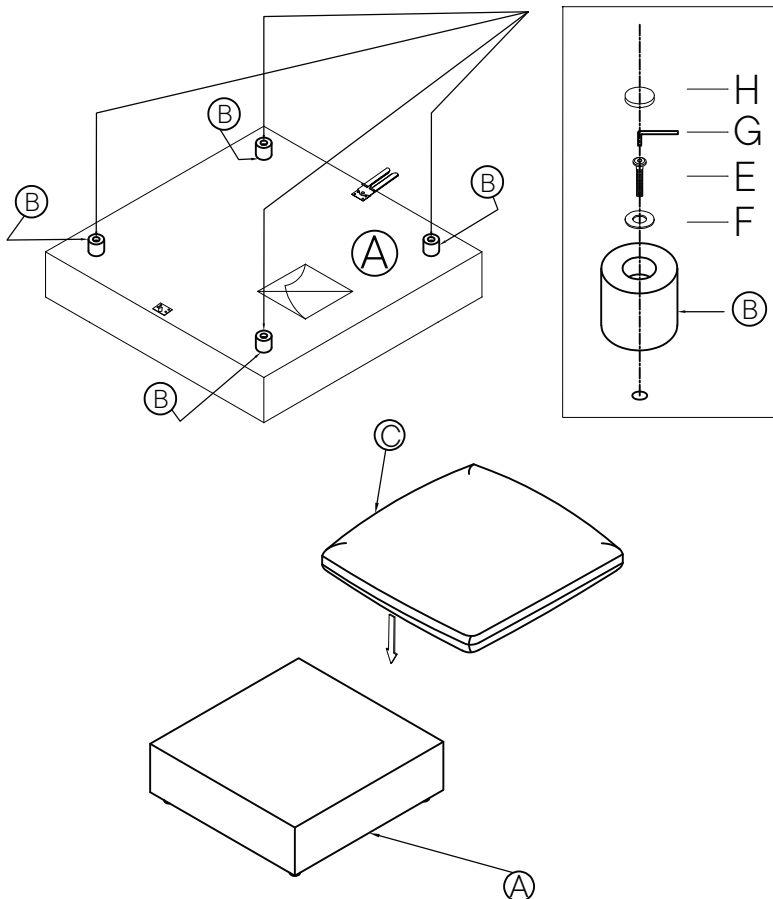
Step 1

COMPONENTS

| | | |
|----------|--------------|----|
| A | Frame Body | x1 |
| B | Leg | x4 |
| C | Seat Cushion | x1 |

HARDWARE

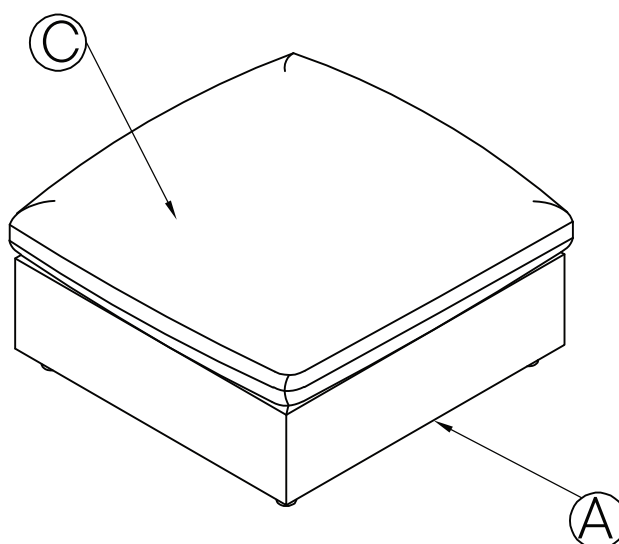
| | | |
|----------|----------------------|----|
| E | Bolt 1/4 x 60mm | x4 |
| F | Flat Washer 1/4x19mm | x4 |
| G | Allen Wrench | x1 |
| H | Felt Pad | x4 |



Step 2

COMPONENTS

| | | |
|----------|--------------|----|
| D | Seat Cushion | x1 |
|----------|--------------|----|



Great job!

Your Ottoman is complete and ready to enjoy.

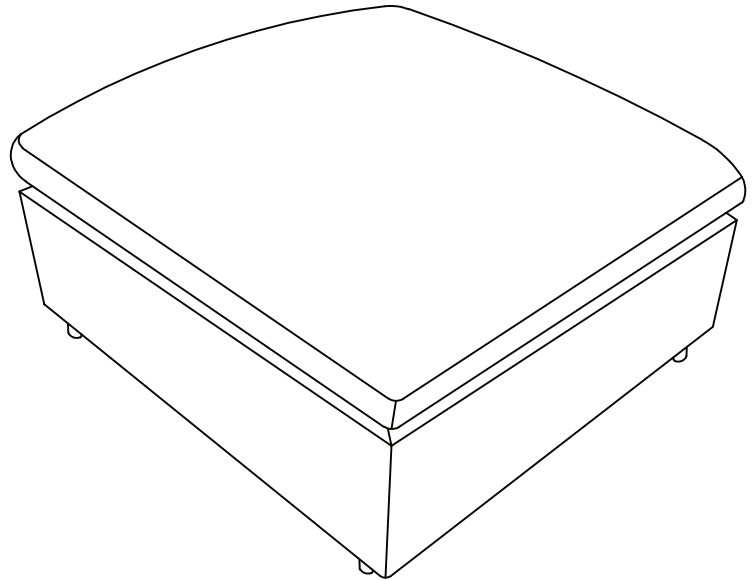
♥ CARING FOR YOUR ITEM

Indoor use.

Not contract grade.

Clean using a non-abrasive cloth and a mild cleaner.

Never use harsh chemicals, as they could damage the finish or integrity of the item.



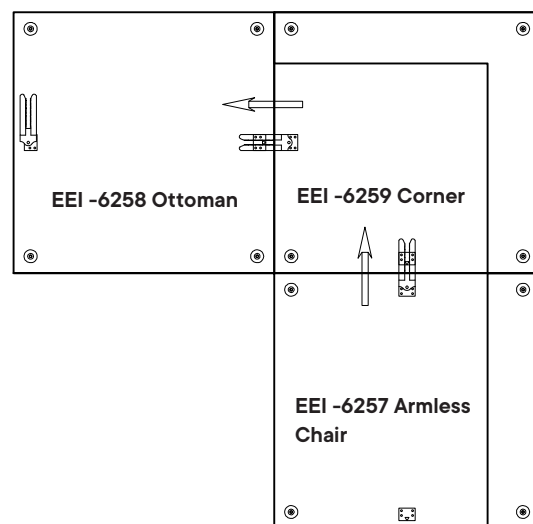
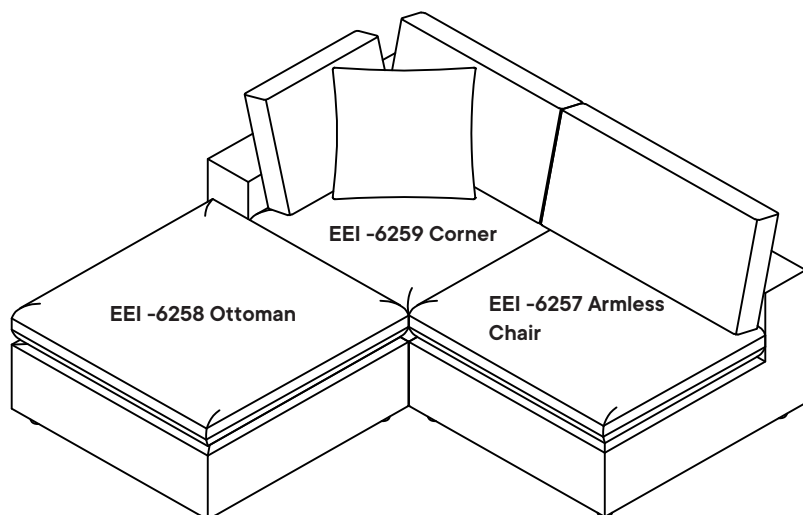
CONNECT WITH US!   

Tag us @modway_furniture and #modway for a chance to be featured.

EEI- 6258 Ottoman with EEI- 6257 Armless Chair, EEI-6259 Corner have three Combination of options as shown below.

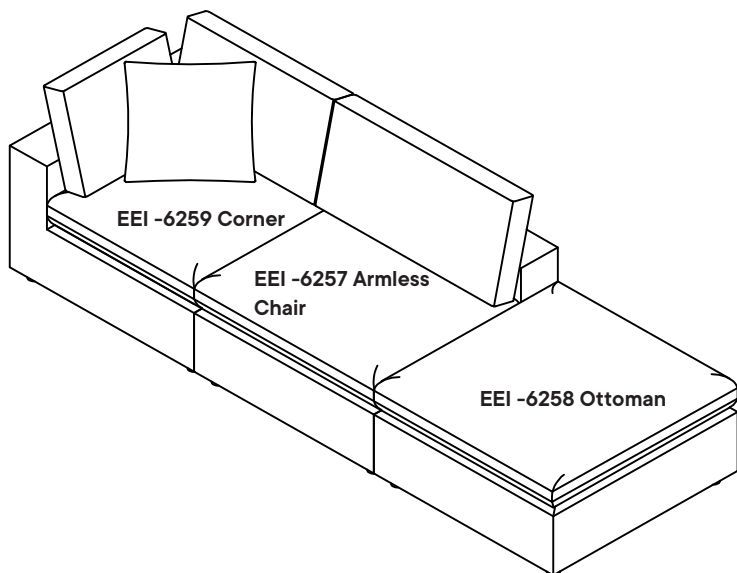
Option A: Align the pre - installed Clip to the pre installed Post as shown.

Push EEI- 6258 Ottoman , EEI-6259 Corner and EEI- 6257 Armless Chair slowly until the Clip and the Post click together tightly

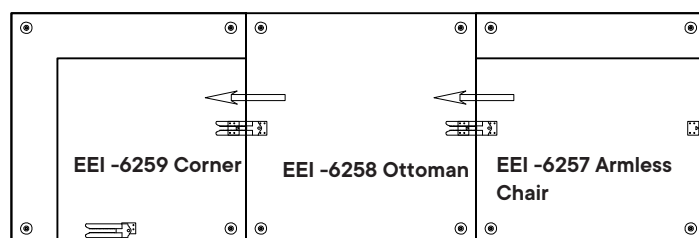
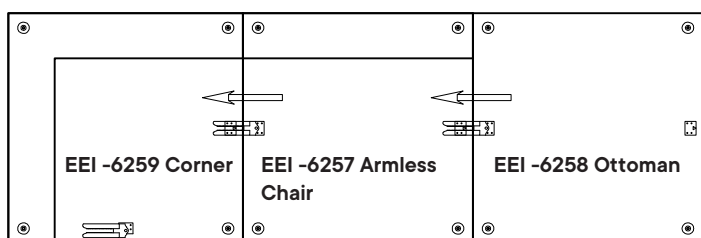
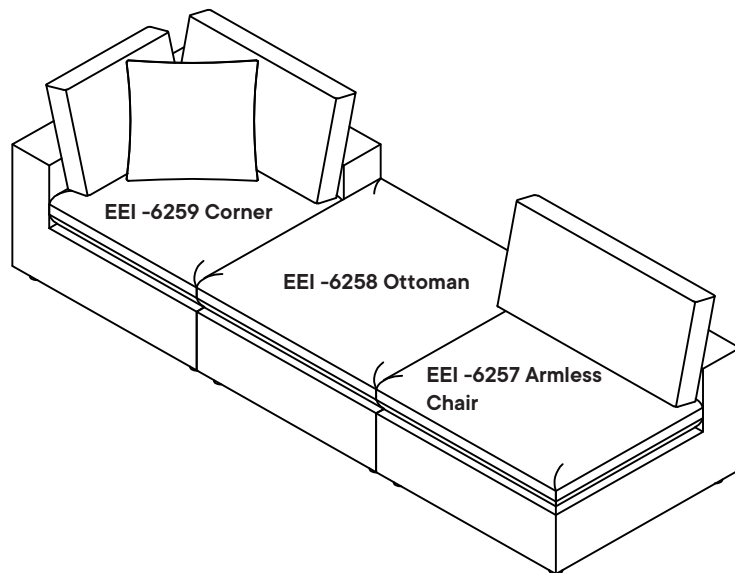


If you want to unlock the sofa Combination: Lift up EEI- 6259 Corner and move EEI- 6258 Ottoman and EEI- 6257 Armless Chair apart from EEI- 6259 Corner.

Option B



Option C

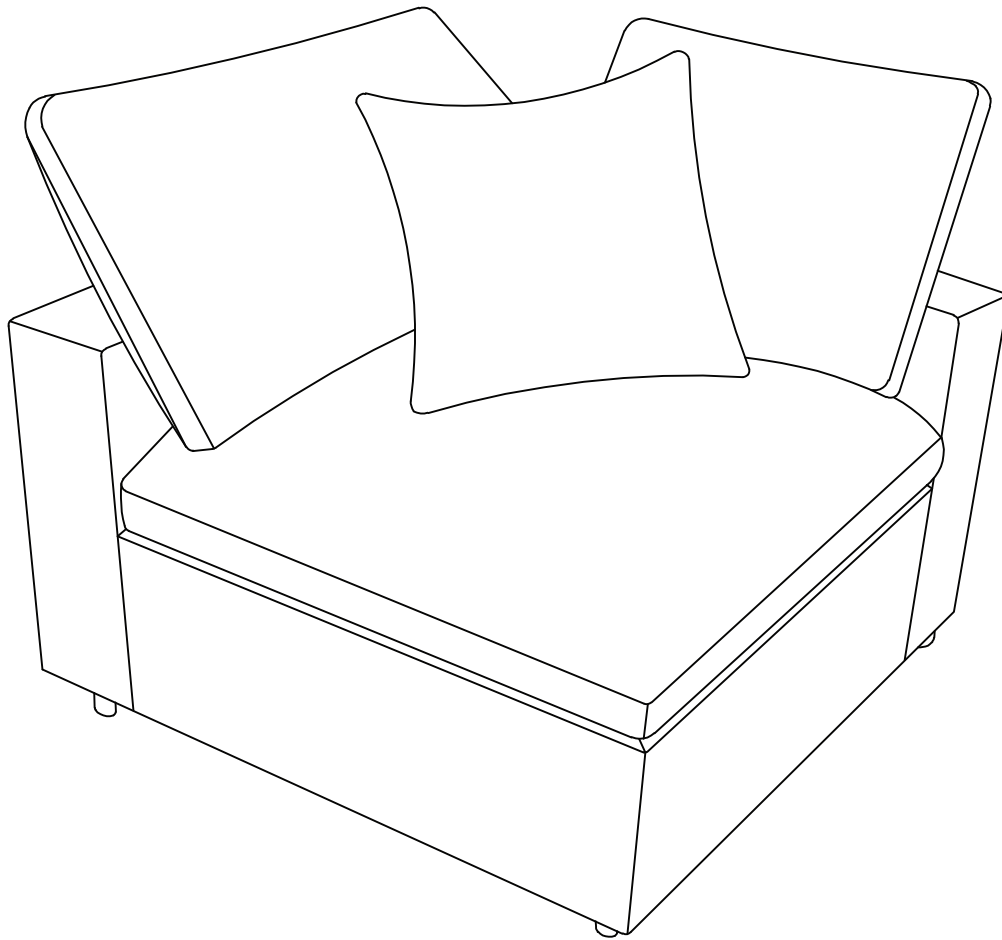


Assembly is complete. The sectional sofa is ready to enjoy now.

ASSEMBLY INSTRUCTIONS

EEI-6259

V1.15.11.23



Questions? Contact us!

609.256.9000 • cs@modway.com
www.modway.com

***modway**

Let's get started!

*modway



Read through all of the instructions before starting



Care instructions are listed in the last step of this manual



Approx. 30 minutes assembly time



Make sure you have all parts and components before discarding any packing materials



2 people recommended for assembly

Only use hand tools to assemble this item. Do not use power tools. Do not tighten bolts or screws completely until all hardware is lined up and inserted into the holes.

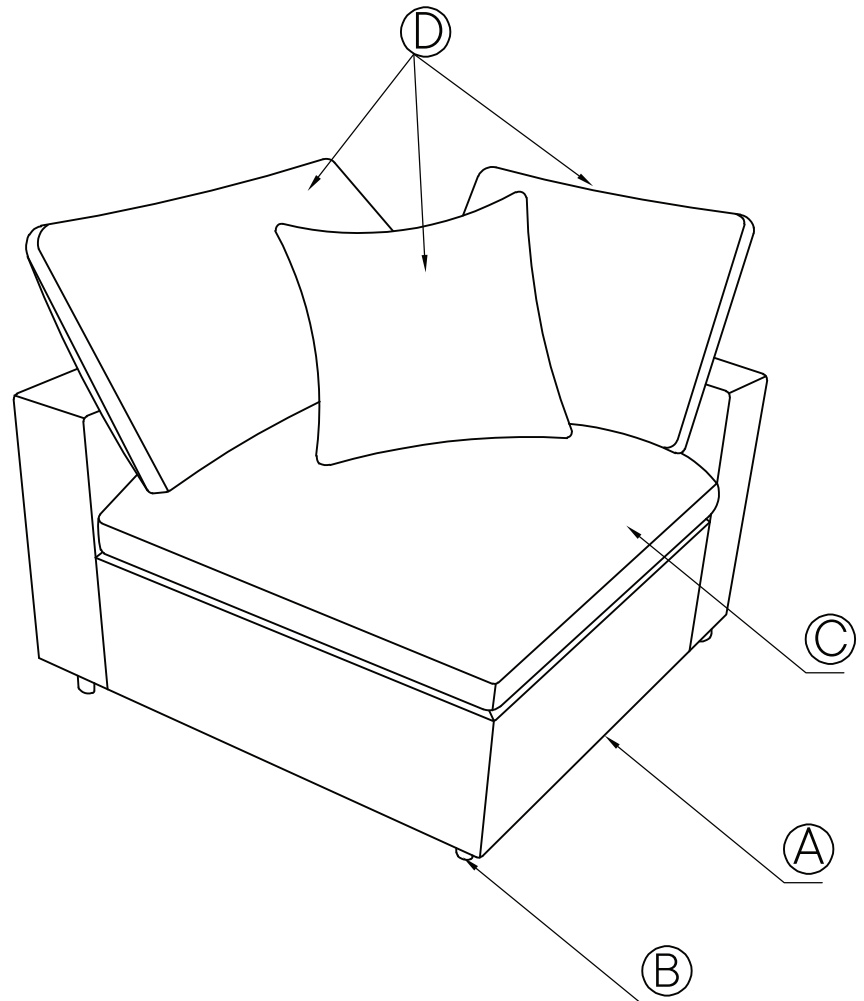
Do not over-tighten screws and bolts to avoid stripping the hardware or cracking the item.

Assemble your item on a flat, carpeted area, with plenty of space to work. This will prevent damage and scratches to your floors or the item while you're assembling the product.

Keep all components and packaging out of reach of children or animals to avoid risk of choking or suffocation.

Furniture components:

| | | |
|---|--------------|---|
| A | Frame Body | x1 |
| B | Leg | x4 |
| C | Seat Cushion | x1 |
| D | Back Cushion | x3 (3 pcs Back cushions for EEI - 6259). |



Provided hardware:

| | | | |
|---|--|----------------------|----|
| E | | Bolt 1/4 x 60mm | x4 |
| F | | Flat Washer 1/4x19mm | x4 |
| G | | Allen Wrench | x1 |
| H | | Felt Pad | x4 |

Wait!

Missing parts or hardware? Need assistance?
Contact us before returning your item. We're here to help!
609.256.9000 • cs@modway.com

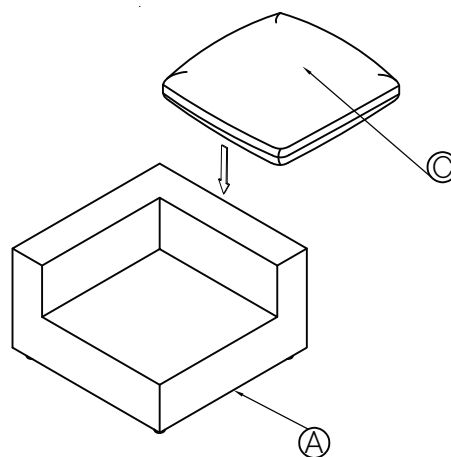
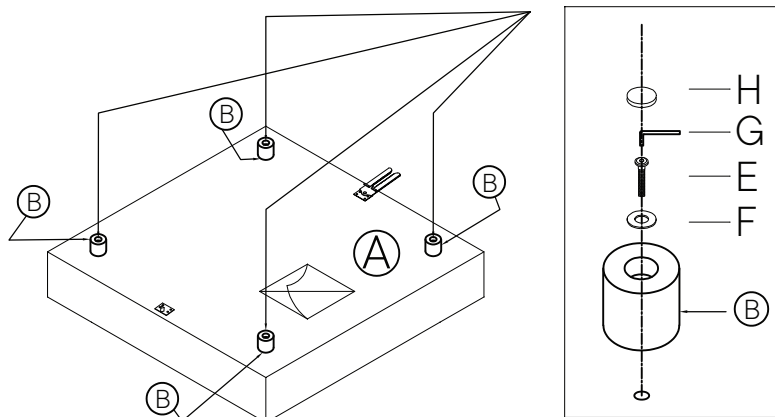
Step 1

COMPONENTS

| | | |
|----------|---|----|
| A | Frame Body | x1 |
| B | Leg | x4 |
| C | Seat Cushion | x1 |
| D | Back Cushion (3 pcs Back cushions for EEI - 6259). | x3 |

HARDWARE

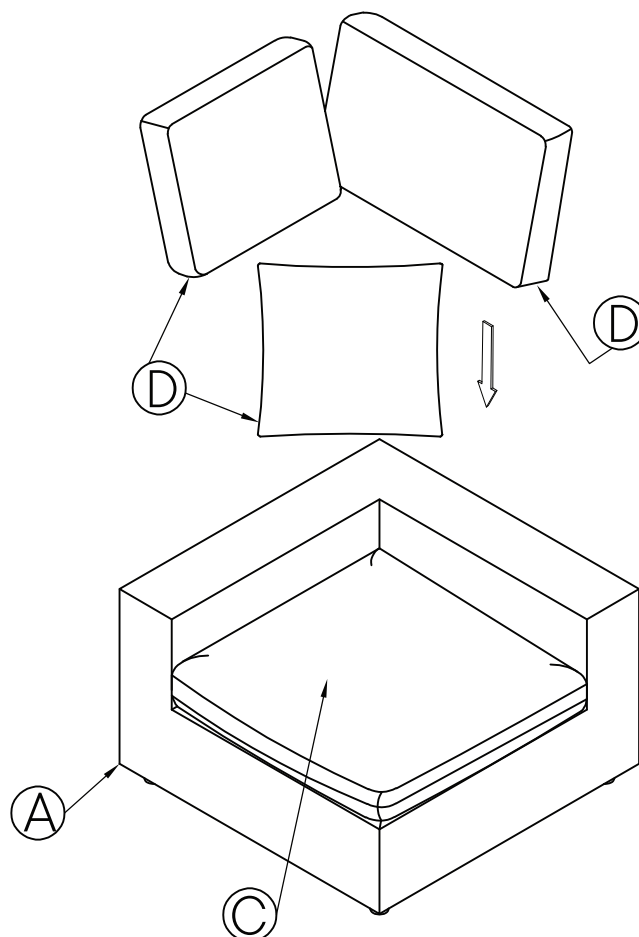
| | | |
|----------|----------------------|----|
| E | Bolt 1/4 x 60mm | x4 |
| F | Flat Washer 1/4x19mm | x4 |
| G | Allen Wrench | x1 |
| H | Felt Pad | x4 |



Step 2

COMPONENTS

| | |
|----------|---|
| D | Back cushion = 3 pcs (3 pcs Back cushions for EEI - 6259). |
|----------|---|



Great job!

Your corner is complete and ready to enjoy.

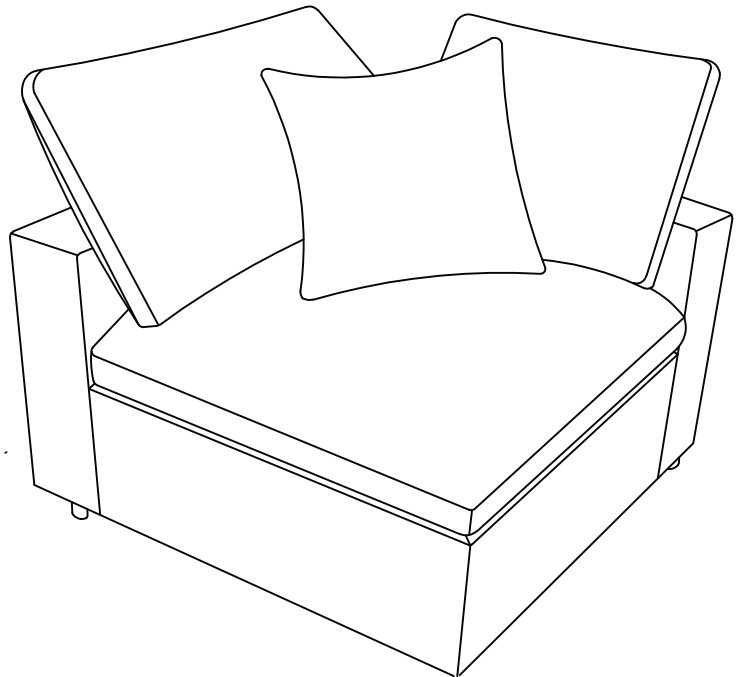
♥ CARING FOR YOUR ITEM

Indoor use.

Not contract grade.

Clean using a non-abrasive cloth and a mild cleaner.

Never use harsh chemicals, as they could damage the finish or integrity of the item.



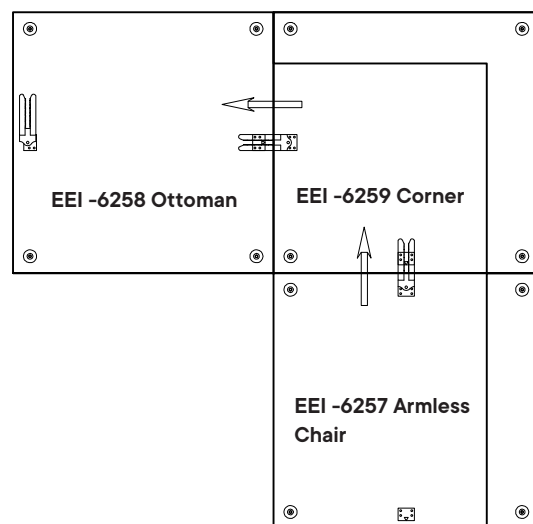
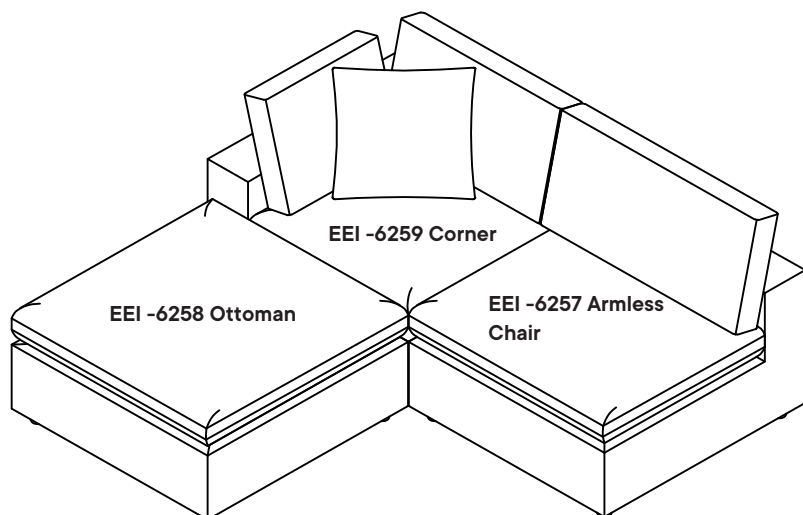
CONNECT WITH US!   

Tag us @modway_furniture and #modway for a chance to be featured.

EEI- 6258 Ottoman with EEI- 6257 Armless Chair, EEI-6259 Corner have three Combination of options as shown below.

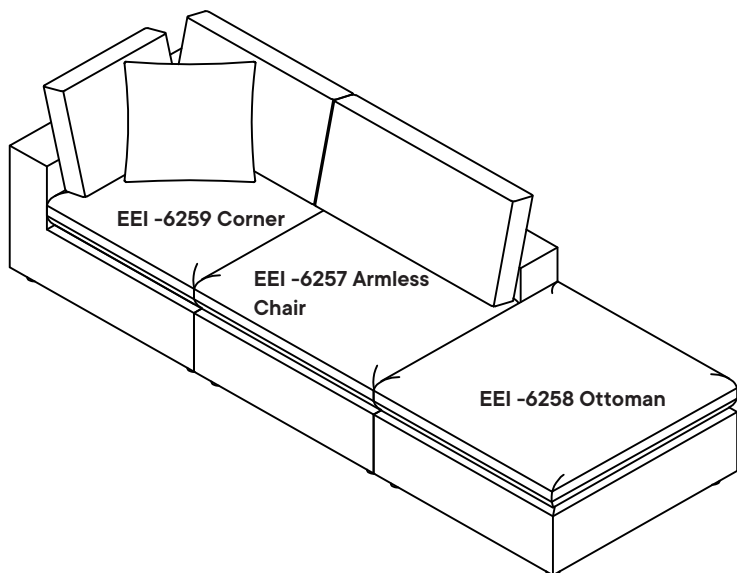
Option A: Align the pre - installed Clip to the pre installed Post as shown.

Push EEI- 6258 Ottoman , EEI-6259 Corner and EEI- 6257 Armless Chair slowly until the Clip and the Post click together tightly

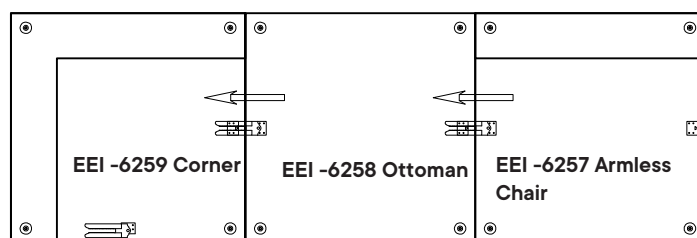
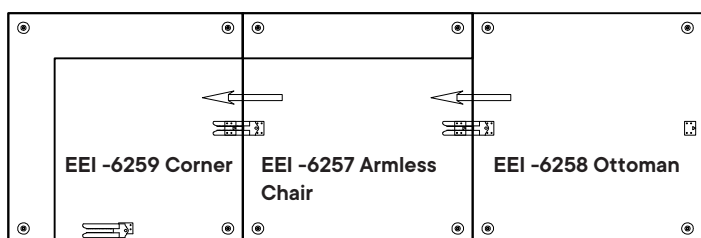
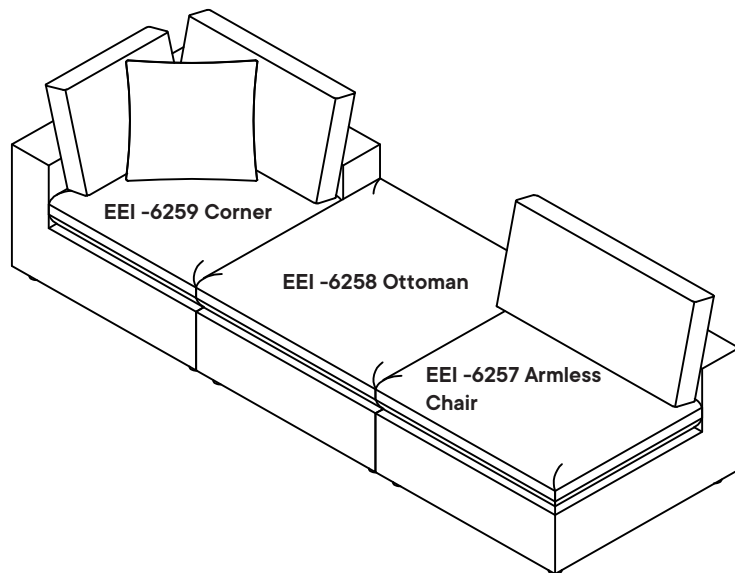


If you want to unlock the sofa Combination: Lift up EEI- 6259 Corner and move EEI- 6258 Ottoman and EEI- 6257 Armless Chair apart from EEI- 6259 Corner.

Option B



Option C



Assembly is complete. The sectional sofa is ready to enjoy now.