

ASSEMBLY INSTRUCTIONS

# Bench

EEl-6345 / V1.01.27.23

---

**modway**



Questions? Contact us!

609.256.9000

[cs@modway.com](mailto:cs@modway.com)

# Welcome.

## Let's get started.

Before you begin, here are some things to keep in mind:

Assembly will take most people **about 20 minutes**. Consider having a friend help you!

**Only use hand tools to assemble this item.** Do not use power tools. Do not tighten bolts or screws completely until all hardware is lined up and inserted into the holes.

**Read through all of the instructions before starting. Make sure you have all parts and components before discarding any packing materials.**

Do not over-tighten screws and bolts to avoid stripping the hardware or cracking the item.

Assemble your item on a flat, carpeted area, with plenty of space to work. This will prevent damage and scratches to your floors or the item while you're assembling the product.

Keep all components and packaging out of reach of children or animals to avoid risk of choking or suffocation.


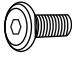



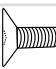

**Care instructions are listed in the last step of this manual.**

**WAIT!**

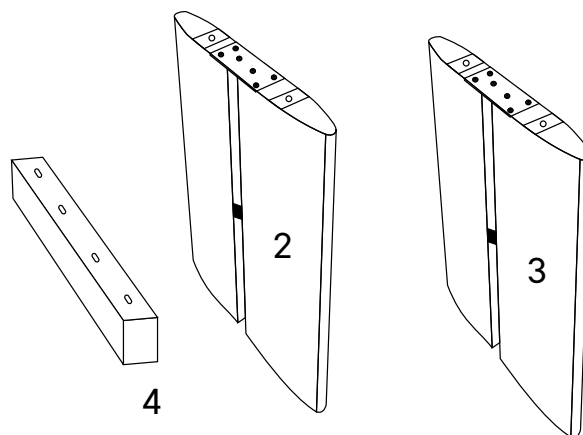
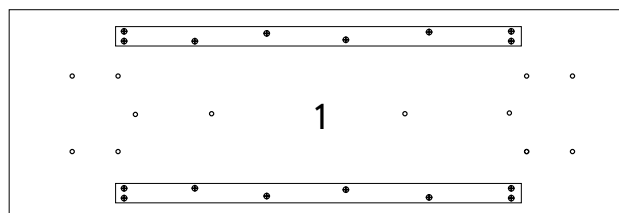
Missing parts or hardware? Need assistance?  
Contact us before returning your item.  
We're here to help!



## HARDWARE INCLUDED IN THE BOX:

A		Allen Key	x1
B		Allen Bolt M8x20 mm	x16
C		Flat Washer M8	x12
D		Allen Bolt M8 x 50 mm	x4
E		Top Fixing Plate 150 x 150 x 4 mm	x4
F		CSK Bolt M8x25 mm	x4
G		Felt Pad (Extra Felt Pad replacements)	x4

## FURNITURE COMPONENTS:



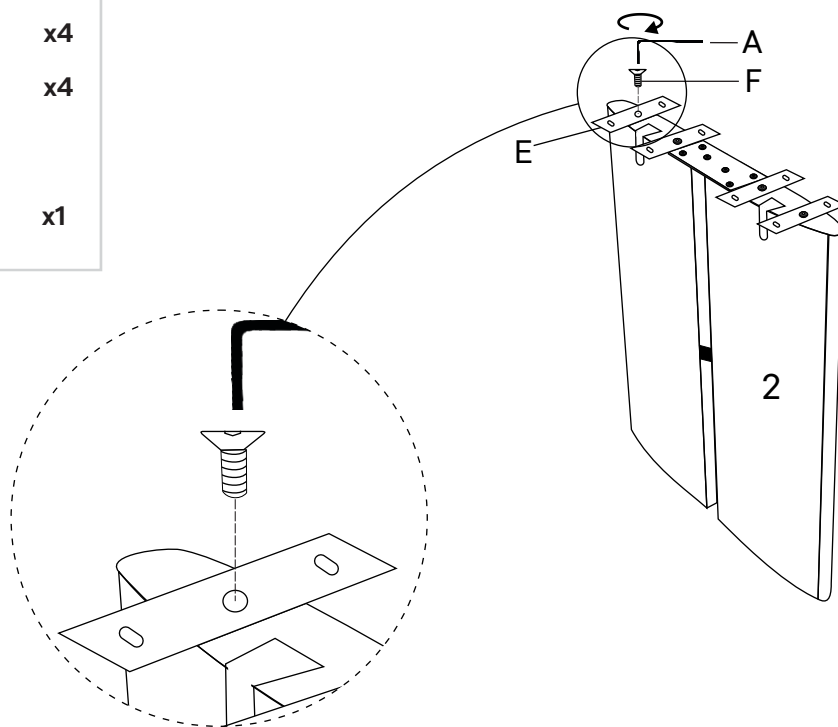
1	Top Panel	x1
2	Left Leg	x1
3	Right Leg	x1
4	Bottom Support	x1

## HARDWARE

- A** Allen key M5 x1
- E** Top fixing plate CSK x4
- F** Bolt M8 x 25 mm x4

## COMPONENTS

- 2** Left Leg x1



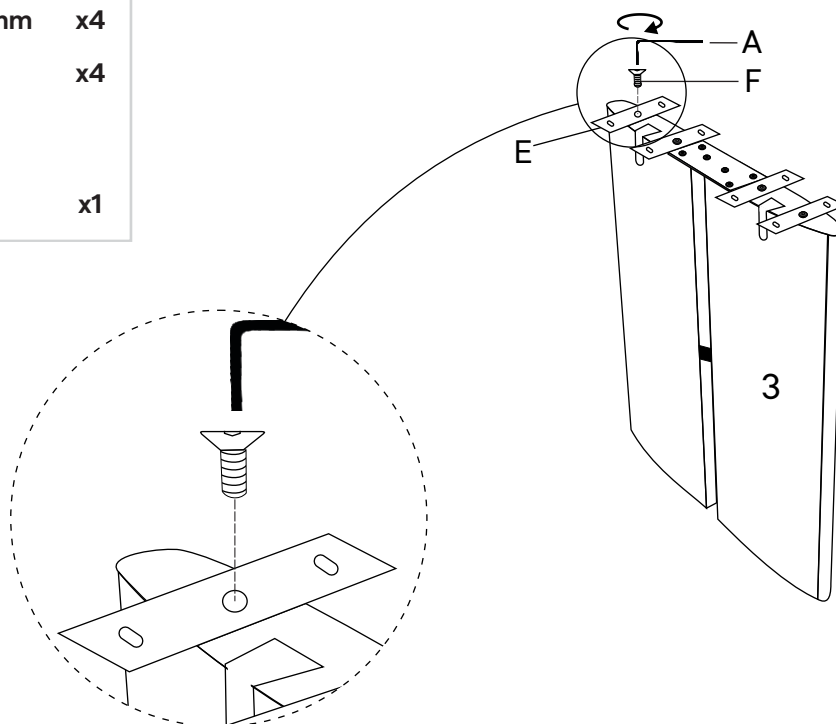
## STEP 02

## HARDWARE

- A** Allen key M5 x1
- E** Top Fixing Plate 150 x 50 x 4mm x4
- F** CSK Bolt M8 x 25 mm x4

## COMPONENTS

- 3** Right Legs x1

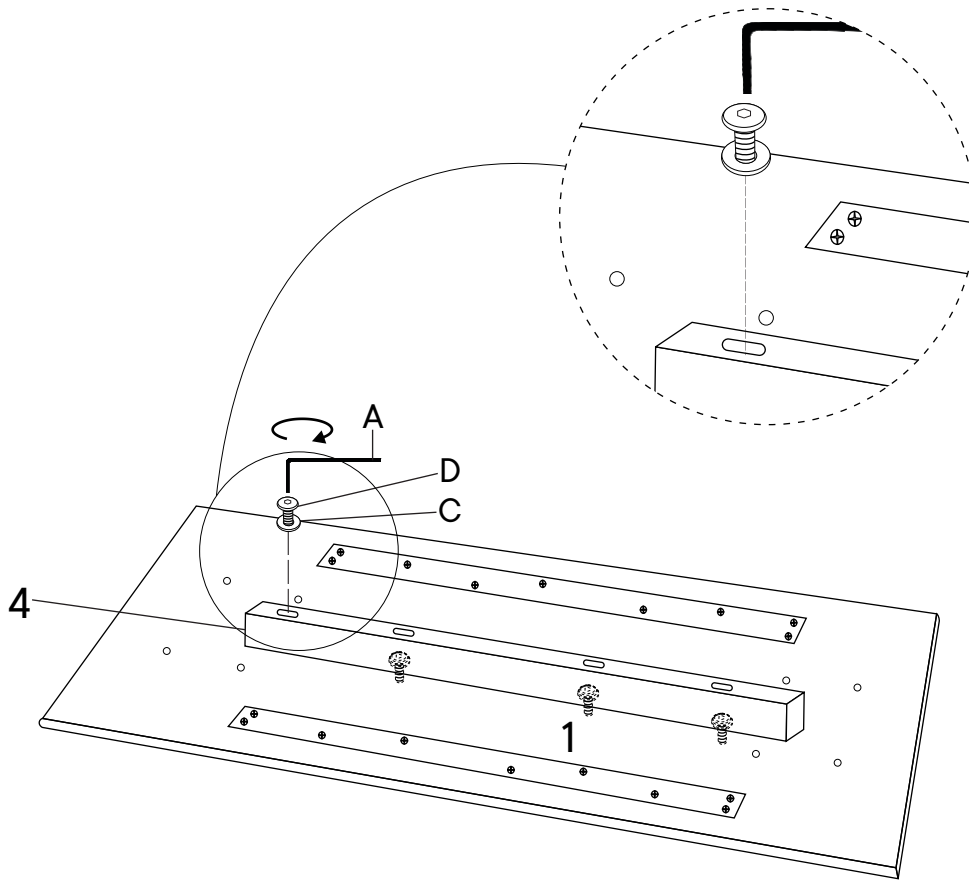


## HARDWARE

<b>A</b> Allen key M5	x1
<b>C</b> Flat Washer M8	x4
<b>D</b> Bolt M8 x 50mm	x4

## COMPONENTS

<b>1</b> Top Panel	x1
<b>4</b> Bottom Panel	x1

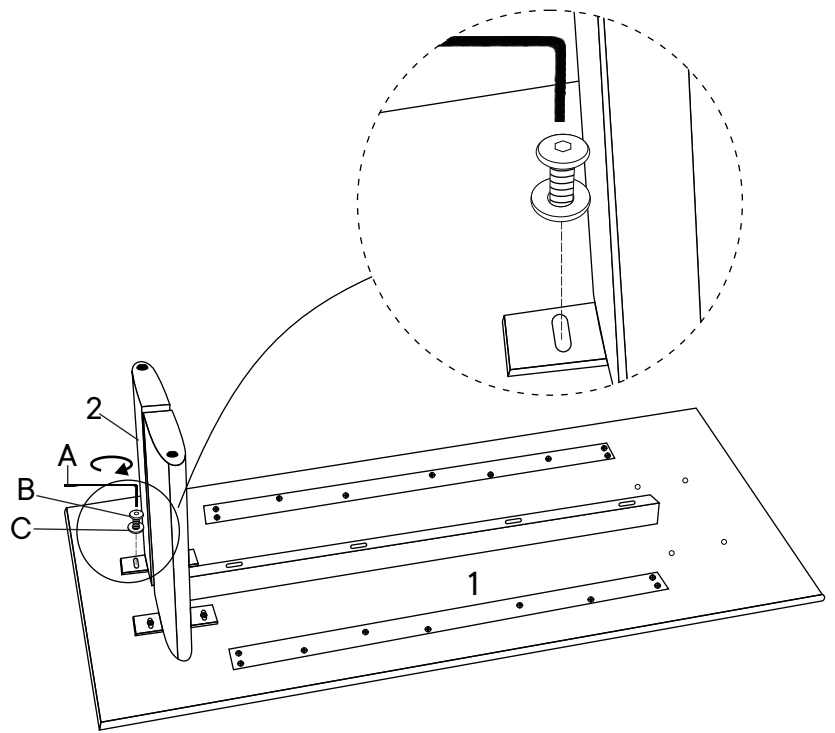


**HARDWARE**

- A** Allen key M5 x1
- B** Allen Bolt M8 x 20mm x4
- C** Flat Washer M8 x4

**COMPONENTS**

- 1** Top Panel x1
- 2** Left Leg x1



STEP 05

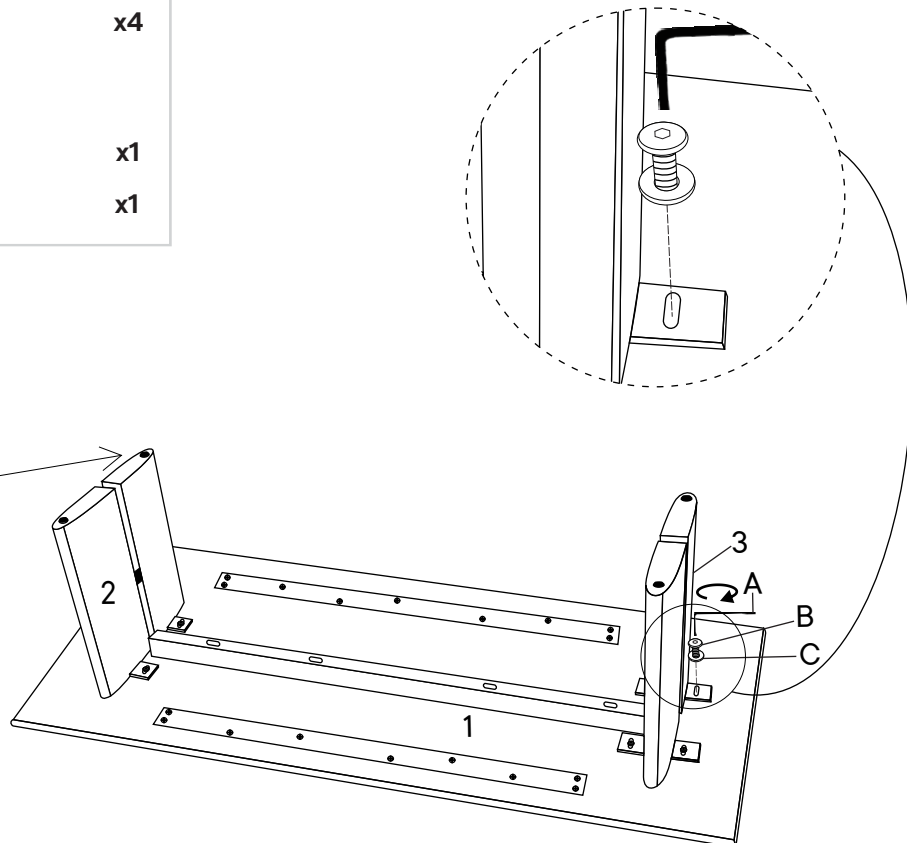
**HARDWARE**

- A** Allen key M5 x1
- B** Allen Bolt M8 x 20mm x4
- C** Flat Washer M8 x4

**COMPONENTS**

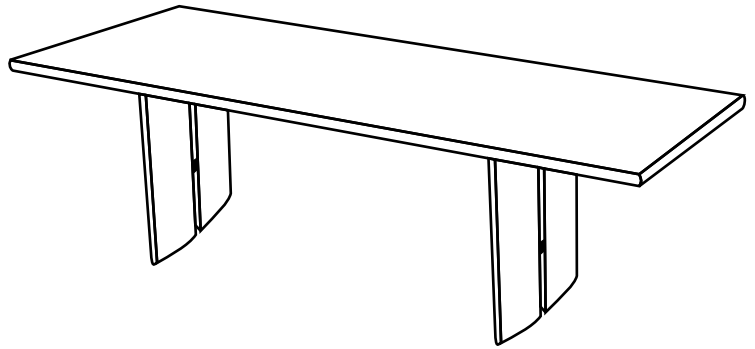
- 1** Top Panel x1
- 3** Right Leg x1

Pre-attached felt pad



# Great job!

Your new bench is complete.



## CARING FOR YOUR ITEM

- Indoor use only.
- Not contract grade.
- Clean using a non-abrasive cloth and a mild cleaner.
- Never use harsh chemicals, as they could damage the finish or integrity of the item.



## CONNECT WITH US!

Tag us @modway\_furniture and #modway for a chance to be featured.

# modway



Questions? Contact us!  
609.256.9000  
cs@modway.com