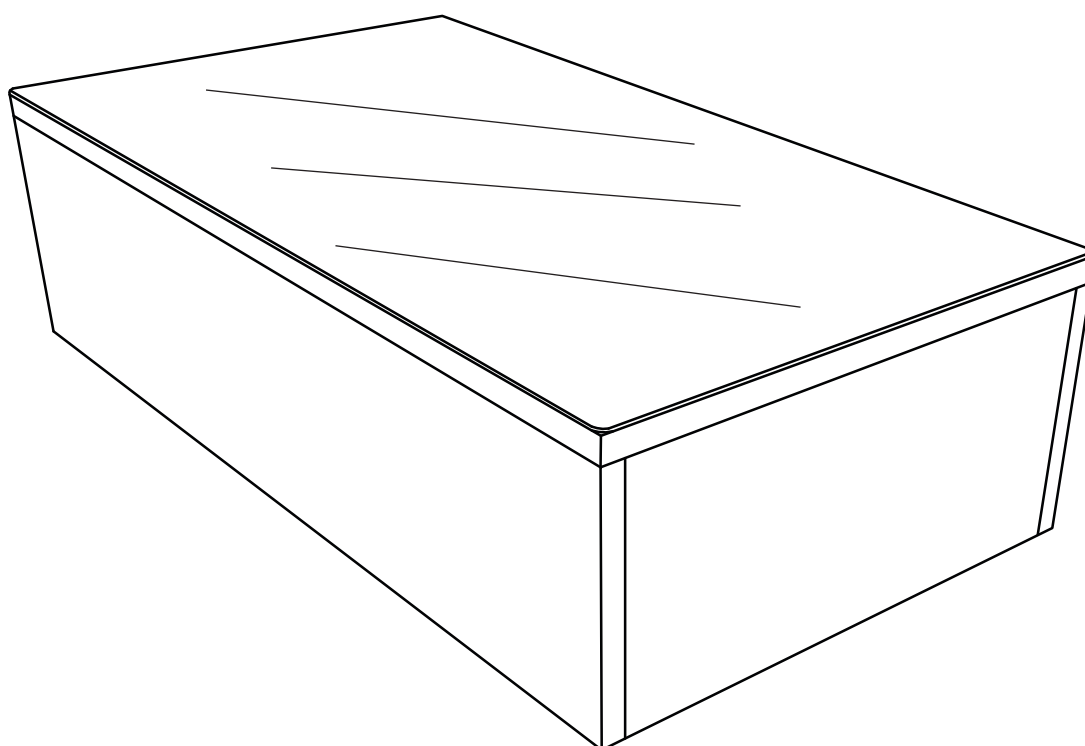


ASSEMBLY INSTRUCTIONS

EEI-6239

V1.04.03.23



Questions? Contact us!

609.256.9000 • cs@modway.com
www.modway.com

*modway

Let's get started!

*modway



Read through all of the instructions before starting



Care instructions are listed in the last step of this manual



Approx. 30 minutes assembly time



Make sure you have all parts and components before discarding any packing materials



2 people recommended for assembly

Only use hand tools to assemble this item. Do not use power tools. Do not tighten bolts or screws completely until all hardware is lined up and inserted into the holes.

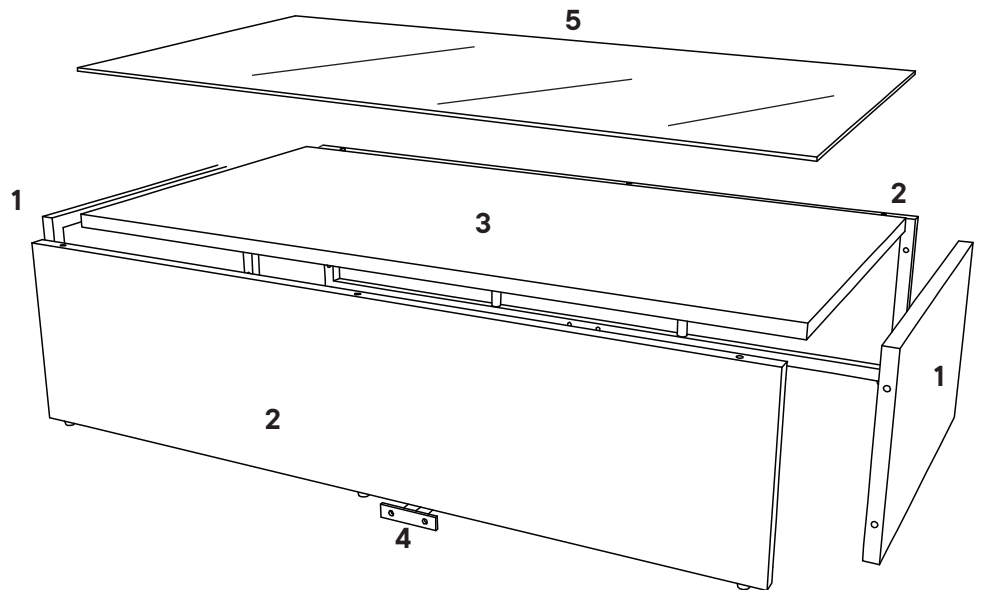
Do not over-tighten screws and bolts to avoid stripping the hardware or cracking the item.

Assemble your item on a flat, carpeted area, with plenty of space to work. This will prevent damage and scratches to your floors or the item while you're assembling the product.

Keep all components and packaging out of reach of children or animals to avoid risk of choking or suffocation.

Furniture components:

1	Short Side Panel	x2
2	Long Side Panel	x2
3	Table Surface	x1
4	Bottom Support	x1
5	Glass	x1



Provided hardware:

A		Bolt M6 x 20mm	x4
B		Bolt M6 x 40mm	x14
C		Flat Washer M6	x18
D		Allen Wrench	x1

Wait!

Missing parts or hardware? Need assistance?
Contact us before returning your item. We're here to help!
609.256.9000 • cs@modway.com

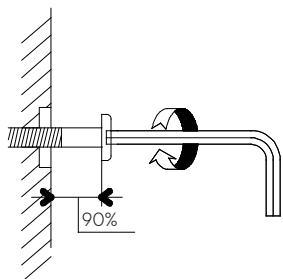
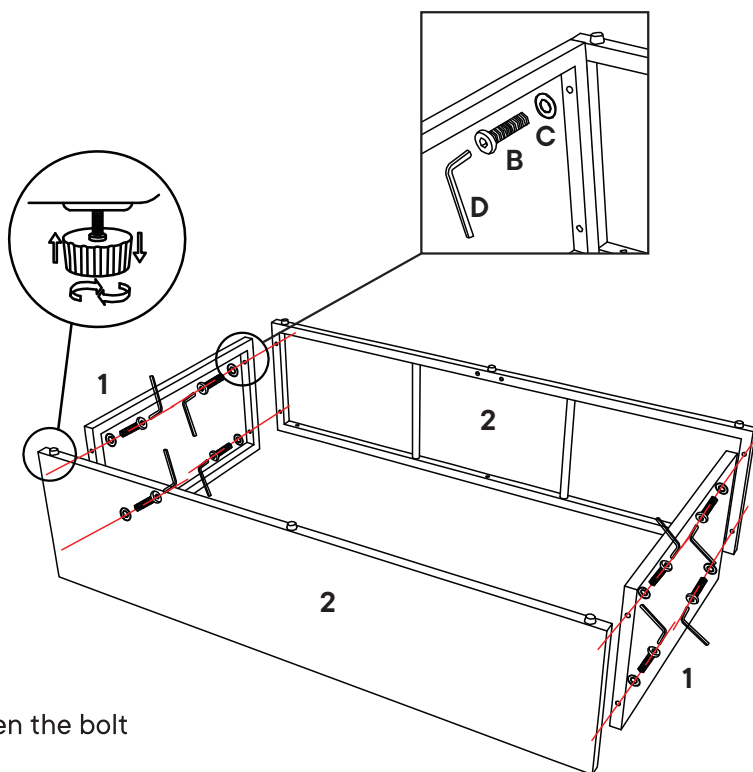
Step 1

COMPONENTS

- ① Short Side Panel x2
- ② Long Side Panel x2

HARDWARE

- Ⓑ Bolt M6 x 40mm x8
- Ⓒ Flat Washer M6 x8
- Ⓓ Allen Wrench x1



NOTE : Do not fully tighten the bolt

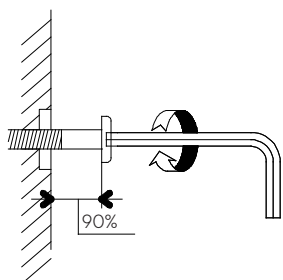
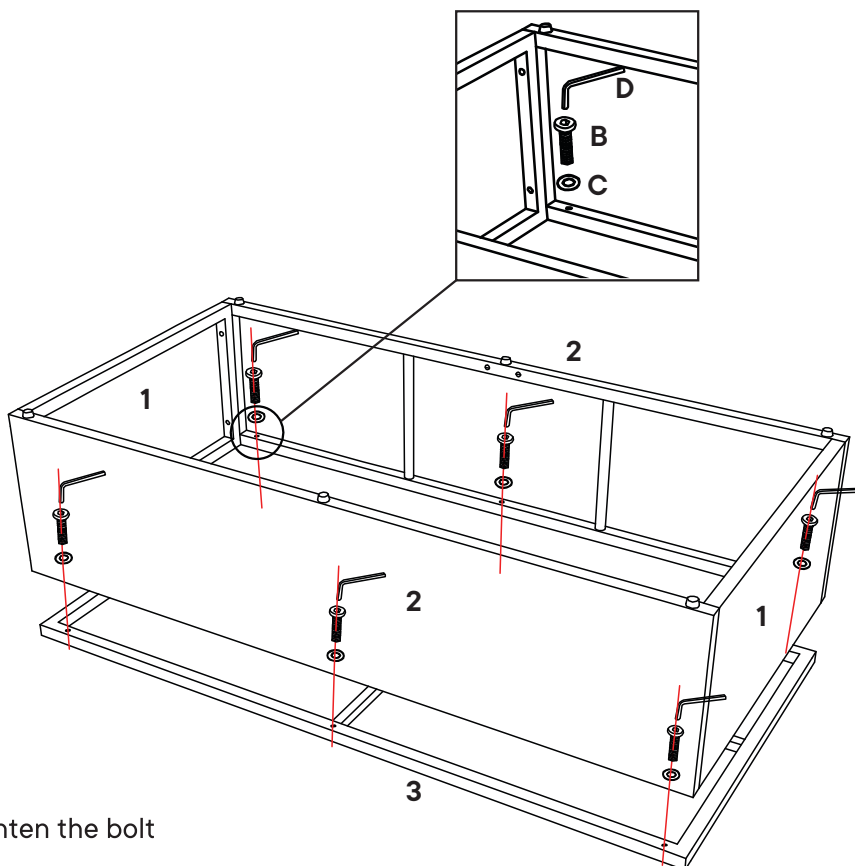
Step 2

COMPONENTS

- ① Short Side Panel x2
- ② Long Side Panel x2
- ③ Table Surface x1

HARDWARE

- Ⓑ Bolt M6 x 40mm x6
- Ⓒ Flat Washer M6 x6
- Ⓓ Allen Wrench x1



NOTE : Do not fully tighten the bolt

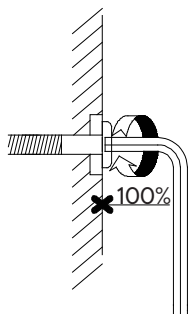
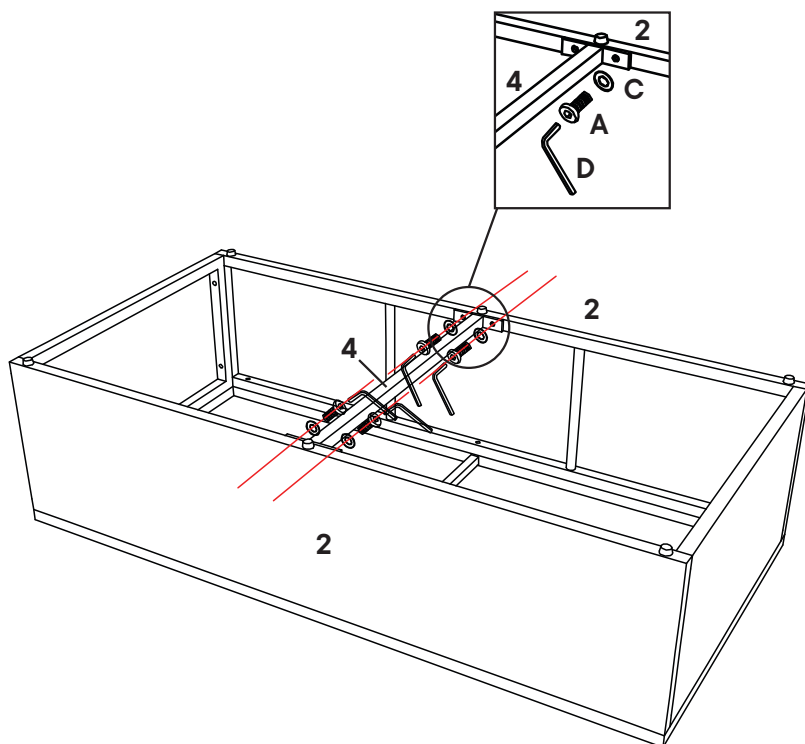
Step 3

COMPONENTS

- 2 Long Side Panel x2
- 4 Bottom Support x1

HARDWARE

- A Bolt M6 x 20mm x4
- C Flat Washer M6 x4
- D Allen Wrench x1

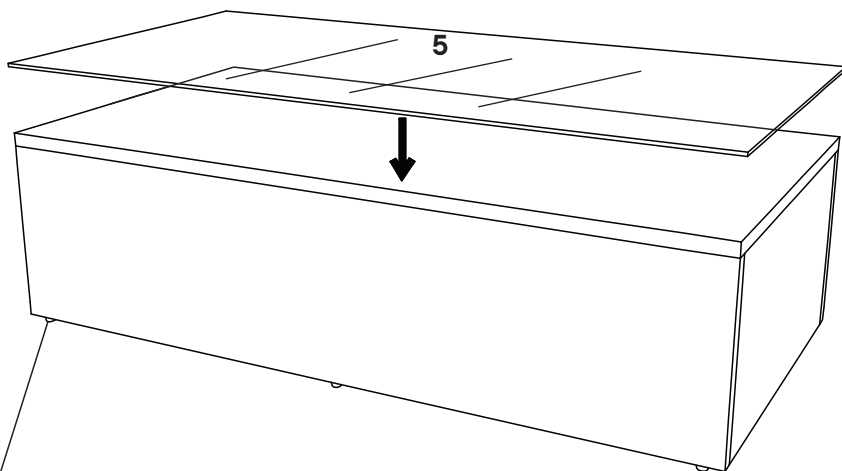


NOTE: Fully tighten all bolts.

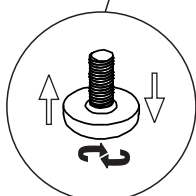
Step 4

COMPONENTS

- 5 Glass x1



Notes: If there is un-stable, it may be caused by an uneven floor, which can be adjusted by Leveller.



Great job!

Your coffee table is complete and ready to enjoy.

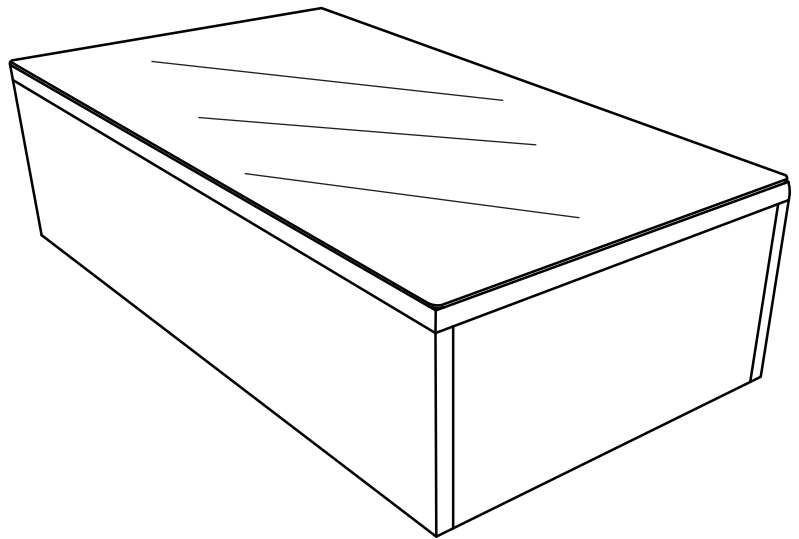
♥ CARING FOR YOUR ITEM

Indoor use only.

Not contract grade.

Clean using a non-abrasive cloth and a mild cleaner.

Never use harsh chemicals, as they could damage the finish or integrity of the item.



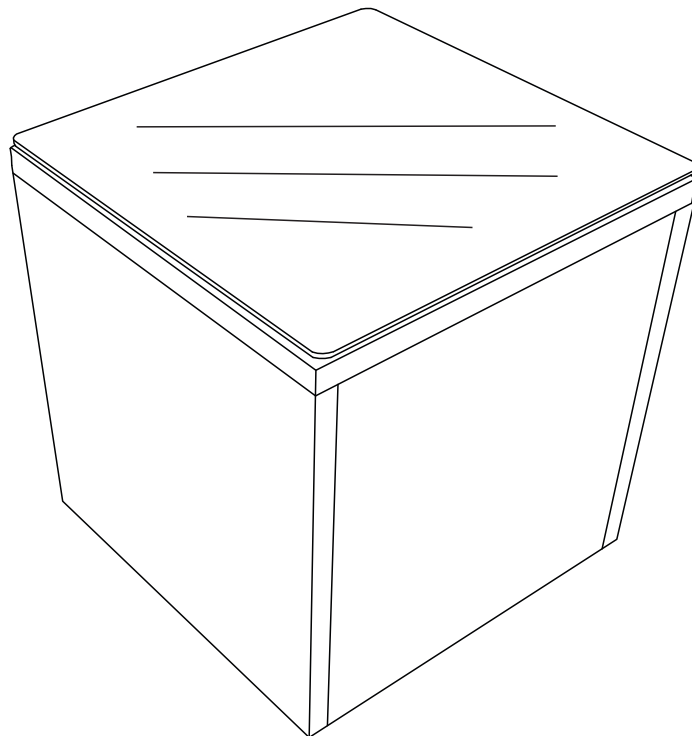
CONNECT WITH US!   

Tag us @modway_furniture and #modway for a chance to be featured.

ASSEMBLY INSTRUCTIONS

EEI-6240

V1.04.03.23



Questions? Contact us!

609.256.9000 • cs@modway.com
www.modway.com

*modway

Let's get started!

*modway



Read through all of the instructions before starting



Care instructions are listed in the last step of this manual



Approx. 30 minutes assembly time



Make sure you have all parts and components before discarding any packing materials



2 people recommended for assembly

Only use hand tools to assemble this item. Do not use power tools. Do not tighten bolts or screws completely until all hardware is lined up and inserted into the holes.

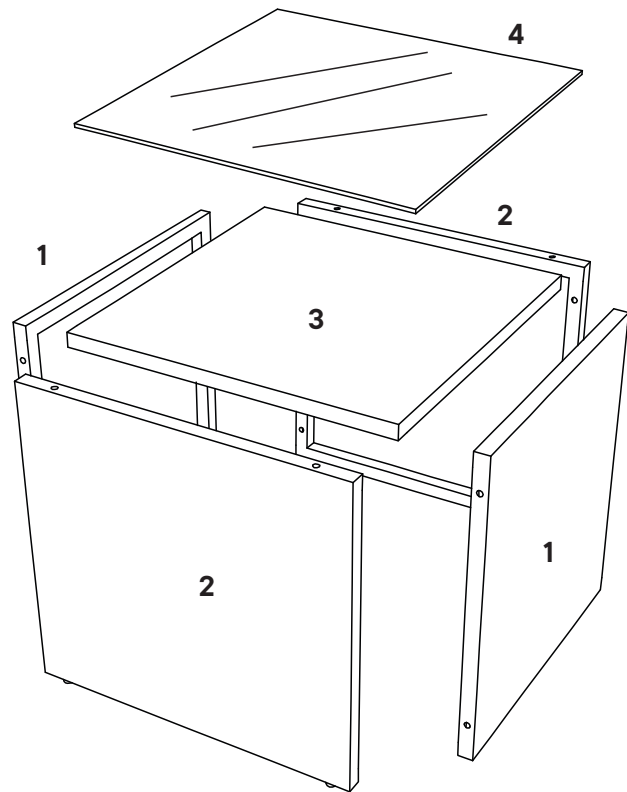
Do not over-tighten screws and bolts to avoid stripping the hardware or cracking the item.

Assemble your item on a flat, carpeted area, with plenty of space to work. This will prevent damage and scratches to your floors or the item while you're assembling the product.




Keep all components and packaging out of reach of children or animals to avoid risk of choking or suffocation.

Furniture components:

1	Short Side Panel	x2
2	Long Side Panel	x2
3	Table Surface	x1
4	Glass	x1



Provided hardware:

A		Bolt M6 x 40mm	x12
B		Flat Washer M6	x12
C		Allen Wrench	x1

Wait!

Missing parts or hardware? Need assistance?
Contact us before returning your item. We're here to help!
609.256.9000 • cs@modway.com

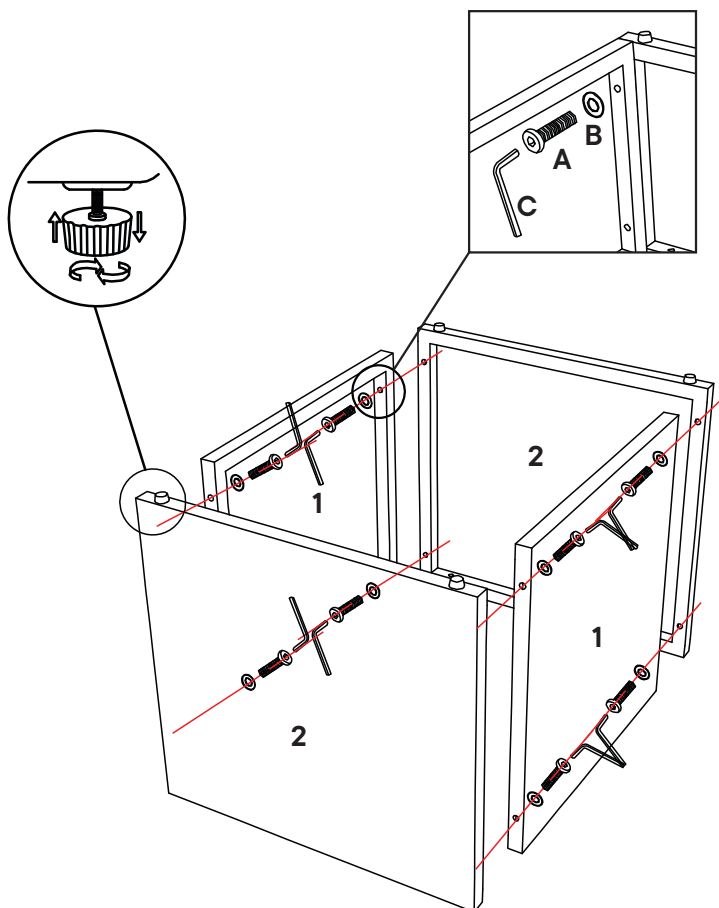
Step 1

COMPONENTS

- ① Short Side Panel x2
- ② Long Side Panel x2

HARDWARE

- Ⓐ Bolt M6 x 40mm x8
- Ⓑ Flat Washer M6 x8
- Ⓒ Allen Wrench x1



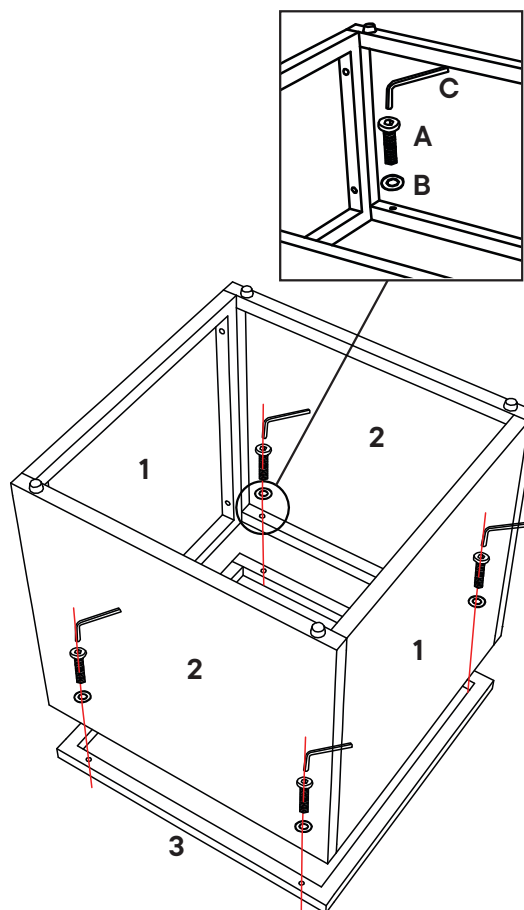
Step 2

COMPONENTS

- ① Short Side Panel x2
- ② Long Side Panel x2
- ③ Table Surface x1

HARDWARE

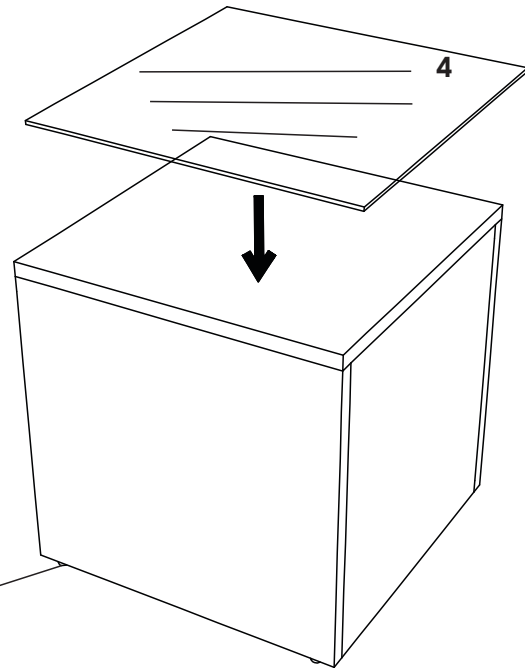
- Ⓐ Bolt M6 x 40mm x6
- Ⓑ Flat Washer M6 x6
- Ⓒ Allen Wrench x1



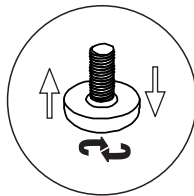
Step 3

COMPONENTS

4 Glass x1



Notes: If there is un-stable, it may be caused by an uneven floor, which can be adjusted by Leveller.



Great job!

Your side table is complete and ready to enjoy.

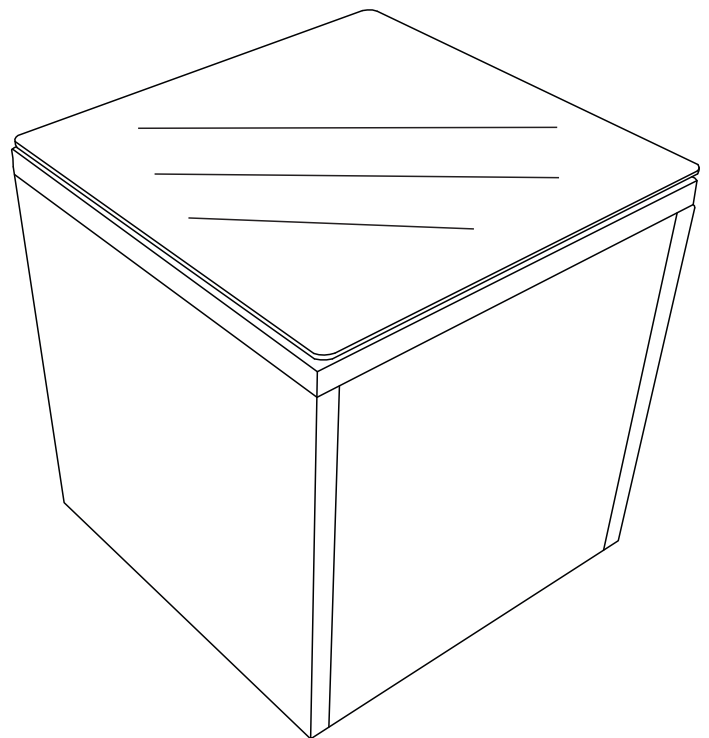
♥ CARING FOR YOUR ITEM

Indoor use only.

Not contract grade.

Clean using a non-abrasive cloth and a mild cleaner.

Never use harsh chemicals, as they could damage the finish or integrity of the item.



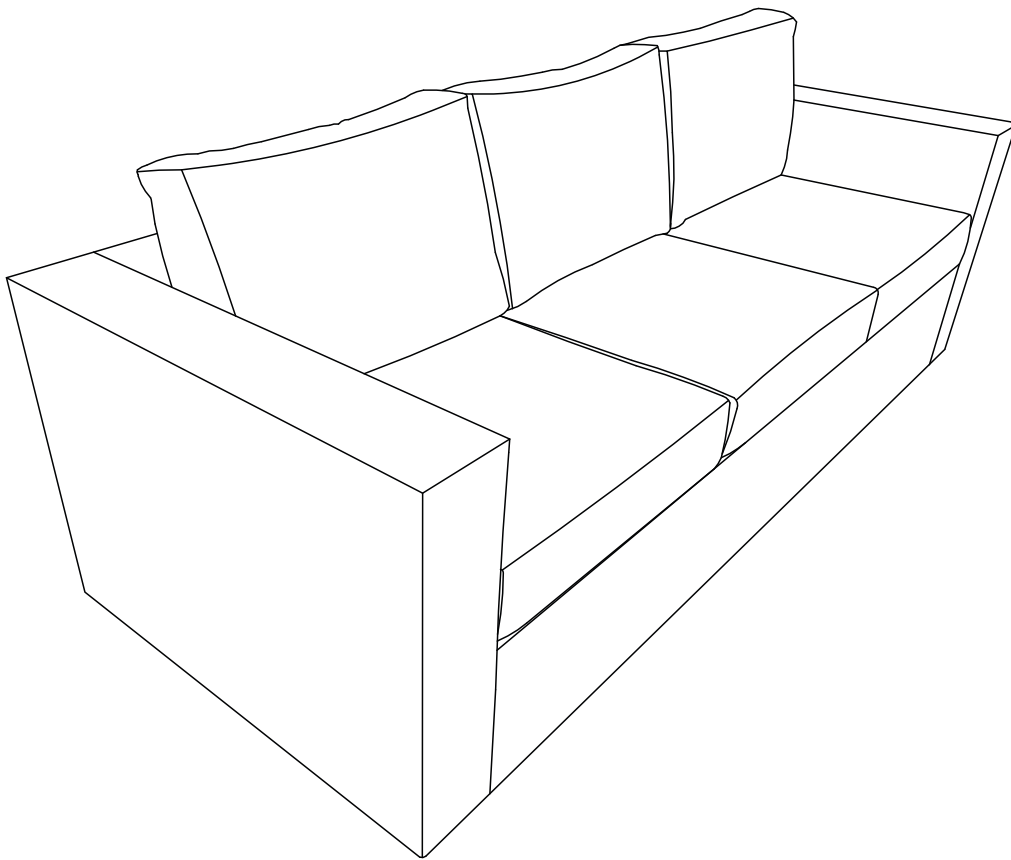
CONNECT WITH US!   

Tag us @modway_furniture and #modway for a chance to be featured.

ASSEMBLY INSTRUCTIONS

EEI-6245

V1.04.03.23



Questions? Contact us!

609.256.9000 • cs@modway.com
www.modway.com

*modway

Let's get started!

*modway



Read through all of the instructions before starting



Care instructions are listed in the last step of this manual



Approx. 60 minutes assembly time



Make sure you have all parts and components before discarding any packing materials



2 people recommended for assembly

Only use hand tools to assemble this item. Do not use power tools. Do not tighten bolts or screws completely until all hardware is lined up and inserted into the holes.

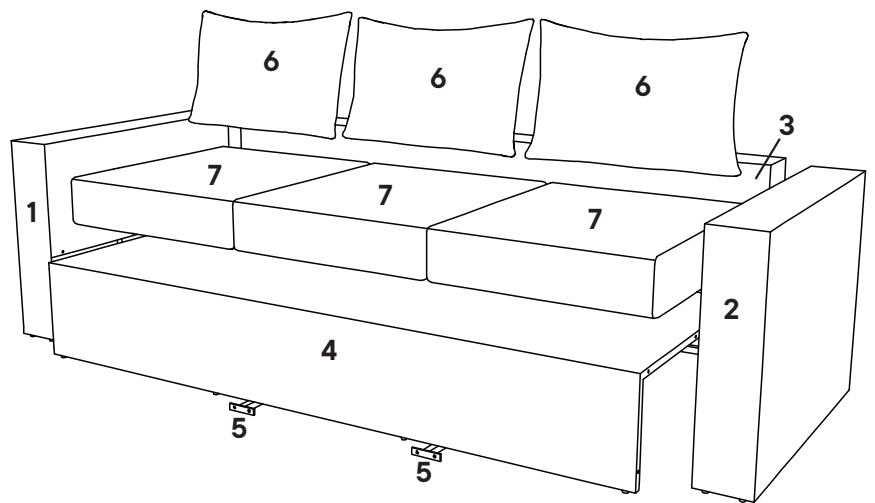
Do not over-tighten screws and bolts to avoid stripping the hardware or cracking the item.

Assemble your item on a flat, carpeted area, with plenty of space to work. This will prevent damage and scratches to your floors or the item while you're assembling the product.

Keep all components and packaging out of reach of children or animals to avoid risk of choking or suffocation.

Furniture components:

1	Left Armrest	x1
2	Right Armrest	x1
3	Backseat	x1
4	Base	x1
5	Bottom Support	x2
6	Back Cushion	x3
7	Seat Cushion	x3



Provided hardware:

A		Bolt M6 x 20mm	x8
B		Bolt M6 x 40mm	x18
C		Flat Washer M6	x26
D		Allen Wrench	x1

Wait!

Missing parts or hardware? Need assistance?
Contact us before returning your item. We're here to help!
609.256.9000 • cs@modway.com

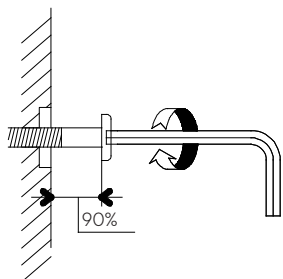
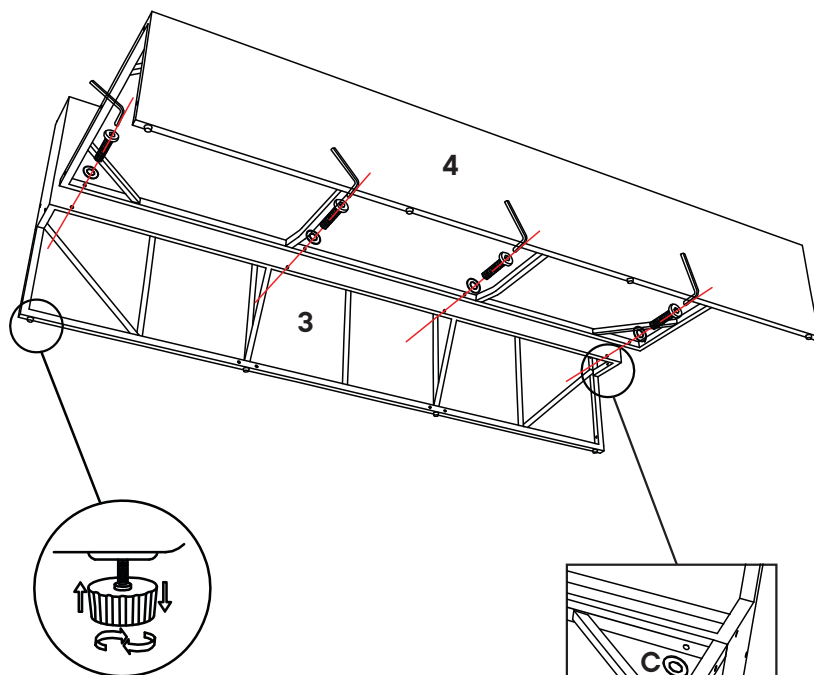
Step 1

COMPONENTS

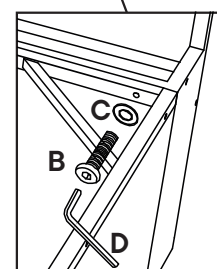
- 3** Backseat x1
- 4** Base x1

HARDWARE

- B** Bolt M6 x 40mm x4
- C** Flat Washer M6 x4
- D** Allen Wrench x1



NOTE : Do not fully tighten the bolt



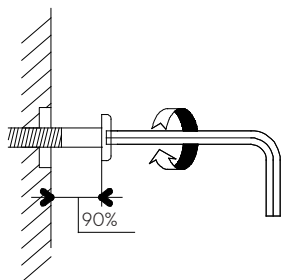
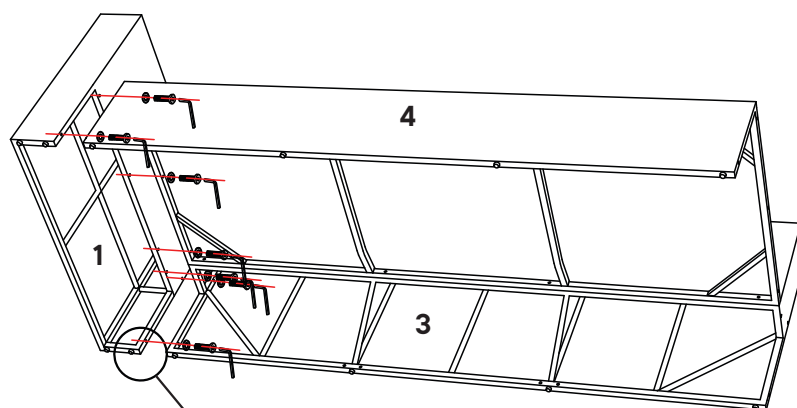
Step 2

COMPONENTS

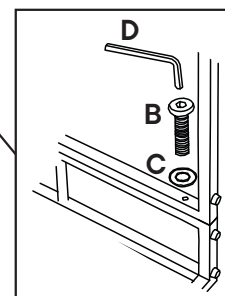
- 1** Left Armrest x1
- 3** Backrest x1
- 4** Base x1

HARDWARE

- B** Bolt M6 x 40mm x7
- C** Flat Washer M6 x7
- D** Allen Wrench x1



NOTE : Do not fully tighten the bolt



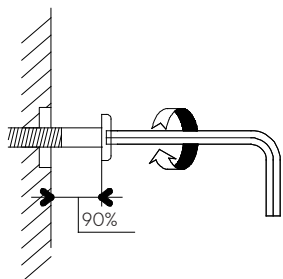
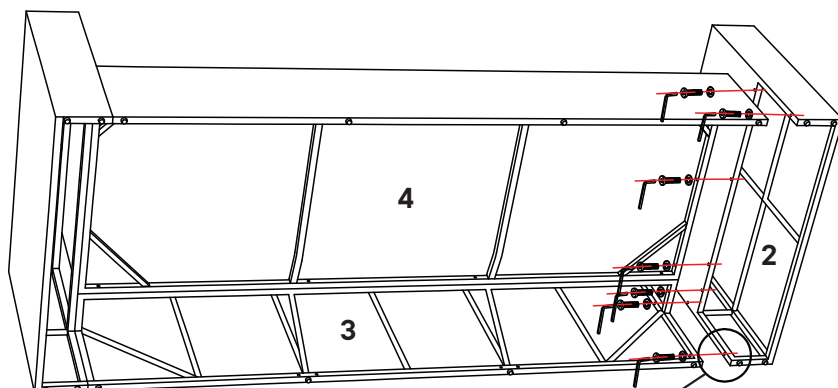
Step 3

COMPONENTS

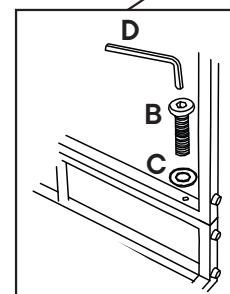
- ② Right Armrest x1
- ③ Backrest x1
- ④ Base x1

HARDWARE

- Ⓑ Bolt M6 x 40mm x7
- Ⓒ Flat Washer M6 x7
- Ⓓ Allen Wrench x1



NOTE : Do not fully tighten the bolt



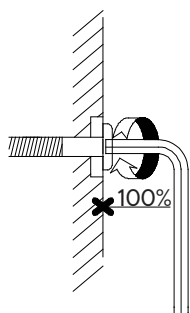
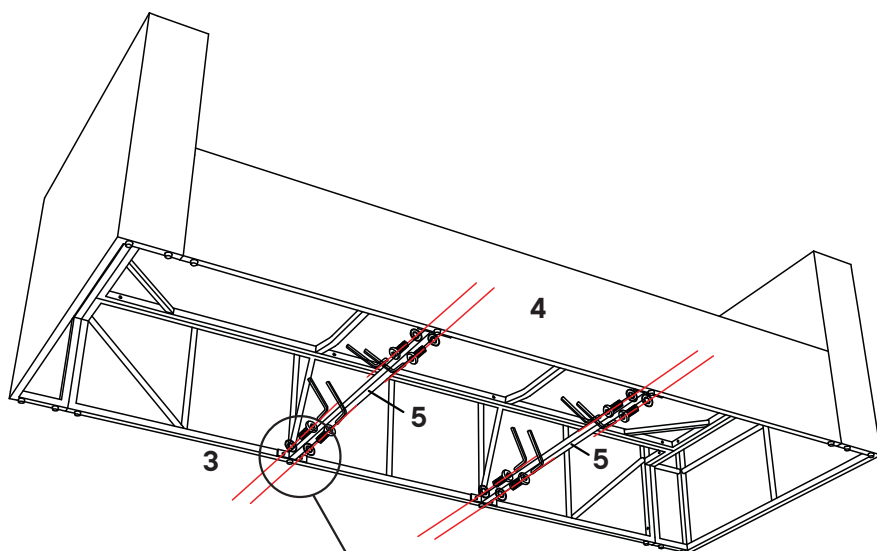
Step 4

COMPONENTS

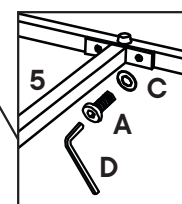
- ③ Backrest x1
- ④ Base x1
- ⑤ Bottom Support x2

HARDWARE

- Ⓐ Bolt M6 x 20mm x8
- Ⓒ Flat Washer M6 x8
- Ⓓ Allen Wrench x1



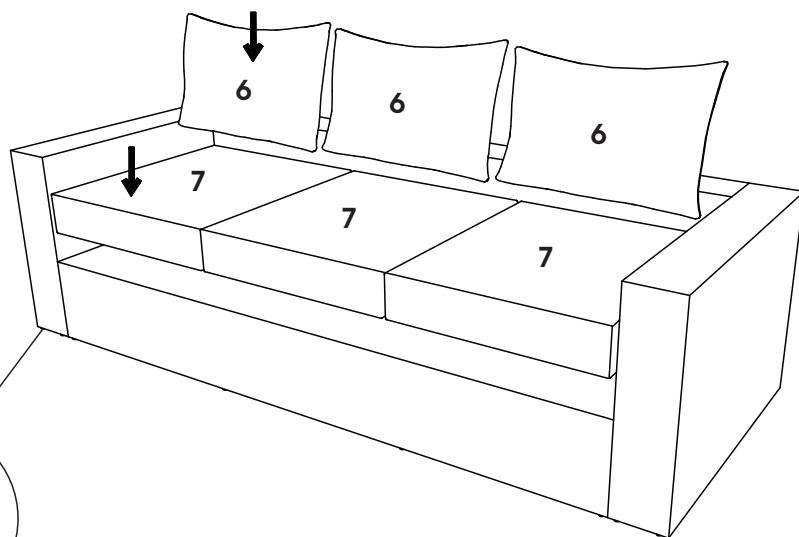
NOTE: Fully tighten all bolts.



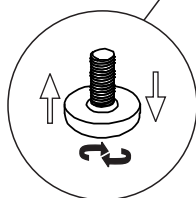
Step 5

COMPONENTS

- 6 Back Cushion x3
- 7 Seat Cushion x3



Notes: If there is un-stable, it may be caused by an uneven floor, which can be adjusted by Leveller.



Great job!

Your sofa is complete and ready to enjoy.

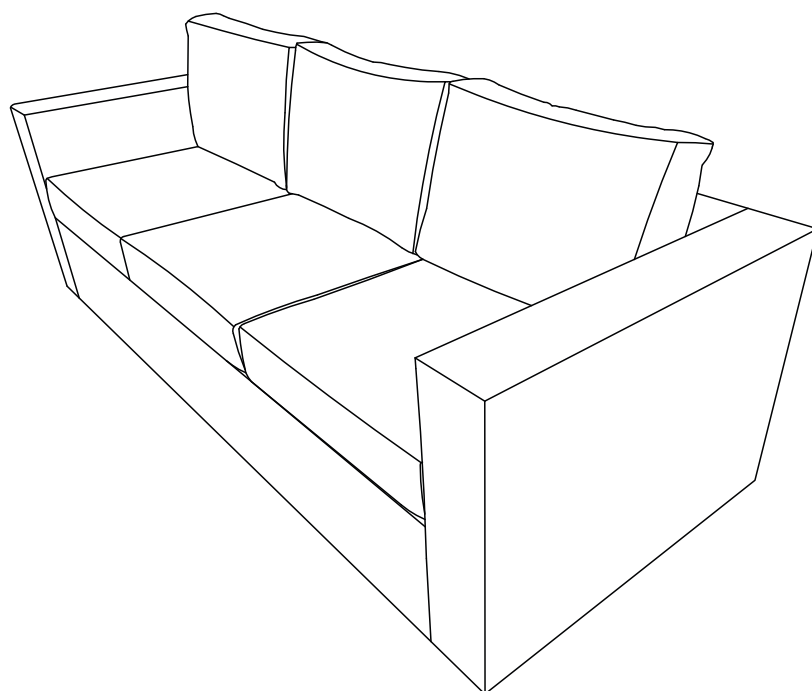
♥ CARING FOR YOUR ITEM

Indoor use only.

Not contract grade.

Clean using a non-abrasive cloth and a mild cleaner.

Never use harsh chemicals, as they could damage the finish or integrity of the item.



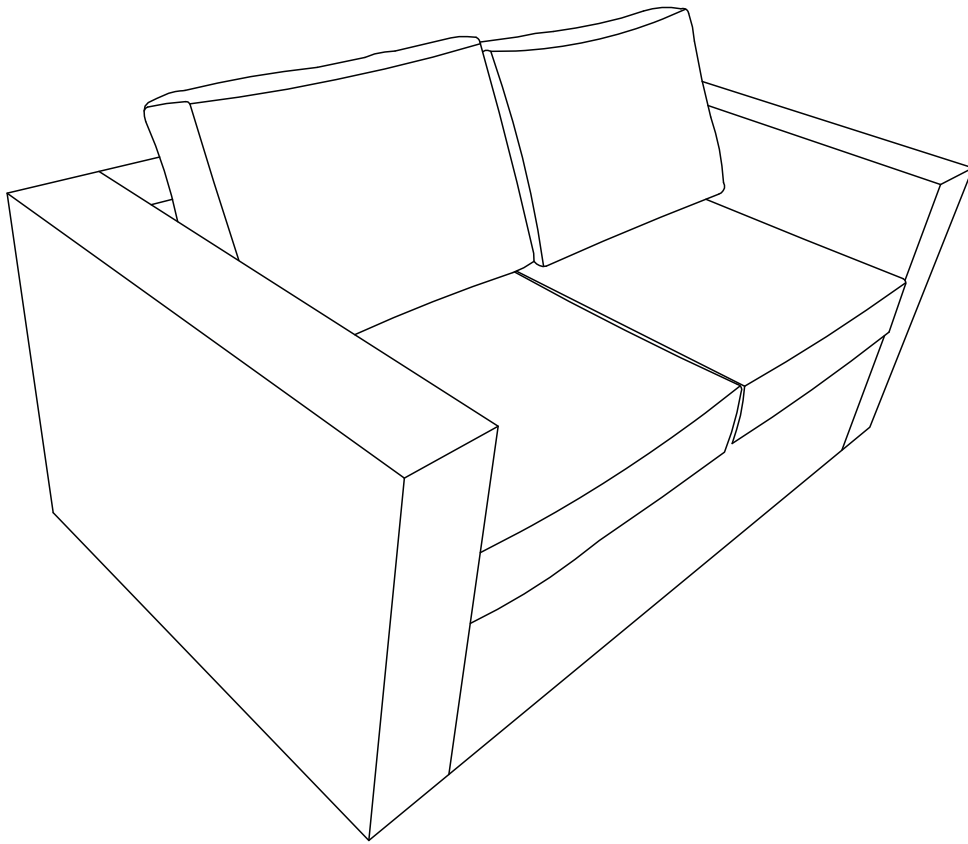
CONNECT WITH US!   

Tag us @modway_furniture and #modway for a chance to be featured.

ASSEMBLY INSTRUCTIONS

EEI-6246

V1.04.03.23



Questions? Contact us!

609.256.9000 • cs@modway.com
www.modway.com

*modway

Let's get started!

*modway



Read through all of the instructions before starting



Approx. 60 minutes assembly time



2 people recommended for assembly



Care instructions are listed in the last step of this manual



Make sure you have all parts and components before discarding any packing materials

Only use hand tools to assemble this item. Do not use power tools. Do not tighten bolts or screws completely until all hardware is lined up and inserted into the holes.

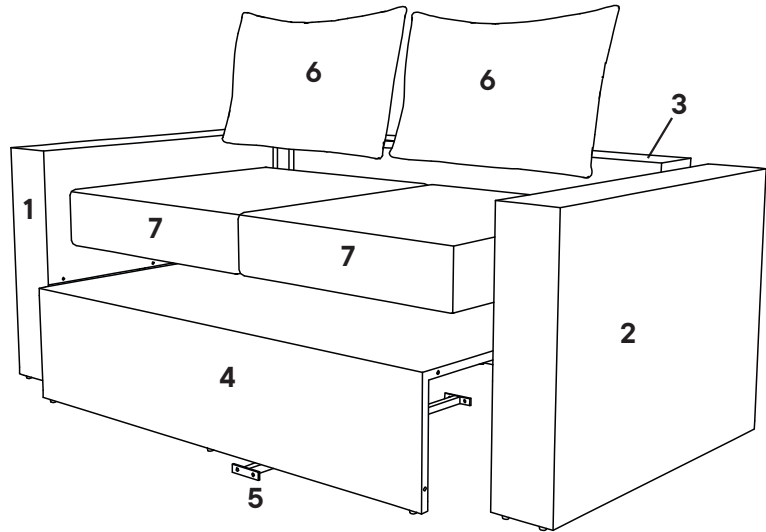
Do not over-tighten screws and bolts to avoid stripping the hardware or cracking the item.

Assemble your item on a flat, carpeted area, with plenty of space to work. This will prevent damage and scratches to your floors or the item while you're assembling the product.

Keep all components and packaging out of reach of children or animals to avoid risk of choking or suffocation.

Furniture components:

1	Left Armrest	x1
2	Right Armrest	x1
3	Backseat	x1
4	Base	x1
5	Bottom Support	x1
6	Back Cushion	x2
7	Cushion Seat	x2



Provided hardware:

A		Bolt M6 x 20mm	x4
B		Bolt M6 x 40mm	x18
C		Flat Washer M6	x22
D		Allen Wrench	x1

Wait!

Missing parts or hardware? Need assistance?
Contact us before returning your item. We're here to help!
609.256.9000 • cs@modway.com

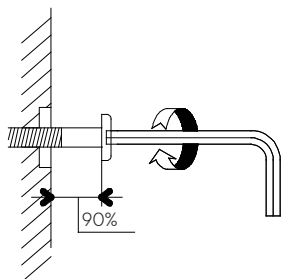
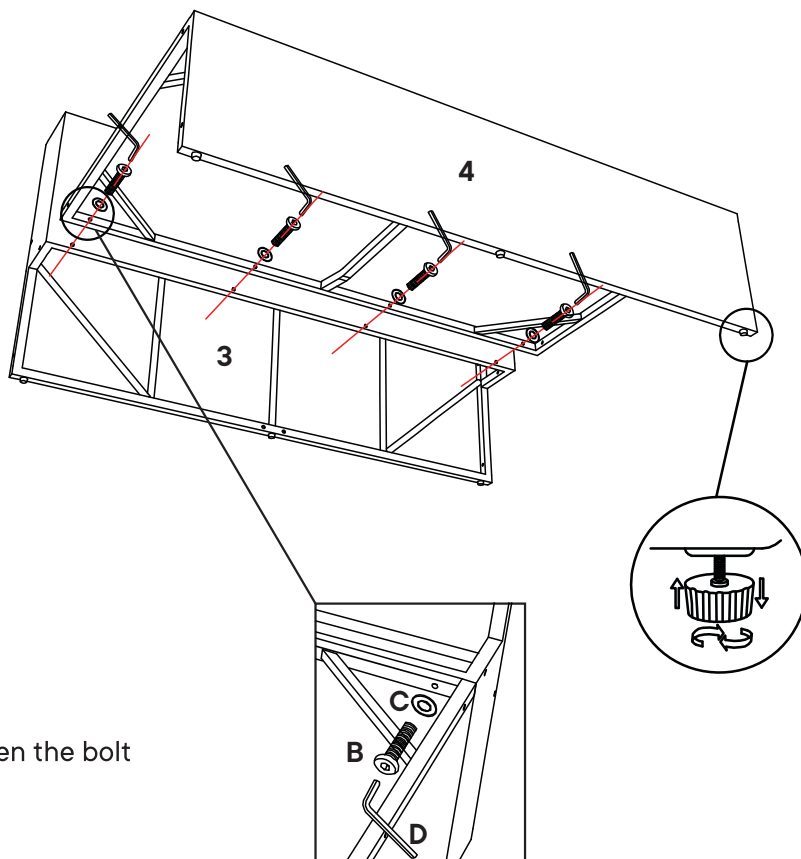
Step 1

COMPONENTS

- 3** Backseat x1
- 4** Base x1

HARDWARE

- B** Bolt M6 x 40mm x4
- C** Flat Washer M6 x4
- D** Allen Wrench x1



NOTE : Do not fully tighten the bolt

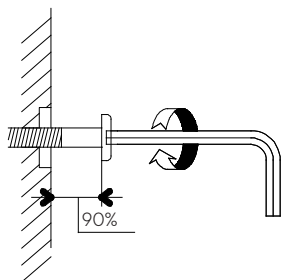
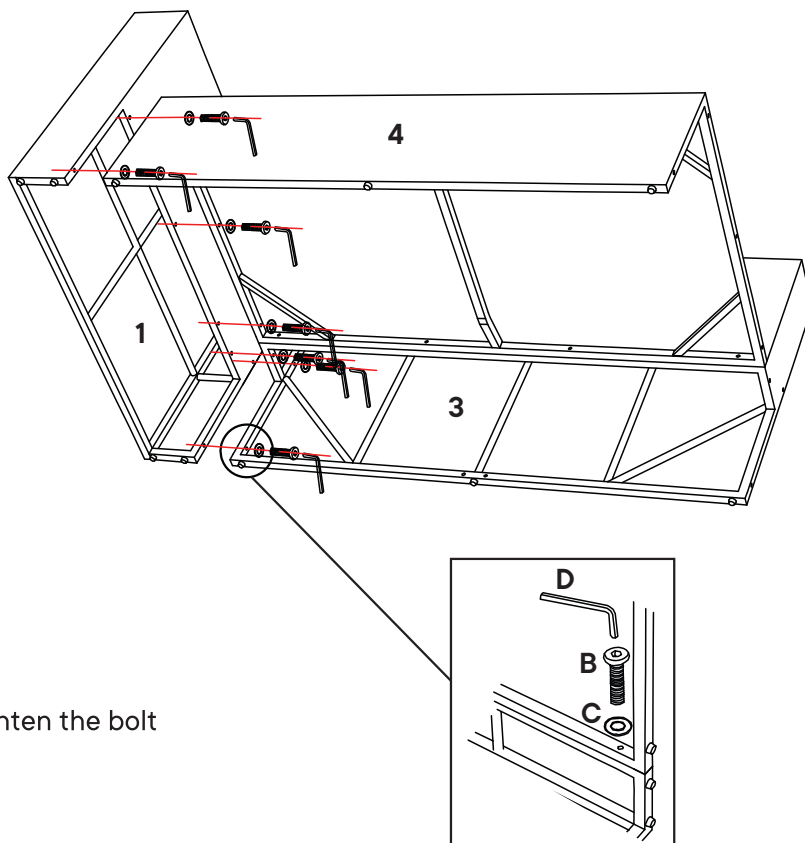
Step 2

COMPONENTS

- 1** Left Armrest x1
- 3** Backrest x1
- 4** Base x1

HARDWARE

- B** Bolt M6 x 40mm x7
- C** Flat Washer M6 x7
- D** Allen Wrench x1



NOTE : Do not fully tighten the bolt

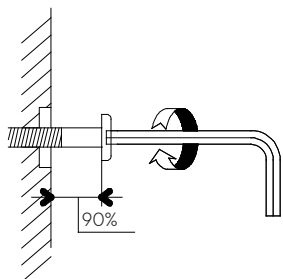
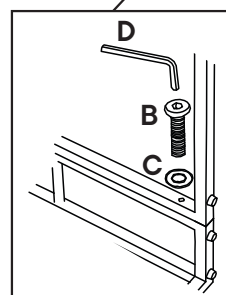
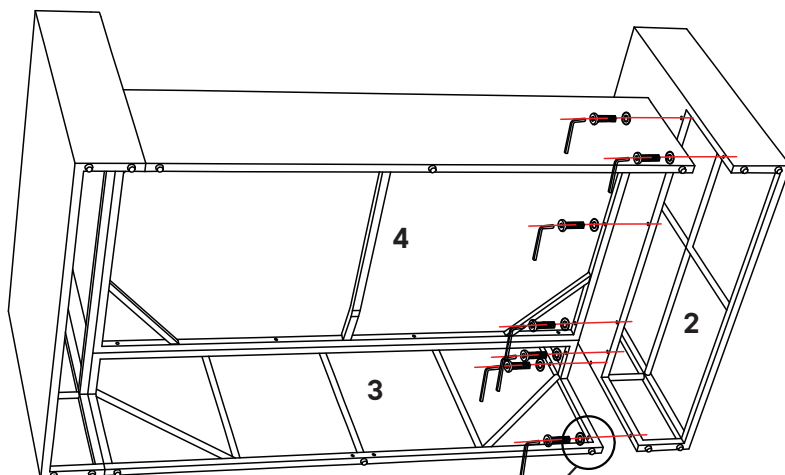
Step 3

COMPONENTS

- ② Right Armrest x1
- ③ Backrest x1
- ④ Base x1

HARDWARE

- Ⓑ Bolt M6 x 40mm x7
- Ⓒ Flat Washer M6 x7
- Ⓓ Allen Wrench x1



NOTE : Do not fully tighten the bolt

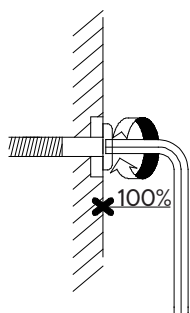
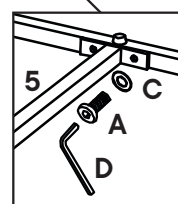
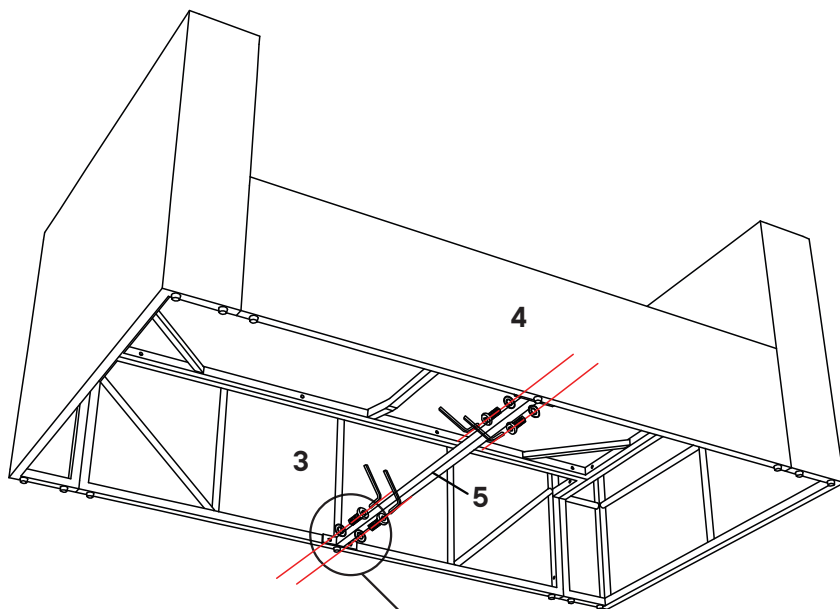
Step 4

COMPONENTS

- ③ Backrest x1
- ④ Base x1
- ⑤ Bottom Support x1

HARDWARE

- Ⓐ Bolt M6 x 20mm x4
- Ⓒ Flat Washer M6 x4
- Ⓓ Allen Wrench x1

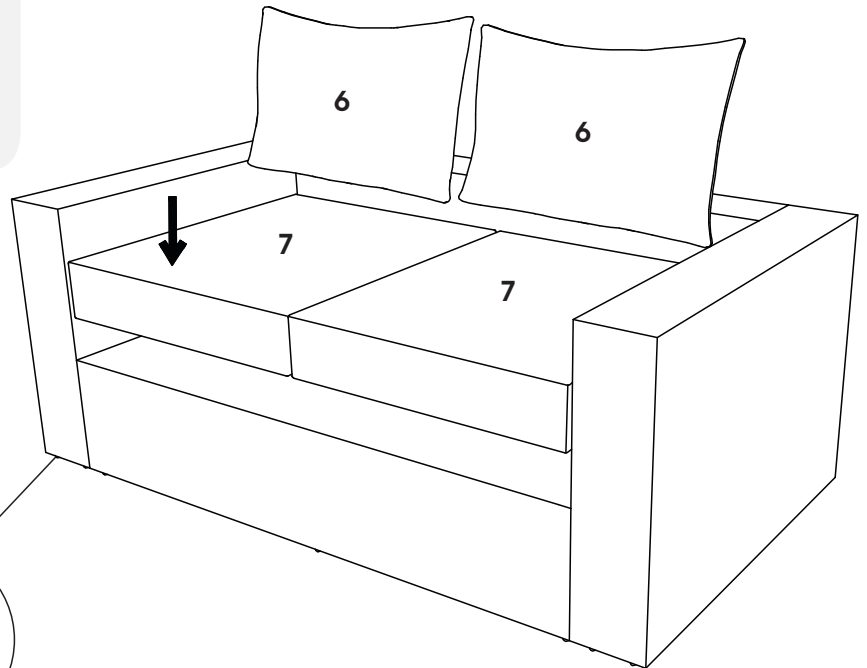


NOTE: Fully tighten all bolts.

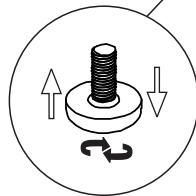
Step 5

COMPONENTS

- | | | |
|---|--------------|----|
| 6 | Back Cushion | x2 |
| 7 | Seat Cushion | x2 |



Notes: If there is un-stable, it may be caused by an uneven floor, which can be adjusted by Leveller.



Great job!

Your loveseat is complete and ready to enjoy.

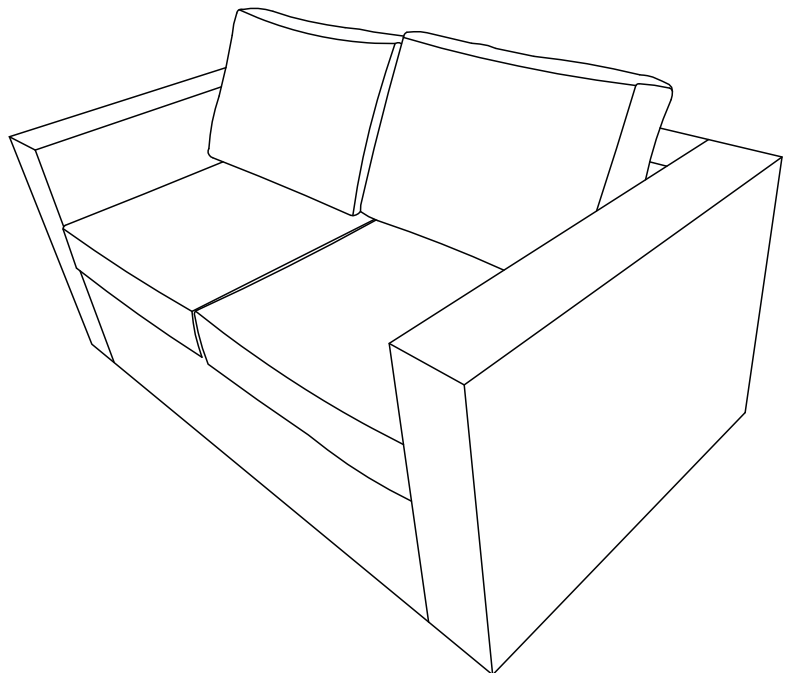
♥ CARING FOR YOUR ITEM

Indoor use only.

Not contract grade.

Clean using a non-abrasive cloth and a mild cleaner.

Never use harsh chemicals, as they could damage the finish or integrity of the item.



CONNECT WITH US!   

Tag us @modway_furniture and #modway for a chance to be featured.