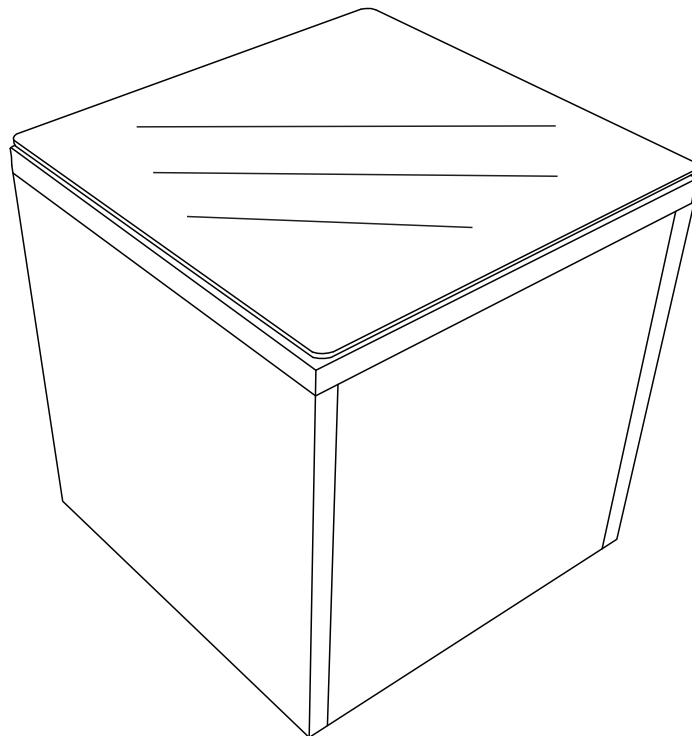


# ASSEMBLY INSTRUCTIONS

# EEI-6240

V1.04.03.23



**Questions? Contact us!**

609.256.9000 • [cs@modway.com](mailto:cs@modway.com)  
[www.modway.com](http://www.modway.com)

\*modway

# Let's get started!

\*modway



Read through all of the instructions before starting



Care instructions are listed in the last step of this manual



Approx. 30 minutes assembly time



Make sure you have all parts and components before discarding any packing materials



2 people recommended for assembly

**Only use hand tools to assemble this item.** Do not use power tools. Do not tighten bolts or screws completely until all hardware is lined up and inserted into the holes.

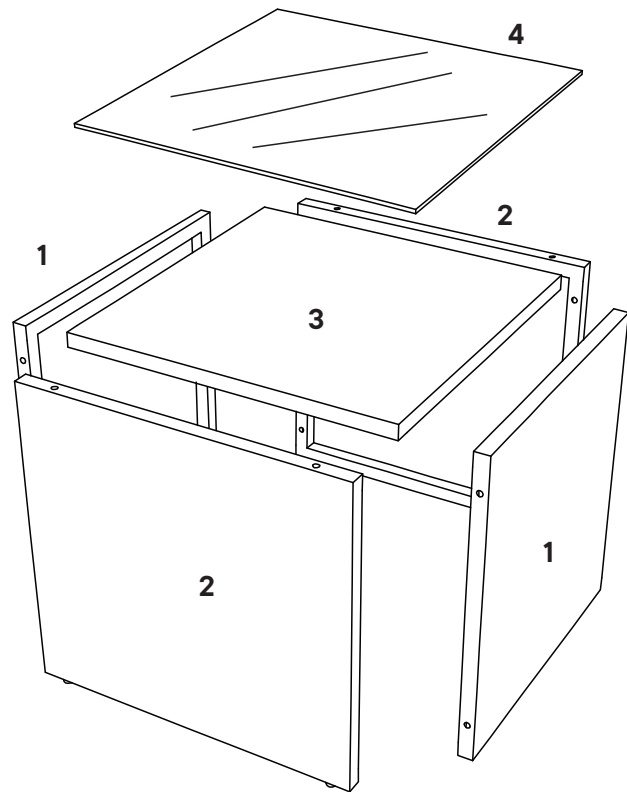
Do not over-tighten screws and bolts to avoid stripping the hardware or cracking the item.

Assemble your item on a flat, carpeted area, with plenty of space to work. This will prevent damage and scratches to your floors or the item while you're assembling the product.




Keep all components and packaging out of reach of children or animals to avoid risk of choking or suffocation.

## Furniture components:

|   |                  |    |
|---|------------------|----|
| 1 | Short Side Panel | x2 |
| 2 | Long Side Panel  | x2 |
| 3 | Table Surface    | x1 |
| 4 | Glass            | x1 |



## Provided hardware:

|   |   |                |     |
|---|---|----------------|-----|
| A |  | Bolt M6 x 40mm | x12 |
| B |  | Flat Washer M6 | x12 |
| C |  | Allen Wrench   | x1  |

Wait!

Missing parts or hardware? Need assistance?  
Contact us before returning your item. We're here to help!  
609.256.9000 • cs@modway.com

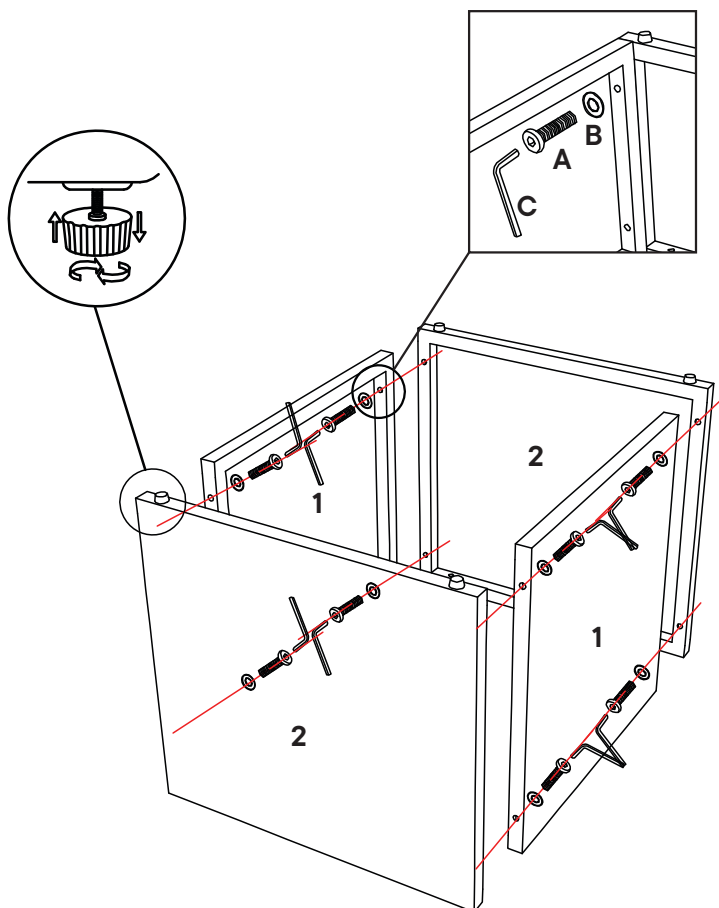
# Step 1

## COMPONENTS

- ① Short Side Panel x2
- ② Long Side Panel x2

## HARDWARE

- Ⓐ Bolt M6 x 40mm x8
- Ⓑ Flat Washer M6 x8
- Ⓒ Allen Wrench x1



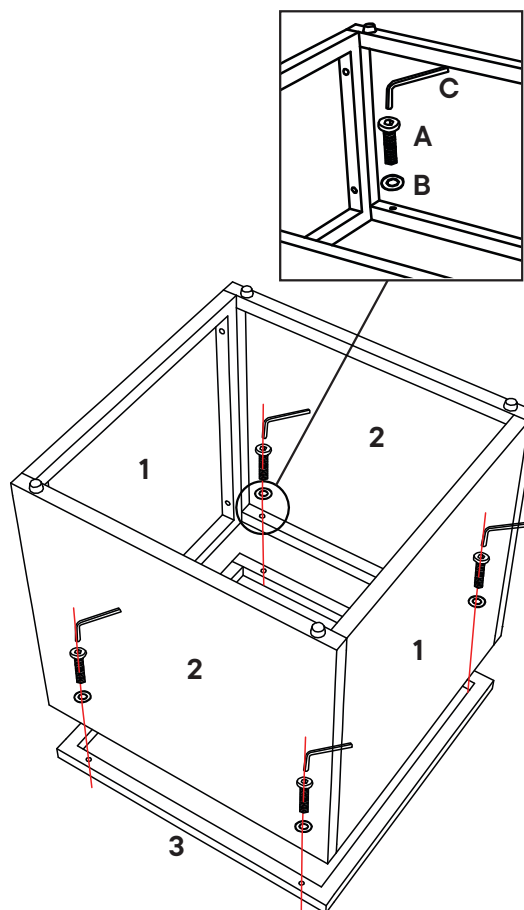
# Step 2

## COMPONENTS

- ① Short Side Panel x2
- ② Long Side Panel x2
- ③ Table Surface x1

## HARDWARE

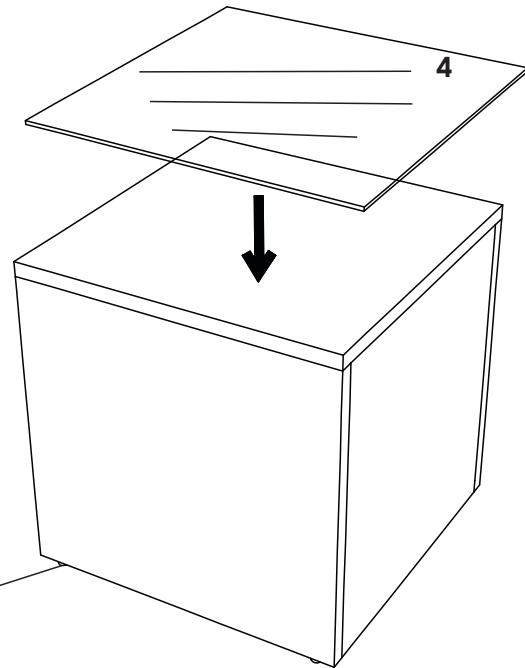
- Ⓐ Bolt M6 x 40mm x6
- Ⓑ Flat Washer M6 x6
- Ⓒ Allen Wrench x1



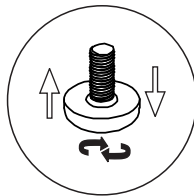
# Step 3

## COMPONENTS

4 Glass x1



Notes: If there is un-stable, it may be caused by an uneven floor, which can be adjusted by Leveller.



# Great job!

Your side table is complete and ready to enjoy.

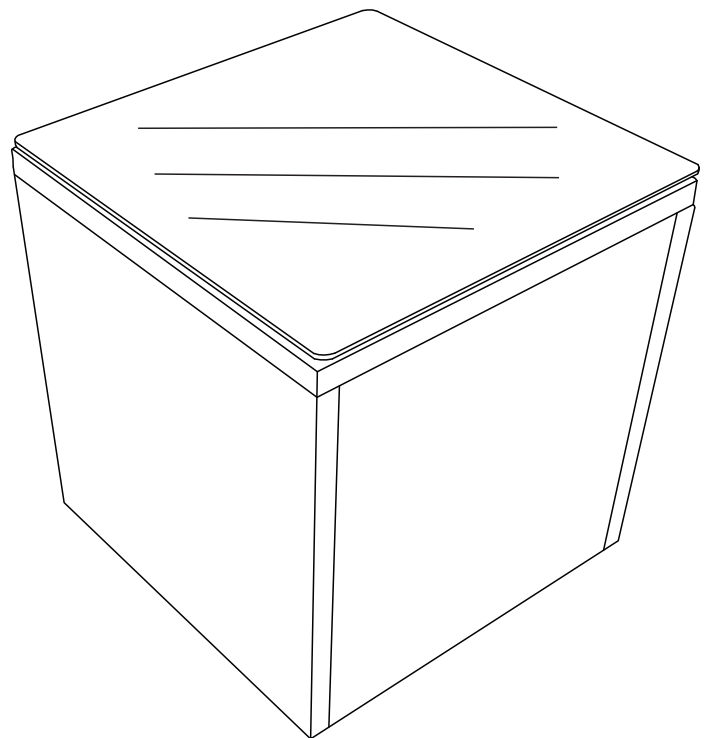
## ♥ CARING FOR YOUR ITEM

Indoor use only.

Not contract grade.

Clean using a non-abrasive cloth and a mild cleaner.

Never use harsh chemicals, as they could damage the finish or integrity of the item.



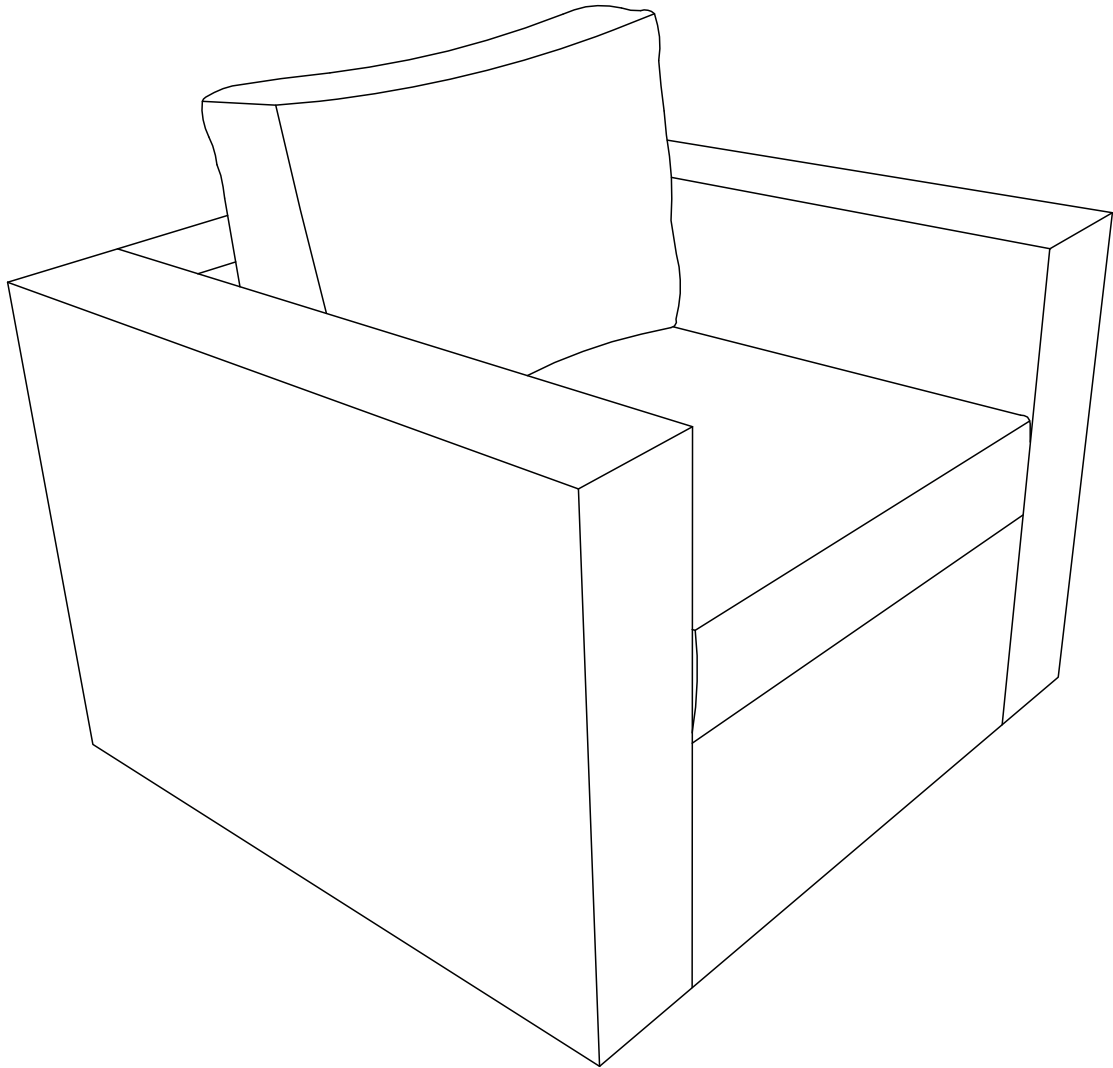
CONNECT WITH US!   

Tag us @modway\_furniture and #modway for a chance to be featured.

# ASSEMBLY INSTRUCTIONS

# EEI-6326

V1.04.03.23



**Questions? Contact us!**

609.256.9000 • [cs@modway.com](mailto:cs@modway.com)  
[www.modway.com](http://www.modway.com)

\*modway

# Let's get started!

\*modway



Read through all of the instructions before starting



Care instructions are listed in the last step of this manual



Approx. 30 minutes assembly time



Make sure you have all parts and components before discarding any packing materials



2 people recommended for assembly

**Only use hand tools to assemble this item.** Do not use power tools. Do not tighten bolts or screws completely until all hardware is lined up and inserted into the holes.

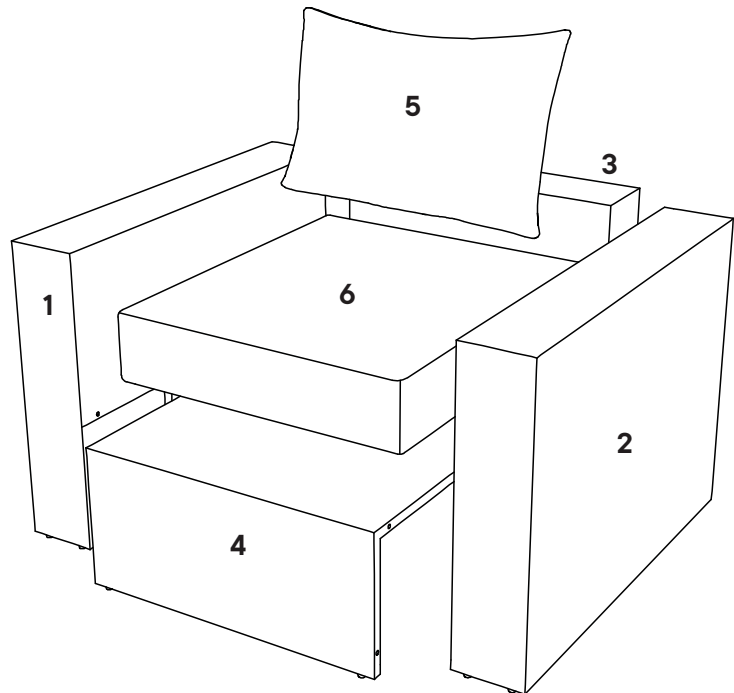
Do not over-tighten screws and bolts to avoid stripping the hardware or cracking the item.

Assemble your item on a flat, carpeted area, with plenty of space to work. This will prevent damage and scratches to your floors or the item while you're assembling the product.




Keep all components and packaging out of reach of children or animals to avoid risk of choking or suffocation.

## Furniture components:

|   |               |    |
|---|---------------|----|
| 1 | Left Armrest  | x1 |
| 2 | Right Armrest | x1 |
| 3 | Backrest      | x1 |
| 4 | Base          | x1 |
| 5 | Back Cushion  | x1 |
| 6 | Seat Cushion  | x1 |



## Provided hardware:

|   |   |                |     |
|---|---|----------------|-----|
| A |  | Bolt M6 x 40mm | x16 |
| B |  | Flat Washer M6 | x16 |
| C |  | Allen Wrench   | x1  |

Wait!

Missing parts or hardware? Need assistance?  
Contact us before returning your item. We're here to help!  
609.256.9000 • cs@modway.com

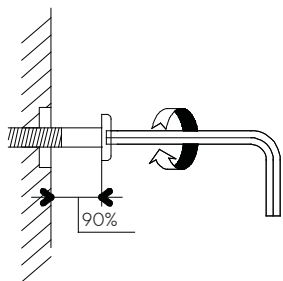
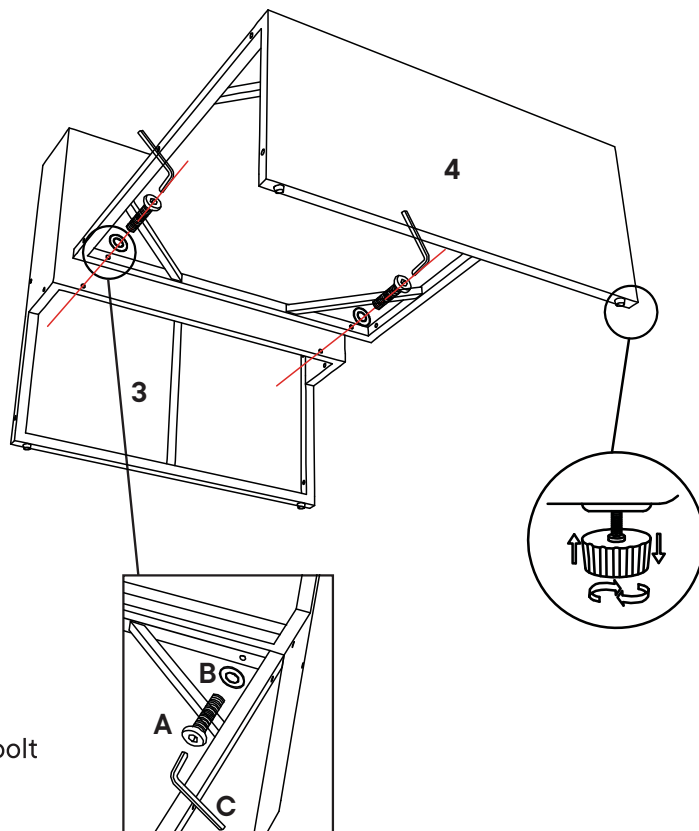
# Step 1

## COMPONENTS

- ③ Backrest x1
- ④ Base x1

## HARDWARE

- Ⓐ Bolt M6 x 40mm x2
- Ⓑ Flat Washer M6 x2
- Ⓒ Allen Wrench x1



**NOTE :** Do not fully tighten the bolt

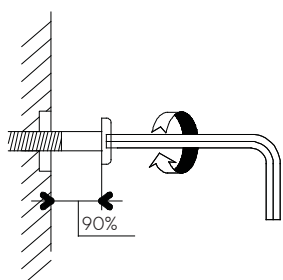
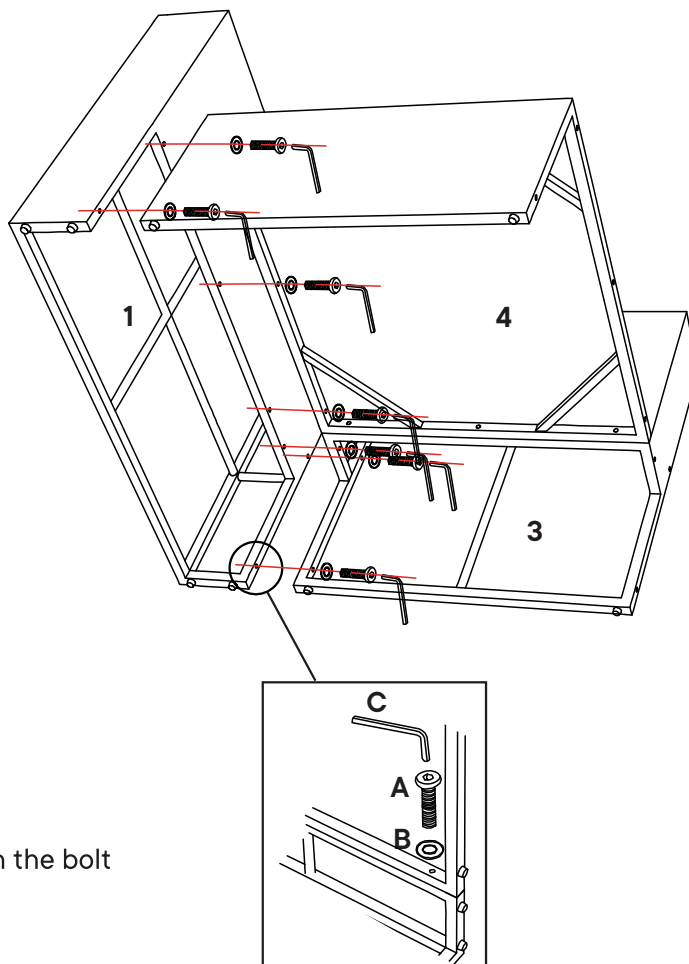
# Step 2

## COMPONENTS

- ① Left Armrest x1
- ③ Backrest x1
- ④ Base x1

## HARDWARE

- Ⓐ Bolt M6 x 40mm x7
- Ⓑ Flat Washer M6 x7
- Ⓒ Allen Wrench x1



**NOTE :** Do not fully tighten the bolt

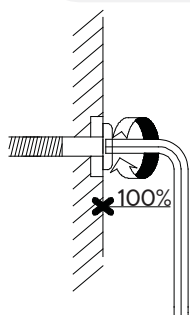
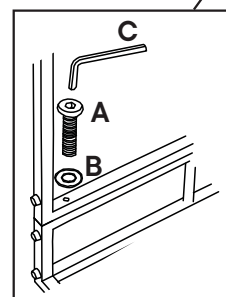
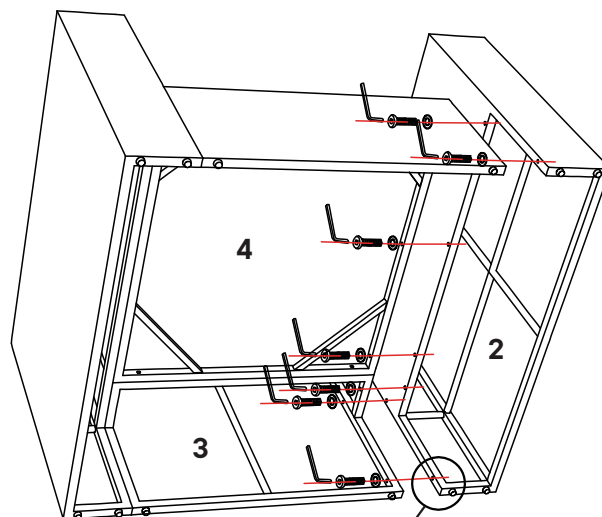
# Step 3

## COMPONENTS

- ② Right Armrest x1
- ③ Backrest x1
- ④ Base x1

## HARDWARE

- Ⓐ Bolt M6 x 40mm x7
- Ⓑ Flat Washer M6 x7
- Ⓒ Allen Wrench x1

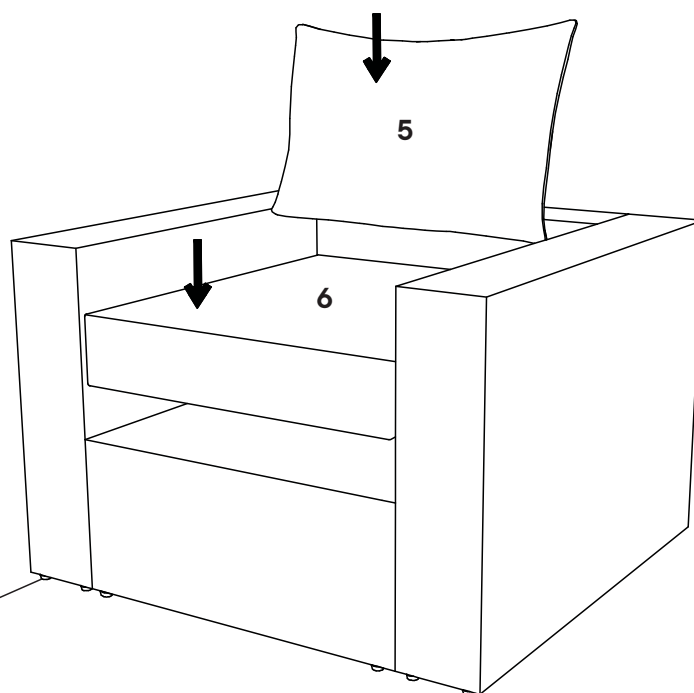


**NOTE:** Fully tighten all bolts.

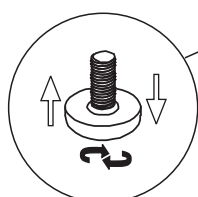
# Step 4

## COMPONENTS

- ⑤ Back Cushion x1
- ⑥ Seat Cushion x1



Notes: If there is un-stable, it may be caused by an uneven floor, which can be adjusted by Leveller.



# Great job!

Your arm chair is complete and ready to enjoy.

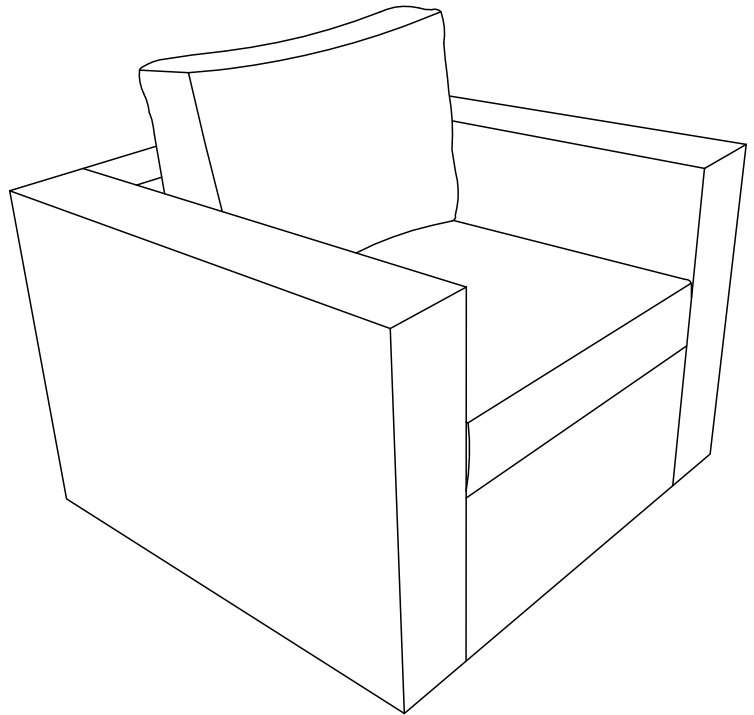
## ♥ CARING FOR YOUR ITEM

Indoor use only.

Not contract grade.

Clean using a non-abrasive cloth and a mild cleaner.

Never use harsh chemicals, as they could damage the finish or integrity of the item.



CONNECT WITH US!   

Tag us [@modway\\_furniture](#) and [#modway](#) for a chance to be featured.