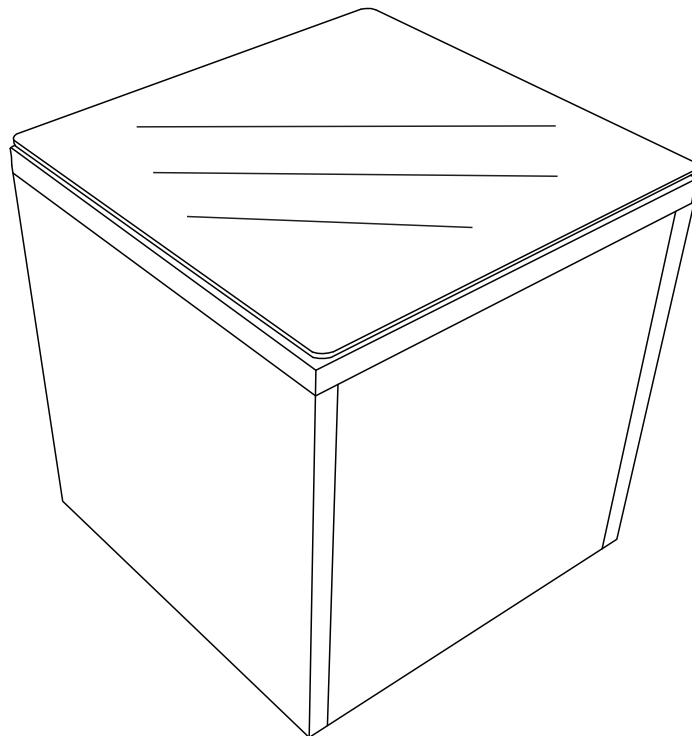


ASSEMBLY INSTRUCTIONS

EEI-6240

V1.04.03.23



Questions? Contact us!

609.256.9000 • cs@modway.com
www.modway.com

*modway

Let's get started!

*modway



Read through all of the instructions before starting



Care instructions are listed in the last step of this manual



Approx. 30 minutes assembly time



Make sure you have all parts and components before discarding any packing materials



2 people recommended for assembly

Only use hand tools to assemble this item. Do not use power tools. Do not tighten bolts or screws completely until all hardware is lined up and inserted into the holes.

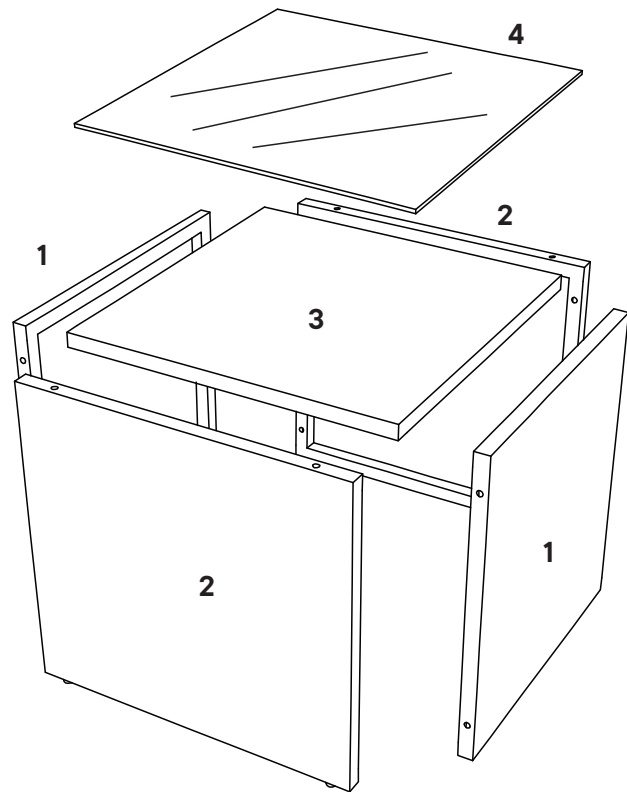
Do not over-tighten screws and bolts to avoid stripping the hardware or cracking the item.

Assemble your item on a flat, carpeted area, with plenty of space to work. This will prevent damage and scratches to your floors or the item while you're assembling the product.




Keep all components and packaging out of reach of children or animals to avoid risk of choking or suffocation.

Furniture components:

1	Short Side Panel	x2
2	Long Side Panel	x2
3	Table Surface	x1
4	Glass	x1



Provided hardware:

A		Bolt M6 x 40mm	x12
B		Flat Washer M6	x12
C		Allen Wrench	x1

Wait!

Missing parts or hardware? Need assistance?
Contact us before returning your item. We're here to help!
609.256.9000 • cs@modway.com

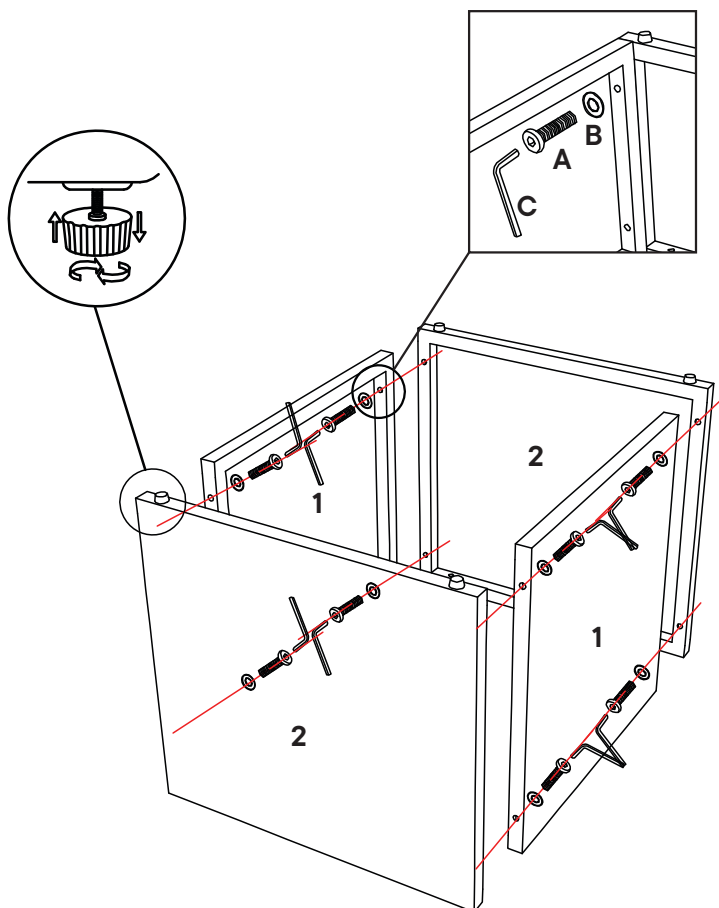
Step 1

COMPONENTS

- ① Short Side Panel x2
- ② Long Side Panel x2

HARDWARE

- Ⓐ Bolt M6 x 40mm x8
- Ⓑ Flat Washer M6 x8
- Ⓒ Allen Wrench x1



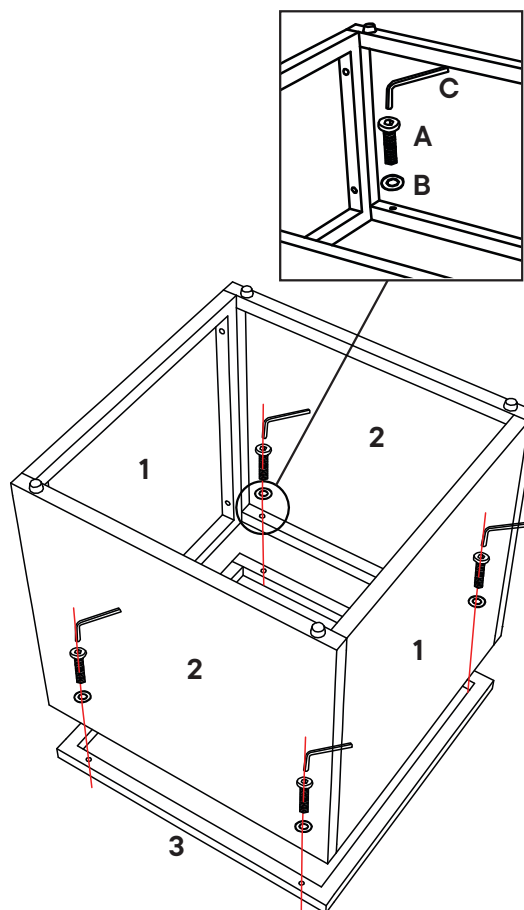
Step 2

COMPONENTS

- ① Short Side Panel x2
- ② Long Side Panel x2
- ③ Table Surface x1

HARDWARE

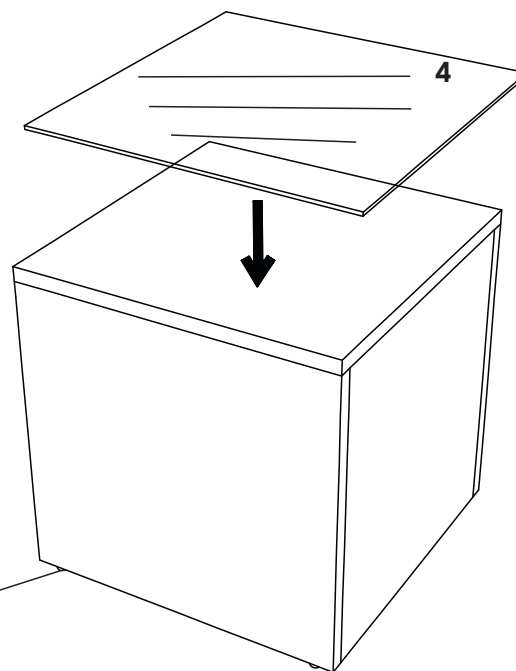
- Ⓐ Bolt M6 x 40mm x6
- Ⓑ Flat Washer M6 x6
- Ⓒ Allen Wrench x1



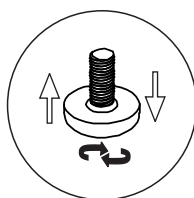
Step 3

COMPONENTS

4 Glass x1



Notes: If there is un-stable, it may be caused by an uneven floor, which can be adjusted by Leveller.



Great job!

Your side table is complete and ready to enjoy.

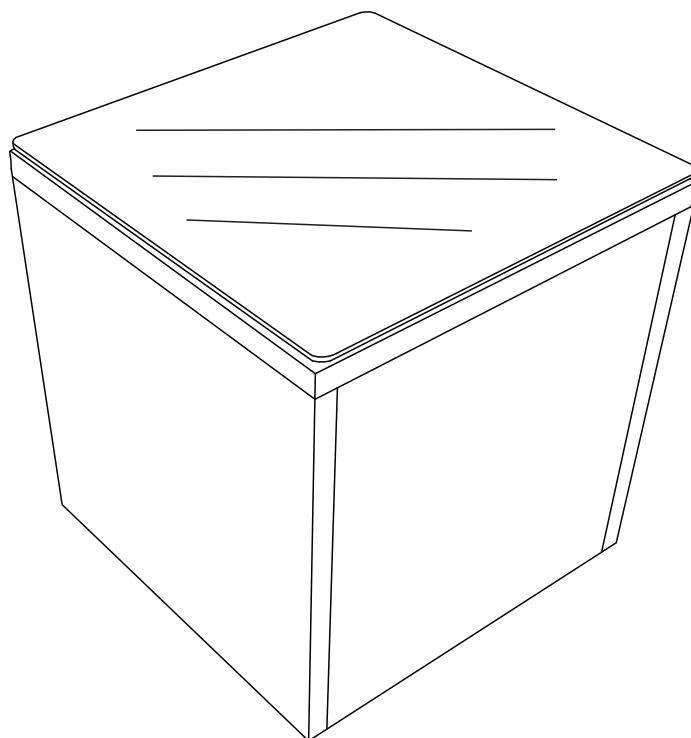
♥ CARING FOR YOUR ITEM

Indoor use only.

Not contract grade.

Clean using a non-abrasive cloth and a mild cleaner.

Never use harsh chemicals, as they could damage the finish or integrity of the item.



CONNECT WITH US!   

Tag us @modway_furniture and #modway for a chance to be featured.