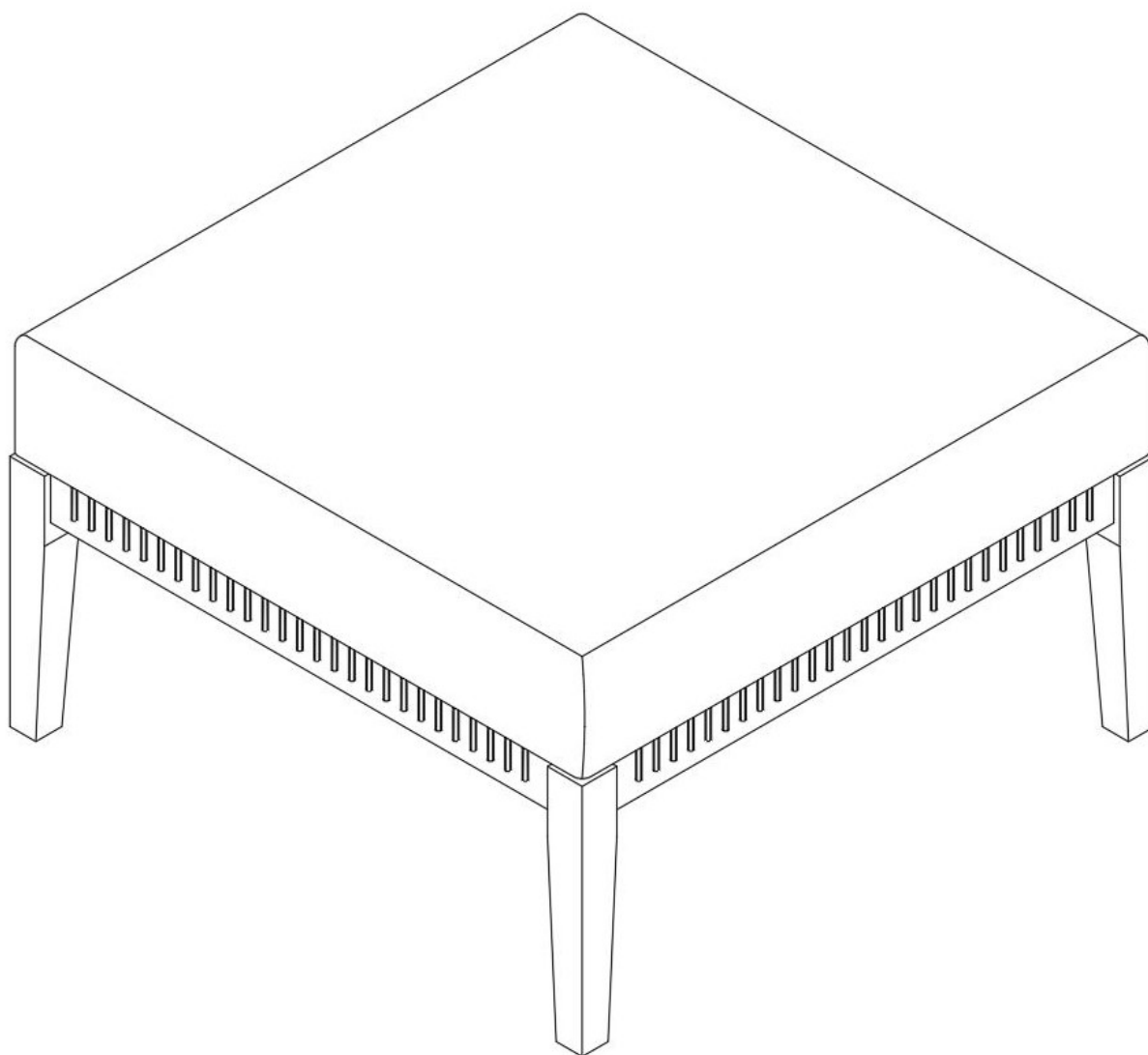


ASSEMBLY INSTRUCTIONS

EEI-5854

V1.21.03.21



Questions? Contact us!

609.256.9000 • cs@modway.com
www.modway.com

*modway

Let's get started!

*modway



Read through all of the instructions before starting



Care instructions are listed in the last step of this manual



Approx. 30 minutes assembly time



Make sure you have all parts and components before discarding any packing materials



2 people recommended for assembly

Only use hand tools to assemble this item. Do not use power tools. Do not tighten bolts or screws completely until all hardware is lined up and inserted into the holes.

Do not over-tighten screws and bolts to avoid stripping the hardware or cracking the item.

Assemble your item on a flat, carpeted area, with plenty of space to work. This will prevent damage and scratches to your floors or the item while you're assembling the product.

Keep all components and packaging out of reach of children or animals to avoid risk of choking or suffocation.

Furniture components:

1	Top Frame	x1
---	-----------	----

2	Cushion	x1
---	---------	----

3	Leg	x4
---	-----	----

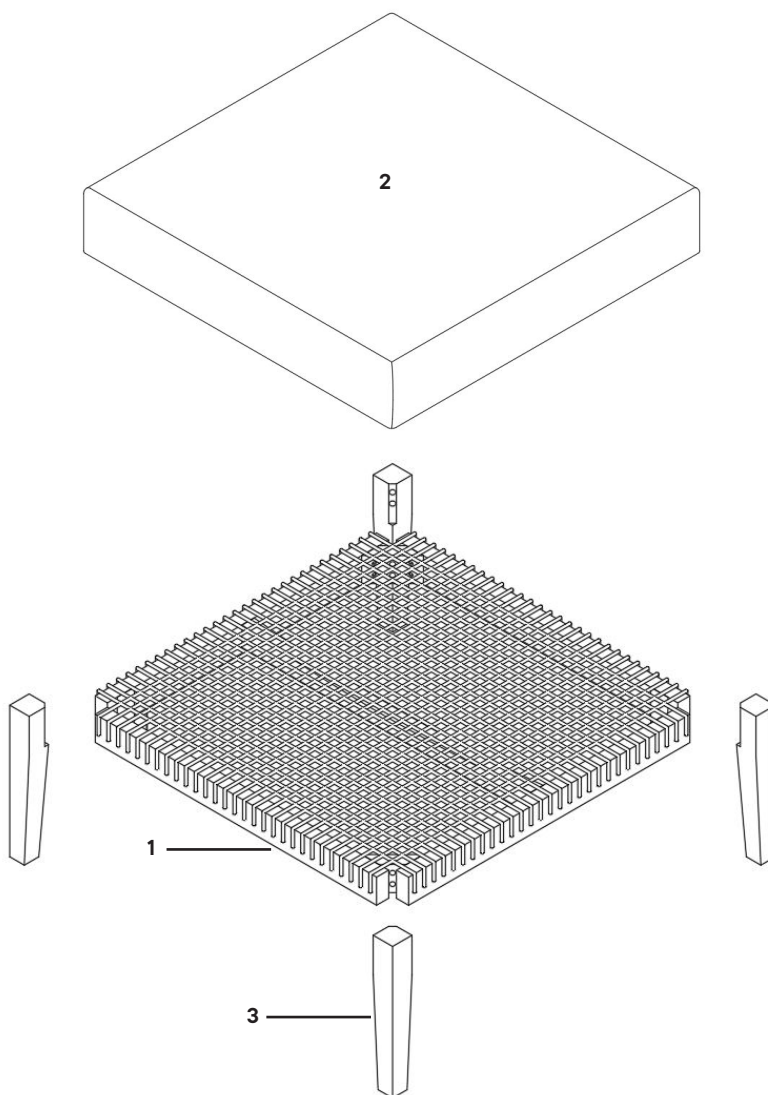
Provided hardware:

A	 Bolt M6 x 60 mm	x8
---	---	----

B	 Allen Key	x1
---	---	----

C	 Lock Washer	x8
---	---	----

D	 Flat Washer	x8
---	---	----



Wait!

Missing parts or hardware? Need assistance?

Contact us before returning your item. We're here to help!

609.256.9000 • cs@modway.com

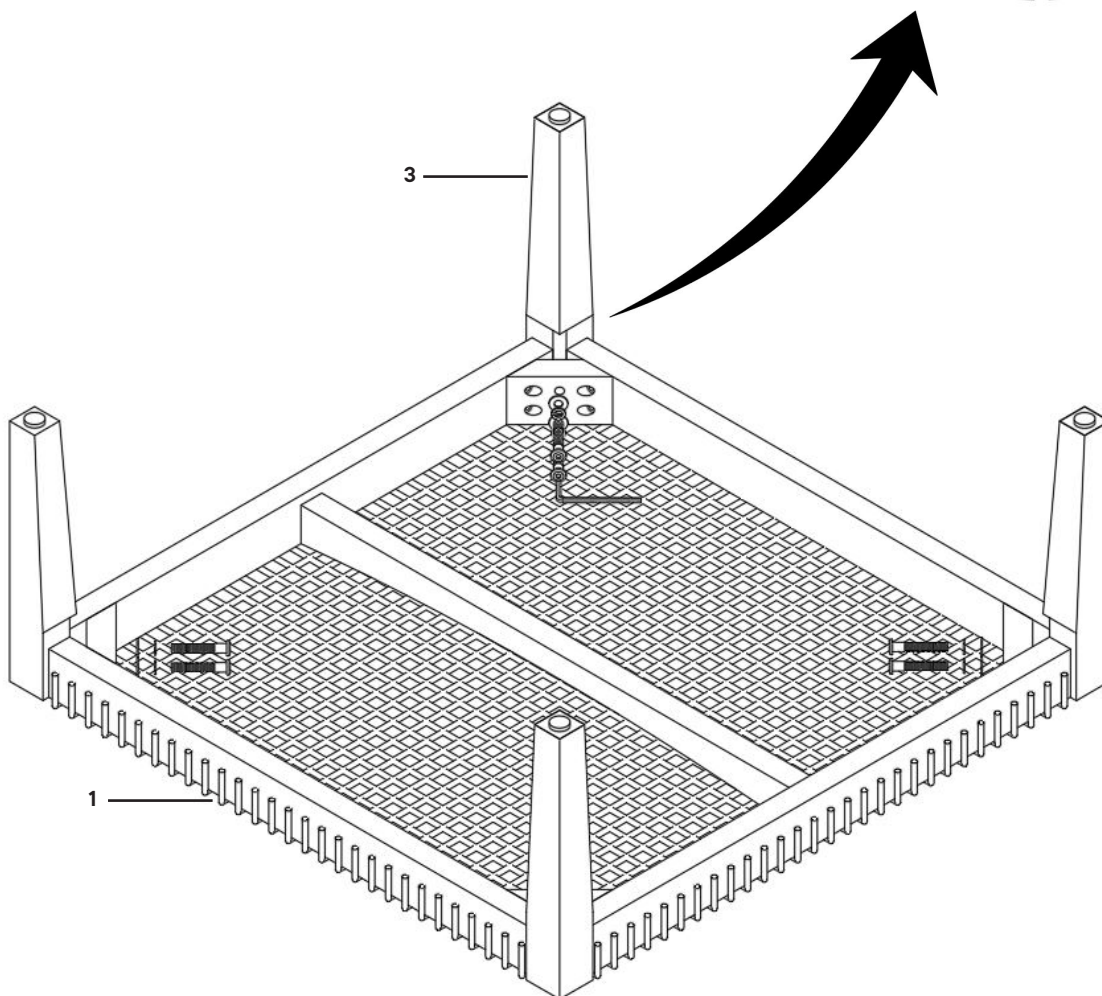
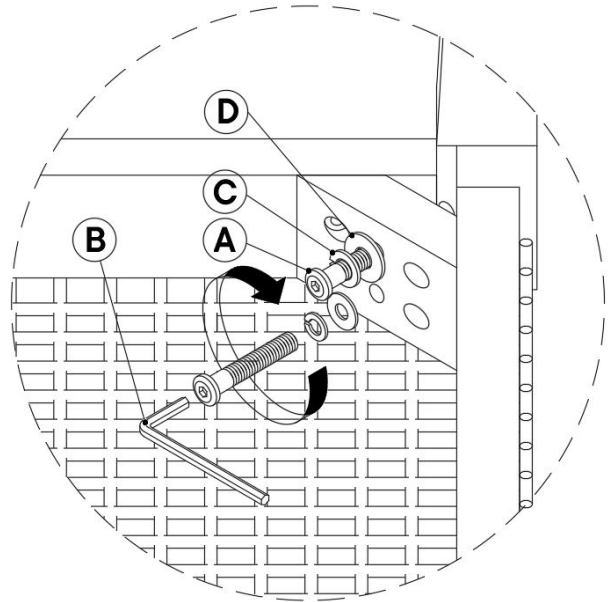
Step 1

HARDWARE

- | | | |
|----------|-----------------|----|
| A | Bolt M6 x 60 mm | x8 |
| B | Allen Key | x1 |
| C | Lock Washer | x8 |
| D | Flat Washer | x8 |

COMPONENTS

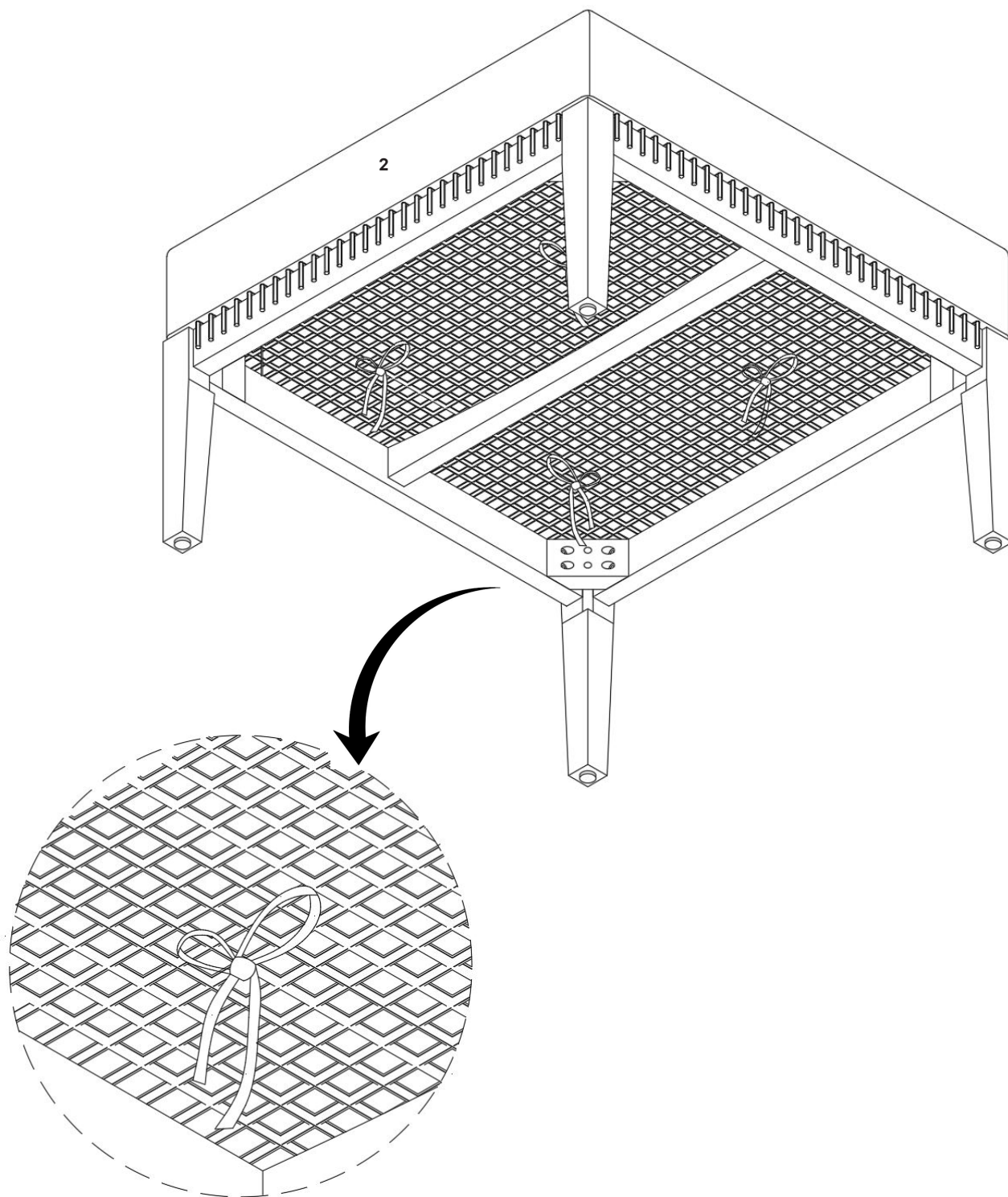
- | | | |
|----------|-----------|----|
| 1 | Top Frame | x1 |
| 3 | Leg | x4 |



Step 2

COMPONENTS

- 2 Cushion x1



Great job!

Your Sectional Ottoman assembly is complete

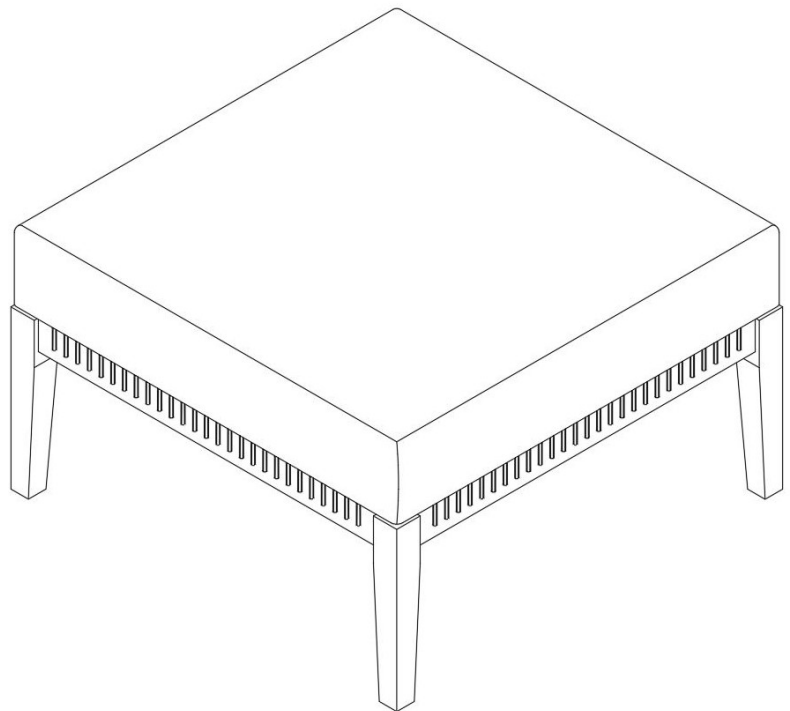
♥ CARING FOR YOUR ITEM

Depending on use, it may be necessary to tighten the hardware from time to time, so please save the tools that have been provided.

Not contract grade.

Clean using a non-abrasive cloth and a mild cleaner.

Retain the rich wood color by occasionally sanding lightly and applying a teak cleaner and protectant. The oils nourish and help restore the original look.



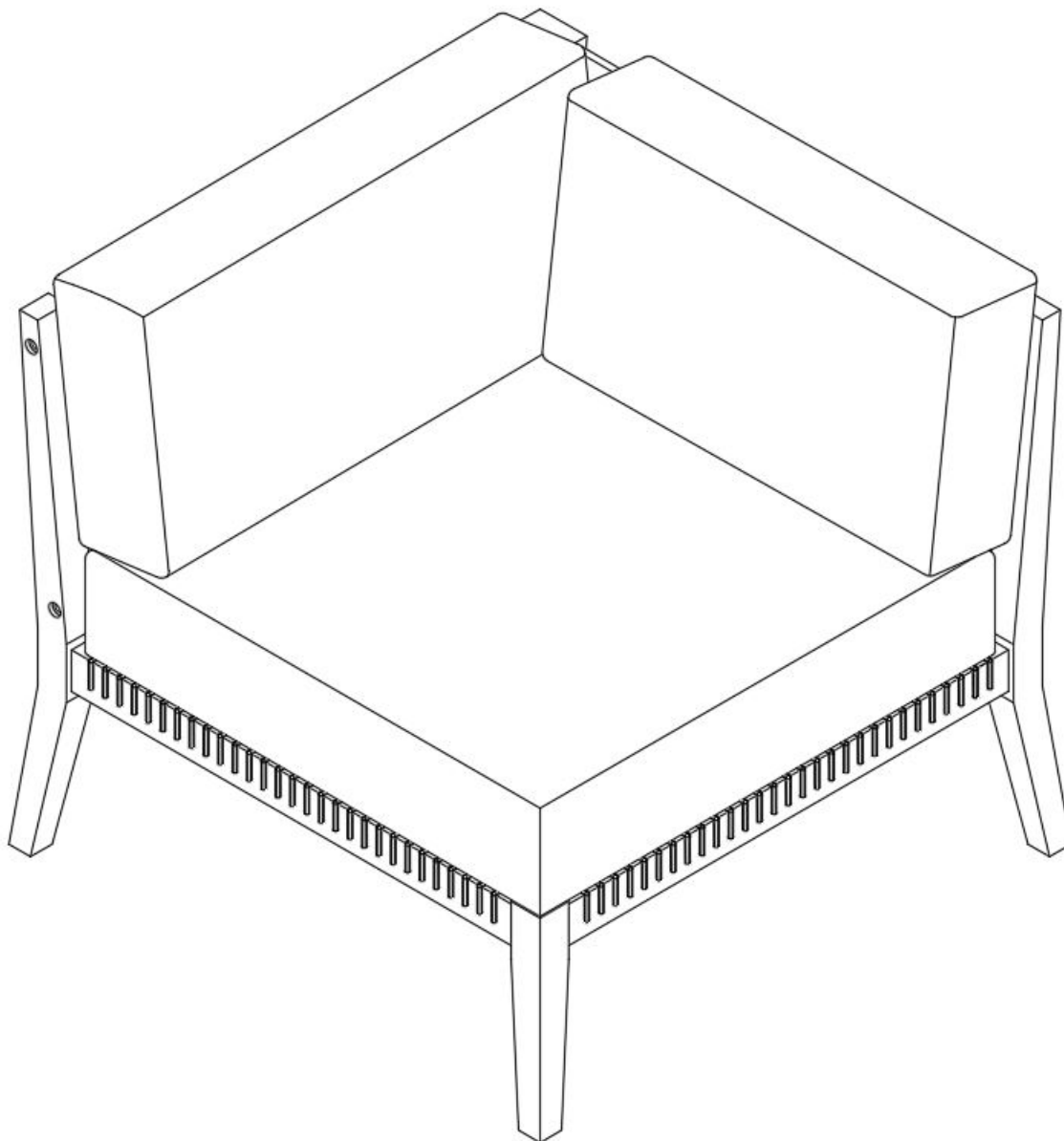
CONNECT WITH US!   

Tag us [@modway_furniture](#) and [#modway](#) for a chance to be featured.

ASSEMBLY INSTRUCTIONS

EEI-5855

V1.21.03.21



Questions? Contact us!

609.256.9000 • cs@modway.com
www.modway.com

***modway**

Let's get started!

*modway



Read through all of the instructions before starting



Care instructions are listed in the last step of this manual



Approx. 30 minutes assembly time



Make sure you have all parts and components before discarding any packing materials



2 people recommended for assembly

Only use hand tools to assemble this item. Do not use power tools. Do not tighten bolts or screws completely until all hardware is lined up and inserted into the holes.

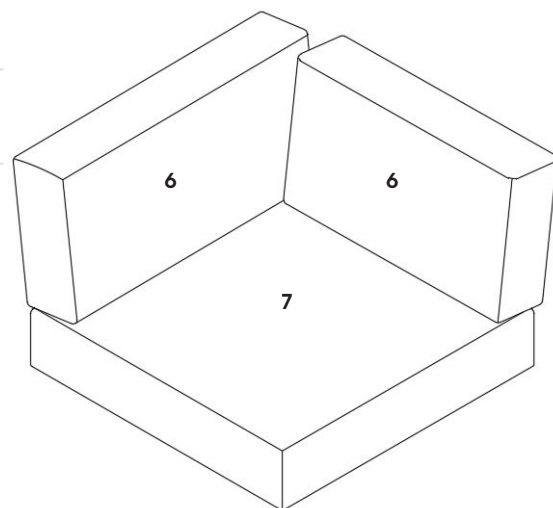
Do not over-tighten screws and bolts to avoid stripping the hardware or cracking the item.

Assemble your item on a flat, carpeted area, with plenty of space to work. This will prevent damage and scratches to your floors or the item while you're assembling the product.

Keep all components and packaging out of reach of children or animals to avoid risk of choking or suffocation.

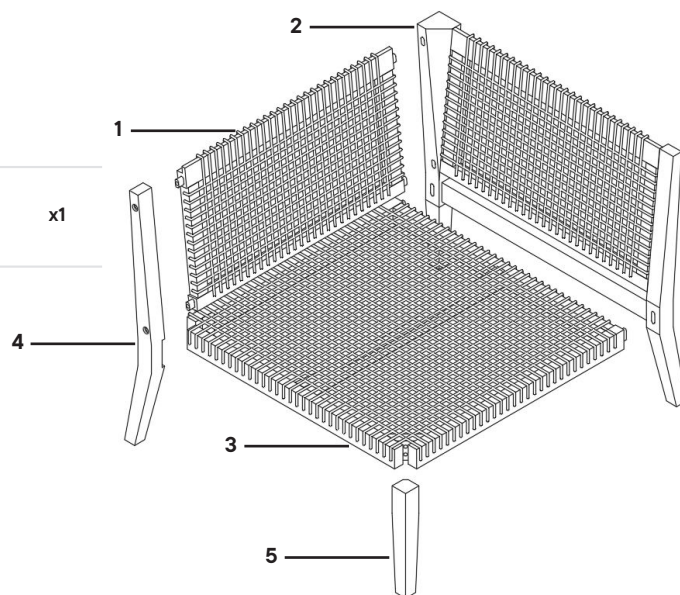
Furniture components:

1	Backrest 1	x1	7	Seat Cushion	x1
2	Backrest 2	x1			
3	Seat	x1			
4	Back Leg	x1			
5	Front Leg	x1			
6	Back Cushion	x2			



Provided hardware:

A		Bolt M6 x 60 mm	x9	F		Connector	x1
B		Bolt M6 x 80 mm	x1				
C		Allen Key	x1				
D		Lock Washer	x10				
E		Flat Washer	x10				



Wait!

Missing parts or hardware? Need assistance?

Contact us before returning your item. We're here to help!

609.256.9000 • cs@modway.com

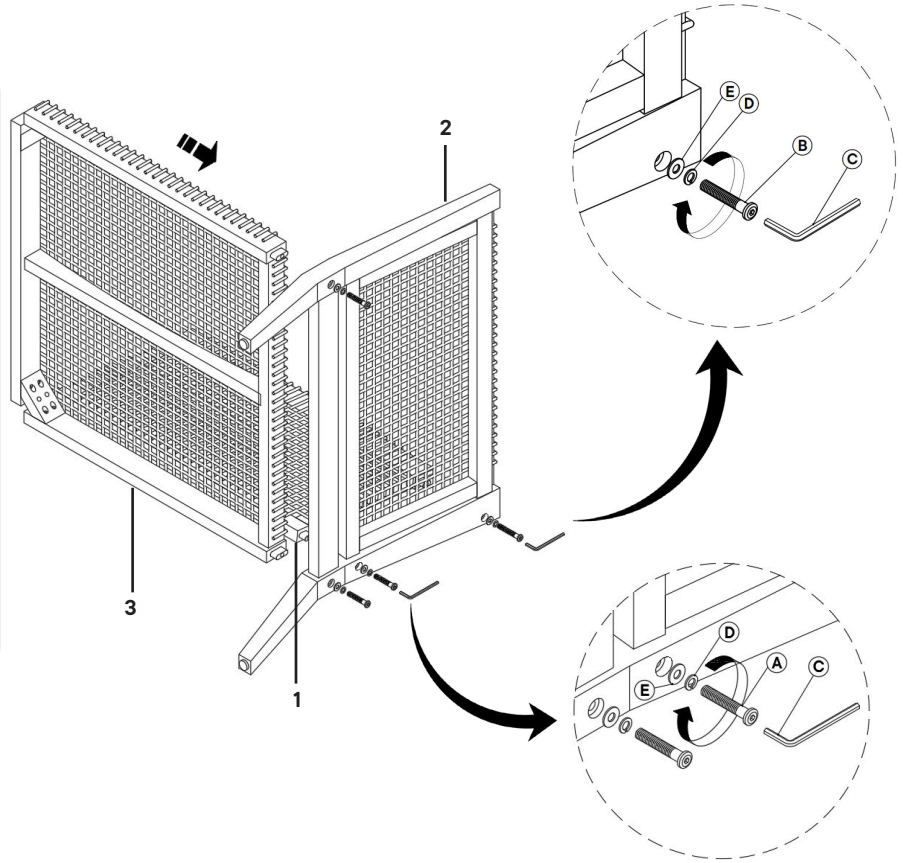
Step 1

HARDWARE

- A** Bolt M6 x 60 mm x3
- B** Bolt M6 x 80 mm x1
- C** Allen Key x1
- D** Lock Washer x4
- E** Flat Washer x4

COMPONENTS

- 1** Backrest 1 x1
- 2** Backrest 2 x1
- 3** Seat x1



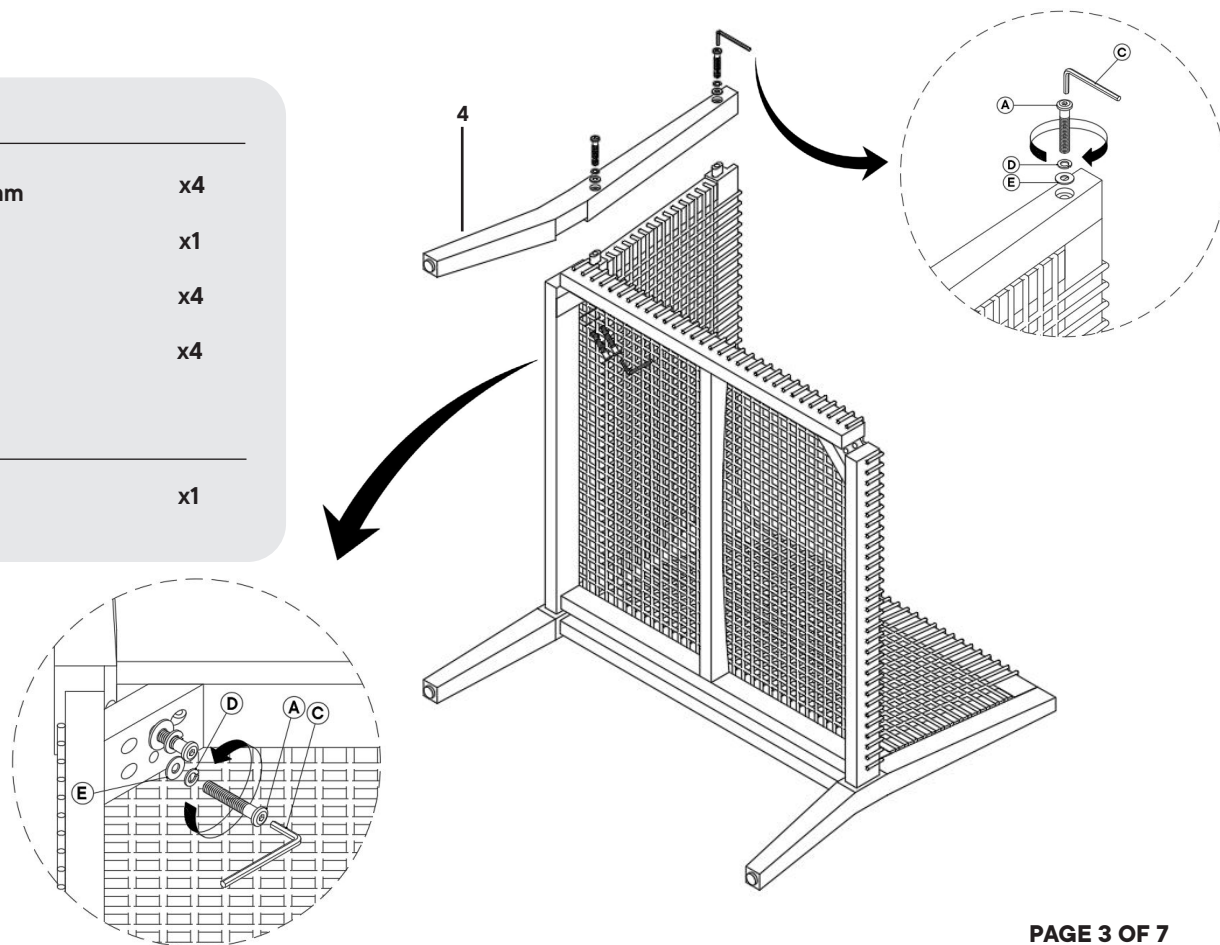
Step 2

HARDWARE

- A** Bolt M6 x 60 mm x4
- C** Allen Key x1
- D** Lock Washer x4
- E** Flat Washer x4

COMPONENTS

- 4** Back Leg x1



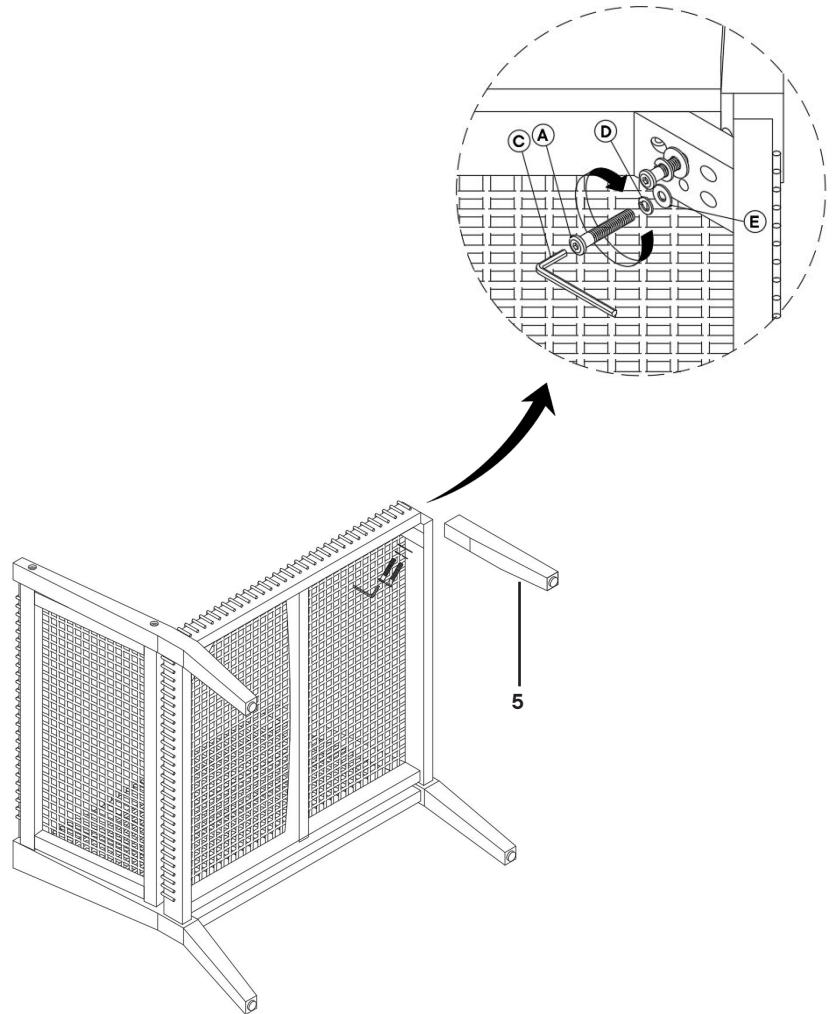
Step 3

HARDWARE

- A** Bolt M6 x 60 mm x2
- C** Allen Key x1
- D** Lock Washer x2
- E** Flat Washer x2

COMPONENTS

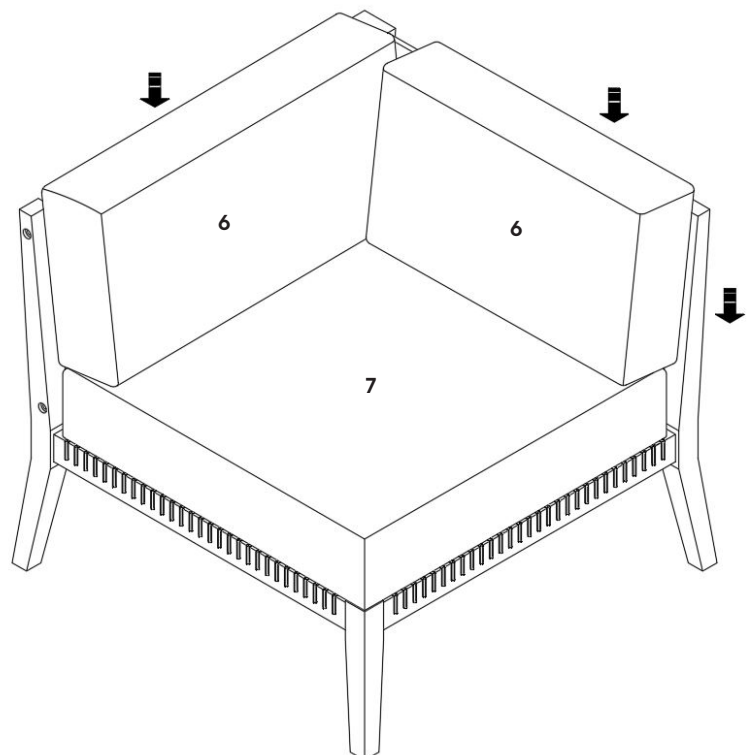
- 5** Front Leg x1



Step 4

COMPONENTS

- 6** Back Cushion x2
- 7** Seat Cushion x1



Great job!

Your Sectional Corner assembly is complete

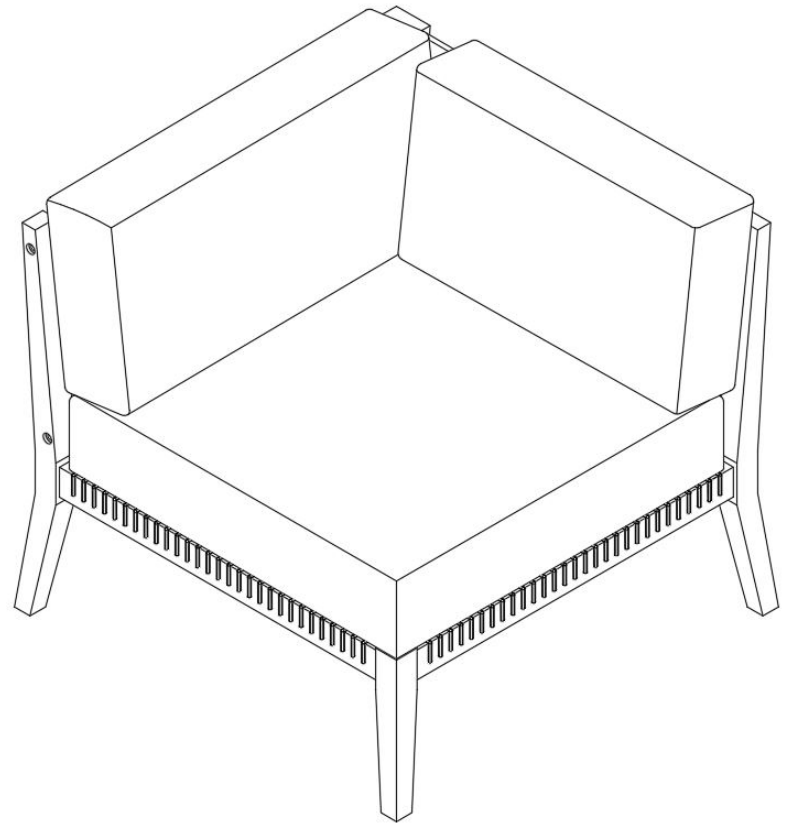
♥ CARING FOR YOUR ITEM

Depending on use, it may be necessary to tighten the hardware from time to time, so please save the tools that have been provided.

Not contract grade.

Clean using a non-abrasive cloth and a mild cleaner.

Retain the rich wood color by occasionally sanding lightly and applying a teak cleaner and protectant. The oils nourish and help restore the original look.



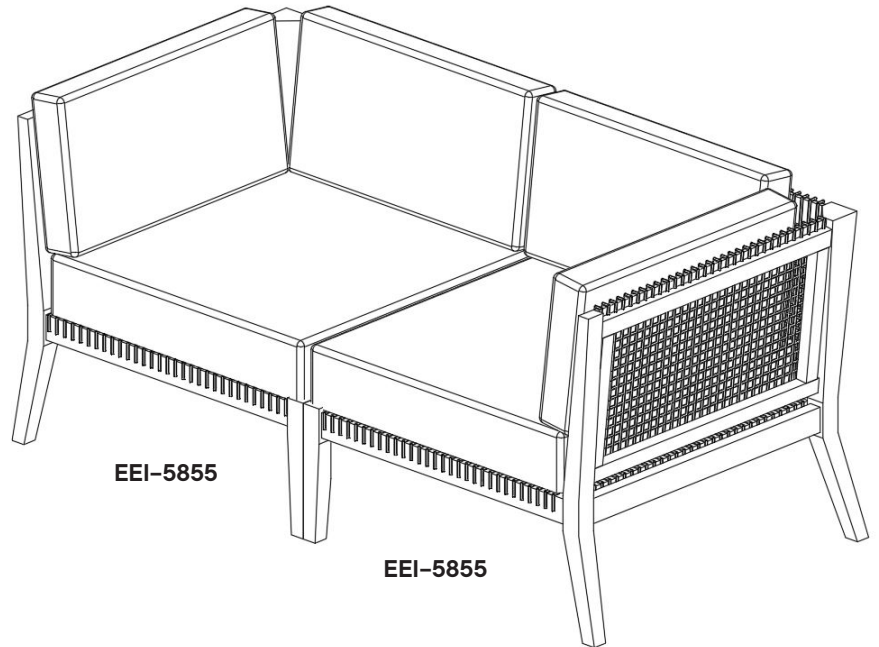
CONNECT WITH US!   

Tag us [@modway_furniture](#) and [#modway](#) for a chance to be featured.

Pairing Option

COMPONENTS

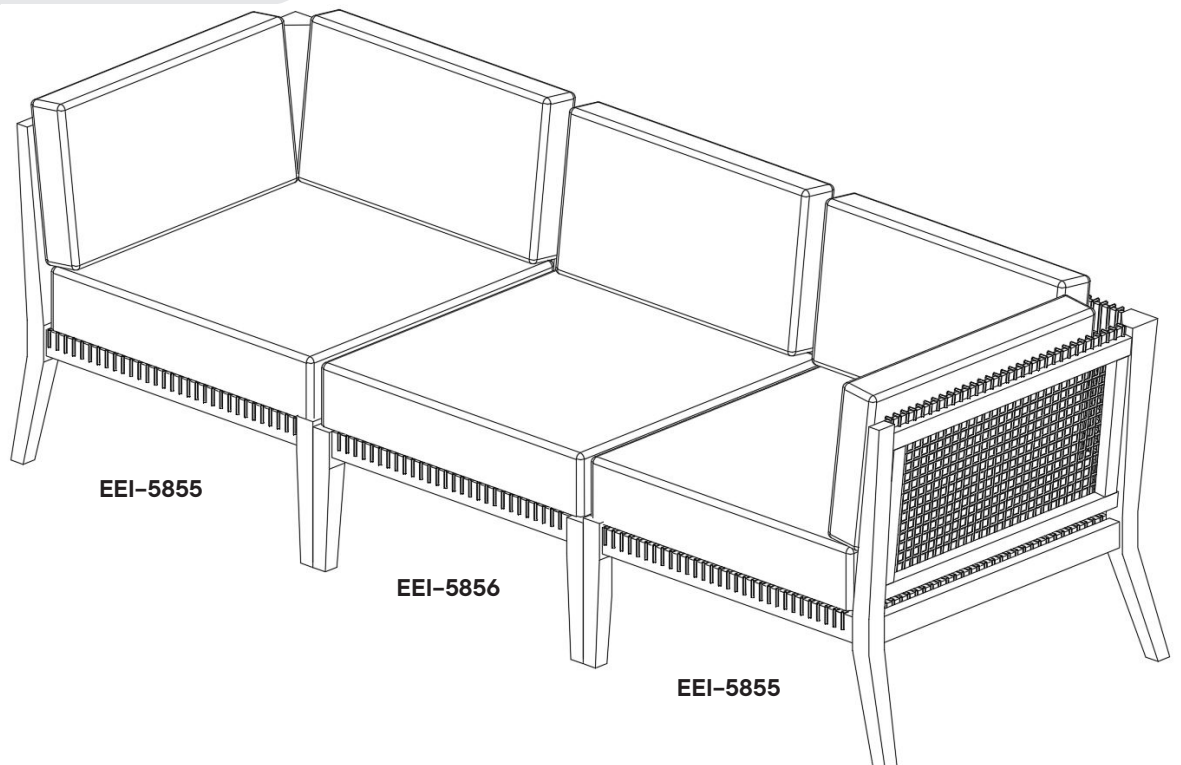
- 1 Sectional Corner x2



Pairing Option

COMPONENTS

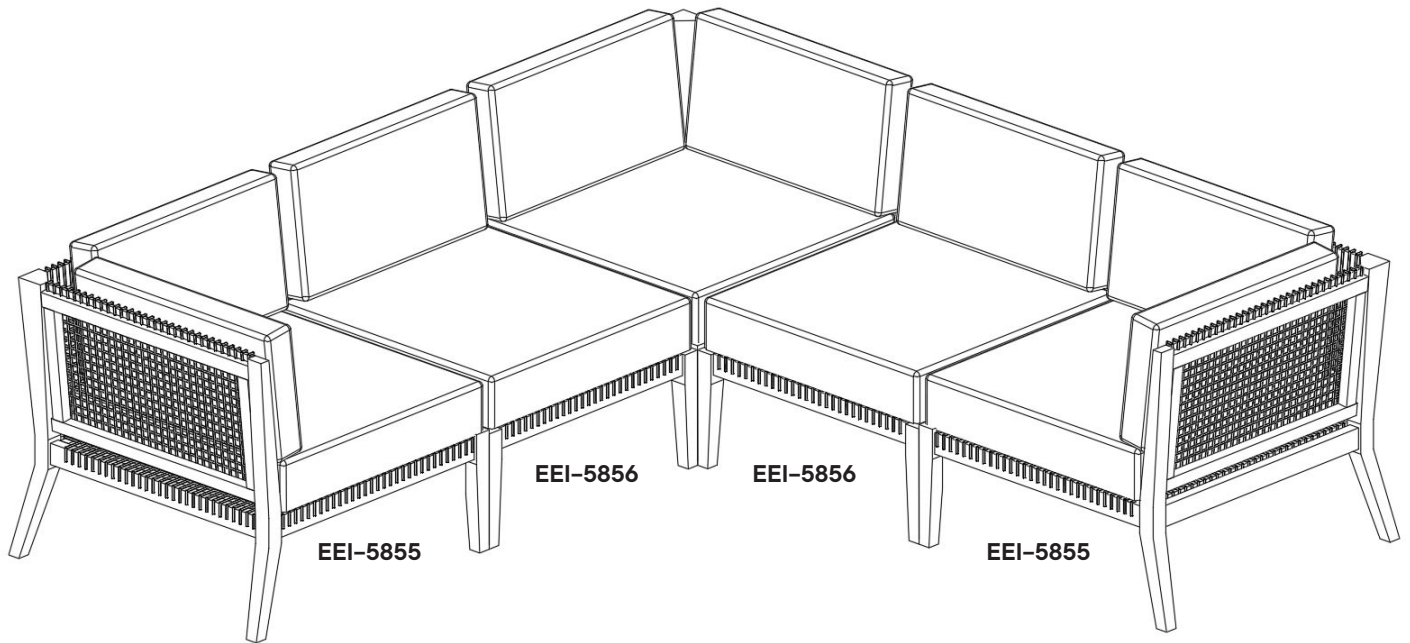
- 1 Sectional Corner x2
- 2 Sectional Armless x1



Pairing Option

COMPONENTS

- 1 Sectional Corner x3
- 2 Sectional Corner x2



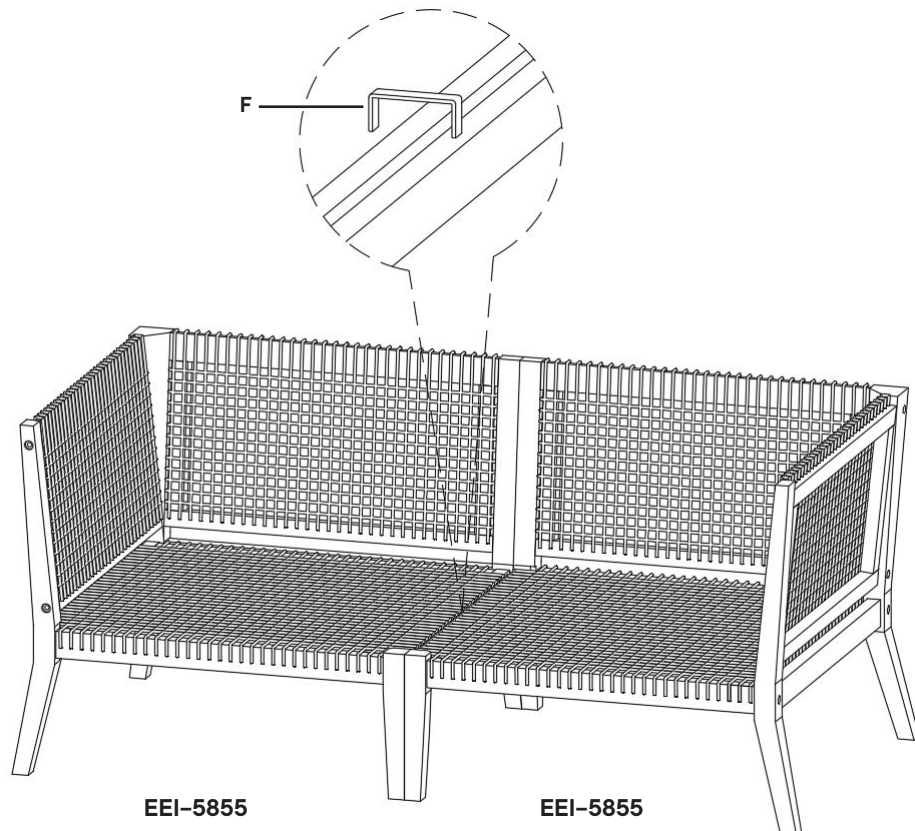
Pairing Option

HARDWARE

- F Connector x1

COMPONENTS

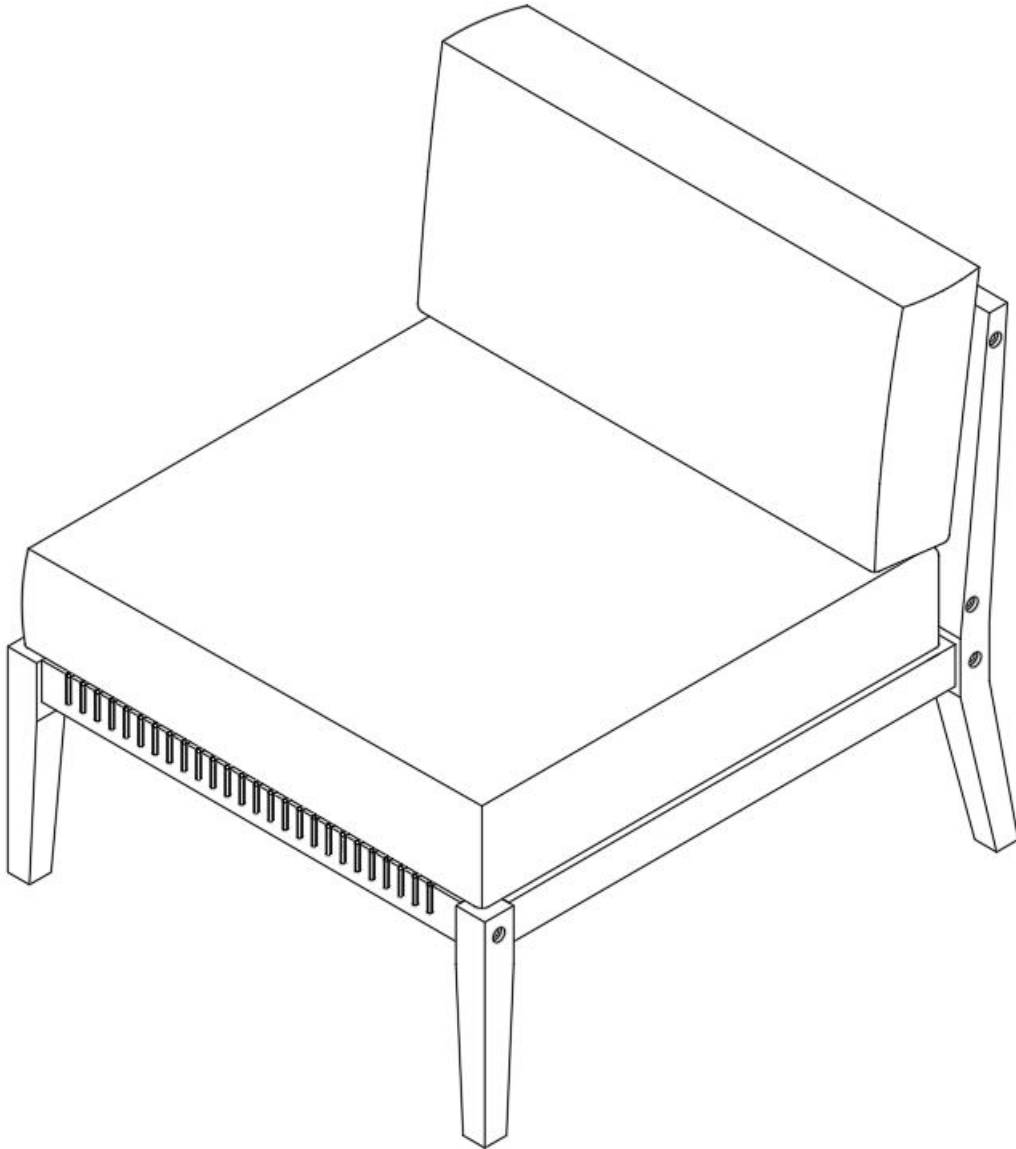
- 1 Sectional Corner x2



ASSEMBLY INSTRUCTIONS

EEI-5856

V1.21.03.21



Questions? Contact us!

609.256.9000 • cs@modway.com
www.modway.com

*modway

Let's get started!

***modway**



Read through all of the instructions before starting



Care instructions are listed in the last step of this manual



Approx. 30 minutes assembly time



Make sure you have all parts and components before discarding any packing materials



2 people recommended for assembly

Only use hand tools to assemble this item. Do not use power tools. Do not tighten bolts or screws completely until all hardware is lined up and inserted into the holes.

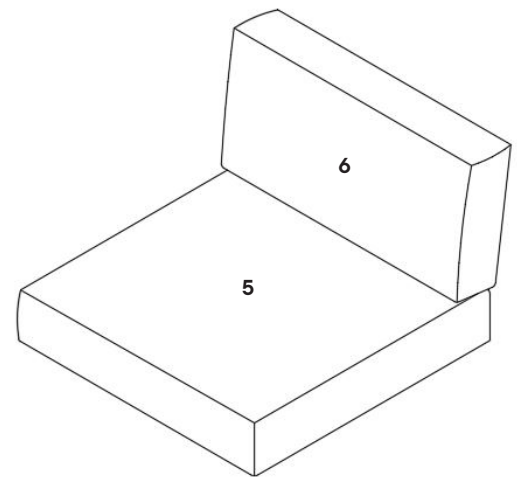
Do not over-tighten screws and bolts to avoid stripping the hardware or cracking the item.

Assemble your item on a flat, carpeted area, with plenty of space to work. This will prevent damage and scratches to your floors or the item while you're assembling the product.






Keep all components and packaging out of reach of children or animals to avoid risk of choking or suffocation.

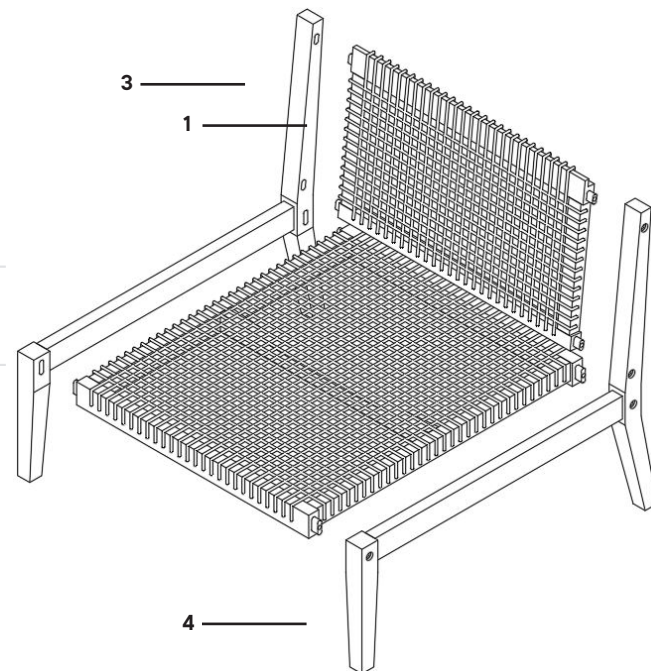
Furniture components:

1	Backrest	x1
2	Seat	x1
3	Left Frame	x1
4	Right Frame	x1
5	Seat Cushion	x1
6	Back Cushion	x1



Provided hardware:

A		Bolt M6 x 50 mm	x8	E		Connector	x1
B		Allen Key	x1				
C		Lock Washer	x8				
D		Flat Washer	x8				



Wait!

Missing parts or hardware? Need assistance?

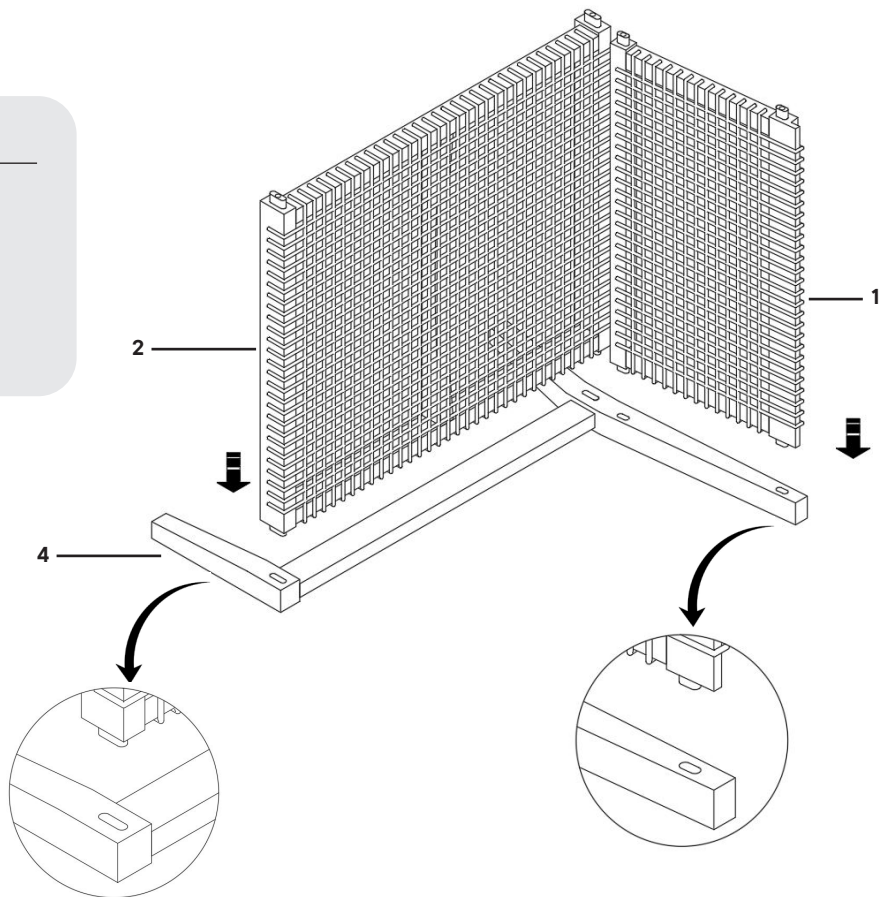
Contact us before returning your item. We're here to help!

609.256.9000 • cs@modway.com

Step 1

COMPONENTS

- ① Backrest x1
- ② Seat x1
- ④ Right Frame x1



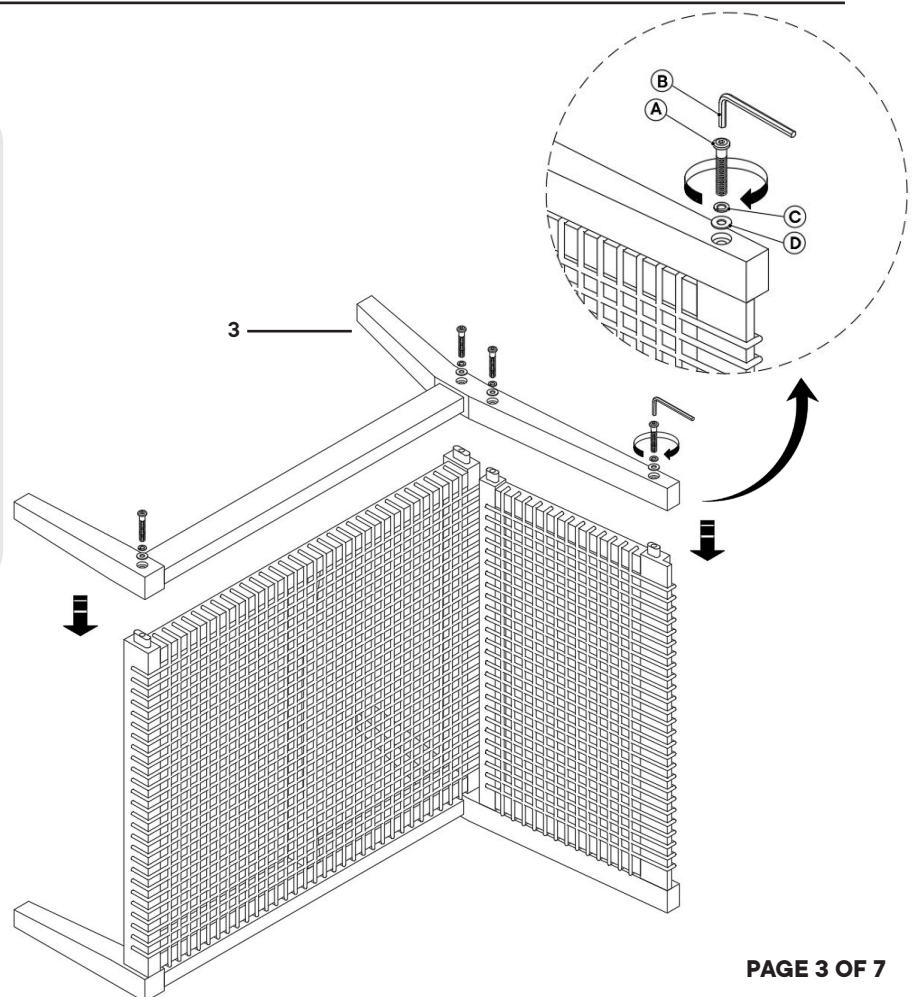
Step 2

HARDWARE

- Ⓐ Bolt M6 x 50 mm x4
- Ⓑ Allen Key x1
- Ⓒ Lock Washer x4
- Ⓓ Flat Washer x4

COMPONENTS

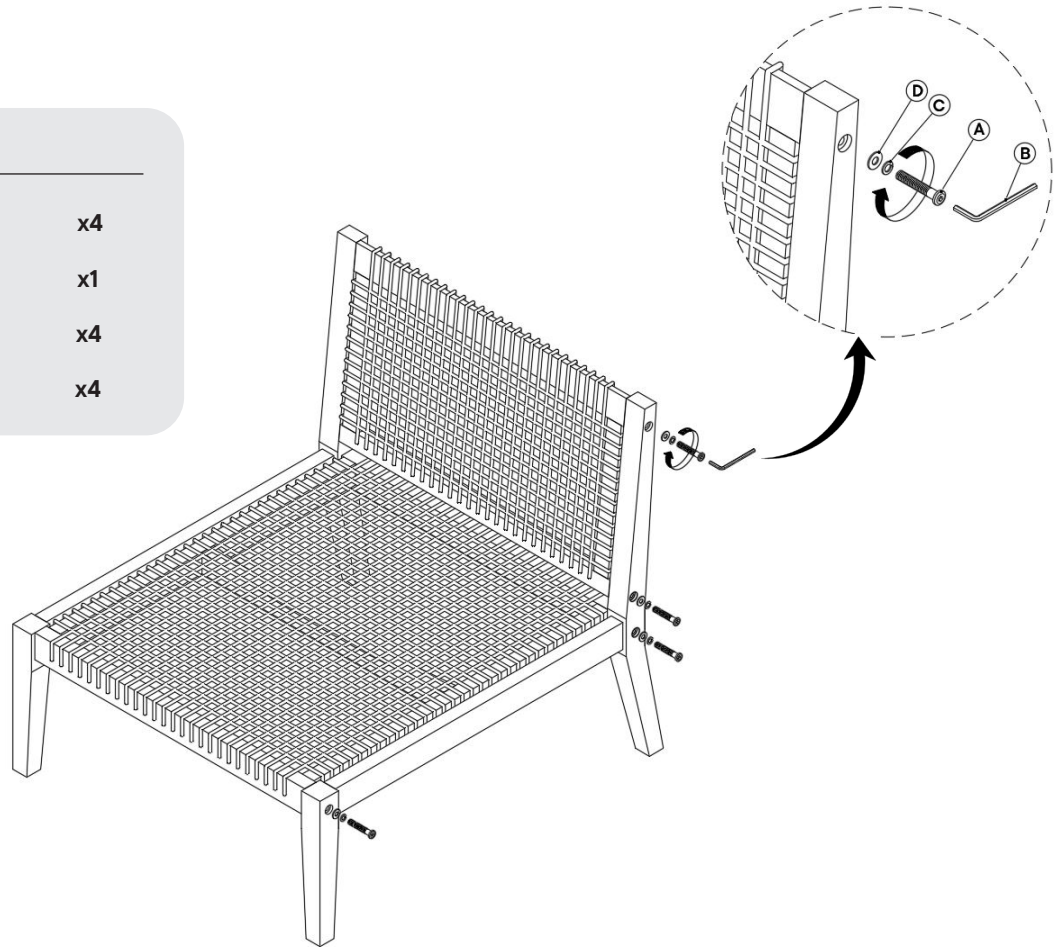
- ③ Left Frame x1



Step 3

HARDWARE

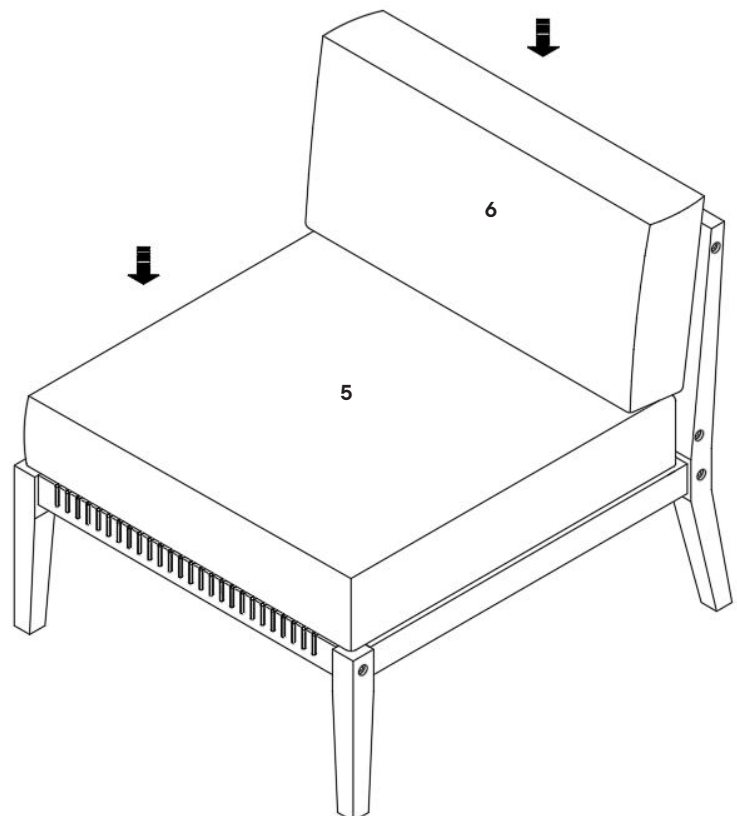
- | | | |
|----------|-----------------|----|
| A | Bolt M6 x 50 mm | x4 |
| B | Allen Key | x1 |
| C | Lock Washer | x4 |
| D | Flat Washer | x4 |



Step 4

COMPONENTS

- | | | |
|----------|--------------|----|
| 5 | Seat Cushion | x1 |
| 6 | Back Cushion | x1 |



Great job!

Your Sectional Armless assembly is complete

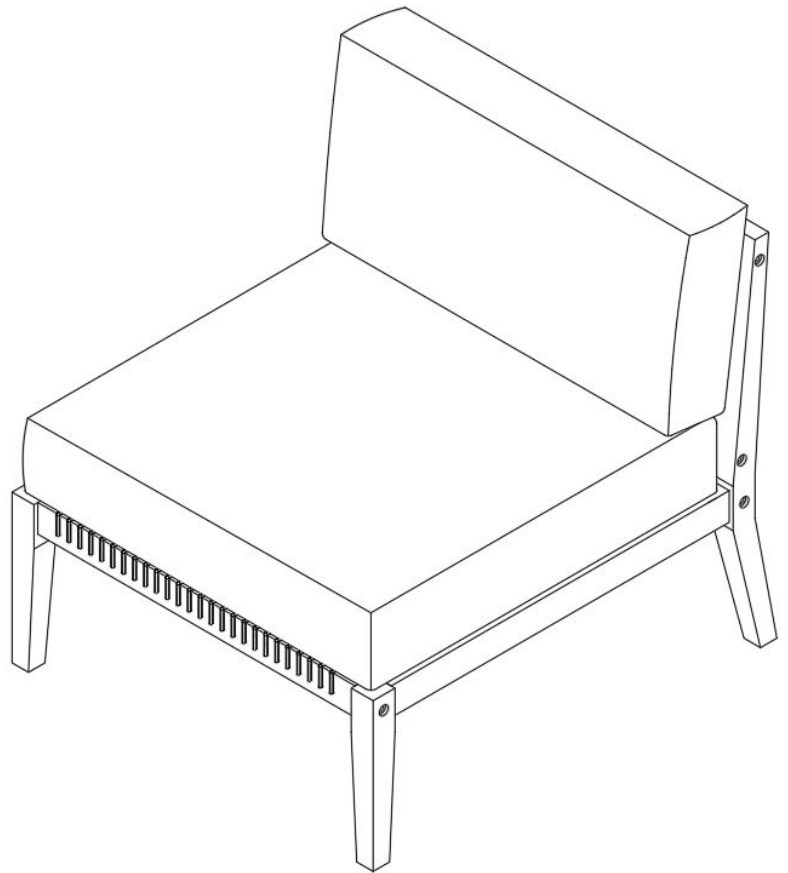
♥ CARING FOR YOUR ITEM

Depending on use, it may be necessary to tighten the hardware from time to time, so please save the tools that have been provided.

Not contract grade.

Clean using a non-abrasive cloth and a mild cleaner.

Retain the rich wood color by occasionally sanding lightly and applying a teak cleaner and protectant. The oils nourish and help restore the original look.



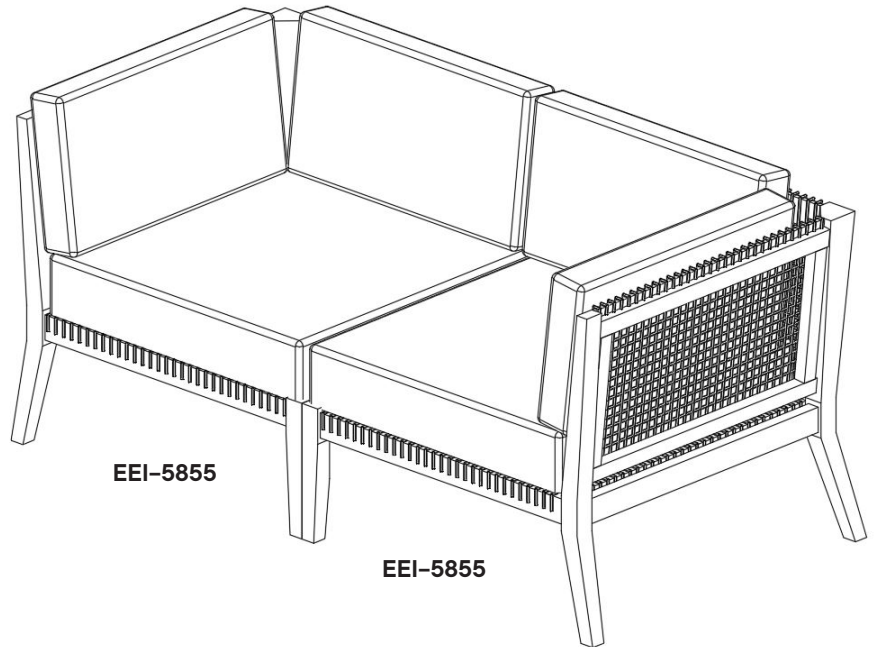
CONNECT WITH US!   

Tag us [@modway_furniture](#) and [#modway](#) for a chance to be featured.

Pairing Option

COMPONENTS

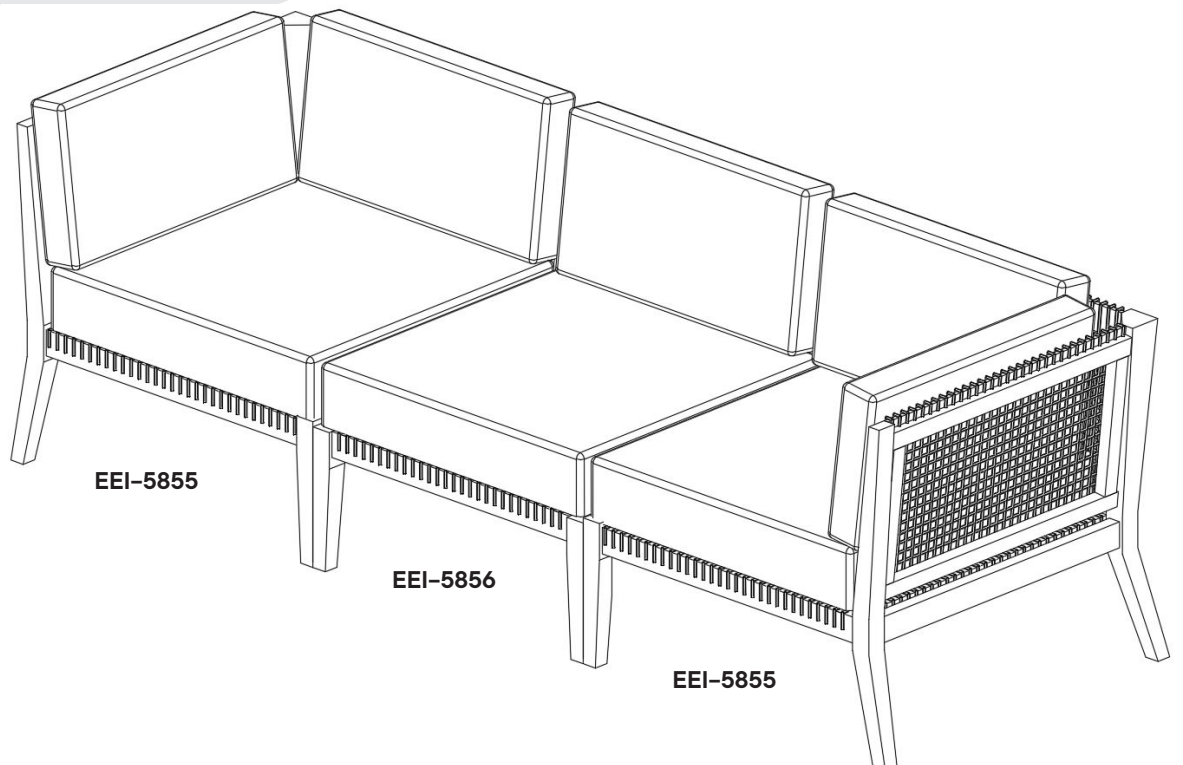
- 1 Sectional Corner x2



Pairing Option

COMPONENTS

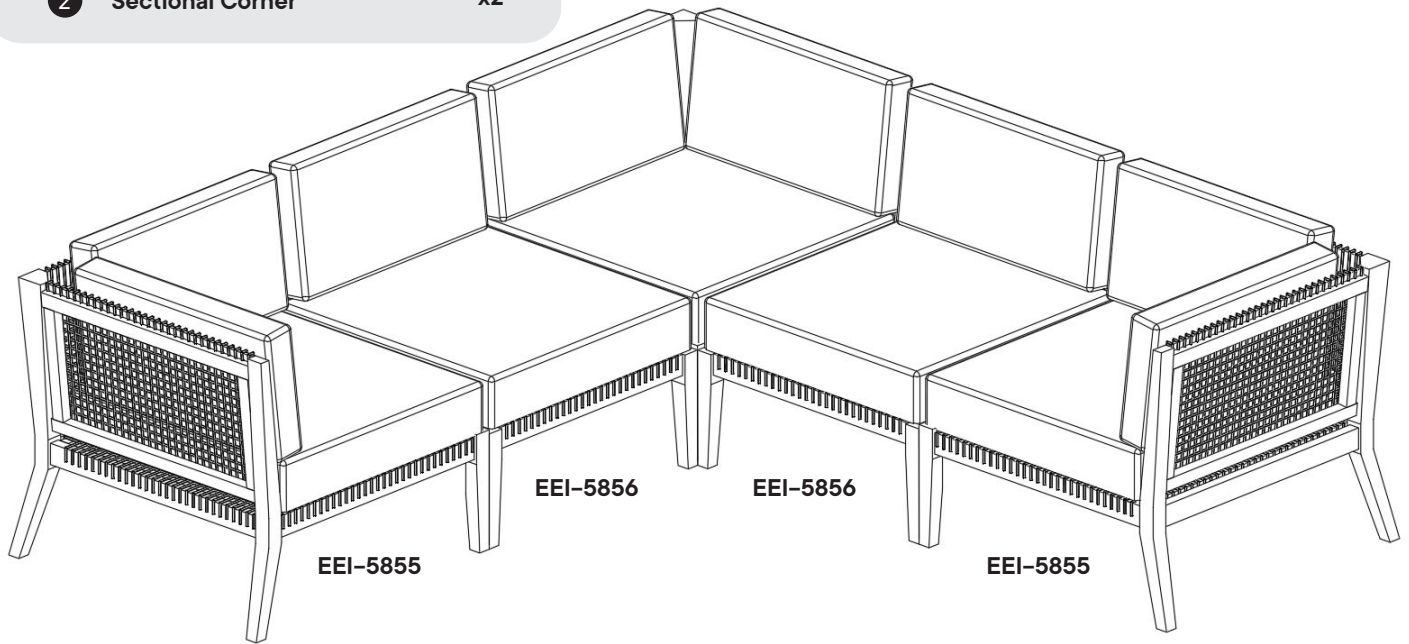
- 1 Sectional Corner x2
- 2 Sectional Armless x1



Pairing Option

COMPONENTS

- 1 Sectional Corner x3
- 2 Sectional Corner x2



Pairing Option

HARDWARE

- E Connector x1

COMPONENTS

- 1 Sectional Armless x1
- 2 Sectional Corner x1

