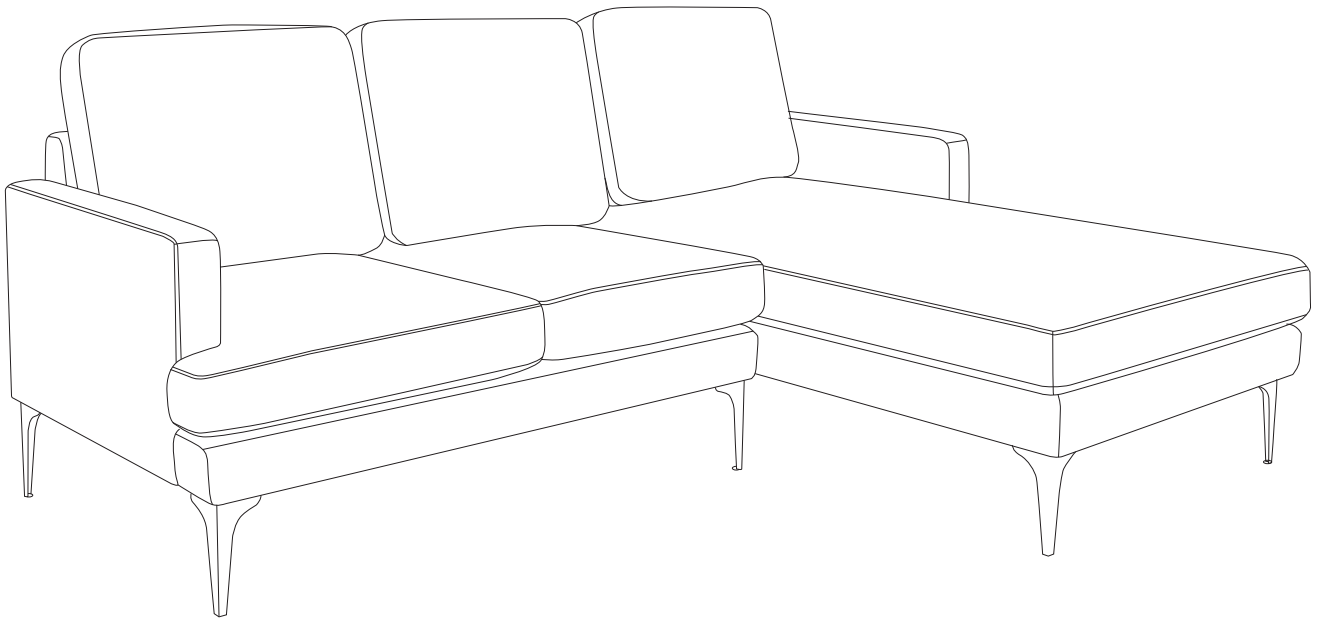


ASSEMBLY INSTRUCTIONS

EEI-6012

V1.09.12.22



Questions? Contact us!

609.256.9000 • cs@modway.com
www.modway.com

*modway

Let's get started!

*modway



Read through all of the instructions before starting



Care instructions are listed in the last step of this manual



Approx. 30 minutes assembly time



Make sure you have all parts and components before discarding any packing materials



2 people recommended for assembly

Only use hand tools to assemble this item. Do not use power tools. Do not tighten bolts or screws completely until all hardware is lined up and inserted into the holes.

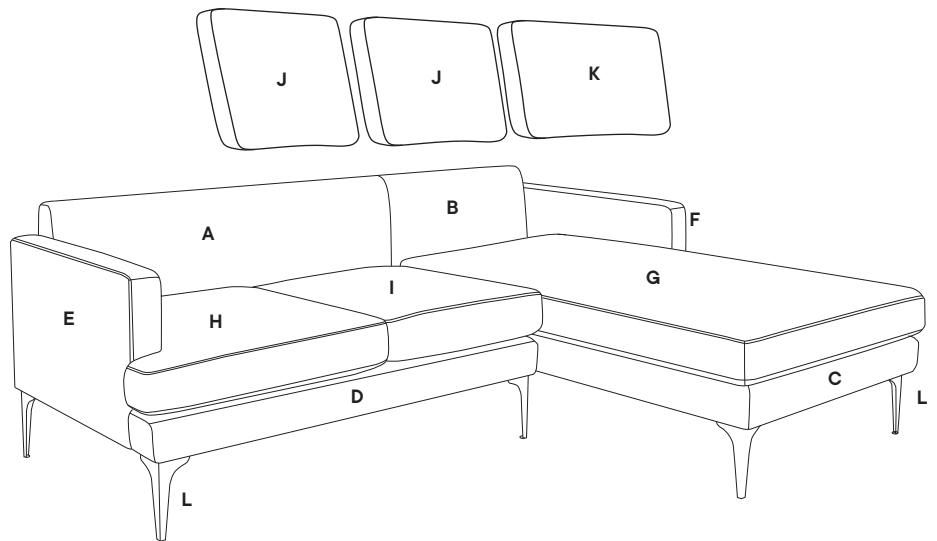
Do not over-tighten screws and bolts to avoid stripping the hardware or cracking the item.

Assemble your item on a flat, carpeted area, with plenty of space to work. This will prevent damage and scratches to your floors or the item while you're assembling the product.

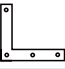





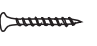

Keep all components and packaging out of reach of children or animals to avoid risk of choking or suffocation.

Furniture components:

A	Left Backrest Base	x1	K	Chaise Back	x1
B	Right Backrest Base	x1	L	Metal Leg	x9
C	Chaise Seat Base	x1			
D	Seat Base	x1			
E	Left Armrest	x1			
F	Right Armrest	x1			
G	Chaise Seat	x1			
H	Seat Cushion	x1			
I	Middle Seat	x1			
J	Back Cushion	x2			



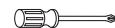
Provided hardware:

M		Iron Angle	x2
N		Bolt M8 x 70mm	x7
O		Bolt M6 x 25mm	x27
P		Spring Washer M8	x7
Q		Flat Washer M8	x7
R		Allen Key M6	x1
S		Bolt M5 x 25mm	x8
Y		Allen Key M6	x1

What you need:



Phillips



Phillips Head Screwdriver

Wait!

Missing parts or hardware? Need assistance?
Contact us before returning your item. We're here to help!
609.256.9000 • cs@modway.com

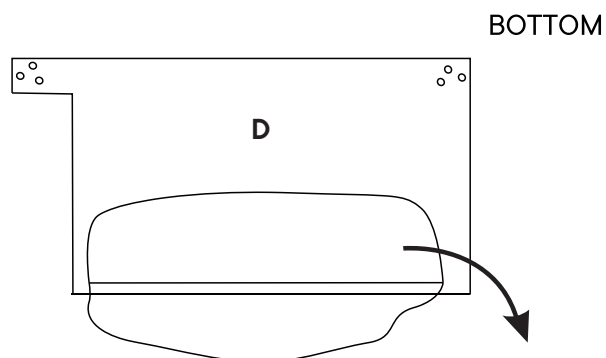
Step 1

COMPONENTS

- D** Seat Base x1
- L** Metal Leg x4

HARDWARE

- M** Iron Angle x1
- N** Bolt M8 x 70mm x4
- O** Bolt M8 x 25mm x12
- P** Spring Washer M8 x4
- Q** Flat Washer M8 x4
- R** Allen Key M6 x1
- S** Bolt M5 x 25mm x4
- Y** Allen Key M6 x1

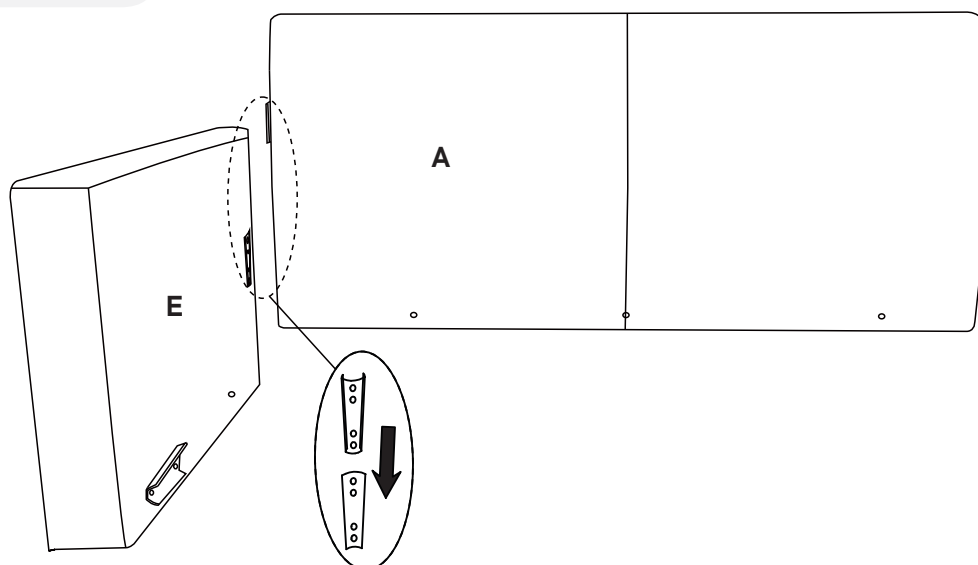


Unzip the bottom cover and locate the Metal Leg (L) + Hardware package.

Step 2

COMPONENTS

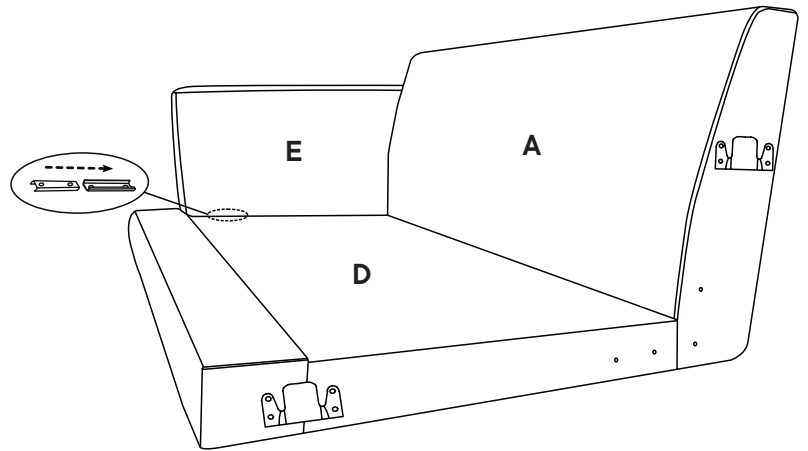
- A** Left Backrest Base x1
- E** Left Armrest x1



Step 3

COMPONENTS

A	Left Backrest Base	x1
D	Seat Base	x1
E	Left Armrest	x1



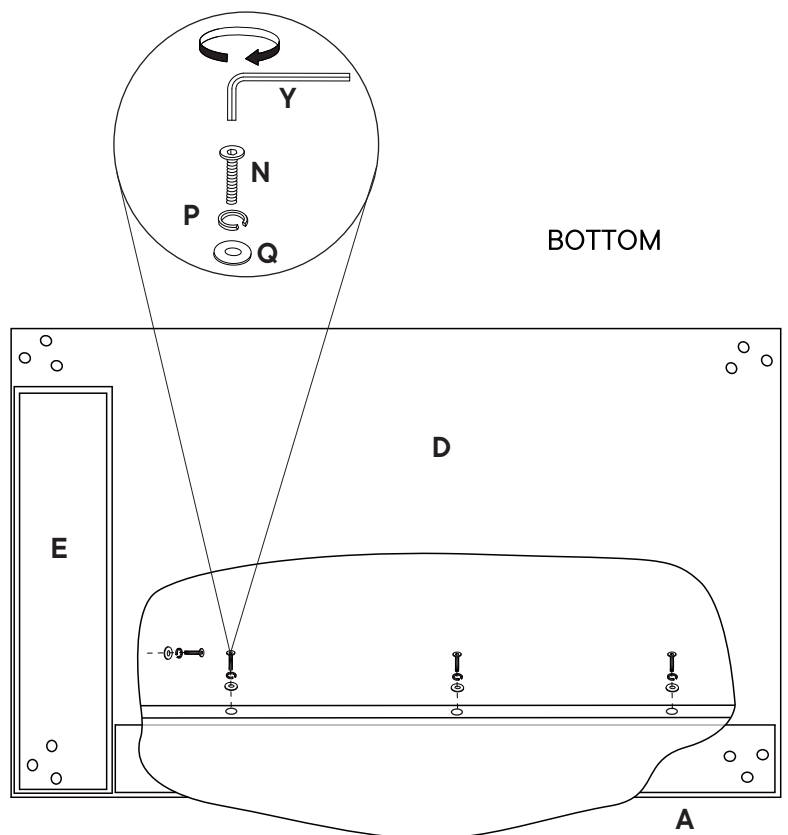
Step 4

COMPONENTS

A	Left Backrest Base	x1
D	Seat Base	x1
E	Left Armrest	x1

HARDWARE

N	Bolt M8 x 70mm	x4
P	Spring Washer M8	x4
Q	Flat Washer M8	x4
Y	Allen Key M6	x1



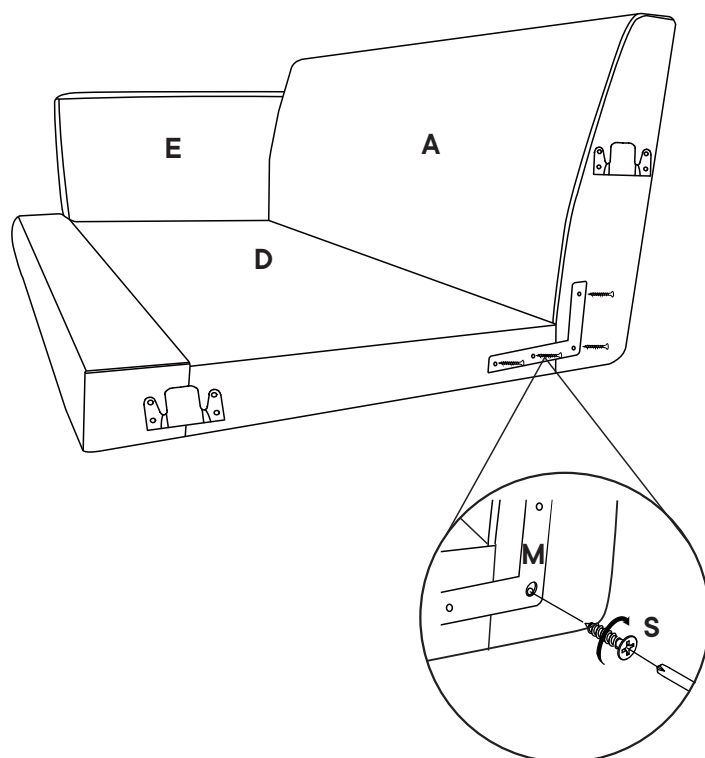
Step 5

COMPONENTS

A	Left Backrest Base	x1
D	Seat Base	x1
E	Left Armrest	x1

HARDWARE

M	Iron Angle	x1
S	Bolt M5 x 25mm	x4



Step 6

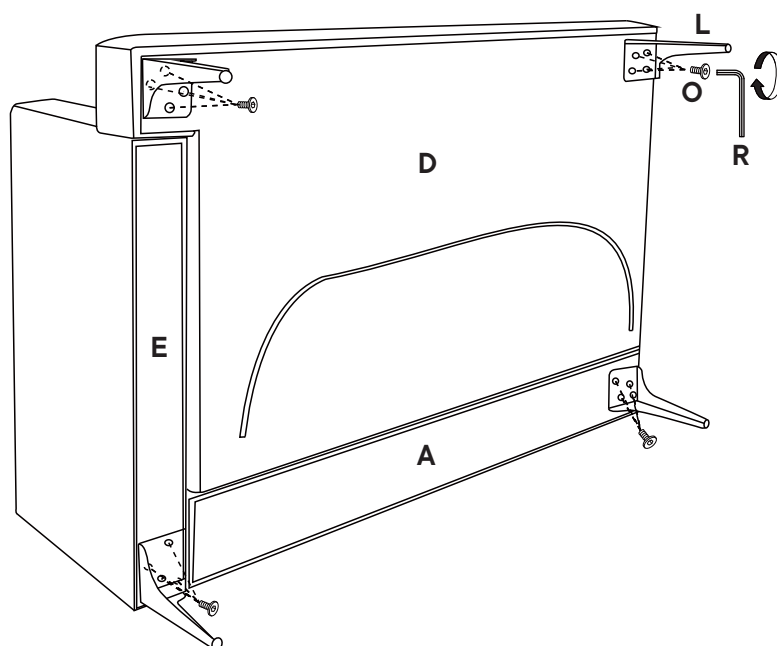
COMPONENTS

A	Left Backrest Base	x1
D	Seat Base	x1
E	Left Armrest	x1
L	Metal Leg	x4

HARDWARE

O	Bolt M6 x 25mm	x12
R	Allen Key M6	x1

Each Metal Leg (L) require assembly 3 bolt only.



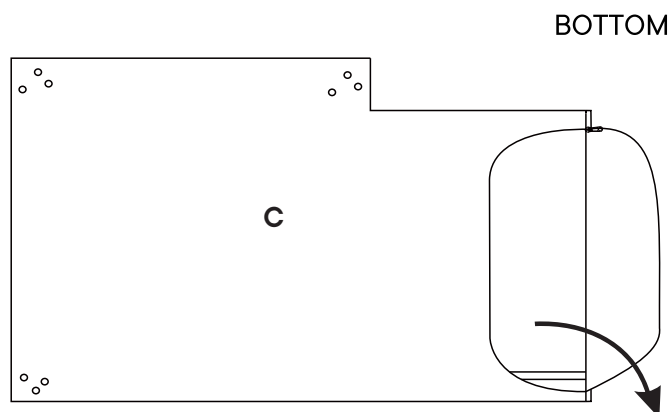
Step 7

COMPONENTS

- C** Chaise Seat Base x1
- L** Metal Leg x5

HARDWARE

- M** Iron Angle x1
- N** Bolt M8 x 70mm x3
- O** Bolt M8 x 25mm x15
- P** Spring Washer M8 x3
- Q** Flat Washer M8 x3
- S** Bolt M5 x 25mm x4

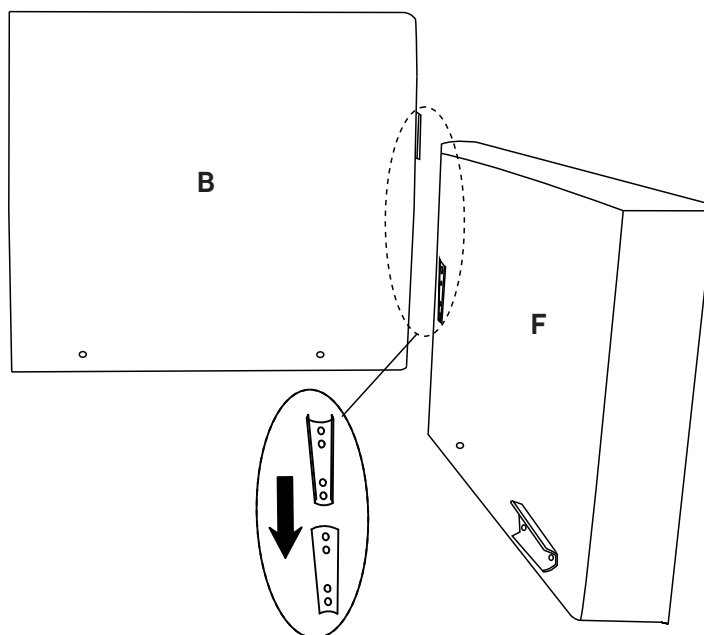


Unzip the bottom cover and locate the Metal Leg (L) + Hardware package.

Step 8

COMPONENTS

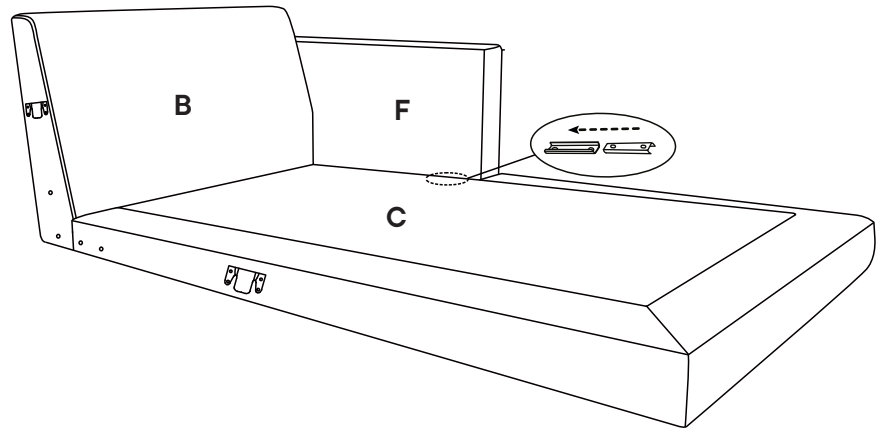
- B** Right Backrest Base x1
- F** Right Armrest x1



Step 9

COMPONENTS

B	Right Backrest Base	x1
C	Chaise Seat Base	x1
F	Right Armrest	x1



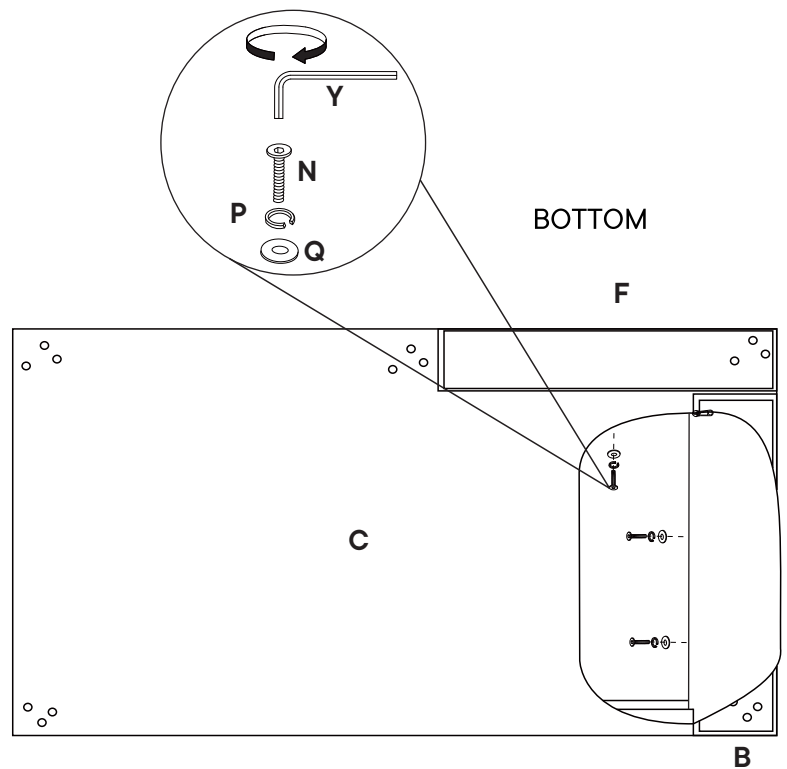
Step 10

COMPONENTS

B	Right Backrest Base	x1
C	Chaise Seat Base	x1
F	Right Armrest	x1

HARDWARE

N	Bolt M8 x 70mm	x3
P	Spring Washer M8	x3
Q	Flat Washer M8	x3
Y	Allen Key M6	x1



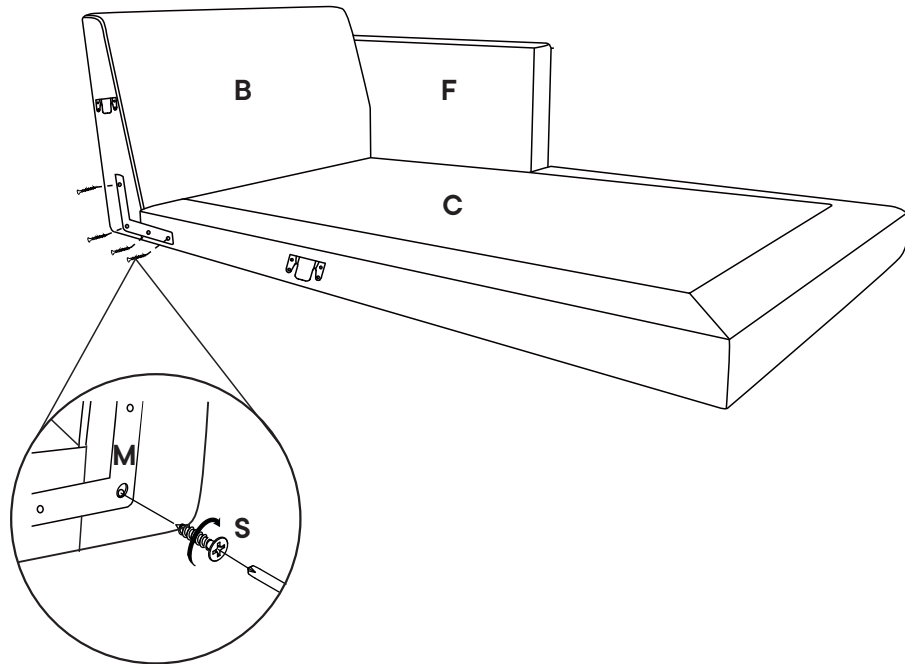
Step 11

COMPONENTS

B	Right Backrest Base	x1
C	Chaise Seat Base	x1
F	Right Armrest	x1

HARDWARE

M	Iron Angle	x1
S	Bolt M5 x 25mm	x4



Step 12

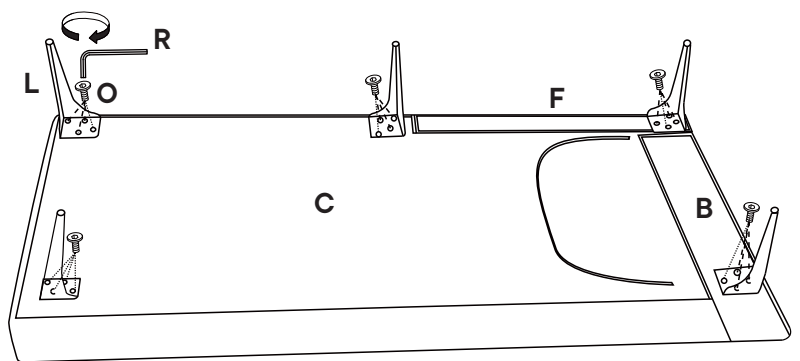
COMPONENTS

B	Right Backrest Base	x1
C	Chaise Seat Base	x1
F	Right Armrest	x1
L	Metal Leg	x5

HARDWARE

O	Bolt M6 x 25mm	x15
R	Allen Key M6	x1

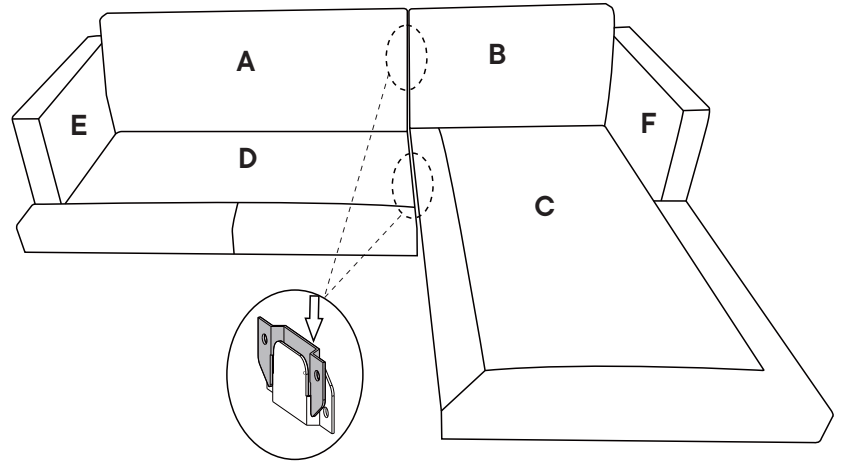
Each Metal Leg (L) require assembly 3 bolt only.



Step 13

COMPONENTS

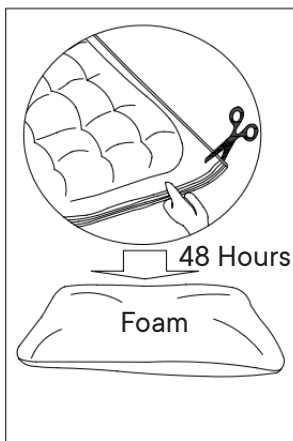
- A** Left Backrest Base x1
- B** Right Backrest Base x1
- C** Chaise Seat Base x1
- D** Seat Base x1
- E** Left Armrest x1
- F** Right Armrest x1



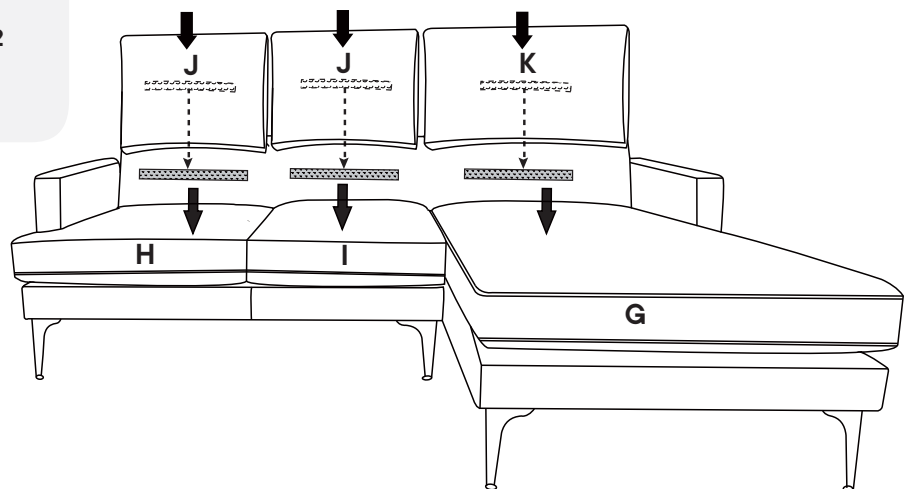
Step 14

COMPONENTS

- G** Chaise Seat x1
- H** Seat Cushion x1
- I** Middle Seat x1
- J** Back Cushion x2
- K** Chaise Back x1



The cushion will be fully expanded in 48H.



Great job!

Your sectional sofa is complete and ready to enjoy.

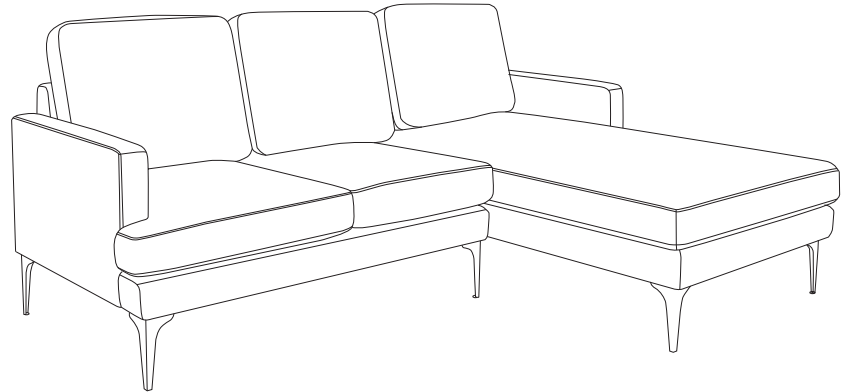
♥ CARING FOR YOUR ITEM

Indoor use only.

Not contract grade.

Clean using a non-abrasive cloth and a mild cleaner.

Never use harsh chemicals, as they could damage the finish or integrity of the item.



CONNECT WITH US!

Tag us [@modway_furniture](#) and [#modway](#) for a chance to be featured.