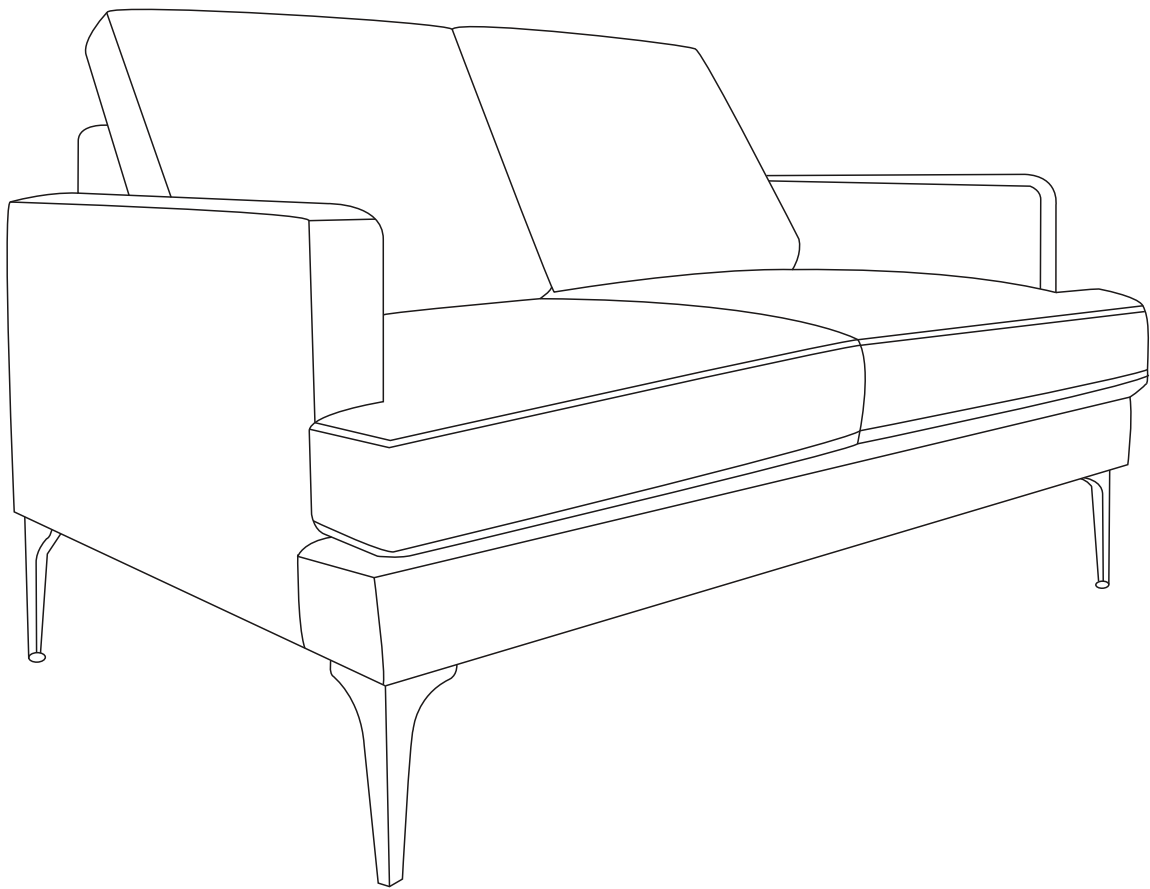


ASSEMBLY INSTRUCTIONS

EEI-6006

V1.09.12.22



Questions? Contact us!

609.256.9000 • cs@modway.com
www.modway.com

*modway

Let's get started!

*modway



Read through all of the instructions before starting



Care instructions are listed in the last step of this manual



Approx. 30 minutes assembly time



Make sure you have all parts and components before discarding any packing materials



2 people recommended for assembly

Only use hand tools to assemble this item. Do not use power tools. Do not tighten bolts or screws completely until all hardware is lined up and inserted into the holes.

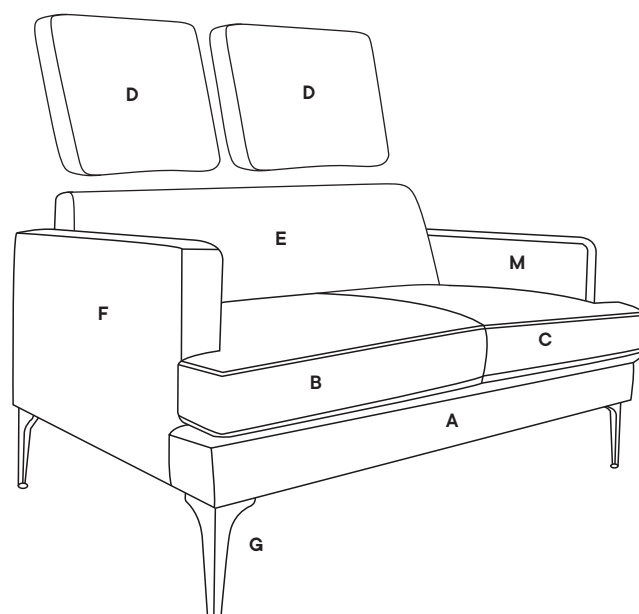
Do not over-tighten screws and bolts to avoid stripping the hardware or cracking the item.

Assemble your item on a flat, carpeted area, with plenty of space to work. This will prevent damage and scratches to your floors or the item while you're assembling the product.

Keep all components and packaging out of reach of children or animals to avoid risk of choking or suffocation.

Furniture components:

A	Seat Base	x1
B	Left Seat Cushion	x1
C	Right Seat Cushion	x1
D	Back Cushion	x2
E	Backrest Base	x1
F	Left Armrest	x1
G	Metal Leg	x4
M	Right Armrest	x1



Provided hardware:

H		Bolt M6 x 25mm	x12
I		Bolt M8 x 70mm	x2
J		Spring Washer M8	x2
K		Flat Washer M8	x2
L		Allen Key M6	x1

Wait!

Missing parts or hardware? Need assistance?
Contact us before returning your item. We're here to help!
609.256.9000 • cs@modway.com

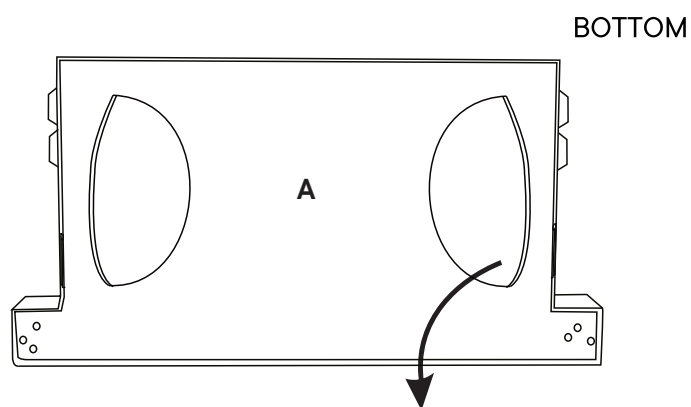
Step 1

COMPONENTS

A	Seat Base	x1
G	Metal Leg	x4

HARDWARE

H	Bolt M6 x 25mm	x12
I	Bolt M8 x 70mm	x2
J	Spring Washer M8	x2
K	Flat Washer M8	x2
L	Allen Key M6	x1

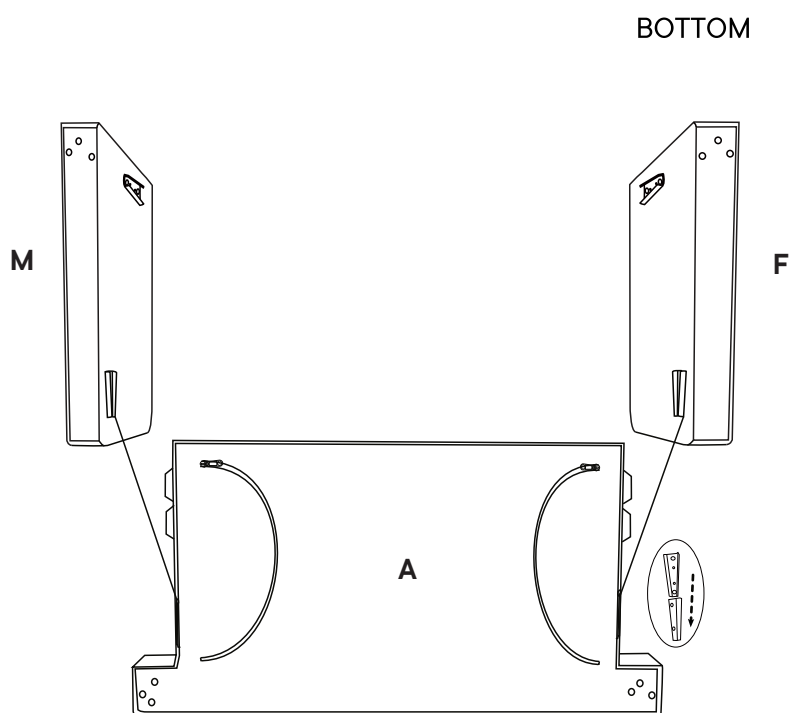


Unzip the bottom cover and locate the Metal Leg (G) + Hardware package.

Step 2

COMPONENTS

A	Seat Base	x1
F	Left Armrest	x1
M	Right Armrest	x1



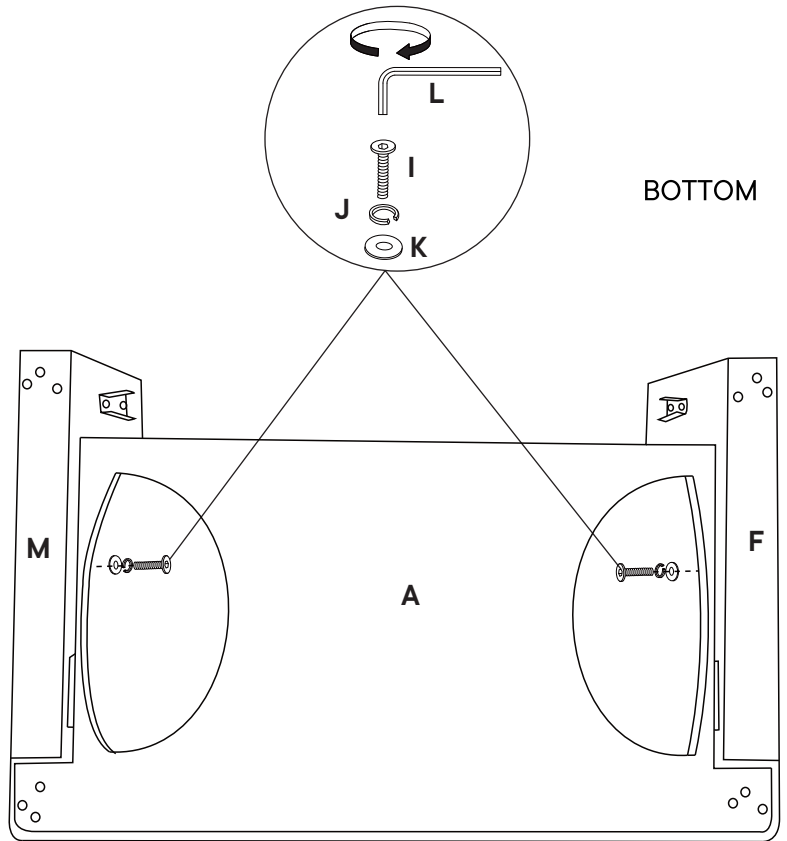
Step 3

COMPONENTS

- A** Seat Base x1
- F** Left Armrest x1
- M** Right Armrest x1

HARDWARE

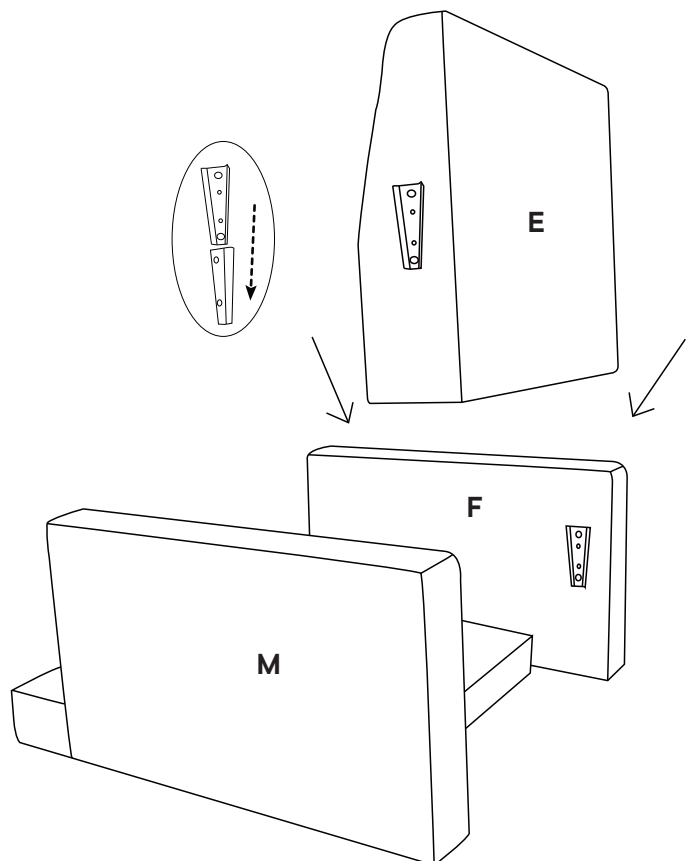
- I** Bolt M8 x 70mm x2
- J** Spring Washer M8 x2
- K** Flat Washer M8 x2
- L** Allen Key M6 x1



Step 4

COMPONENTS

- E** Backrest Base x1
- F** Left Armrest x1
- M** Right Armrest x1



Step 5

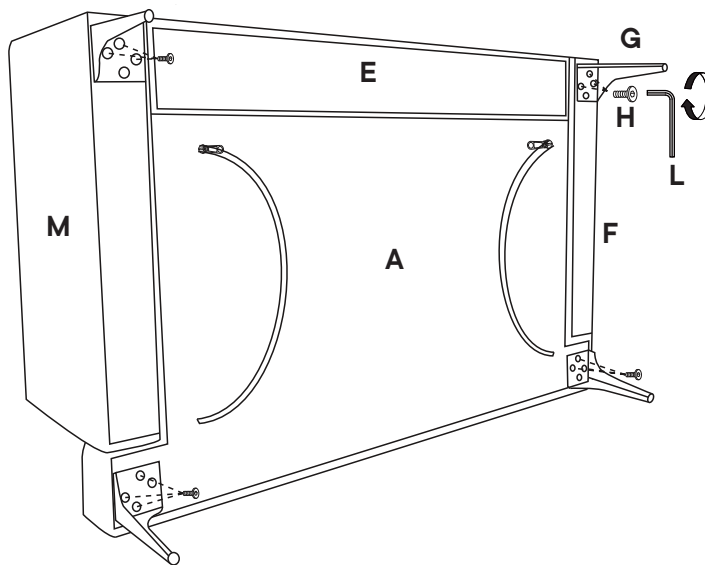
COMPONENTS

A	Seat Base	x1
E	Backrest Base	x1
F	Left Armrest	x1
M	Right Armrest	x1
G	Metal Leg	x4

HARDWARE

H	Bolt M6 x 25mm	x12
L	Allen Key M6	x1

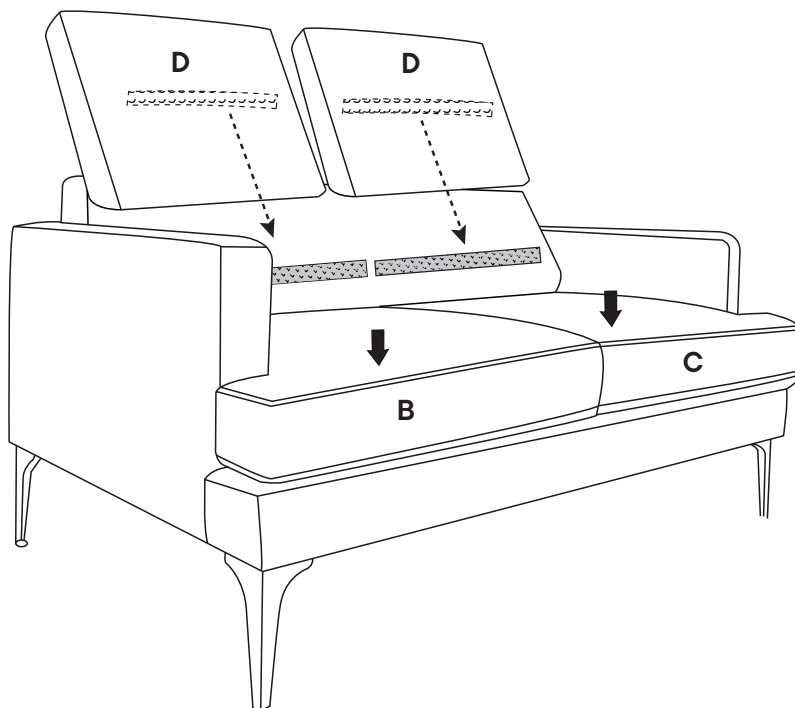
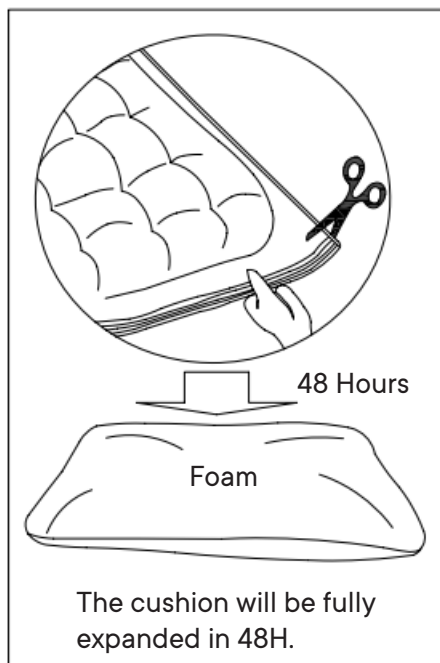
Each Metal Leg (G) require assembly 3 bolt only.



Step 6

COMPONENTS

B	Left Seat Cushion	x1
C	Right Seat Cushion	x1
D	Back Cushion	x2



Great job!

Your loveseat is complete and ready to enjoy.

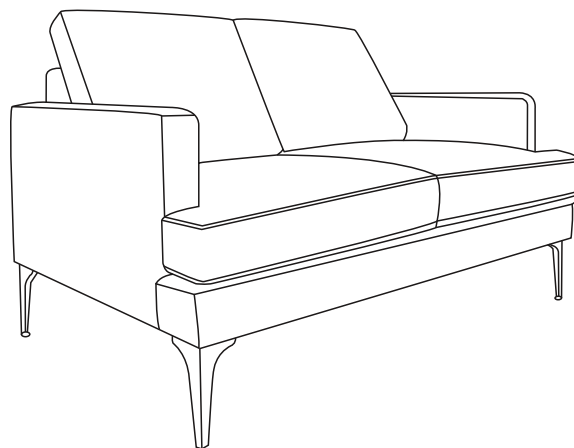
♥ CARING FOR YOUR ITEM

Indoor use only.

Not contract grade.

Clean using a non-abrasive cloth and a mild cleaner.

Never use harsh chemicals, as they could damage the finish or integrity of the item.



CONNECT WITH US!   

Tag us [@modway_furniture](#) and [#modway](#) for a chance to be featured.