

ASSEMBLY INSTRUCTIONS

Desk

EEl-5865 / V4.07.22.25

modway



Questions? Contact us!

609.256.9000

cs@modway.com

Welcome.

Let's get started.

Before you begin, here are some things to keep in mind:

Assembly will take most people **about 90 minutes**. Consider having a friend help you!

Only use hand tools to assemble this item
Do not use power tools. Do not tighten bolts or screws completely until all hardware is lined up and inserted into the holes.

Read through all of the instructions before starting. Make sure you have all parts and components before discarding any packing materials.

Do not over-tighten screws and bolts to avoid stripping the hardware or cracking the item.

Assemble your item on a flat, carpeted area, with plenty of space to work. This will prevent damage and scratches to your floors or the item while you're assembling the product.

Keep all components and packaging out of reach of children or animals to avoid risk of choking or suffocation.










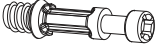
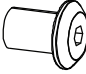







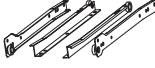

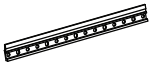


Care instructions are listed in the last step of this manual.

WAIT!

Missing parts or hardware? Need assistance?
Contact us before returning your item.
We're here to help!



HARDWARE INCLUDED IN THE BOX:

A		Cam Bolt Ø6 x 35 mm	x23
B		Cam Lock Ø15 mm	x23
C		Cam Lock Ø12 mm	x8
D		Wood Dowel Ø8 x 30 mm	x40
E		Wood Dowel Ø6 x 30 mm	x4
F		Screw M 6 x 10.5 mm	x20
G		Screw M 3.5 x 13 mm	x12
H		Screw M 4 x 39 mm	x8
I		Allen Key	x2
J		Cam Bolt Ø6 x 32 mm	x8
K		JCN Nut	x12
L		Screw M 3.5 x 15.5 mm	x8
M		Wedge	x8
N		Grommet Cover	x1
O		Screw 5.5 x 45 mm	x16
P		Wall Plug	x16
Q		Screw M 6 x 15 mm	x12
R		Wall Mounted Bolt	x2
RM30A		Drawer Runner	x2
PA63		Long Bracket	x1
PA37		Medium Bracket	x2
PA05		Short Bracket	x6
RB25A		Keyboard Drawer Runner	x1

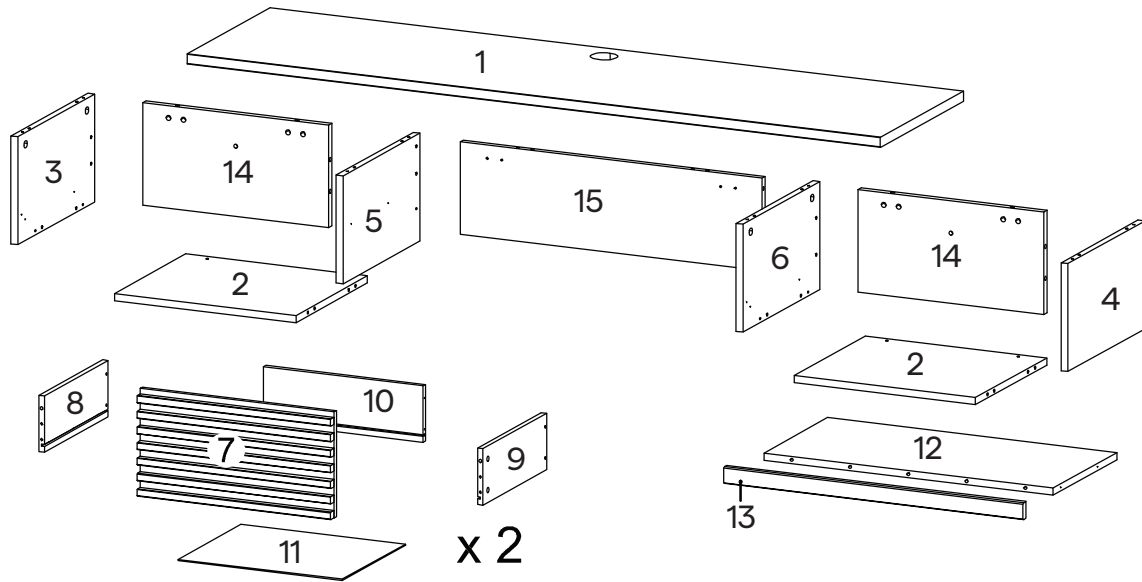
WHAT YOU NEED:



Phillips Head Screwdriver

FURNITURE COMPONENTS INCLUDED IN THE BOX:

All parts are numbered with a sticker according to this list.



1	Top Board	x1	9	Side Drawer Right	x2
2	Bottom Board	x2	10	Back Drawer	x2
3	Side Board Left	x1	11	Bottom Drawer	x2
4	Side Board Right	x1	12	Keyboard Drawer Base	x1
5	Center Board Left	x1	13	Front Skirt	x1
6	Center Board Right	x1	14	Back Board Small	x2
7	Front Drawer	x2	15	Back Board Big	x1
8	Side Drawer Left	x2			

HARDWARE

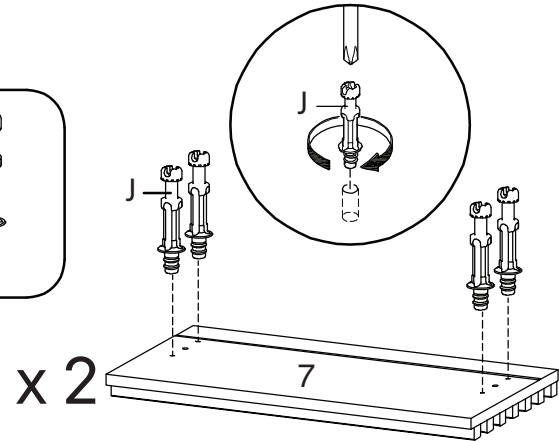
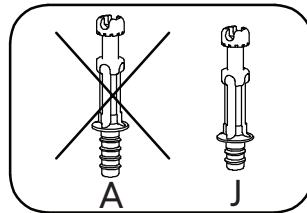
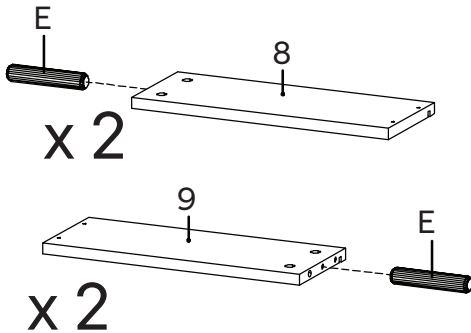
- E** Wood Dowel Ø6 x 30 mm x4
- J** Cam Bolt Ø6 x 32 mm x8

COMPONENTS

- 7** Front Drawer x2
- 8** Side Drawer Left x2
- 9** Side Drawer Right x2

1.1 Insert Cam Bolt Ø6 x 32 mm (J) into the Front Drawer (7), then tighten using screwdriver.

1.2 Insert Wood Dowel Ø6 x 30 mm (E) into Side Drawer Left (8) and Side Drawer Right (9). Position as shown in the picture.



STEP 02

HARDWARE

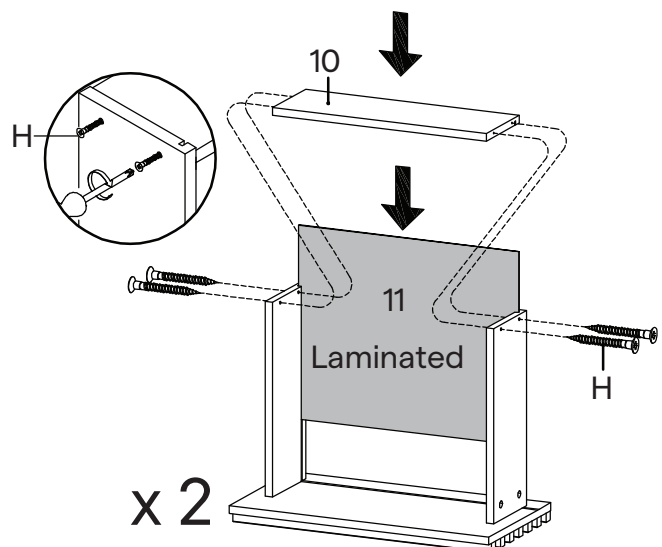
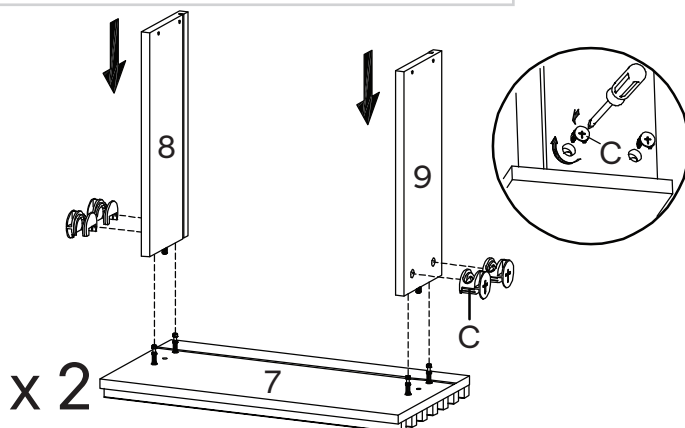
- C** Cam Lock Ø12 mm x8
- H** Screw M 4 x 39 mm x8

COMPONENTS

- 7** Front Drawer x2
- 8** Side Drawer Left x2
- 9** Side Drawer Right x2
- 10** Back Drawer x2
- 11** Bottom Drawer x2

2.1 Attach Side Drawer Left (8) and Side Right (9) to Front Drawer (7), secure with Cam Lock Ø12 mm (C), then tighten using screwdriver.

2.2 Insert Bottom Drawer (11), into Front Drawer with laminated face facing upward. Insert Back Drawer (10) secure with Screw M 4 x 39 mm (H), then tighten using screwdriver. Position as shown in the picture.

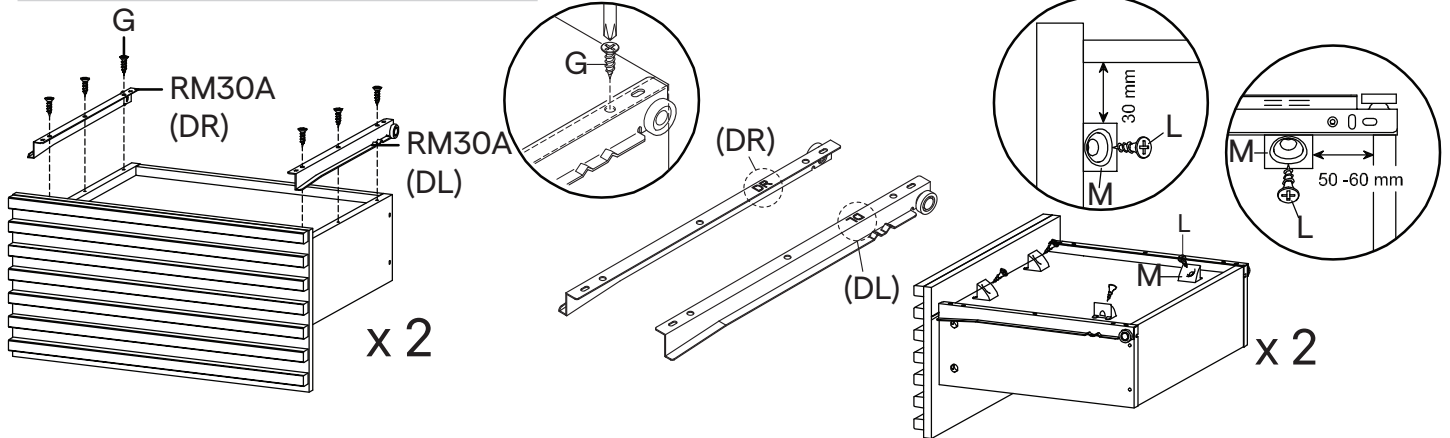


HARDWARE

- G** Screw M 3.5 x 13 mm x12
- L** Screw M 3.5 x 15.5 mm x8
- M** Wedge x8
- RM30A** Drawer Runner x2

3.1 Install Drawer Runner (RM30A) to Side Drawers, Secure with Screw M 3.5 x 13 mm (L), then tighten screw using screwdriver. Position as shown in the figure.

3.2 Insert the Wedge (M) and Screw M 3.5 x 15.5 mm (L) into the bottom of the drawer then tighten the screw using screwdriver and the position according to the picture.



STEP 04

HARDWARE

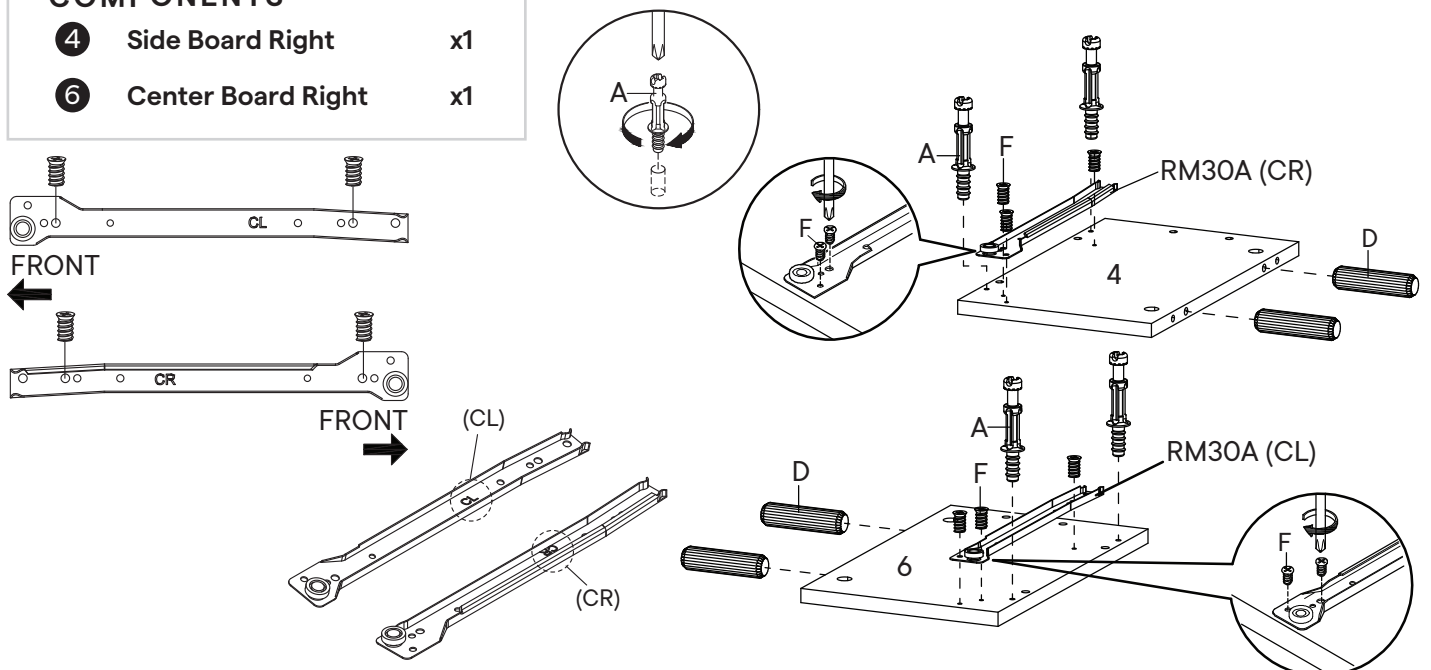
- A** Cam Bolt Ø6 x 35 mm x4
- D** Wood Dowel Ø8 x 30 mm x4
- F** Screw M 6 x 10.5 mm x6
- RM30A** Drawer Runner x1

COMPONENTS

- 4** Side Board Right x1
- 6** Center Board Right x1

4.1 Install Drawer Runner (RM30A) (CR) to Side Board Right (4), secure with Screw M 6 x 10.5 mm (F), insert Cam Bolt Ø6 x 35 mm (A) tighten using screwdriver. Then insert Wood Dowel Ø8 x 30 mm (D).

4.2 Install Drawer Runner (RM30A) (CL) to Center Board Right (6), secure with Screw M 6 x 10.5 mm (F), insert Cam Bolt Ø6 x 35 mm (A) tighten using screwdriver. Then insert Wood Dowel Ø8 x 30 mm (D).



HARDWARE

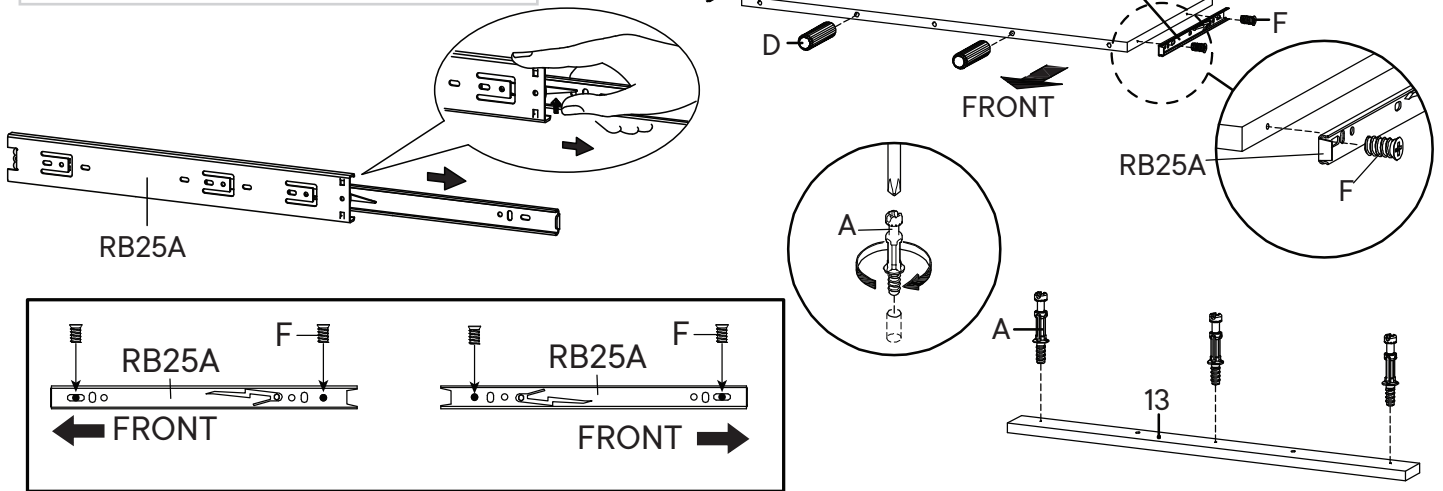
- A** Cam Bolt Ø6 x 35 mm x3
- D** Wood Dowel Ø8 x 30 mm x2
- F** Screw M 6 x 10.5 mm x4
- RB25A** Keyboard Drawer Runner x1

COMPONENTS

- 12** Keyboard Drawer Base x1
- 13** Front Skirt x1

5.1 Slide and Remove Part of Keyboard Drawer Runner (RB25A) for installation. Fully extend the slide, then press the release lever on both sides (up or down depending on the side) and pull out the inner rail completely. Install this part on the Keyboard Drawer Base (12), secure with Screw M 6 x 10.5 mm (F), then tighten screw using screwdriver, then insert Wood Dowel Ø8 x 30 mm (D). Position as shown in the figure.

5.2 Insert Cam Bolt Ø6 x 35 mm (A) into the Front Skirt (13), then tighten using screwdriver. Position as shown in the figure.



STEP 06

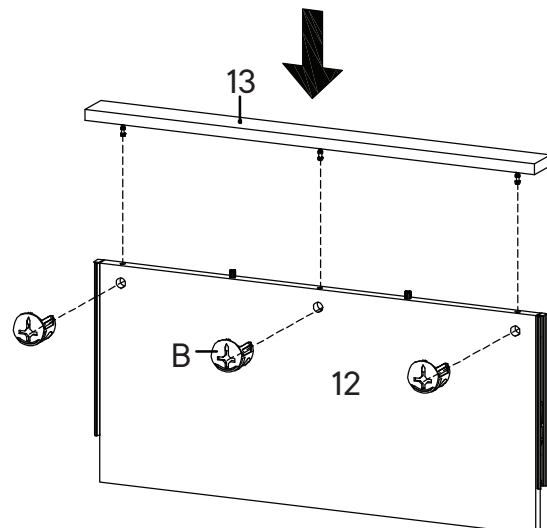
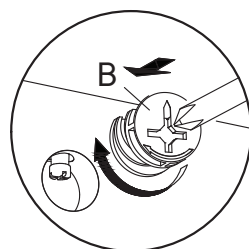
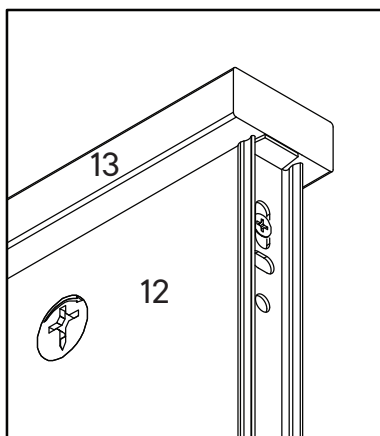
HARDWARE

- B** Cam Lock Ø15 mm x3

COMPONENTS

- 12** Keyboard Drawer Base x1
- 13** Front Skirt x1

6.1 Attach Front Skirt (13) to Keyboard Drawer Base (12), secure with Cam Lock Ø15 mm (B), then tighten using screwdriver. Position as shown in the figure.



HARDWARE

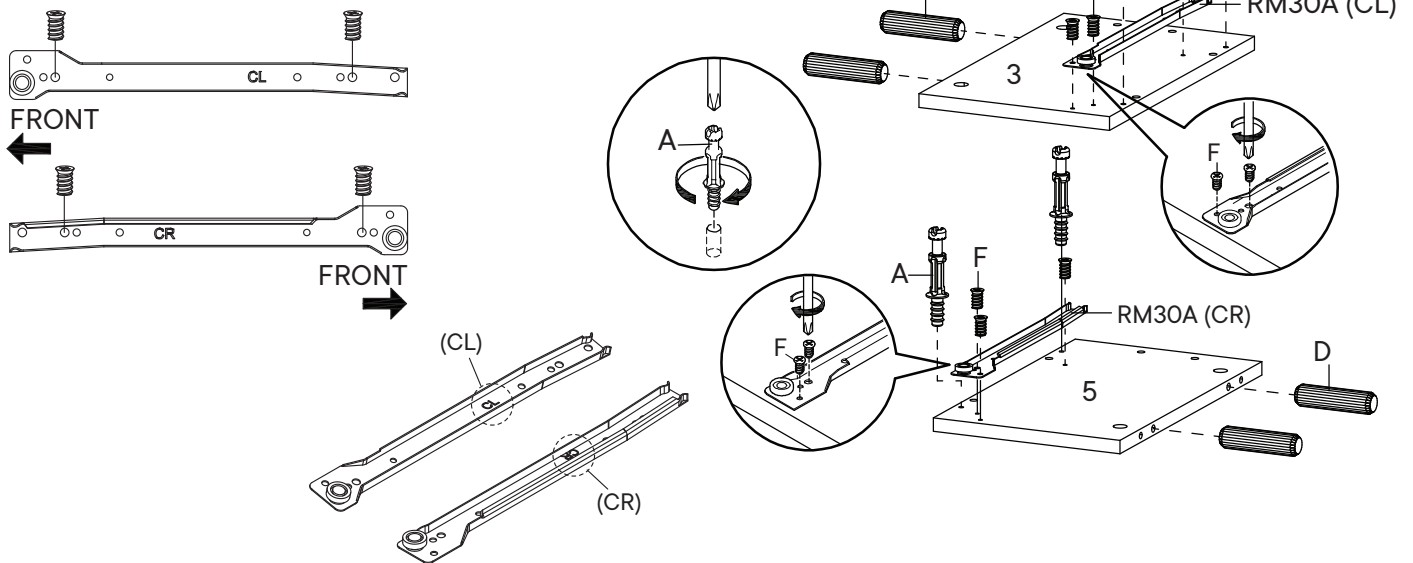
- A** Cam Bolt Ø6 x 35 mm x4
- D** Wood Dowel Ø8 x 30 mm x4
- F** Screw M 6 x 10.5 mm x6
- RM30A** Drawer Runner x1

COMPONENTS

- 3** Side Board Left x1
- 5** Center Board Left x1

7.1 Install Drawer Runner (RM30A) (CL) to Side Board Left (3), secure with Screw M 6 x 10.5 mm (F), insert Cam Bolt Ø6 x 35 mm (A) tighten using screwdriver. Then insert Wood Dowel Ø8 x 30 mm (D).

7.2 Install Drawer Runner (RM30A) (CR) to Center Board Left (5), secure with Screw M 6 x 10.5 mm (F), insert Cam Bolt Ø6 x 35 mm (A) tighten using screwdriver. Then insert Wood Dowel Ø8 x 30 mm (D).



STEP 08

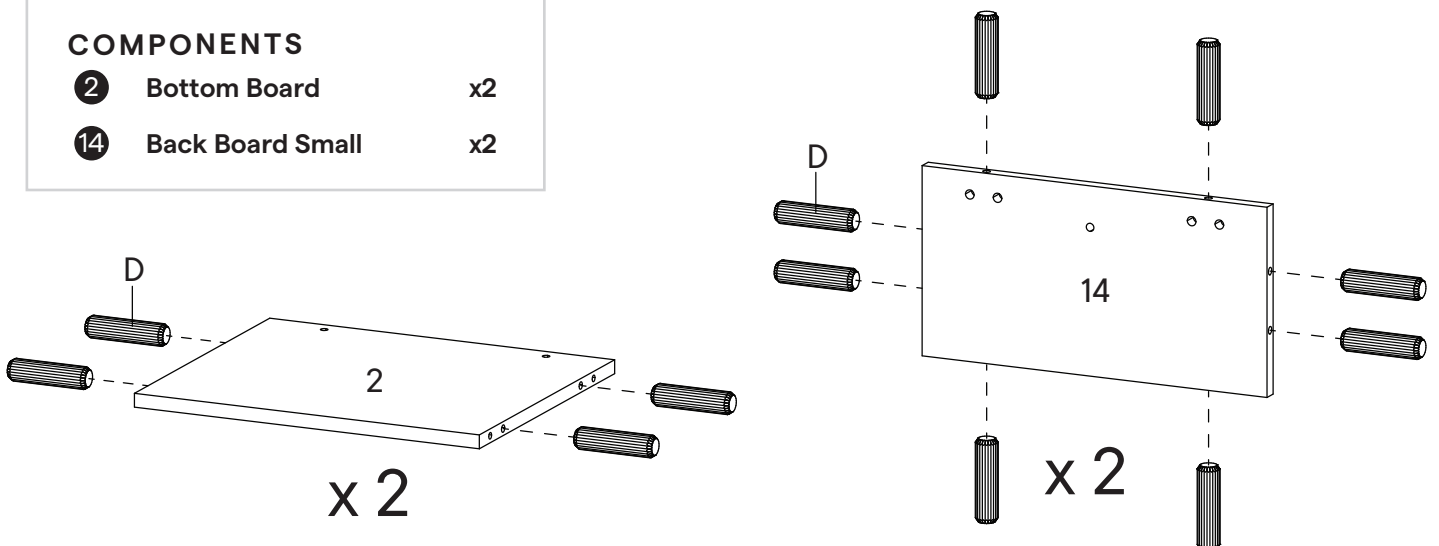
HARDWARE

- D** Wood Dowel Ø8 x 30 mm x24

COMPONENTS

- 2** Bottom Board x2
- 14** Back Board Small x2

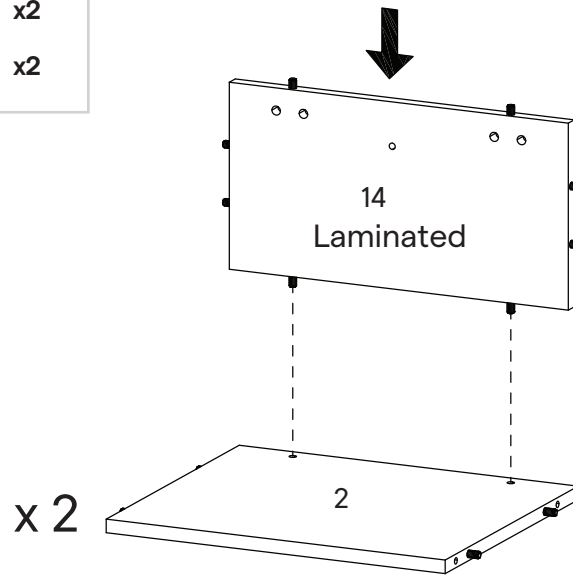
8.1 Insert Wood Dowel Ø8 x 30 mm (D) into Bottom Board (2) and Back Board Small (14). Position as shown in the figure.



COMPONENTS

- ② Bottom Board x2
- ⑭ Back Board Small x2

9.1 Combine Back Board Small (14) into Bottom Board (2). Position as shown in the figure.



STEP 10

HARDWARE

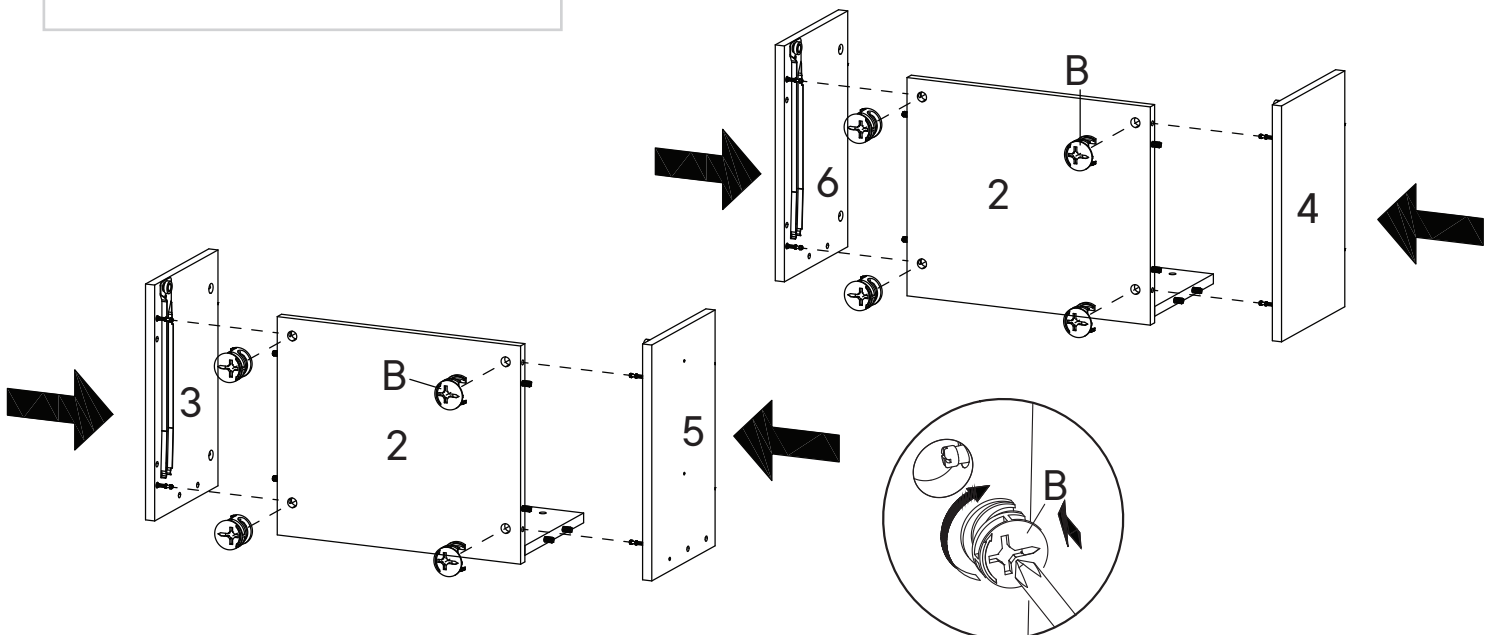
- Ⓑ Cam Lock Ø15 mm x8

COMPONENTS

- ③ Side Board Left x1
- ④ Side Board Right x1
- ⑤ Center Board Left x1
- ⑥ Center Board Right x1

10.1 Attach Side Board Left (3) and Center Board Left (5) to Assembly Bottom Board and Back Board Small, secure with Cam Lock Ø15 mm (B), then tighten using screwdriver. Position as shown in the figure.

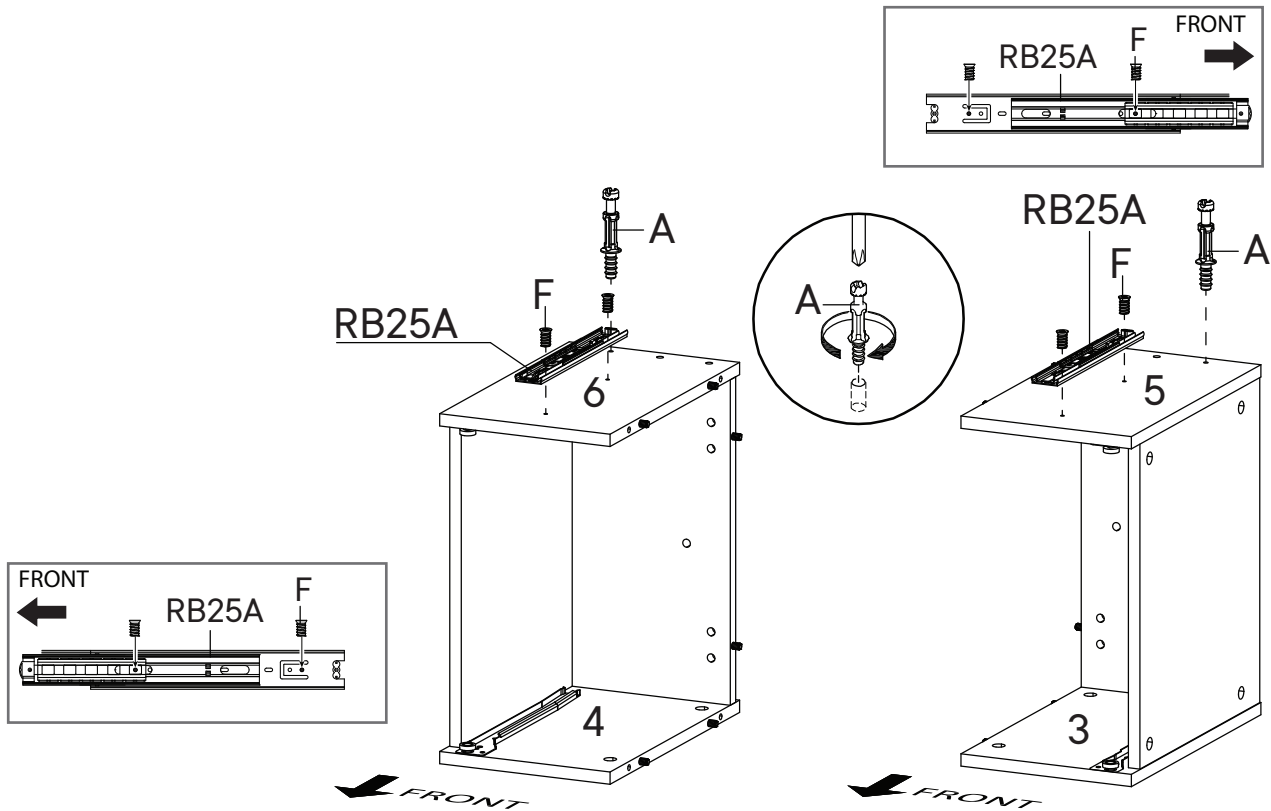
10.1 Attach Side Board Right (4) and Center Board Right (6) to Assembly Bottom Board and Back Board Small, secure with Cam Lock Ø15 mm (B), then tighten using screwdriver. Position as shown in the figure.



HARDWARE

- A** Cam Bolt $\varnothing 6 \times 35$ mm x2
- F** Screw M 6 x 10.5 mm x4
- RB25A** Keyboard Drawer Runner x1

11.1 Install Part of Keyboard Drawer Runner (RB25A) slide by aligning it with the front edge of the cabinet (as shown by the arrow) to Center Board Left (5) and Center Board Right (6) then secure with Screw M 6 x 10.5 mm (F). Then insert Cam Bolt $\varnothing 6 \times 35$ mm (A) tighten using screwdriver. Position as shown in the figure.



STEP 12

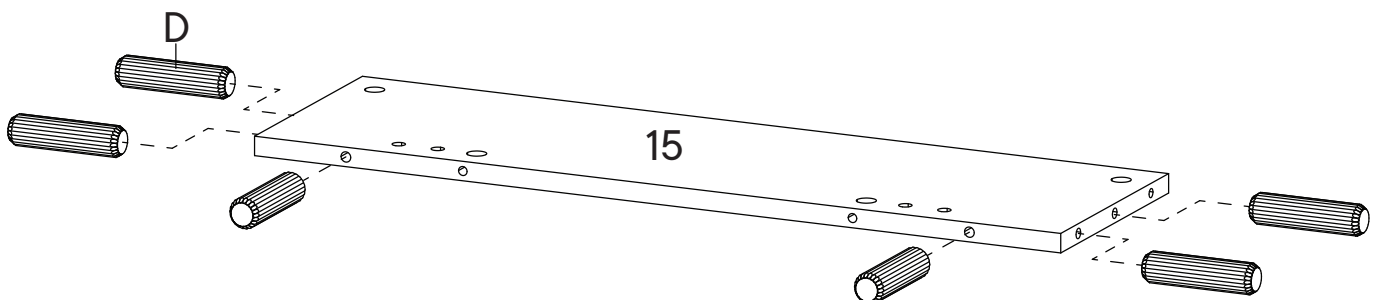
HARDWARE

- D** Wood Dowel $\varnothing 8 \times 30$ mm x6

COMPONENTS

- 15** Back Board Big x1

12.1 Insert Wood Dowel $\varnothing 8 \times 30$ mm (D) into Back Board Big (15). Position as shown in the figure.



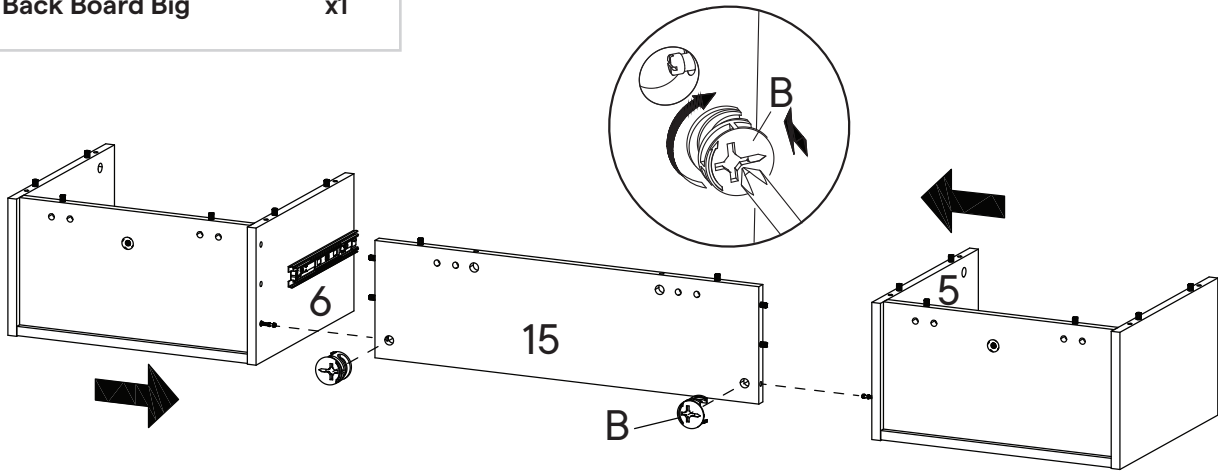
HARDWARE

B Cam Lock Ø15 mm x2

COMPONENTS

15 Back Board Big x1

13.1 Combine Back Board Big (15) and pre-assembly item from previous step secure with Cam Lock Ø15 mm (B), then tighten using screwdriver. Position as shown in the figure.



STEP 14

HARDWARE

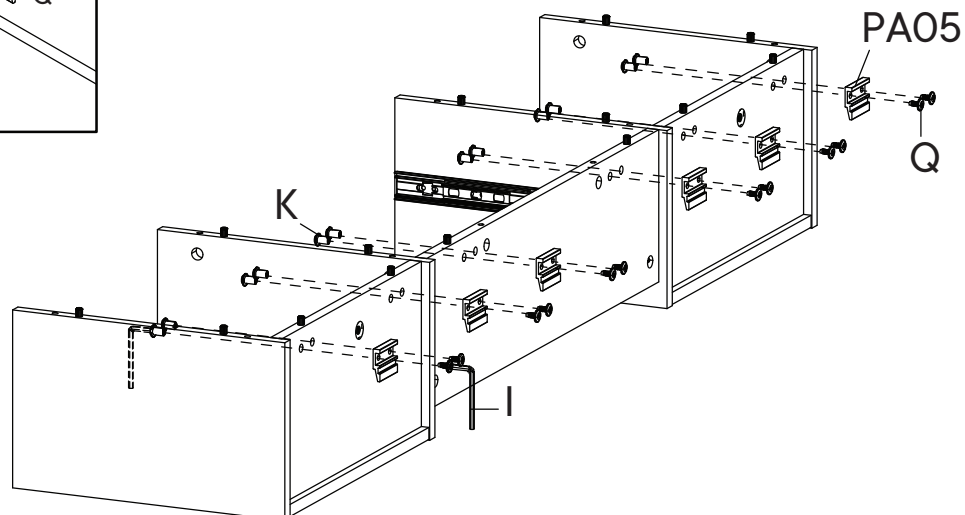
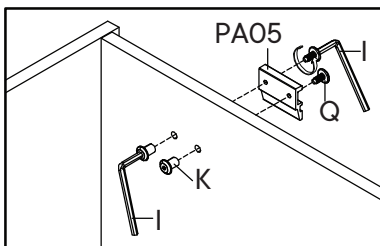
I Allen Key x2

K JCN Nut x12

Q Screw M 6 x 15 mm x12

PA05 Short Bracket x6

14.1 Make sure that the Short Bracket (PA05) is facing the correct direction. Tighten the Short Bracket (PA05) with Screw M 6 x 15 mm (Q) and JCN Nut (K) using Allen Key (I). Position as shown in figure.



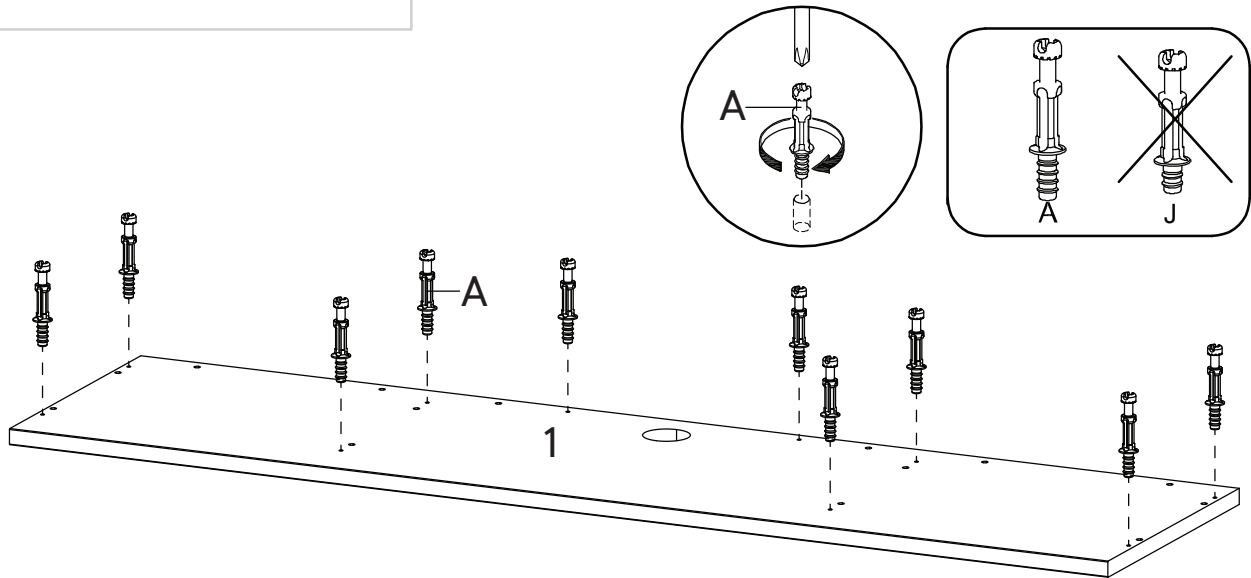
HARDWARE

A Cam Bolt Ø6 x 35 mm x10

COMPONENTS

1 Top Board x1

15.1 Insert Cam Bolt Ø6 x 35 mm (A) into the Top Board (1), then tighten using screwdriver.



STEP 16

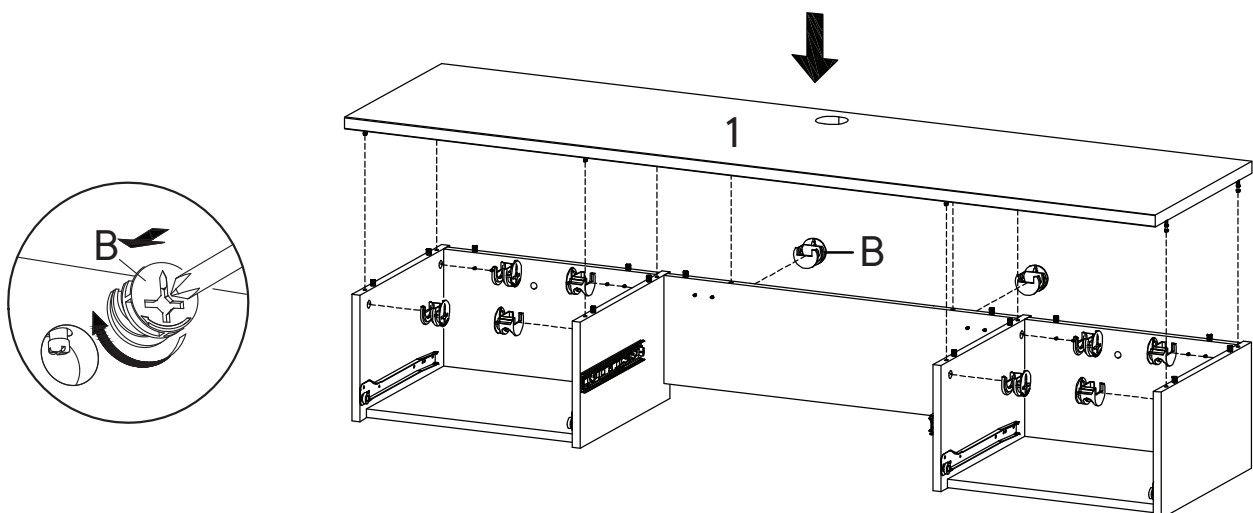
HARDWARE

B Cam Lock Ø15 mm x10

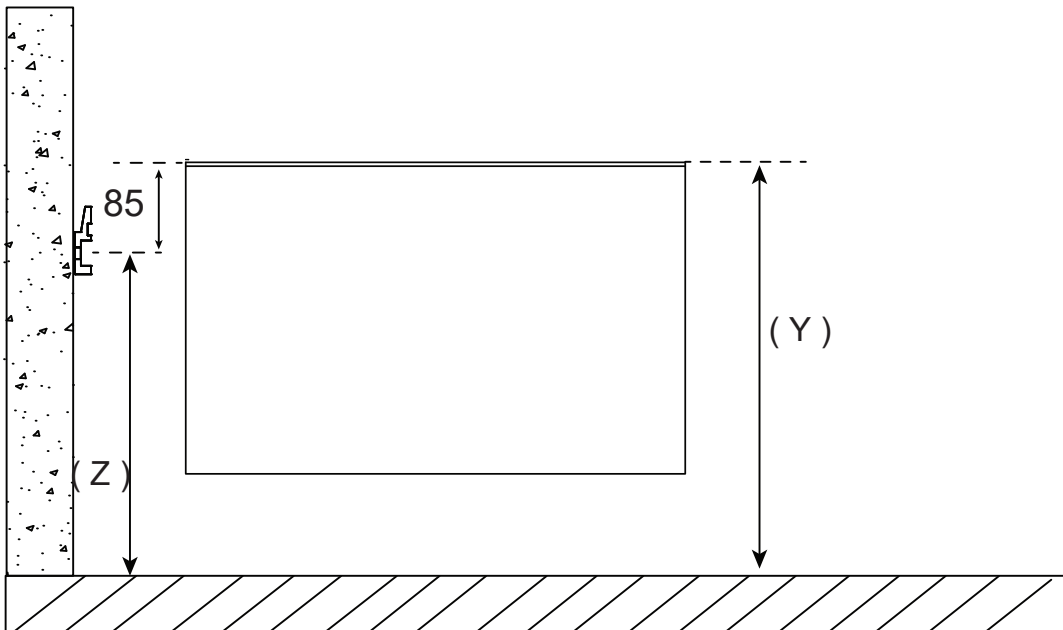
COMPONENTS

1 Top Board x1

16.1 Attach Top Board (1) to pre-assembly item from previous step secure with Cam Lock Ø15 mm (B), then tighten using screwdriver. Position as shown in the figure.



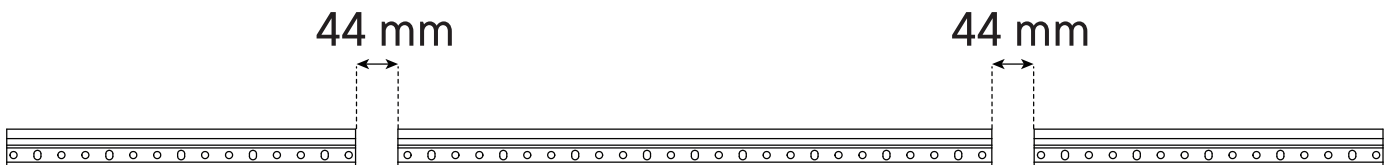
17.1 Determine your desired height (Y), recommended at 760 mm, then subtract by 85 mm. This is the drill holes height from the floor (Z).







STEP 18

Please use minimum 2 holes on each group of the Medium Bracket and Long Bracket, and minimum 1 hole, to apply the wall plug and screw. Use additional holes when necessary.

* Long Bracket and Medium Bracket

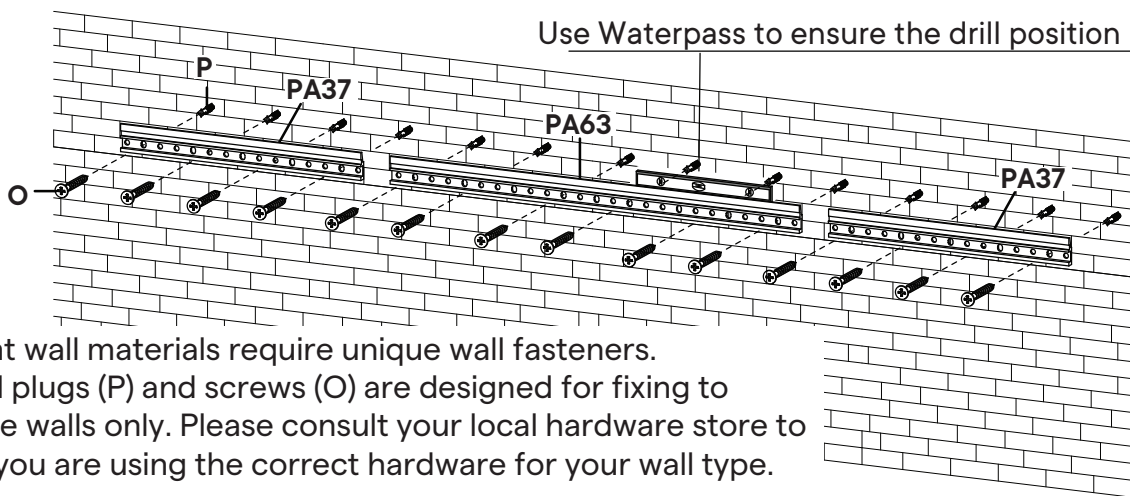
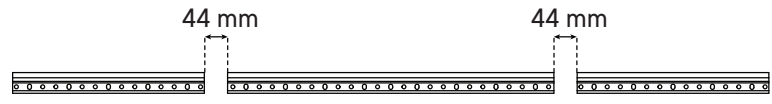


HARDWARE

	Screw 5.5 x 45 mm	x14
	Wall Plug	x14
	Medium Bracket	x2
	Long Bracket	x1

19.1 Install Medium Bracket (PA37) and Long Bracket (PA63), ensure position of long bracket correct below detail. First Drill holes in the wall to install Wall Plug (P), Ensure that the distance between the holes matches the measurements shown in the images below detail. Then attach Medium Bracket (PA37) and Long Bracket (PA63), secure with Screw 5.5 x 45 mm (L). Position as shown in the picture.

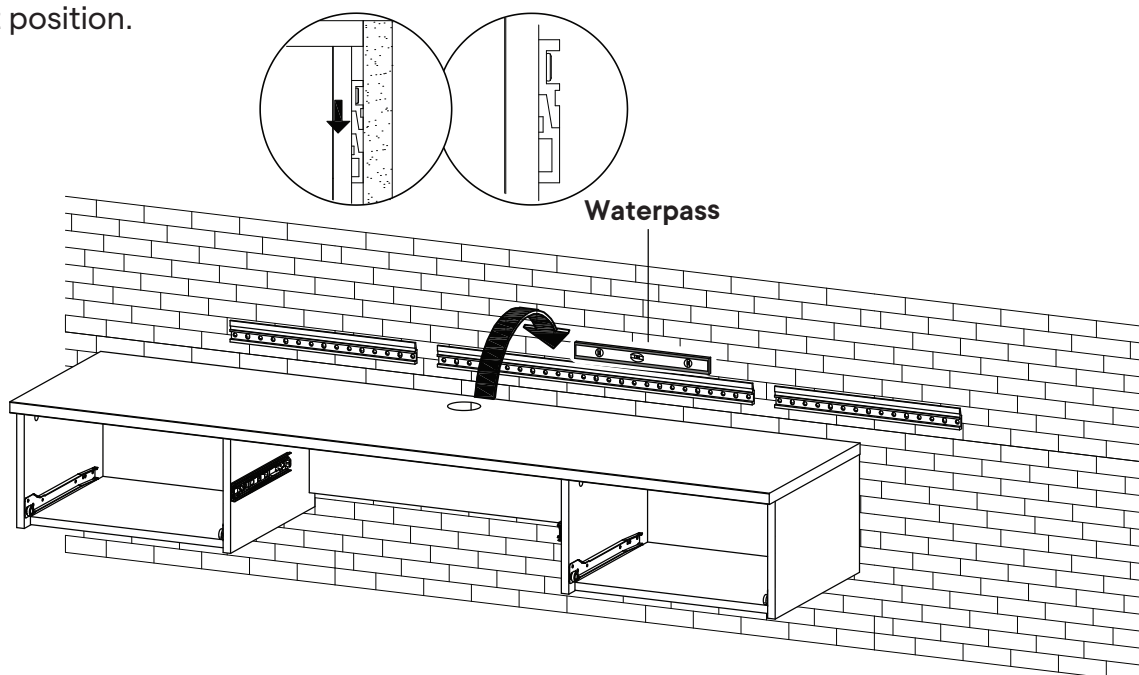
Attention to the distance to attach the long bracket to the wall



Different wall materials require unique wall fasteners. The wall plugs (P) and screws (O) are designed for fixing to concrete walls only. Please consult your local hardware store to ensure you are using the correct hardware for your wall type.

STEP 20

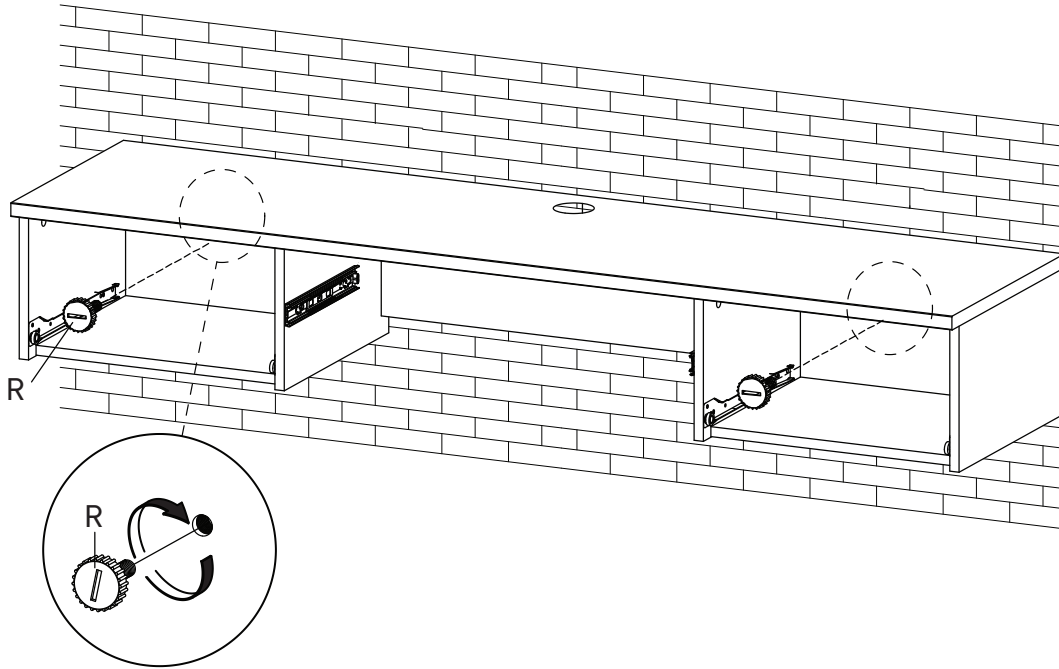
20.1 Attach the product has been assembled to the wall and place it according to the Bracket position.



HARDWARE

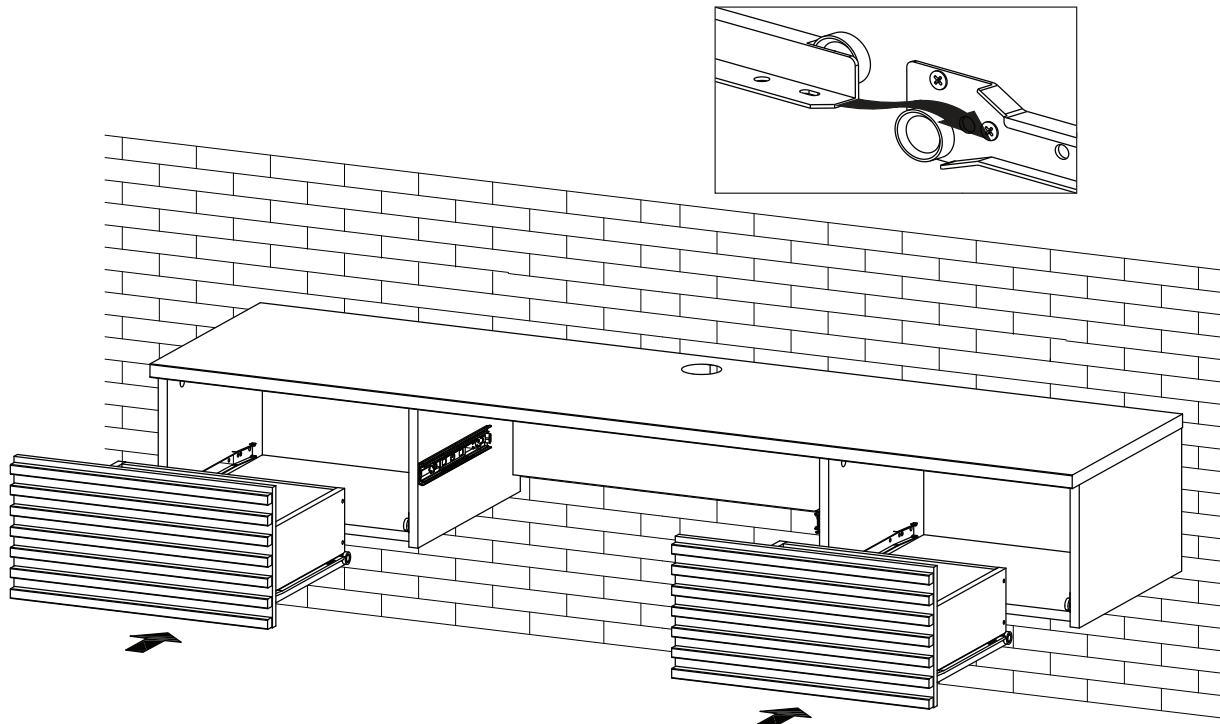
(R) Wall Mounted Bolt x2

21.1 Insert Wall Mounted Bolt (R) into hole, And turn clockwise to lock bracket with the item.



STEP 22

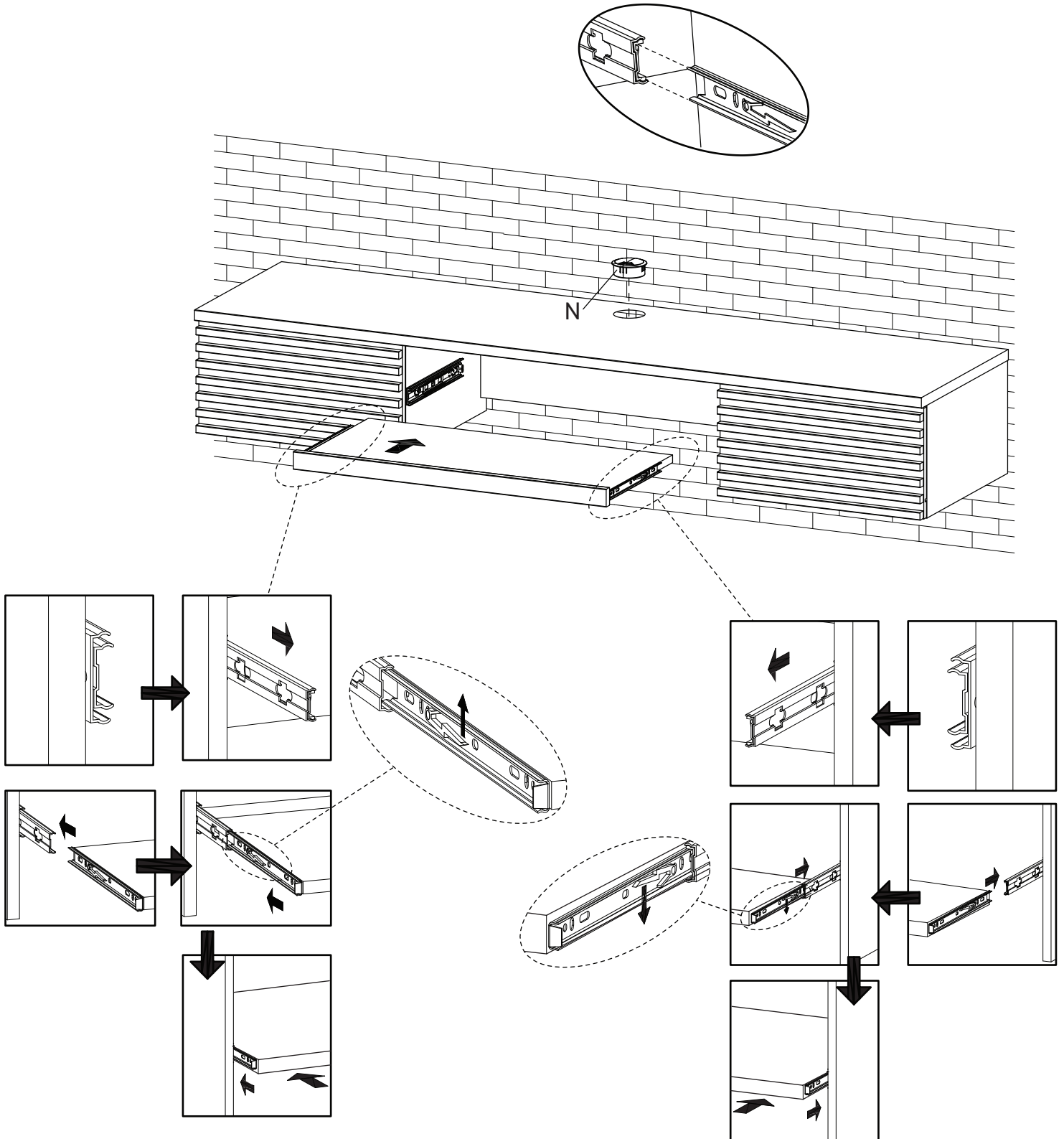
22.1 Hold the sides of drawer, position the wheel of rail at drawer back and the wheel of rail at side boards and center boards, according to the image. Slide in the drawers one by one into the desk.



HARDWARE

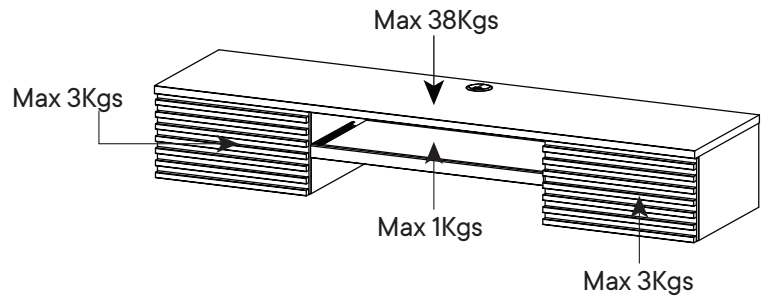
(N) Grommet Cover x1

23.1 Insert Grommet Cover (N) into Top Board.
Align Keyboard Drawer with the slides and carefully insert it by pushing it straight in. Make sure both sides are properly engaged. Push until you hear a click, indicating that the drawer is securely connected. Test the movement by sliding the drawer in and out to ensure smooth operation.



Great job!

Desk assembly is complete



CARING FOR YOUR ITEM

- Indoor use only.
- Not contract grade.
- Clean using a non-abrasive cloth and a mild cleaner.
- Never use harsh chemicals, as they could damage the finish or integrity of the item.



CONNECT WITH US!

Tag us [@modway_furniture](#) and [#modway](#) for a chance to be featured.

modway



Questions? Contact us!
609.256.9000
cs@modway.com