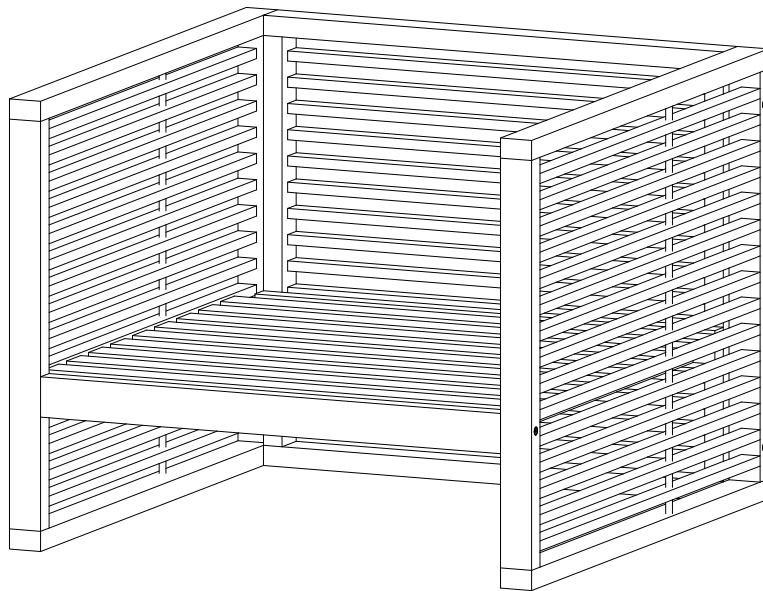


# ASSEMBLY INSTRUCTIONS

# EEI-5606

V1.04.22.21



**Questions? Contact us!**

609.256.9000 • [cs@modway.com](mailto:cs@modway.com)  
[www.modway.com](http://www.modway.com)

**\*modway**

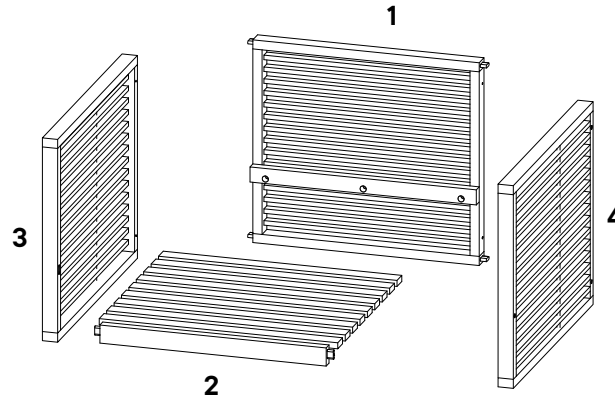
# Let's get started!

\*modway



## Furniture components included in the box:

All parts are numbered with a sticker according to this list.

1	Backrest	x1
2	Seat	x1
3	Left Arm	x1
4	Right Arm	x1



## Hardware included in the box:

A		JCBC Bolt M6 x 77mm	x6
B		Allen Key	x1



### Missing parts or hardware? Need assistance?

Contact us before returning your item.

We're here to help!

609.256.9000 • cs@modway.com

## Before you begin, here are some things to keep in mind:

**Read through all of the instructions before starting. Make sure you have all parts and components and the item is assembled before discarding any packing materials.**

Assembly will take most people about **30 minutes**. Consider having a friend help you!

**Only use hand tools to assemble this item.**

Do not use power tools. Do not tighten bolts or screws completely until all hardware is lined up and inserted into the holes.

Do not over-tighten screws and bolts to avoid stripping the hardware or cracking the item.

Assemble your item on a flat, padded area, with plenty of space to work. This will prevent damage and scratches to your floors or the item while you're assembling the product.

Keep all components and packaging out of reach of children or animals to avoid risk of choking or suffocation.

Please ensure that the packaging is disposed of in a safe and environmentally friendly way.

**Care instructions are listed on the last step of this manual.**

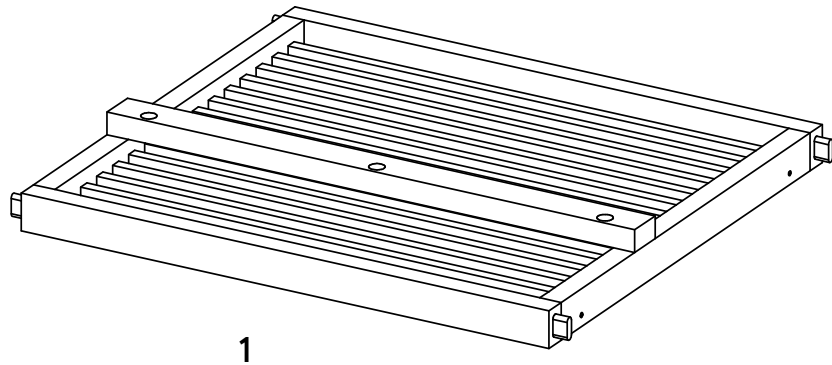
# Step 1

\*modway

## COMPONENTS

1 Backrest x1

1.1 Place the **Backrest (1)** on a carpeted or padded surface in the position as shown.

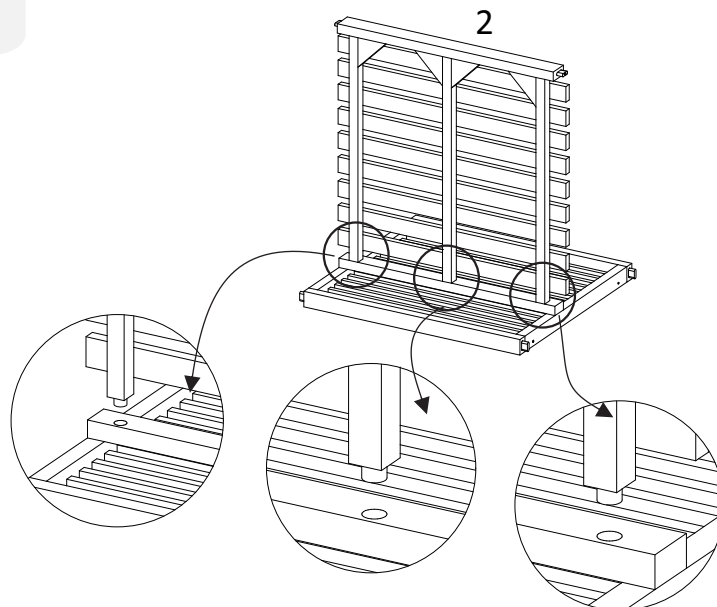


# Step 2

## COMPONENTS

2 Seat x1

2.1 Position the **Seat (2)** on the **Backrest (1)** to align the tenons into the tenon holes.



# Step 3

\*modway

## COMPONENTS

**3** Left Arm x1

## HARDWARE

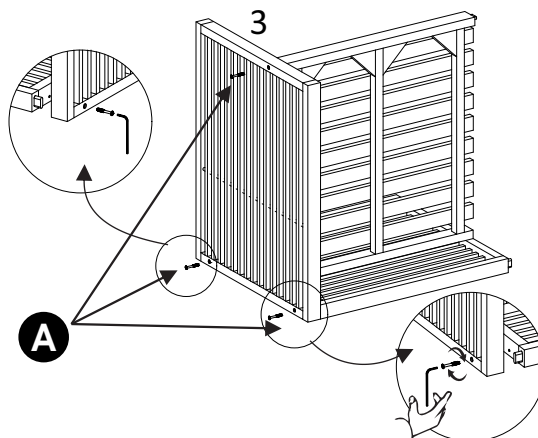
**A** JCBC Bolt M6 x 77mm x4

## TOOLS

**B** Allen Key x1

**3.1** Insert the **Left Arm (3)** tenons into the tenon holes to position it as shown.

**3.2** Secure the **Left Arm (3)** with the **JCBC Bolts (A)** into each of the holes with the **Allen Key (B)**.



# Step 4

## COMPONENTS

**4** Right Arm x1

## HARDWARE

**A** JCBC Bolt M6 x 77mm x3

## TOOLS

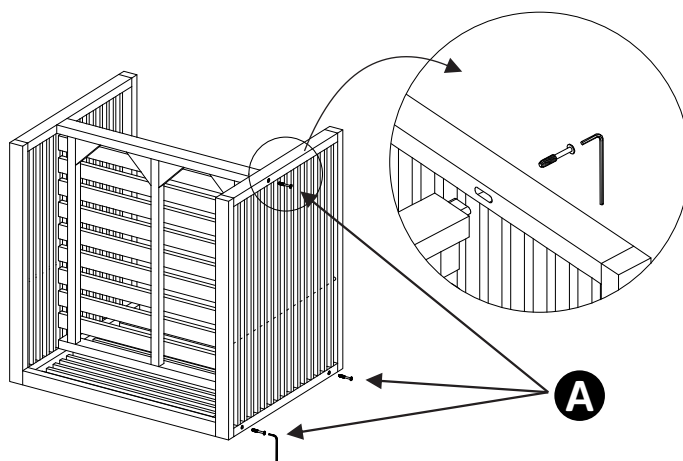
**B** Allen Key M6 x1

**4.1** Next, insert the **Right Arm (4)**

tenons into the tenon holes to position it as shown.

**4.2** Secure the **Right Arm (4)** with the **JCBC Bolts (A)** into each of the holes with the **Allen Key (B)**.

**4.3** Flip the assembled chair upright and place the cushion on the seat rest. (Cushions are sold separately.)



# Great job!

\*modway

Your new lounge chair is complete.

## CARING FOR YOUR ITEM

Depending on use, it may be necessary to tighten the hardware from time to time, so please save the tools that have been provided.

Not contract grade.

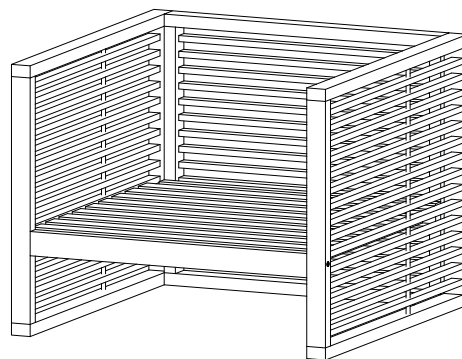
Clean using a non-abrasive cloth and a mild cleaner.

Retain the rich wood color by occasionally sanding lightly and applying a teak cleaner and protectant. The oils nourish and help restore the original look.

## CONNECT WITH US!



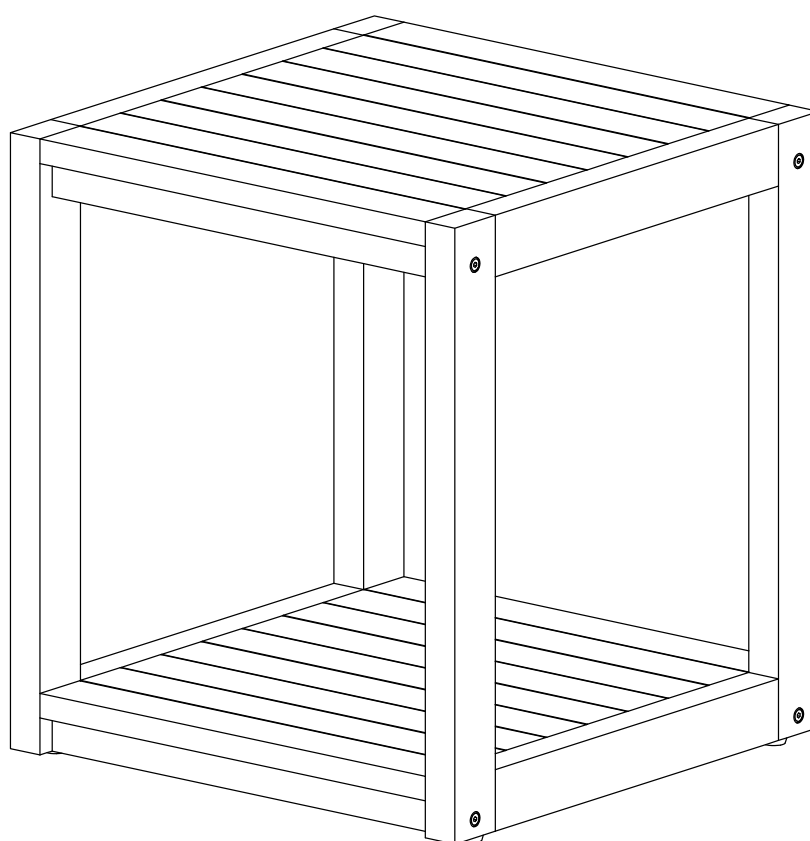
Tag us [@modway\\_furniture](#) and [#modway](#) for a chance to be featured.



# ASSEMBLY INSTRUCTIONS

# EEI-5607

V1.03.25.21



**Questions? Contact us!**

609.256.9000 • [cs@modway.com](mailto:cs@modway.com)  
[www.modway.com](http://www.modway.com)

**\*modway**

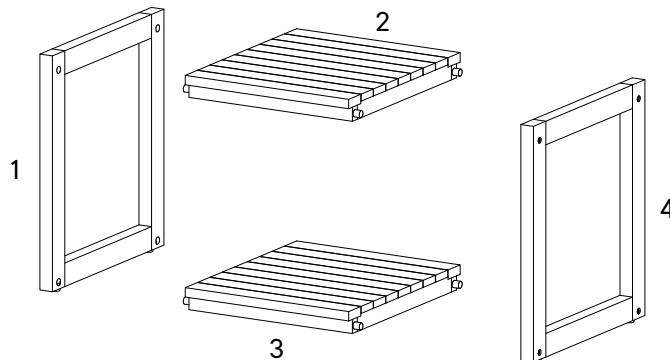
# Let's get started!

\*modway



## Furniture components included in the box:

All parts are numbered with a sticker according to this list.

1	Left Side Frame	x1
2	Top Panel	x1
3	Bottom Panel	x1
4	Right Side Frame	x1



## Hardware included in the box:

A		JCBC Bolt M6 x 50mm	x8
B		Allen Key	x1

**Wait!** **Missing parts or hardware? Need assistance?**  
Contact us before returning your item.  
We're here to help!  
**609.256.9000 • cs@modway.com**

## Before you begin, here are some things to keep in mind:

**Read through all of the instructions before starting. Make sure you have all parts and components and the item is assembled before discarding any packing materials.**

Assembly will take most people about **30 minutes**. Consider having a friend help you!

**Only use hand tools to assemble this item.**

Do not use power tools. Do not tighten bolts or screws completely until all hardware is lined up and inserted into the holes.

Do not over-tighten screws and bolts to avoid stripping the hardware or cracking the item.

Assemble your item on a flat, padded area, with plenty of space to work. This will prevent damage and scratches to your floors or the item while you're assembling the product.

Keep all components and packaging out of reach of children or animals to avoid risk of choking or suffocation.

Please ensure that the packaging is disposed of in a safe and environmentally friendly way.

**Care instructions are listed on the last step of this manual.**

# Step 1

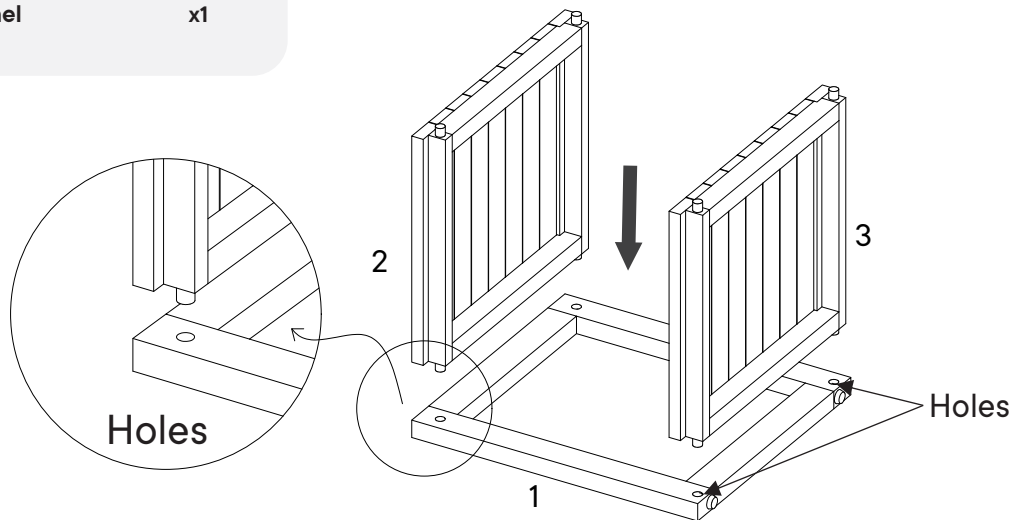
\*modway

## COMPONENTS

❶	Left Side Frame	x1
❷	Top Panel	x1
❸	Bottom Panel	x1

1.1 Place the **Left Side Frame (1)** on a carpeted or padded surface.

1.2 Next, place the **Top Panel (2)** and **Bottom Panel (3)**, making sure that each tenon is inserted into the aligned tenon hole as shown in the illustration.



# Step 2

## COMPONENTS

❷	Right Side Frame	x1
---	------------------	----

## HARDWARE

❶	JCBC Bolt M6 x 50mm	x4
---	---------------------	----

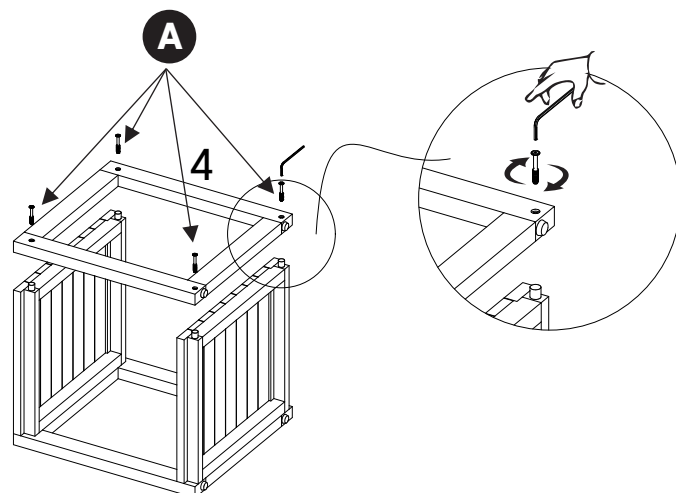
## TOOLS

❶	Allen Key	x1
---	-----------	----

2.1 Place the **Right Side Frame (4)** to the top and bottom panels, ensuring the tenons are inserted into the aligned holes as shown.

2.2 Insert a **JCBC Bolt (A)** into each hole and secure it using the **Allen Key (B)**.

2.3 Repeat and ensure all four JCBC Bolts are secured and tightened.



# Step 3

\*modway

## HARDWARE

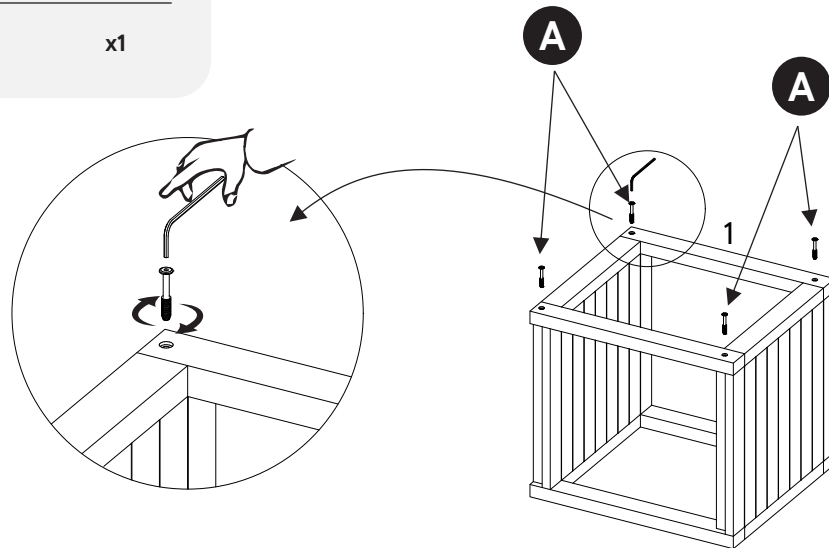
**A** JCBC Bolt M6 x 50mm x4

## TOOLS

**B** Allen Key x1

**3.1** Flip the item over and insert the remaining JCBC Bolts (A) into the **Left Side Frame (1)** holes.

**3.2** Tighten using **Allen Key (B)** to secure.



# Great job!

Your new side table is complete.

## CARING FOR YOUR ITEM

Depending on use, it may be necessary to tighten the hardware from time to time, so please save the tools that have been provided.

Not contract grade.

Clean using a non-abrasive cloth and a mild cleaner.

Retain the rich wood color by occasionally sanding lightly and applying a teak cleaner and protectant. The oils nourish and help restore the original look.

## CONNECT WITH US!



Tag us @modway\_furniture and #modway for a chance to be featured.

