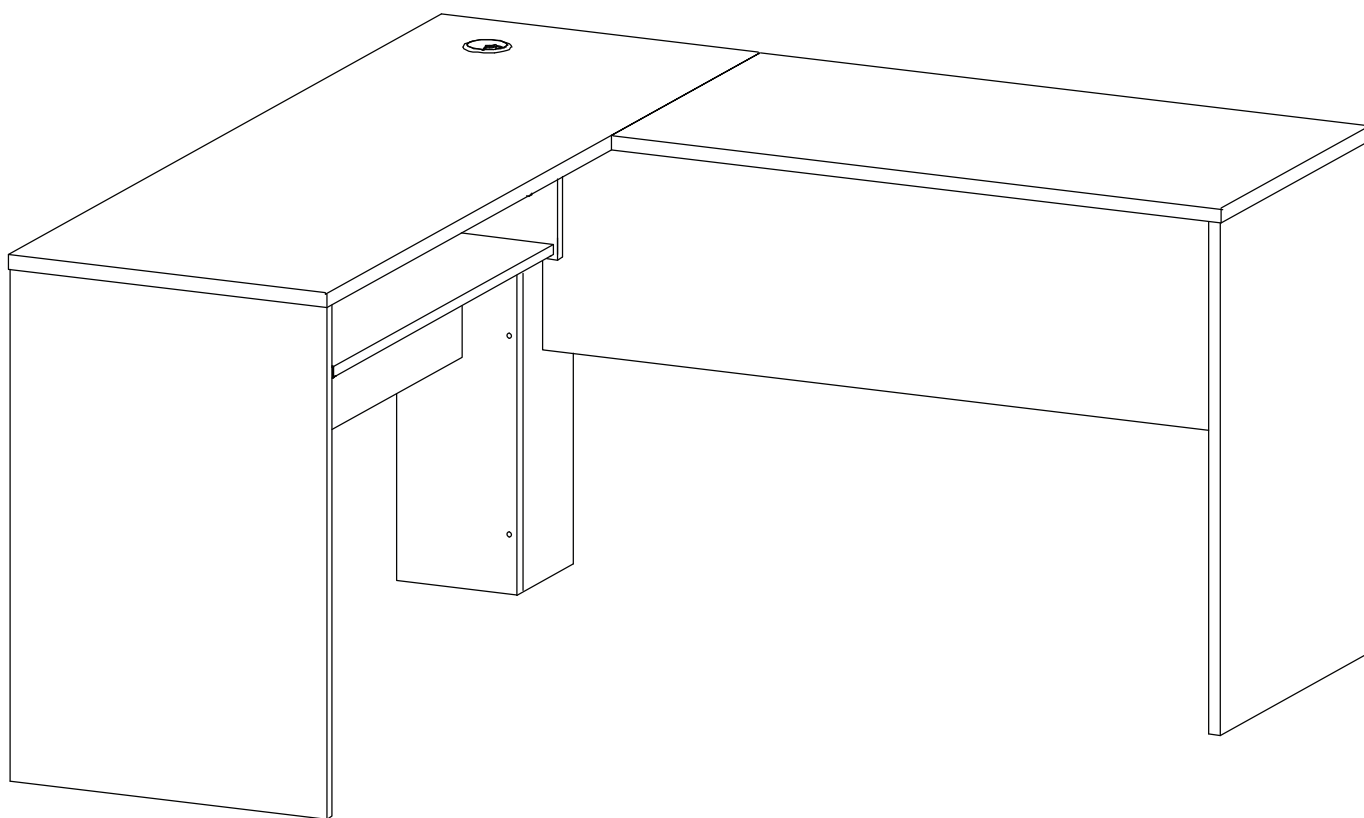


ASSEMBLY INSTRUCTIONS

EEI-5703

V0.08.04.21



Questions? Contact us!

609.256.9000 • cs@modway.com
www.modway.com

*modway



Read through all of the instructions before starting



Care instructions are listed in the last step of this manual

Only use hand tools to assemble this item. Do not use power tools. Do not tighten bolts or screws completely until all hardware is lined up and inserted into the holes.



Approx. 90 minutes assembly time



Make sure you have all parts and components before discarding any packing materials

Do not over-tighten screws and bolts to avoid stripping the hardware or cracking the item.

Assemble your item on a flat, carpeted area, with plenty of space to work. This will prevent damage and scratches to your floors or the item while you're assembling the product.

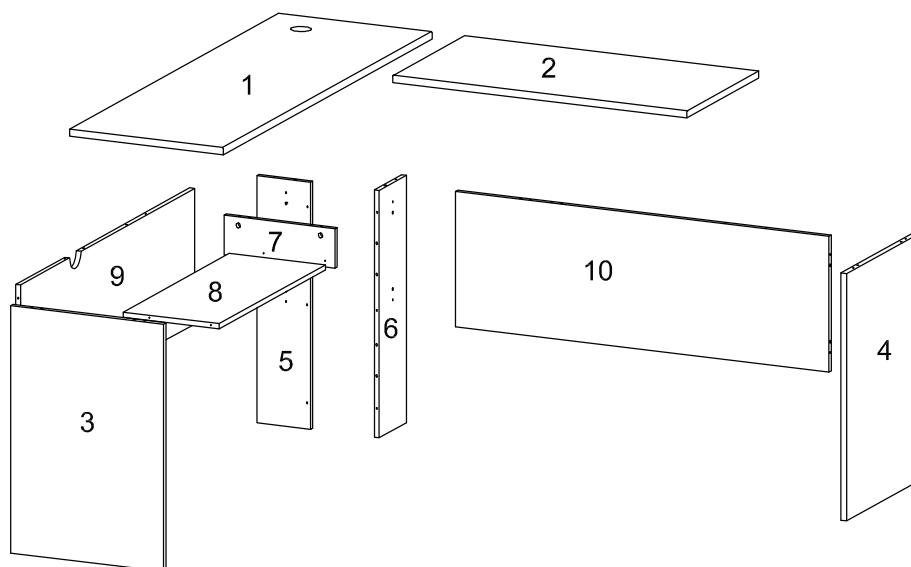


2 people recommended for assembly

Keep all components and packaging out of reach of children or animals to avoid risk of choking or suffocation.

Furniture components:

| | | |
|----|----------------------|----|
| 1 | Top Board 1 | x1 |
| 2 | Top Board 2 | x1 |
| 3 | Side Board Left | x1 |
| 4 | Side Board Right | x1 |
| 5 | Center Board 1 | x1 |
| 6 | Center Board 2 | x1 |
| 7 | Center Board 3 | x1 |
| 8 | Keyboard Drawer Base | x1 |
| 9 | Back Board 1 | x1 |
| 10 | Back Board 2 | x1 |



Provided hardware:

| | | | |
|---|--|---|-----|
| A | | Cam Bolt $\varnothing 6 \times 35$ mm | x19 |
| B | | Cam Lock $\varnothing 15$ mm | x19 |
| C | | Wood Dowel $\varnothing 8 \times 30$ mm | x25 |
| D | | Screw M 6 x 10.5 mm | x8 |
| E | | Screw M 4.5 x 12.5 mm | x12 |
| F | | Grommet Cover | x1 |
| G | | Screw M 7 x 50 mm | x8 |
| H | | Allen Key | x1 |
| I | | Mending Plates | x2 |

What you need:

| | | | |
|-------|--|-------------------------------|-----|
| J | | Screw Cap $\varnothing 15$ mm | x15 |
| K | | Screw Cap $\varnothing 15$ mm | x4 |
| L | | Shoe Plate | x6 |
| RB25A | | Keyboard Drawer Runner | x1 |

Phillips Head Screwdriver

Wait!

Missing parts or hardware? Need assistance?
Contact us before returning your item. We're here to help!
609.256.9000 • cs@modway.com

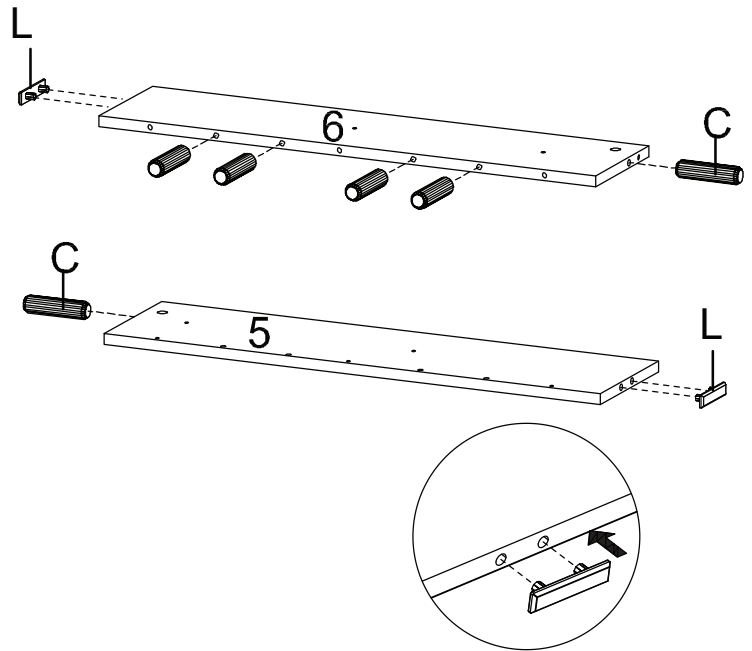
Step 1

HARDWARE

- C** Wood Dowel Ø8x30 mm x6
- L** Shoe Plate x2

COMPONENTS

- 5** Center Board 1 x1
- 6** Center Board 2 x1



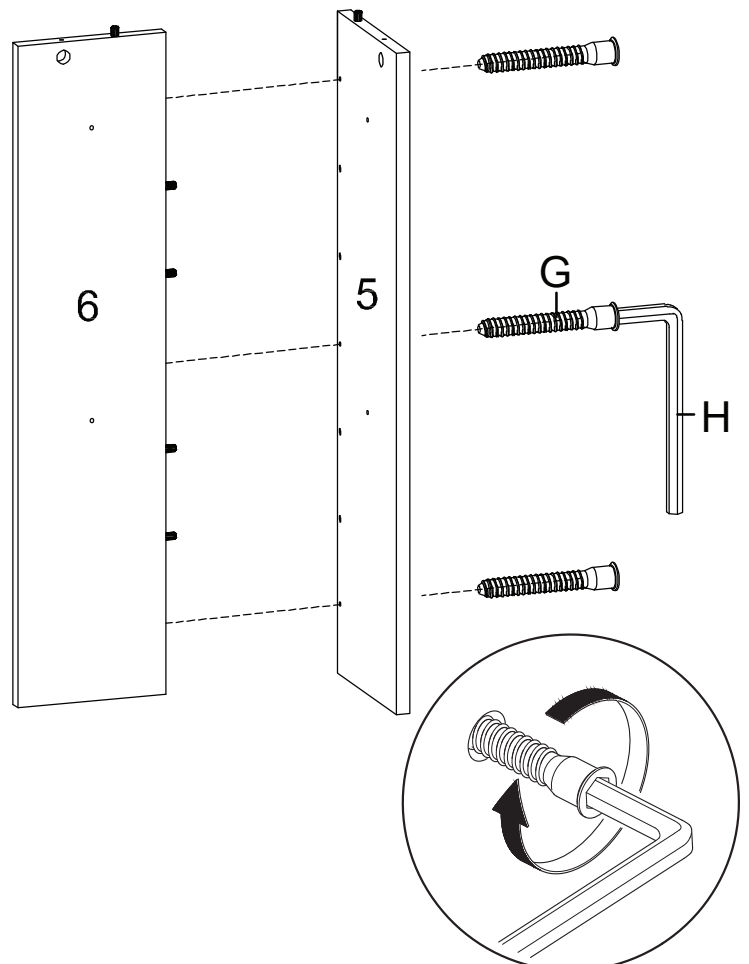
Step 2

HARDWARE

- G** Screw M 7 x 50 mm x3
- H** Allen Key x1

COMPONENTS

- 5** Center Board 1 x1
- 6** Center Board 2 x1



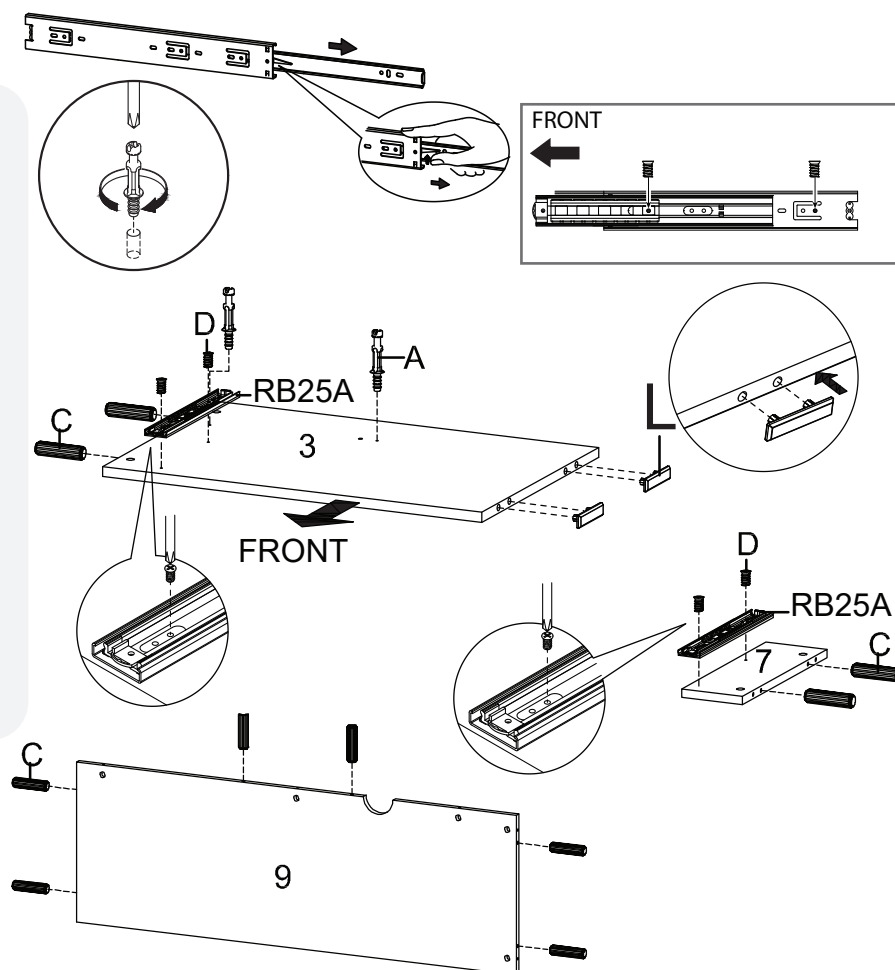
Step 3

HARDWARE

- A** Cam Bolt $\varnothing 6 \times 35$ mm x2
- C** Wood Dowel $\varnothing 8 \times 30$ mm x10
- D** Screw M 6 x 10.5 mm x4
- RB25A** Keyboard Drawer Runner x1
- L** Shoe Plate x2

COMPONENTS

- 3** Side Board Left x1
- 7** Center Board 3 x1
- 9** Back Board 1 x1



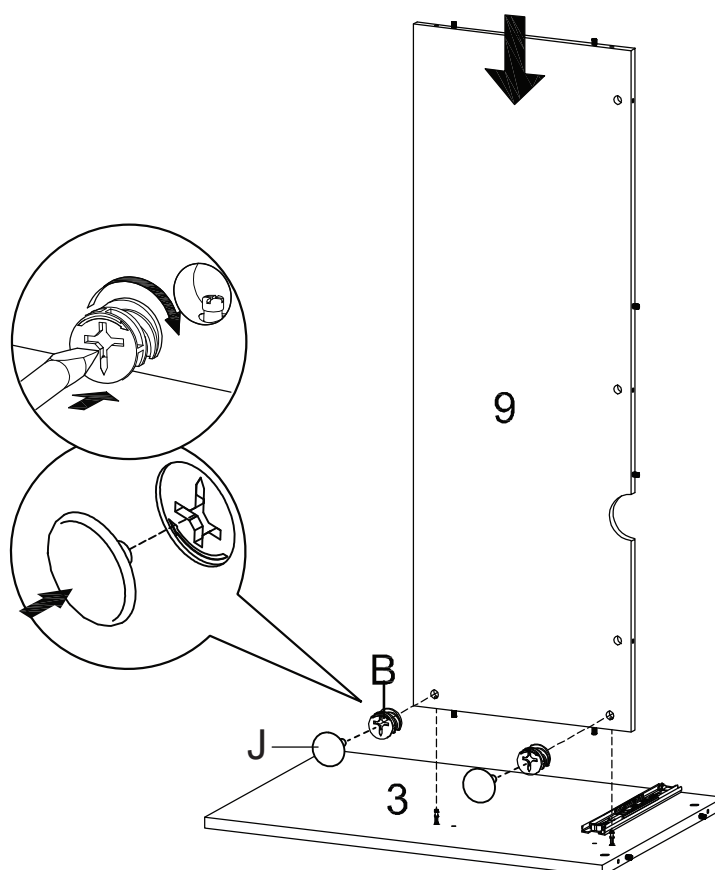
Step 4

HARDWARE

- B** Cam Lock $\varnothing 15$ mm x2
- J** Screw Cap $\varnothing 15$ mm x2

COMPONENTS

- 3** Side Board Left x1
- 9** Back Board 1 x1



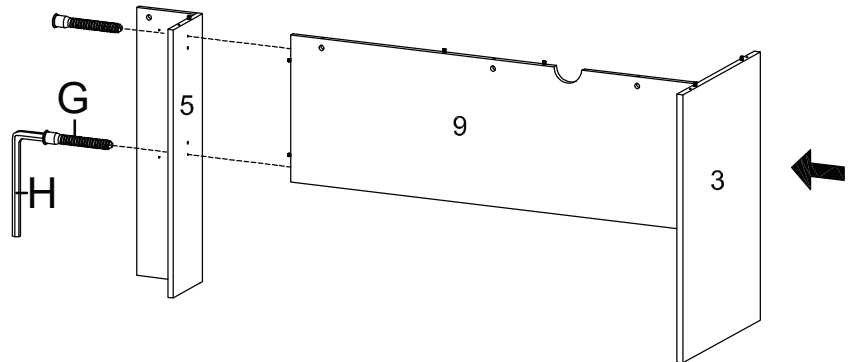
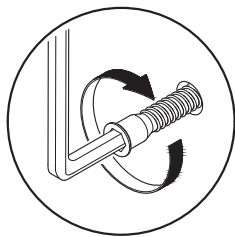
Step 5

HARDWARE

- G** Screw M 7 x 50 mm x2
- H** Allen Key x1

COMPONENTS

- 3** Side Board Left x1
- 9** Back Board 1 x1



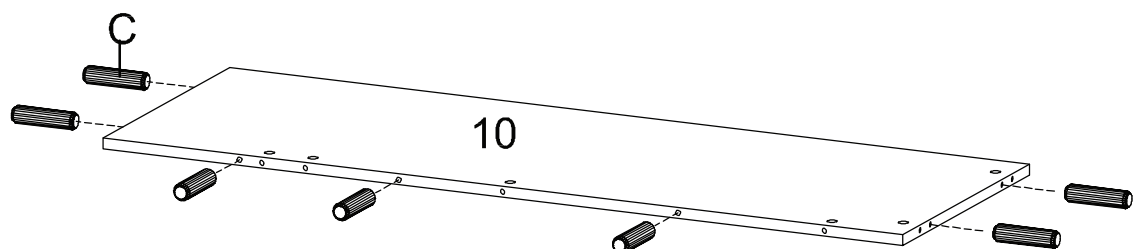
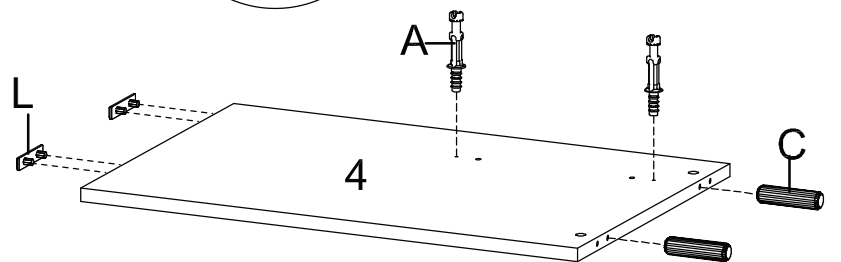
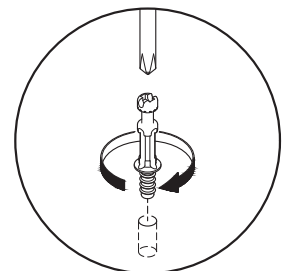
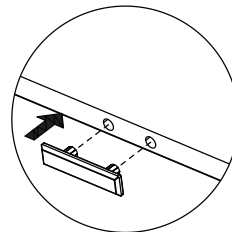
Step 6

HARDWARE

- A** Cam Bolt $\varnothing 6 \times 35$ mm x2
- C** Wood Dowel $\varnothing 8 \times 30$ mm x9
- L** Shoe Plate x2

COMPONENTS

- 4** Side Board Right x1
- 10** Back Board 2 x1



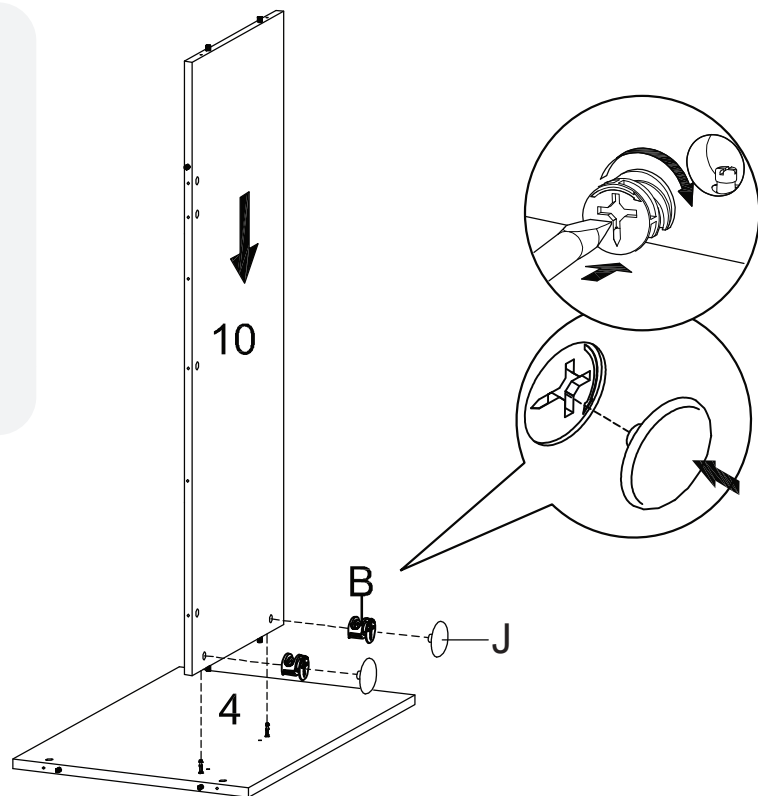
Step 7

HARDWARE

- B** Cam Lock Ø15 mm x2
- J** Screw Cap Ø15 mm x2

COMPONENTS

- 4** Side Board Right x1
- 10** Back Board 2 x1



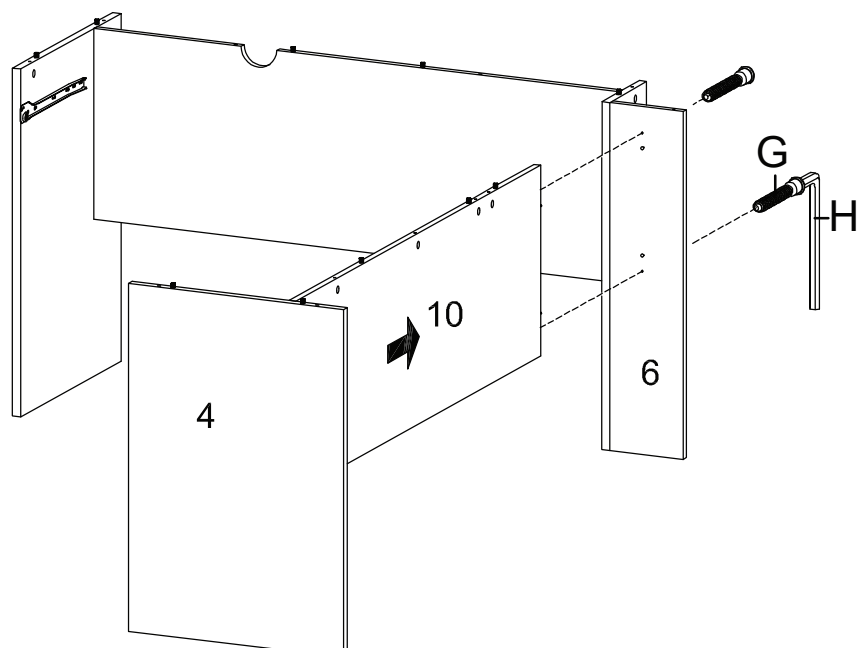
Step 8

HARDWARE

- G** Screw M 7 x 50 mm x2
- H** Allen Key x1

COMPONENTS

- 4** Side Board Right x1
- 10** Back Board 2 x1



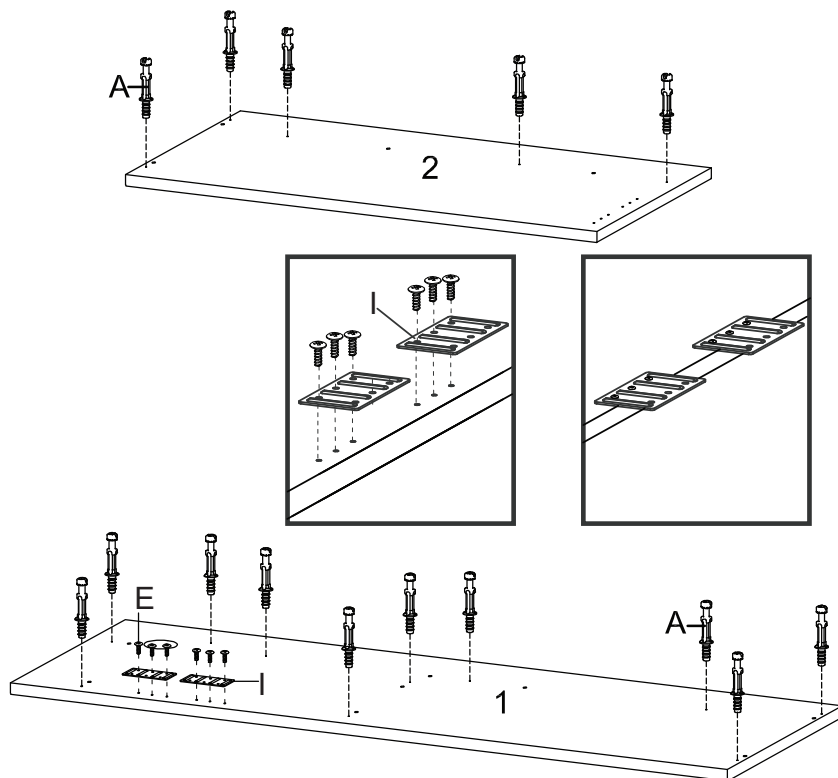
Step 9

HARDWARE

- A** Cam Bolt $\varnothing 6 \times 35$ mm x15
- I** Mending Plates x2
- E** Screw M 4.5 x 12.5 mm x6

COMPONENTS

- 1** Top Board 1 x1
- 2** Top Board 2 x1



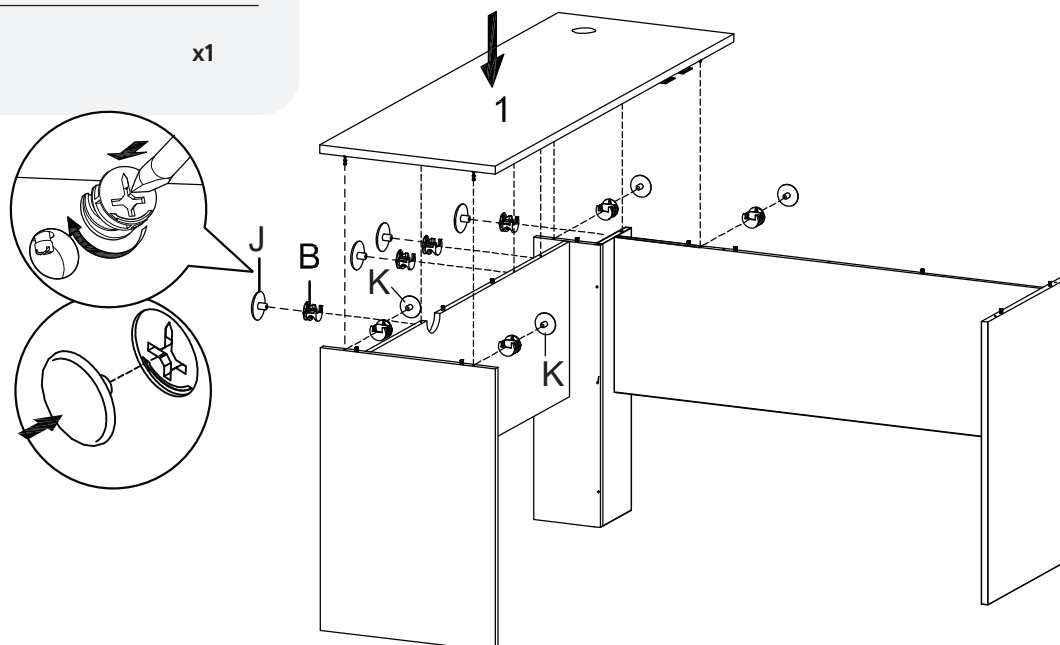
Step 10

HARDWARE

- B** Cam Lock $\varnothing 15$ mm x8
- J** Screw Cap $\varnothing 15$ mm x6
- K** Screw Cap $\varnothing 15$ mm x2

COMPONENTS

- 1** Top Board 1 x1



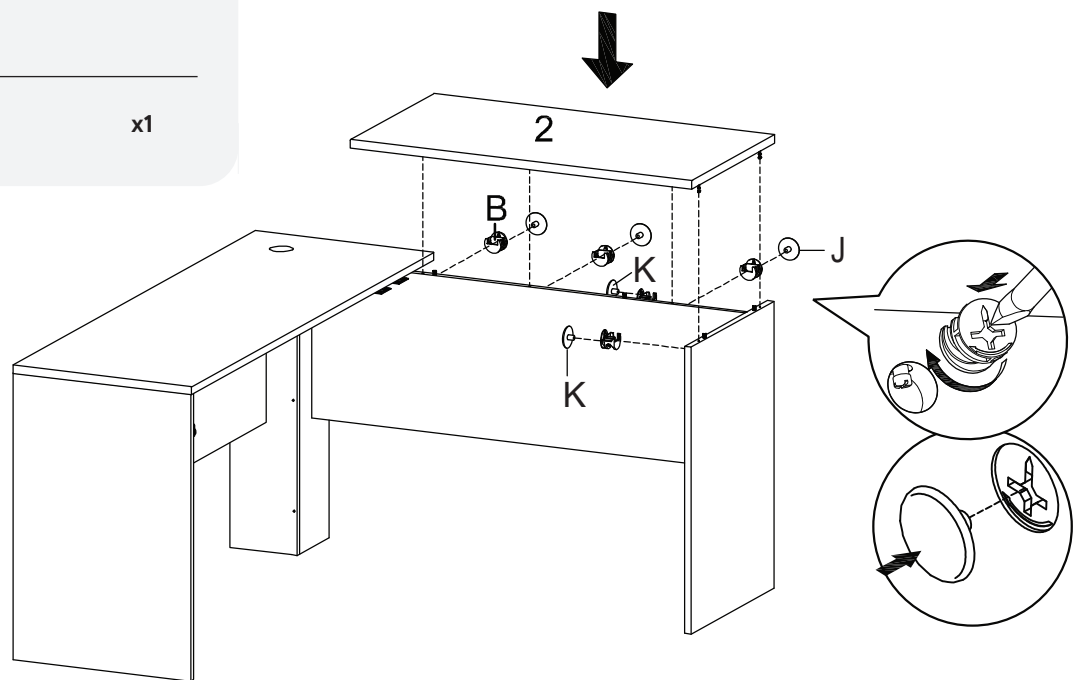
Step 11

HARDWARE

- B** Cam Lock Ø15 mm x5
- J** Screw Cap Ø15 mm x3
- K** Screw Cap Ø15 mm x2

COMPONENTS

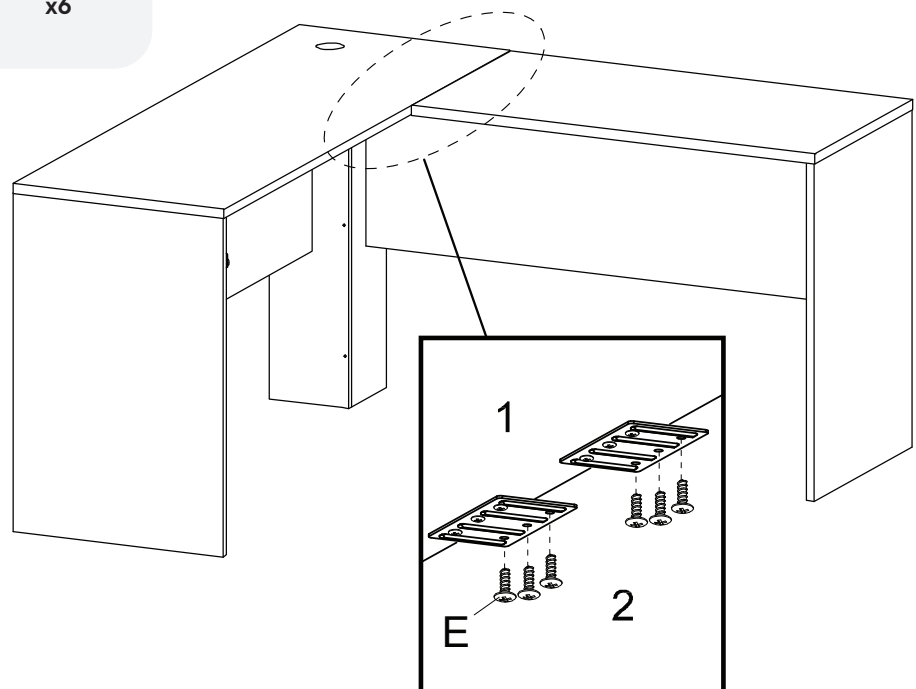
- 2** Top Board 2 x1



Step 12

HARDWARE

- E** Screw M 4.5 x 12.5 mm x6



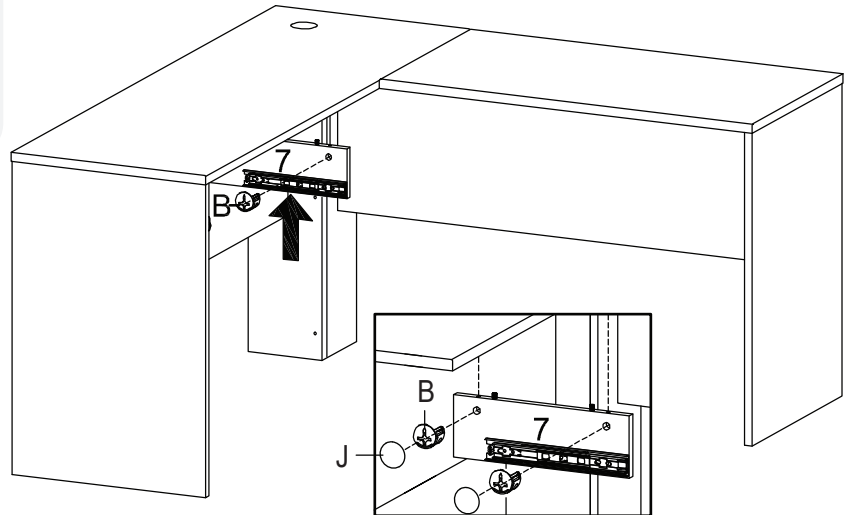
Step 13

HARDWARE

- B** Cam Lock Ø15 mm x2
- J** Screw Cap Ø15 mm x2

COMPONENTS

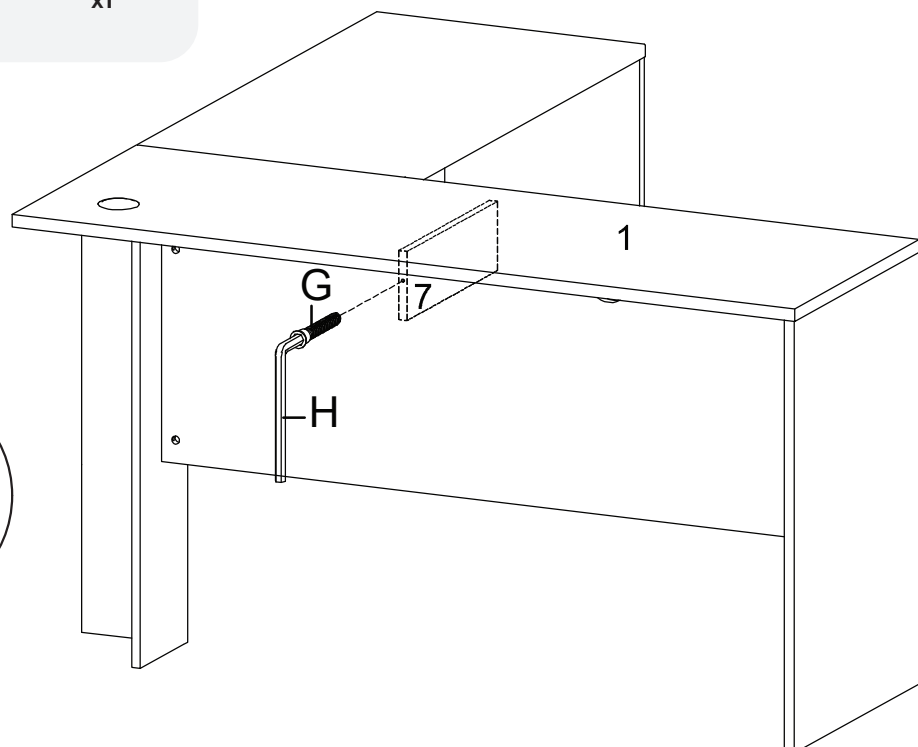
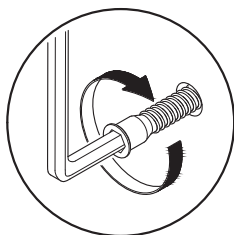
- 7** Center Board 3 x1



Step 14

HARDWARE

- G** Screw M 7 x 50 mm x1
- H** Allen Key x1



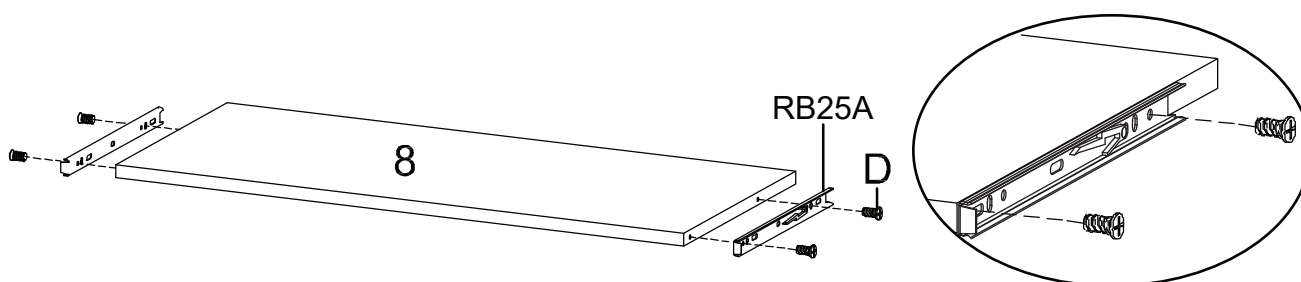
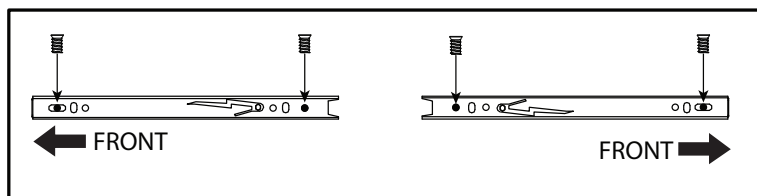
Step 15

HARDWARE

- D** Screw M 6 x 10.5 mm x4
- RB25A** Keyboard Drawer Runner x1

COMPONENTS

- 8** Keyboard Drawer Base x1



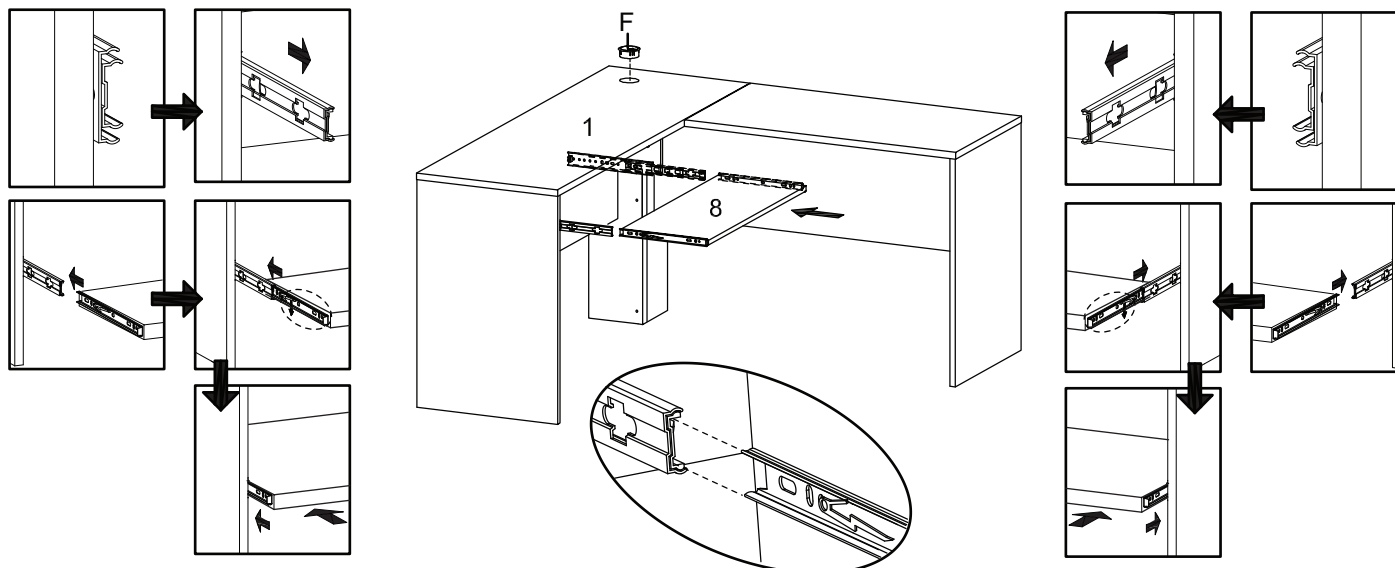
Step 16

HARDWARE

- F** Grommet Cover x1

COMPONENTS

- 8** Keyboard Drawer Base x1



Great job!

Desk assembly is complete

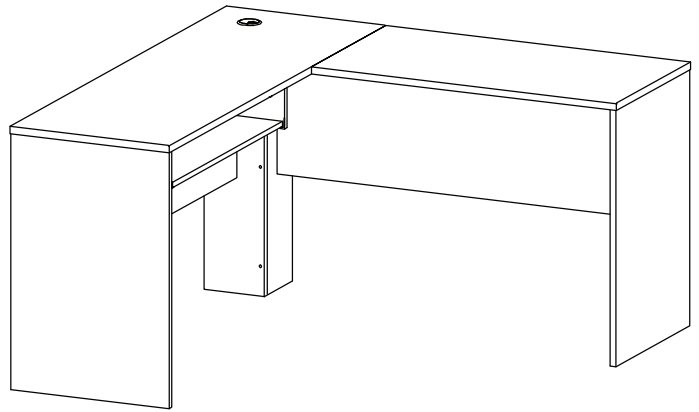
♥ CARING FOR YOUR ITEM

Indoor use only.

Not contract grade.

Clean using a non-abrasive cloth and a mild cleaner.

Never use harsh chemicals, as they could damage the finish or integrity of the item.



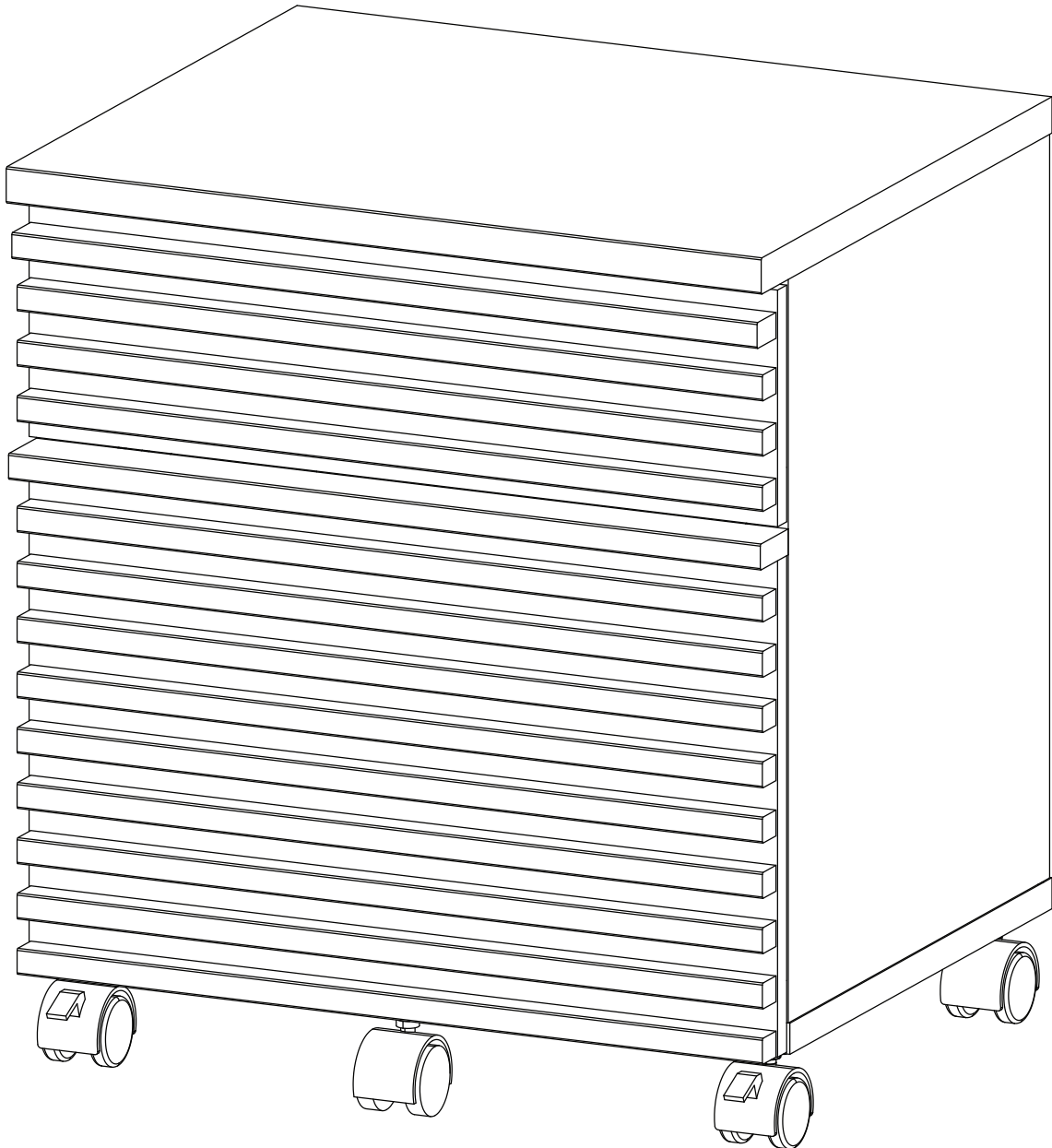
CONNECT WITH US!   

Tag us [@modway_furniture](#) and [#modway](#) for a chance to be featured.

ASSEMBLY INSTRUCTIONS

EEI-5704

V1.09.12.24



Questions? Contact us!

609.256.9000 • cs@modway.com
www.modway.com

*modway

Let's get started!

*modway



Read through all of the instructions before starting



Care instructions are listed in the last step of this manual



Approx. 90 minutes assembly time



Make sure you have all parts and components before discarding any packing materials



2 people recommended for assembly

Only use hand tools to assemble this item. Do not use power tools. Do not tighten bolts or screws completely until all hardware is lined up and inserted into the holes.

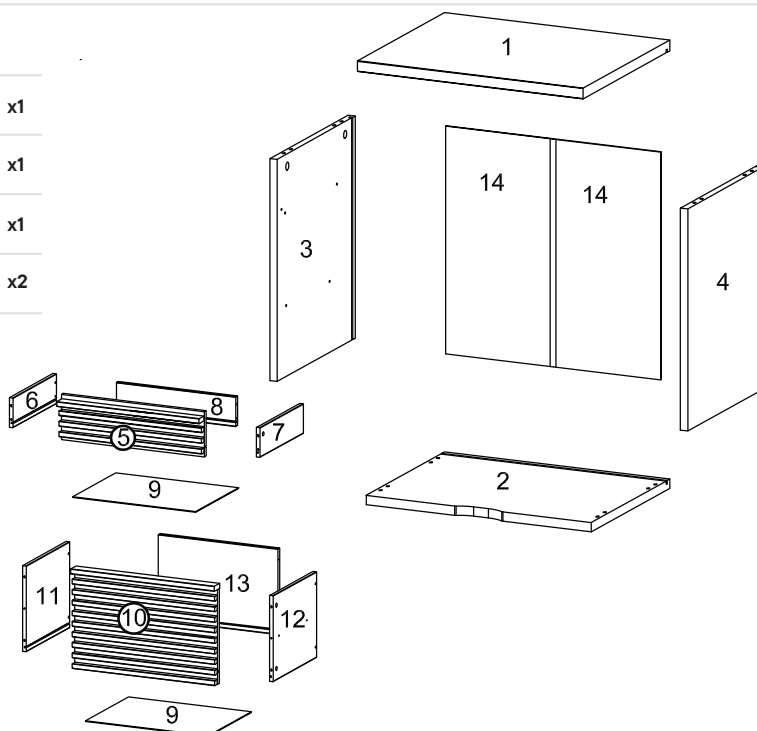
Do not over-tighten screws and bolts to avoid stripping the hardware or cracking the item.

Assemble your item on a flat, carpeted area, with plenty of space to work. This will prevent damage and scratches to your floors or the item while you're assembling the product.

Keep all components and packaging out of reach of children or animals to avoid risk of choking or suffocation.

Furniture components:

| | | | | | |
|----|-------------------------|----|----|-----------------------|----|
| 1 | Top Board | x1 | 11 | Side Drawer Left Big | x1 |
| 2 | Bottom Board | x1 | 12 | Side Drawer Right Big | x1 |
| 3 | Side Board Left | x1 | 13 | Back Drawer Big | x1 |
| 4 | Side Board Right | x1 | 14 | Back Board | x2 |
| 5 | Front Drawer Small | x1 | | | |
| 6 | Side Drawer Left Small | x1 | | | |
| 7 | Side Drawer Right Small | x1 | | | |
| 8 | Back Drawer Small | x1 | | | |
| 9 | Bottom Drawer | x2 | | | |
| 10 | Front Drawer Big | x1 | | | |



Provided hardware:

| | | | | | | | | | | | |
|---|--|---------------------|-----|---|--|-----------------------|-----|----------------|---------------------------|---------------------|-----|
| A | | Cam Bolt Ø6 x 35 mm | x4 | J | | Screw M 3.5 x 13 mm | x8 | S | | Screw M 4 x 16 mm | x16 |
| B | | Cam Lock Ø15 mm | x4 | K | | Screw M 7 x 50 mm | x4 | T | | Screw M 6.4 x 25 mm | x2 |
| C | | Cam Lock Ø12 mm | x6 | L | | Allen Key | x1 | RM30A | | Drawer Runner | x1 |
| D | | Wood Dowel Ø8x30 mm | x8 | M | | File Hang Rail | x2 | RB24A | | Drawer Runner | x1 |
| E | | Wood Dowel Ø6x30 mm | x4 | N | | Castor With Stopper | x2 | What you need: | | | |
| F | | Gap Cover Strip | x1 | O | | Castor | x2 | | Phillips Head Screwdriver | | |
| G | | Castor With Plate | x1 | P | | Screw M 3.5 x 15.5 mm | x14 | | | | |
| H | | Screw M 6 x 10.5 mm | x14 | Q | | Wedge | x14 | | | | |
| I | | Screw M 8 x 39 mm | x8 | R | | Cam Bolt Ø6 x 32 mm | x6 | | | | |

Wait!

Missing parts or hardware? Need assistance?
Contact us before returning your item. We're here to help!
609.256.9000 • cs@modway.com

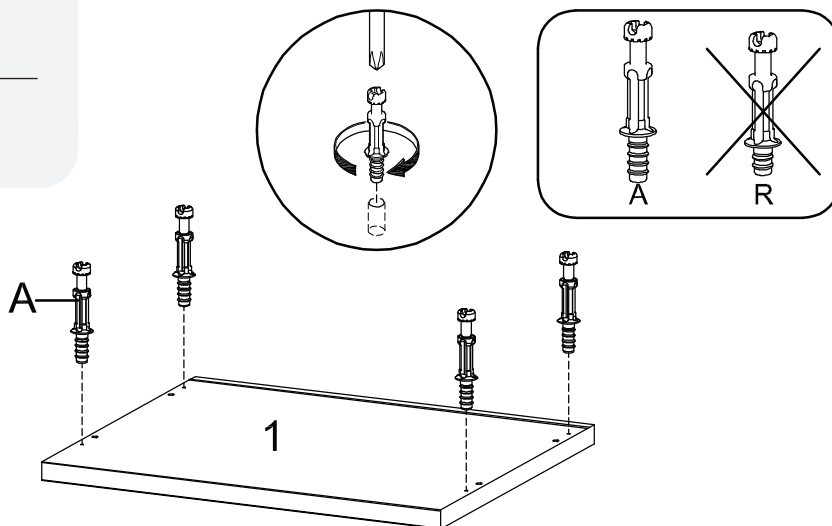
Step 1

HARDWARE

- A** Cam Bolt $\varnothing 6 \times 35$ mm x4

COMPONENTS

- 1** Top Board x1



Step 2

HARDWARE

- D** Wood Dowel $\varnothing 8 \times 30$ mm x8

- H** Screw M 6 x 10.5 mm x10

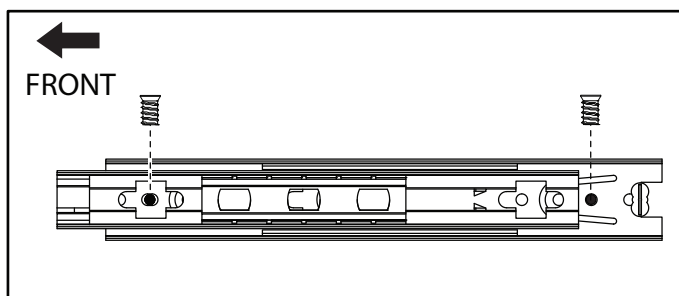
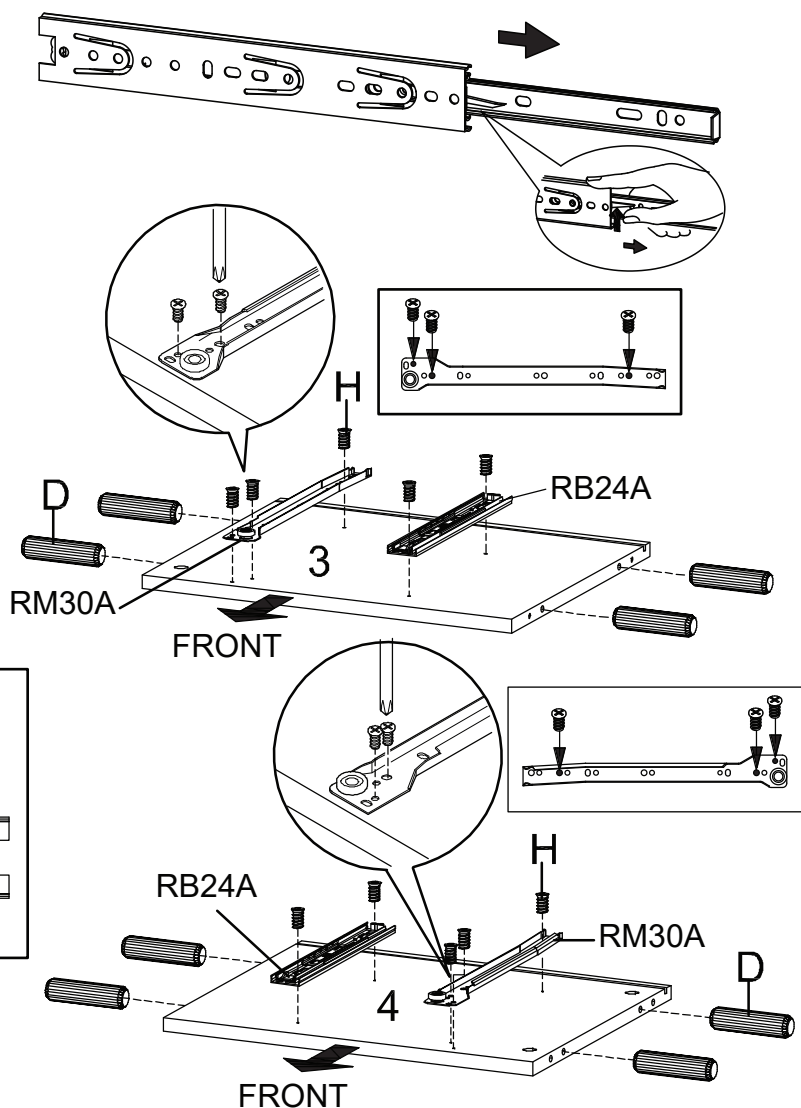
- RM30A** Drawer Runner x1

- RB24A** Drawer Runner x1

COMPONENTS

- 3** Side Board Left x1

- 4** Side Board Right x1



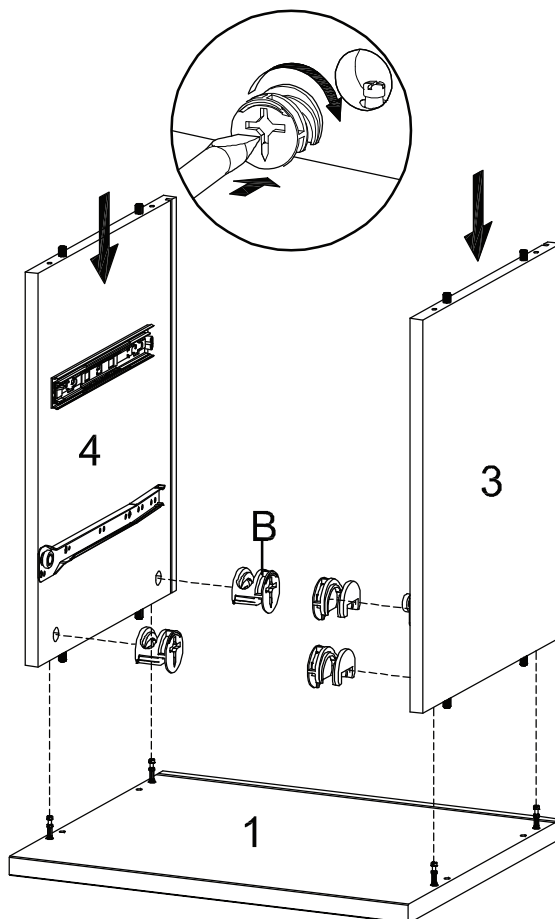
Step 3

HARDWARE

- B** Cam Lock Ø15 mm x4

COMPONENTS

- 1** Top Board x1
3 Side Board Left x1
4 Side Board Right x1



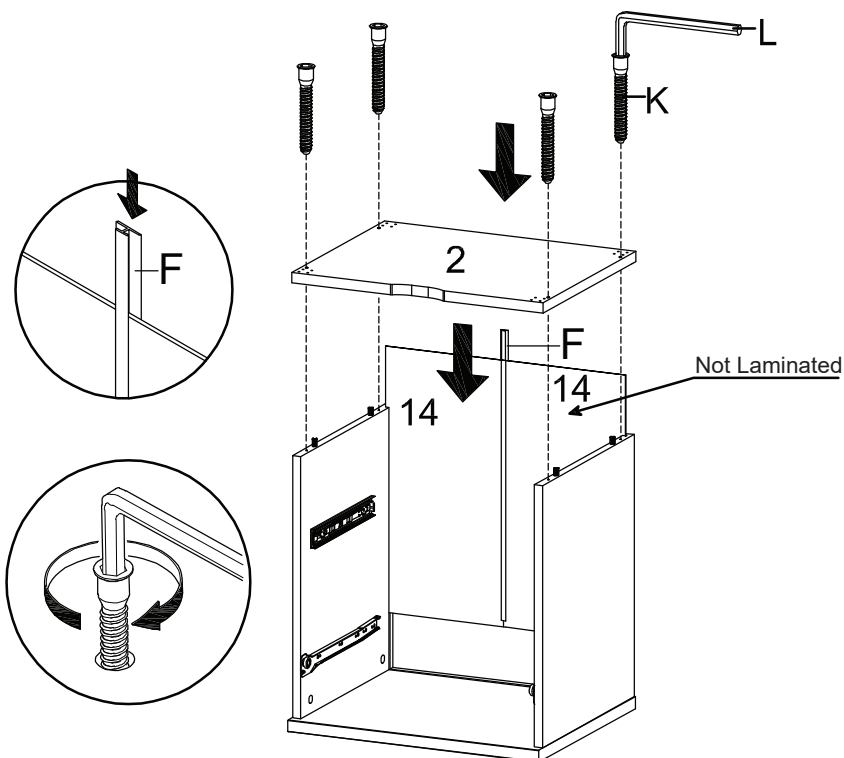
Step 4

HARDWARE

- F** Gap Cover Strip x1
K Screw M 7 x 50 mm x4
L Allen Key x1

COMPONENTS

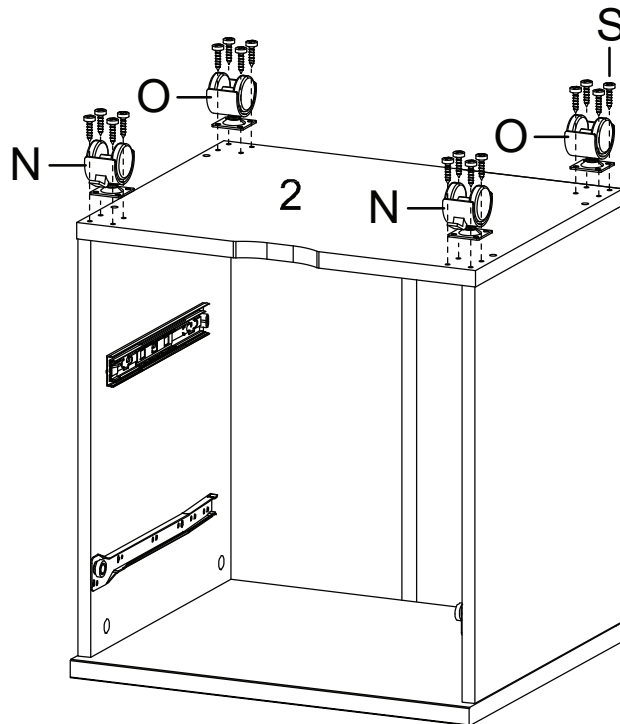
- 2** Bottom Board x1
14 Back Board x2



Step 5

HARDWARE

- N** Castor With Stopper x2
- O** Castor x2
- S** Screw M 4 x 16 mm x16



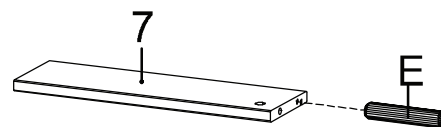
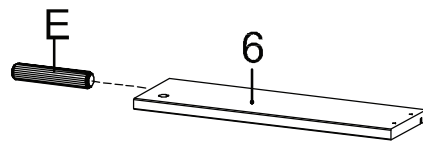
Step 6

HARDWARE

- E** Wood Dowel $\varnothing 6 \times 30$ mm x2

COMPONENTS

- 6** Side Drawer Left Small x1
- 7** Side Drawer Right Small x1



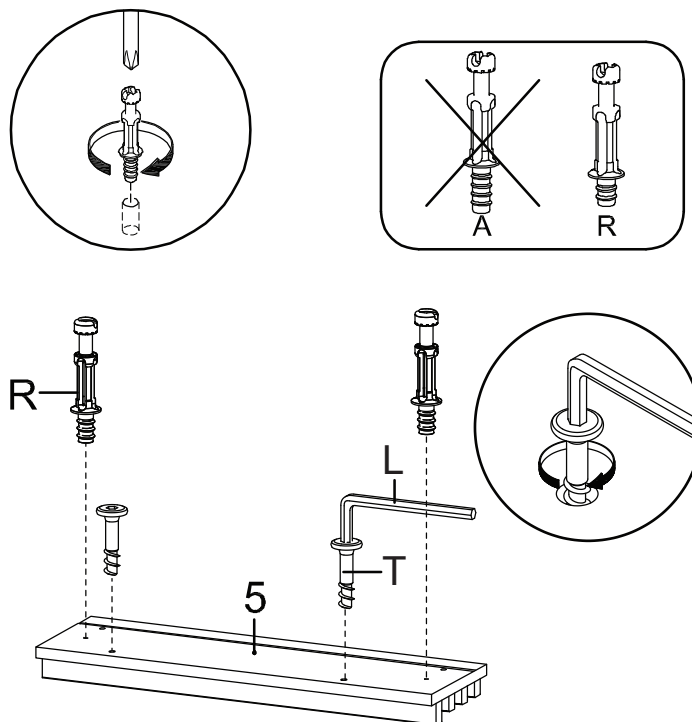
Step 7

HARDWARE

- L** Allen Key x1
- R** Cam Bolt Ø6 x 32 mm x2
- T** Screw M 6.4 x 25 mm x2

COMPONENTS

- 5** Front Drawer Small x1



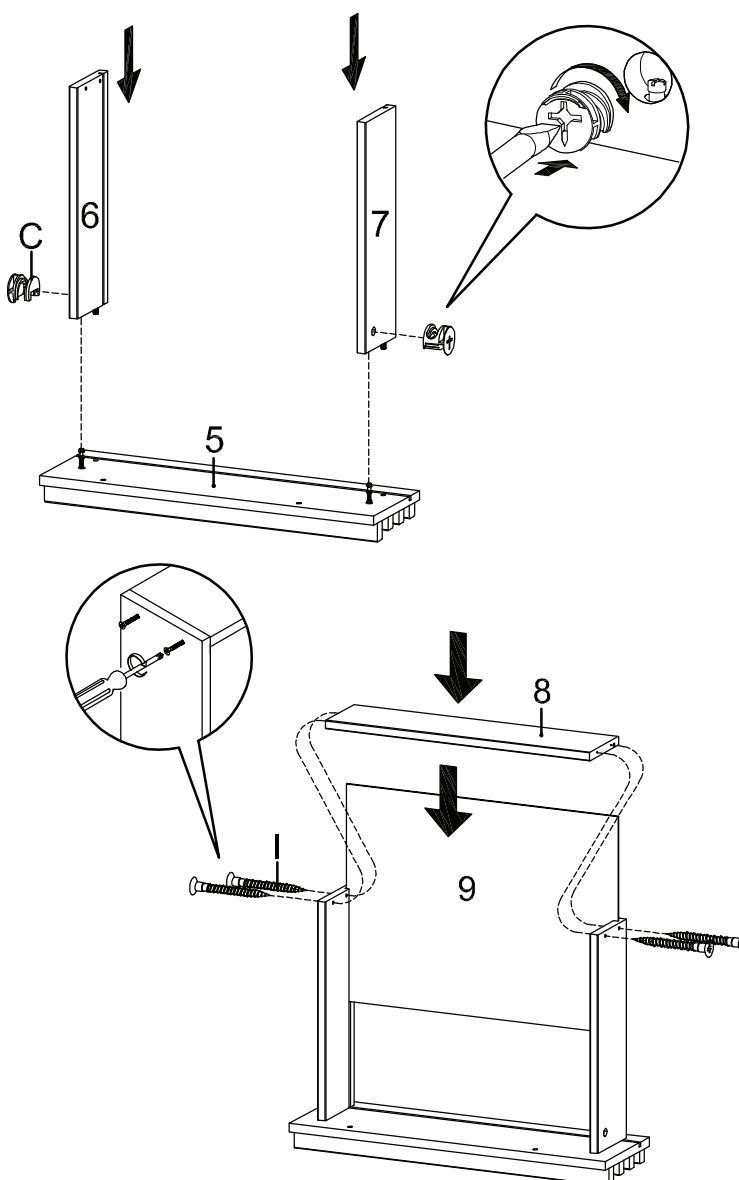
Step 8

HARDWARE

- C** Cam Lock Ø12 mm x2
- I** Screw M 8 x 39 mm x4

COMPONENTS

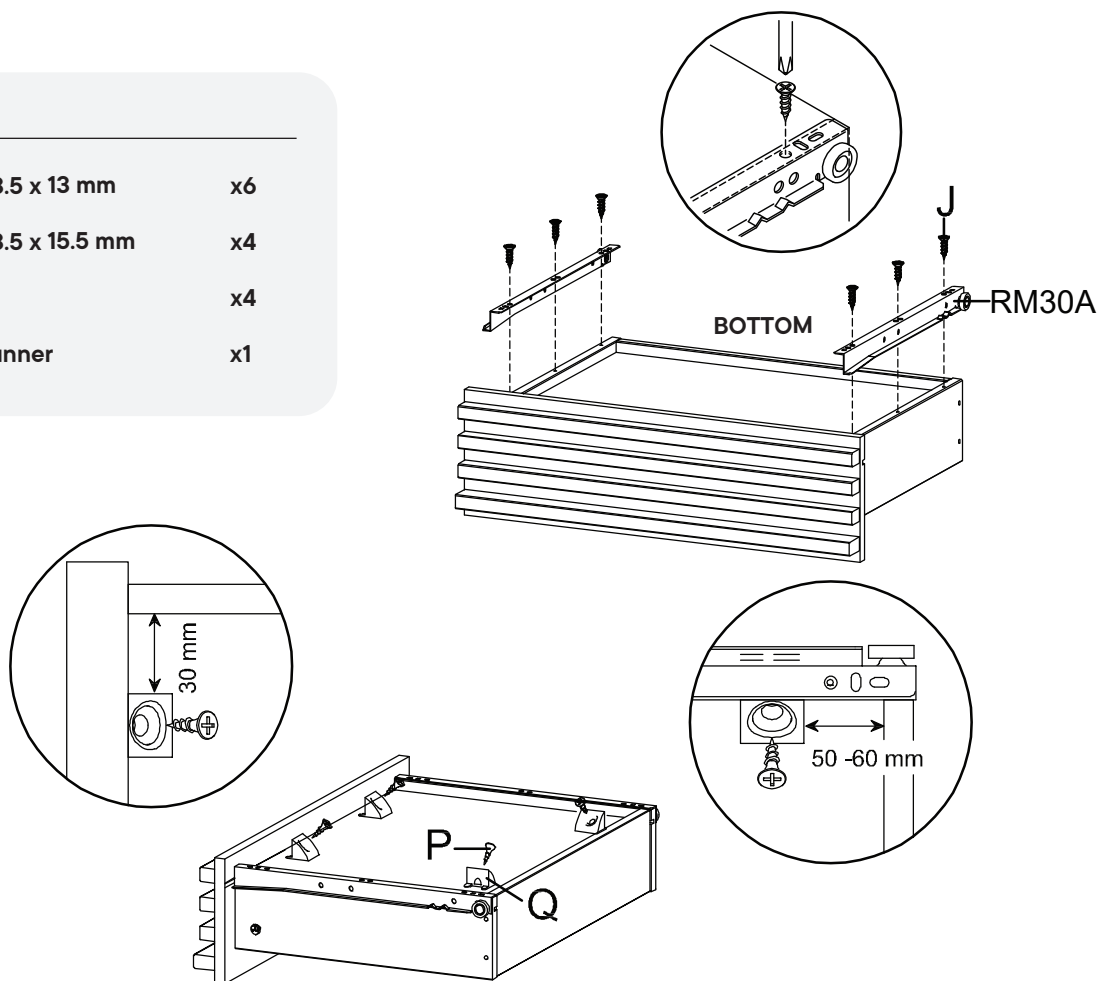
- 5** Front Drawer Small x1
- 6** Side Drawer Left Small x1
- 7** Side Drawer Right Small x1
- 8** Back Drawer Small x1
- 9** Bottom Drawer x1



Step 9

HARDWARE

- J** Screw M 3.5 x 13 mm x6
- P** Screw M 3.5 x 15.5 mm x4
- Q** Wedge x4
- RM30A** Drawer Runner x1



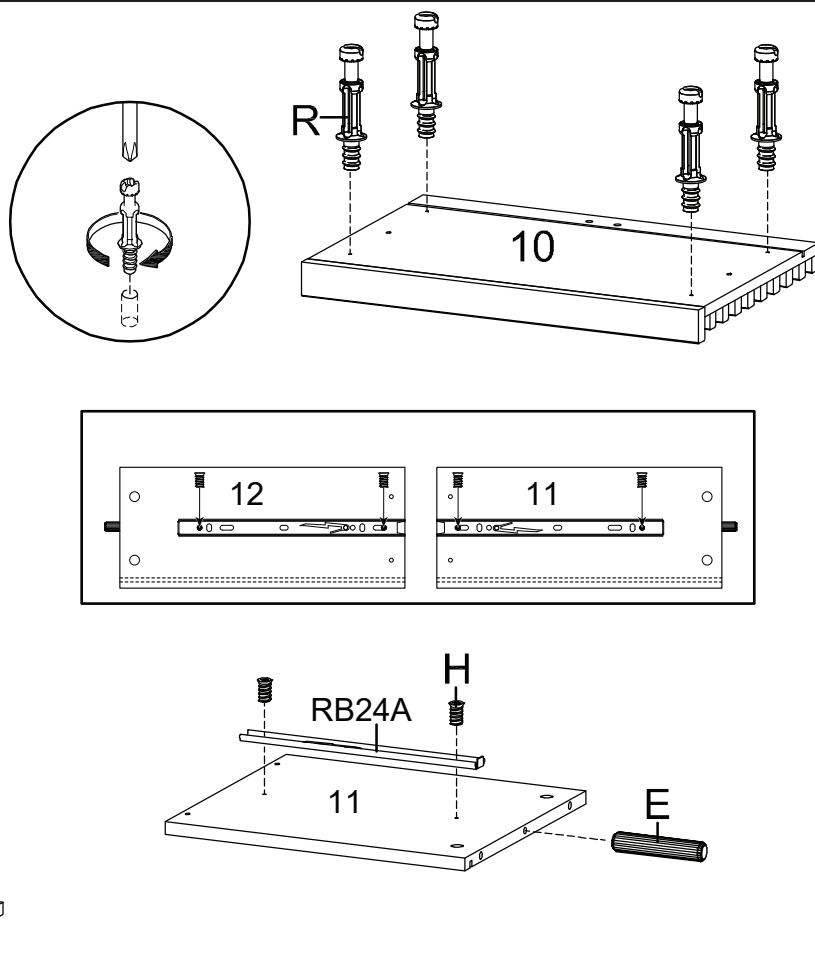
Step 10

HARDWARE

- E** Wood Dowel $\varnothing 6 \times 30$ mm x2
- H** Screw M 6 x 10.5 mm x4
- R** Cam Bolt $\varnothing 6 \times 32$ mm x4
- RB24A** Drawer Runner x1

COMPONENTS

- 10** Front Drawer Big x1
- 11** Side Drawer Left Big x1
- 12** Side Drawer Right Big x1



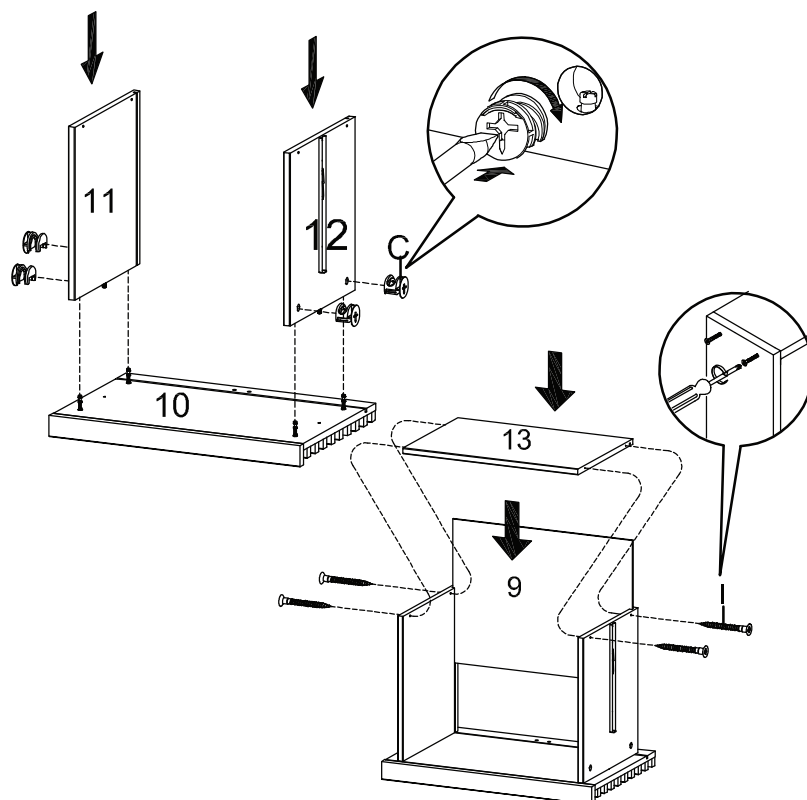
Step 11

HARDWARE

- C** Cam Lock Ø12 mm x4
- I** Screw M 8 x 39 mm x4

COMPONENTS

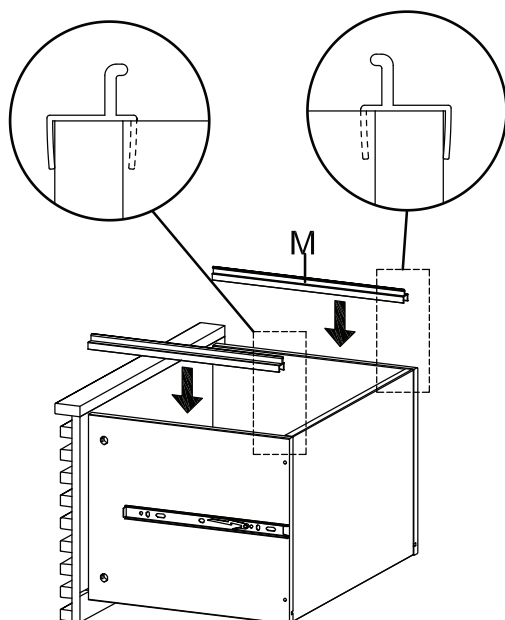
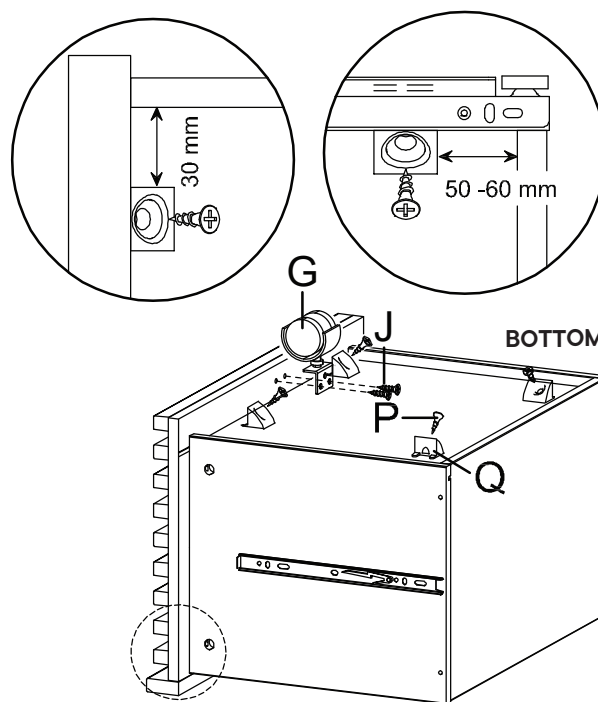
- 9** Bottom Drawer x1
- 10** Front Drawer Big x1
- 11** Side Drawer Left Big x1
- 12** Side Drawer Right Big x1
- 13** Back Drawer Big x1



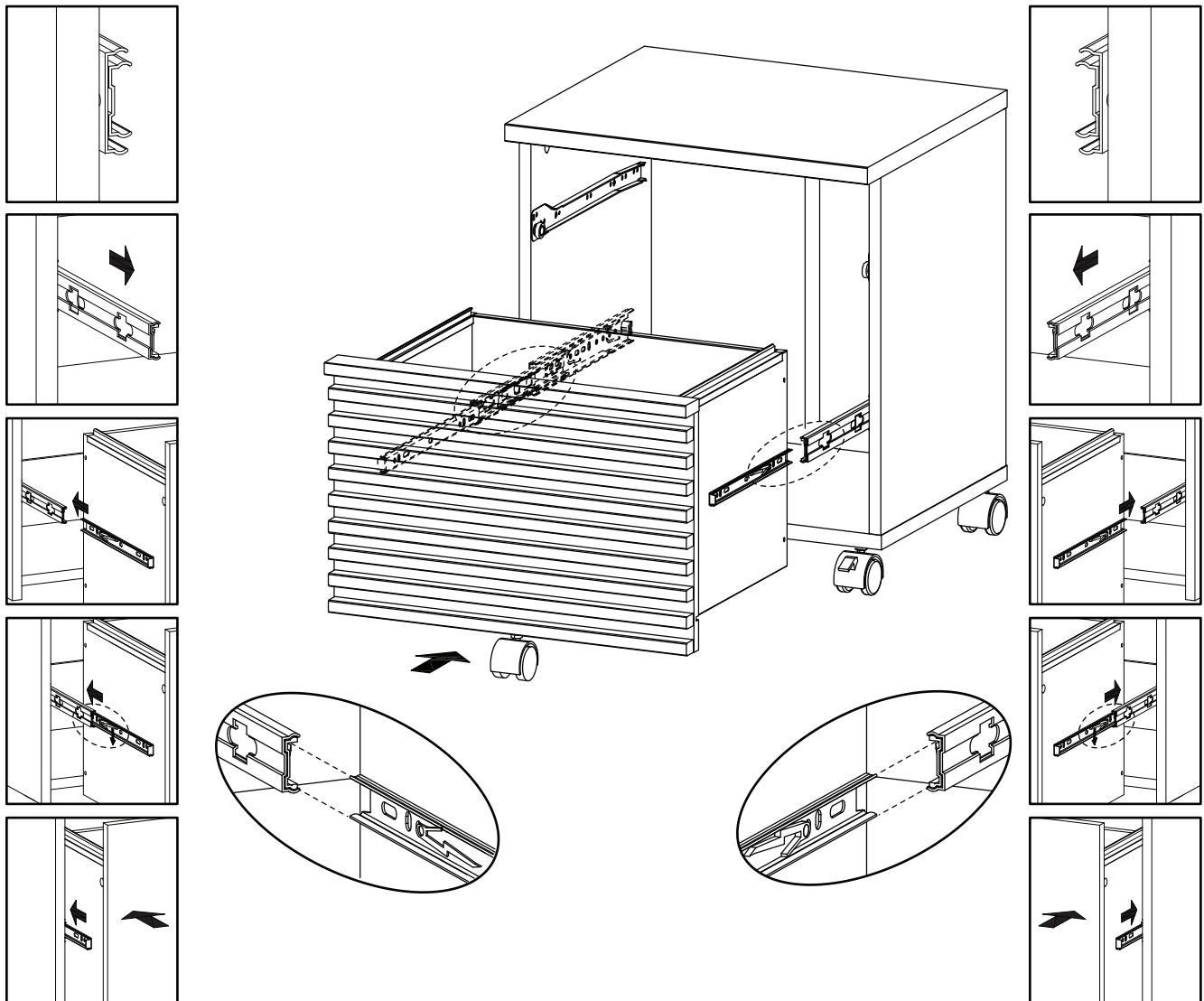
Step 12

HARDWARE

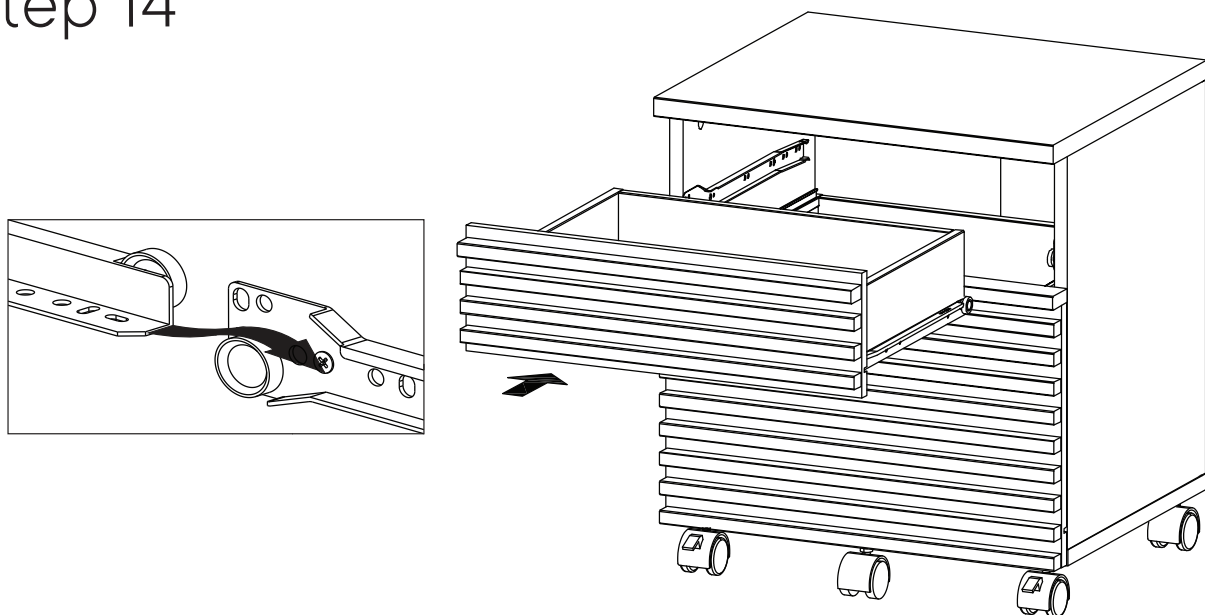
- J** Screw M 3.5 x 13 mm x2
- M** File Hang Rail x2
- P** Screw M 3.5 x 15.5 mm x4
- Q** Wedge x4
- G** Castor With Plate x1



Step 13



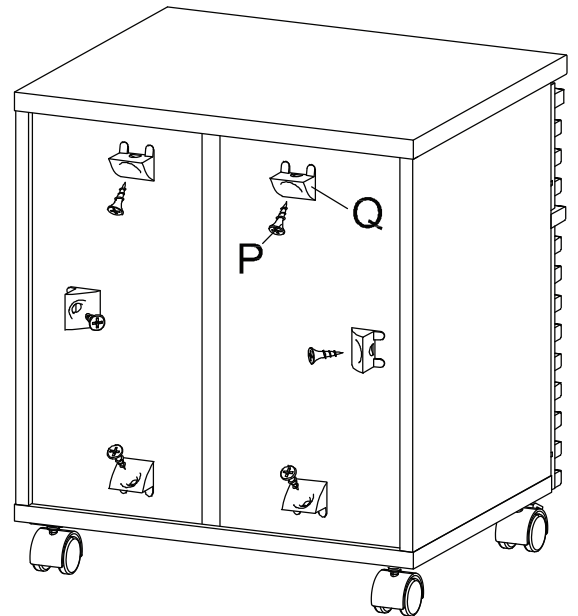
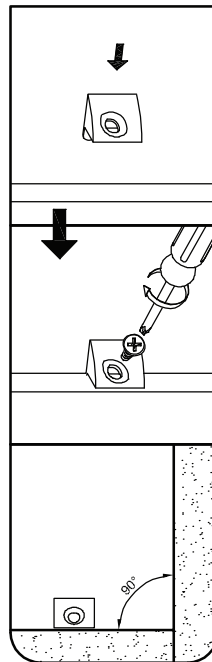
Step 14



Step 15

HARDWARE

- P** Screw M 3.5 x 15.5 mm x6
- Q** Wedge x6



Great job!

Trolley assembly is complete

♥ CARING FOR YOUR ITEM

Indoor use only.

Not contract grade.

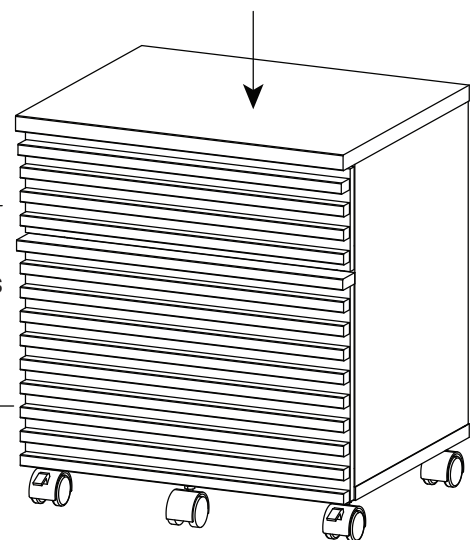
Clean using a non-abrasive cloth and a mild cleaner.

Never use harsh chemicals, as they could damage the finish or integrity of the item.

Max 7 Kg / 15.43 Lbs

Max 17 Kg / 37.47 Lbs

Max 91 Kg / 200.62 Lbs



CONNECT WITH US!   

Tag us @modway_furniture and #modway for a chance to be featured.