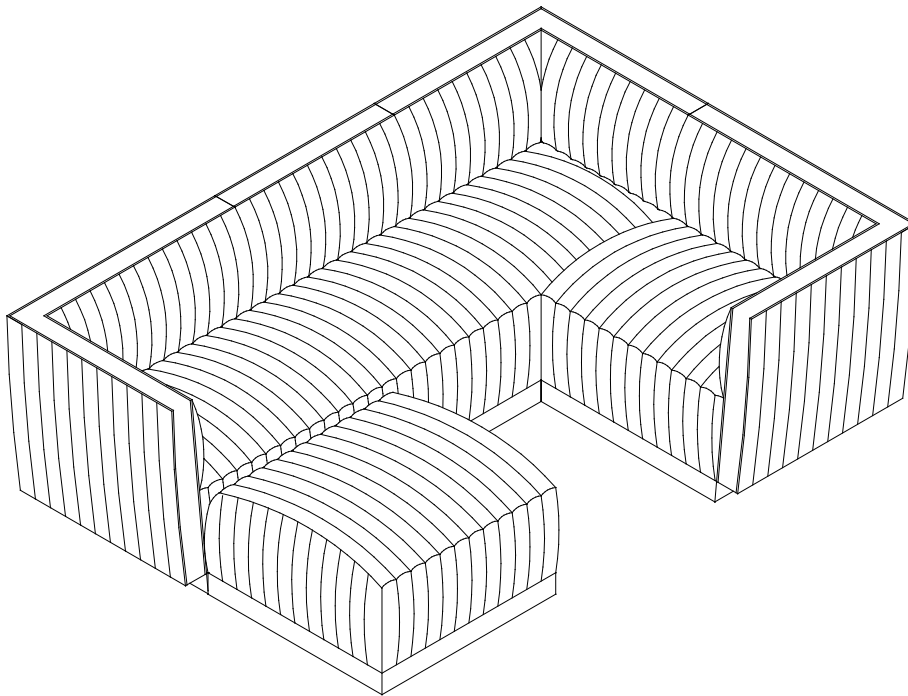
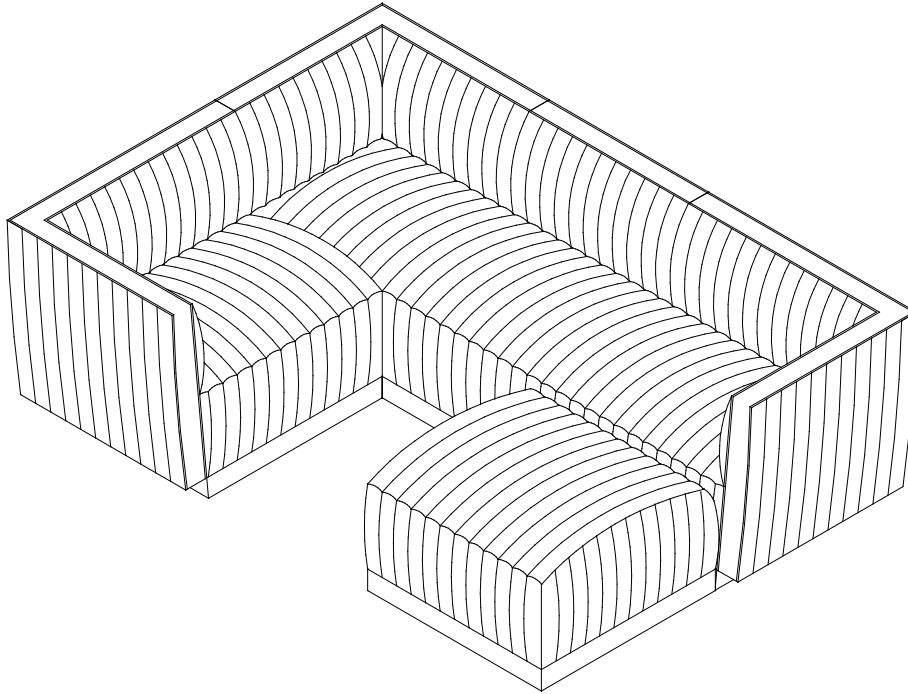


ASSEMBLY INSTRUCTIONS

EI-5490, 5491, 5492, 5493, 5494, 5495, 5496, 5497, 5498

5499, 5500, 5501, 5502, 5503, 5504, 5505, 5506, 5507

V1.06.22.21



Questions? Contact us!

609.256.9000 • cs@modway.com
www.modway.com

***modway**

Let's get started!

*modway



Read through all of the instructions before starting



Care instructions are listed in the last step of this manual

Assemble your item on a flat, carpeted area, with plenty of space to work. This will prevent damage and scratches to your floors or the item while you're assembling the product.

Keep all components and packaging out of reach of children or animals to avoid risk of choking or suffocation.



Approx. 30 minutes assembly time



Make sure you have all parts and components before discarding any packing materials

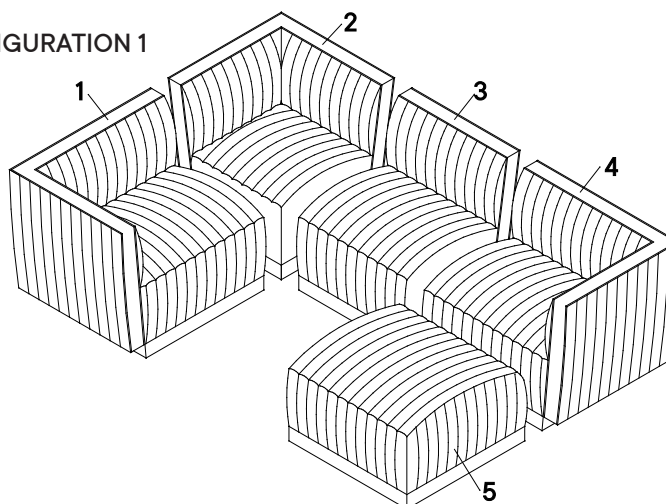


2 people recommended for assembly

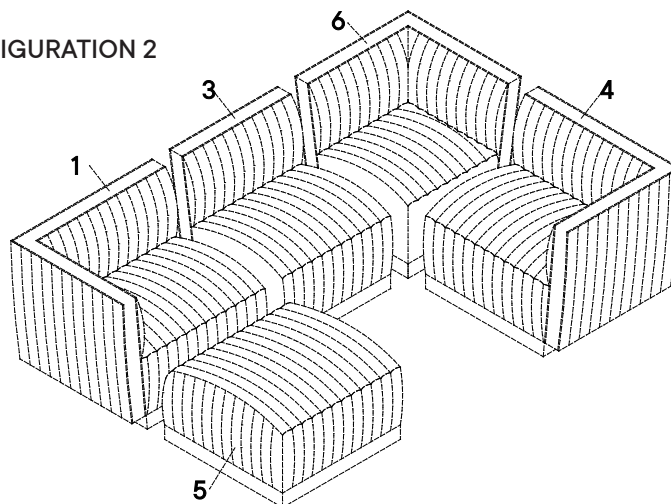
Furniture components:

1	Left Arm Chair	x1
2	Left Corner	x1
3	Armless Chair	x1
4	Right Arm Chair	x1
5	Ottoman	x1

CONFIGURATION 1



CONFIGURATION 2



Alternate component:

6	Right Corner	x1
---	--------------	----

Wait!

Missing parts or hardware? Need assistance?

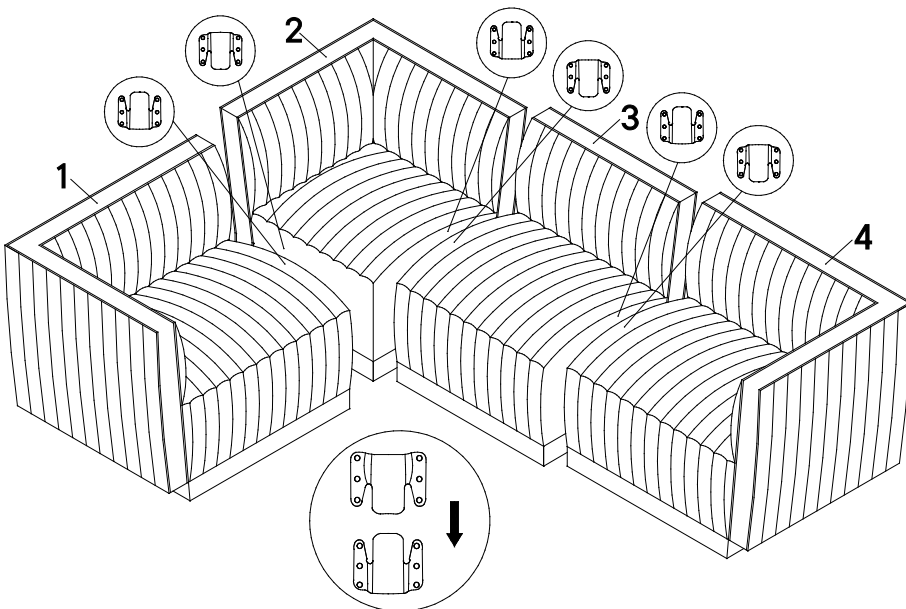
Contact us before returning your item. We're here to help!
609.256.9000 • cs@modway.com

NOTE: These steps are for the assembly of Configuration 1.
For Configuration 2, skip ahead to the next set of steps.

Step 1

COMPONENTS

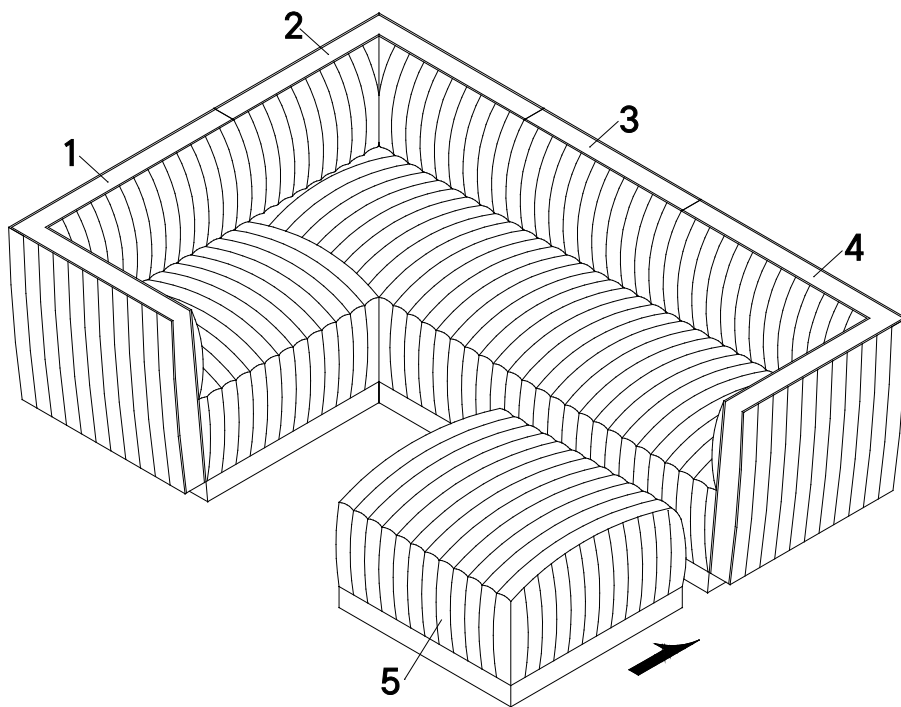
- | | | |
|---|-----------------|----|
| 1 | Left Arm Chair | x1 |
| 2 | Left Corner | x1 |
| 3 | Armless Chair | x1 |
| 4 | Right Arm Chair | x1 |



Step 2

COMPONENTS

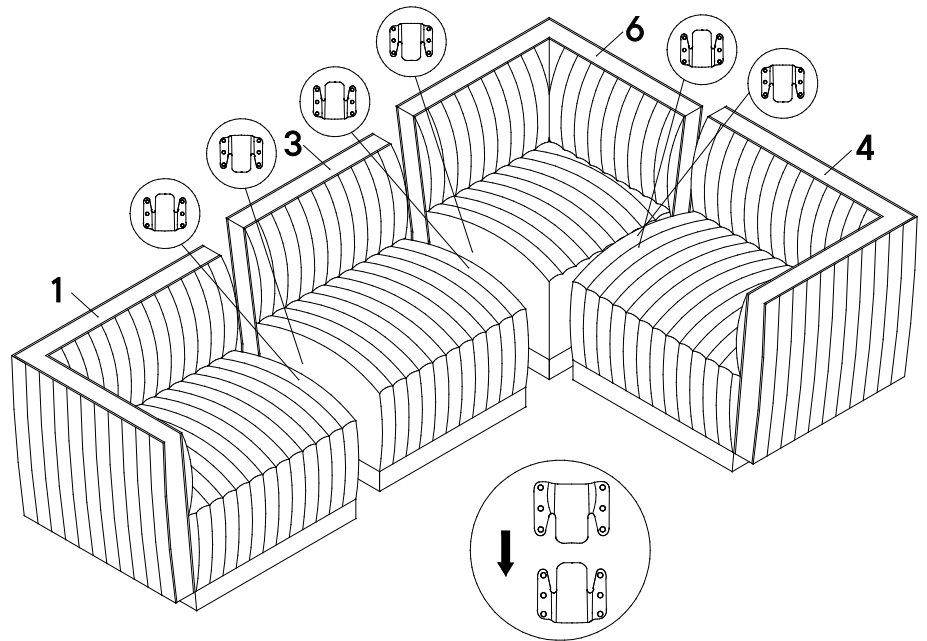
- | | | |
|---|---------|----|
| 5 | Ottoman | x1 |
|---|---------|----|



Step 1

COMPONENTS

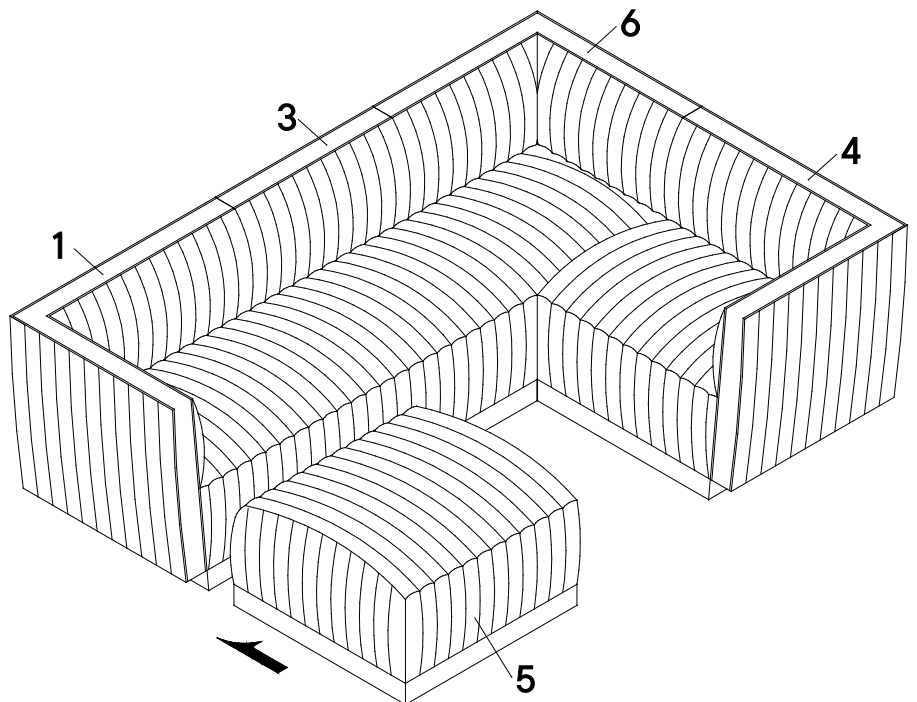
- 1 Left Arm Chair x1
- 3 Armless Chair x1
- 6 Right Corner x1
- 4 Right Arm Chair x1



Step 2

COMPONENTS

- 5 Ottoman x1



Great job!

Your sectional sofa assembly is complete and ready to enjoy.

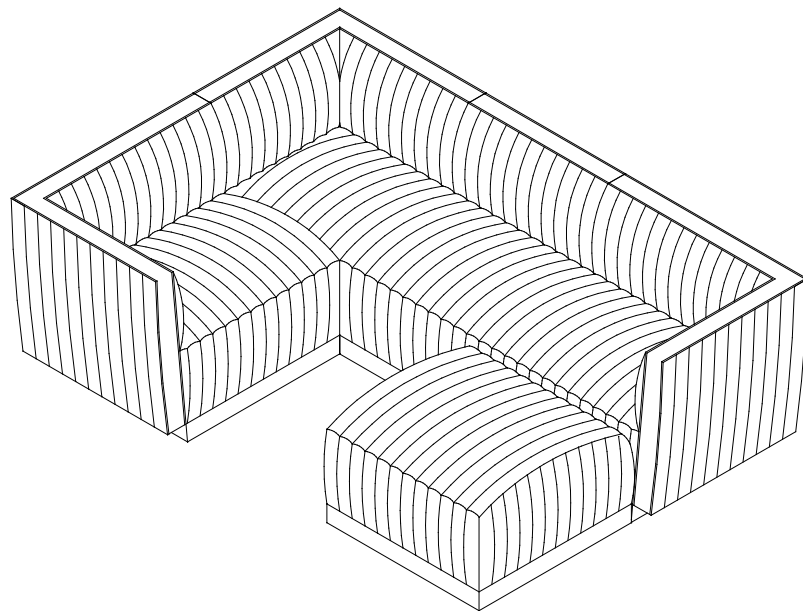
♥ CARING FOR YOUR ITEM

Indoor use only.

Not contract grade.

Clean using a non-abrasive cloth and a mild cleaner.

Never use harsh chemicals, as they could damage the finish or integrity of the item.



CONNECT WITH US!   

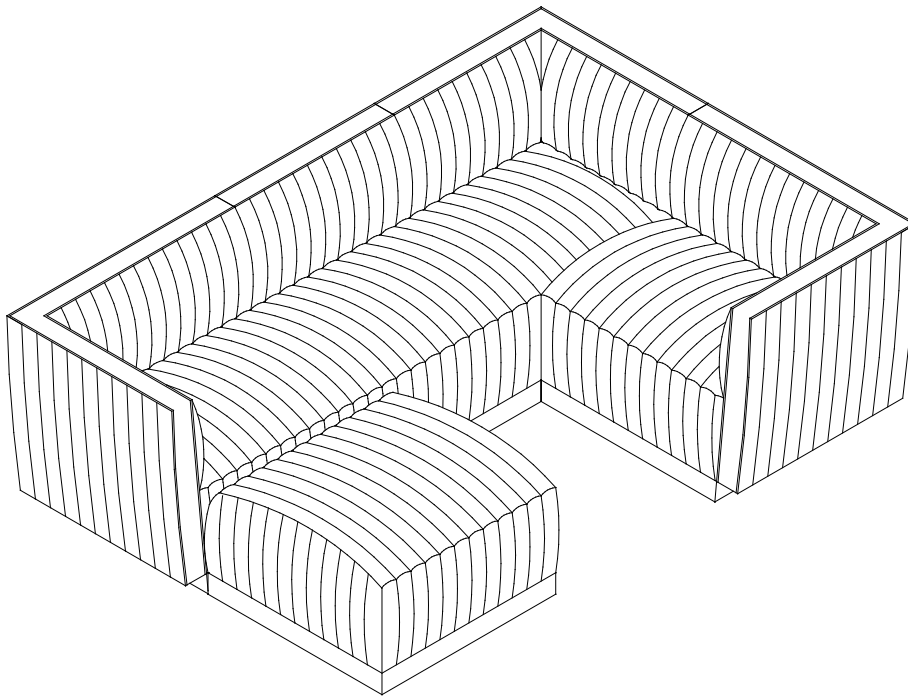
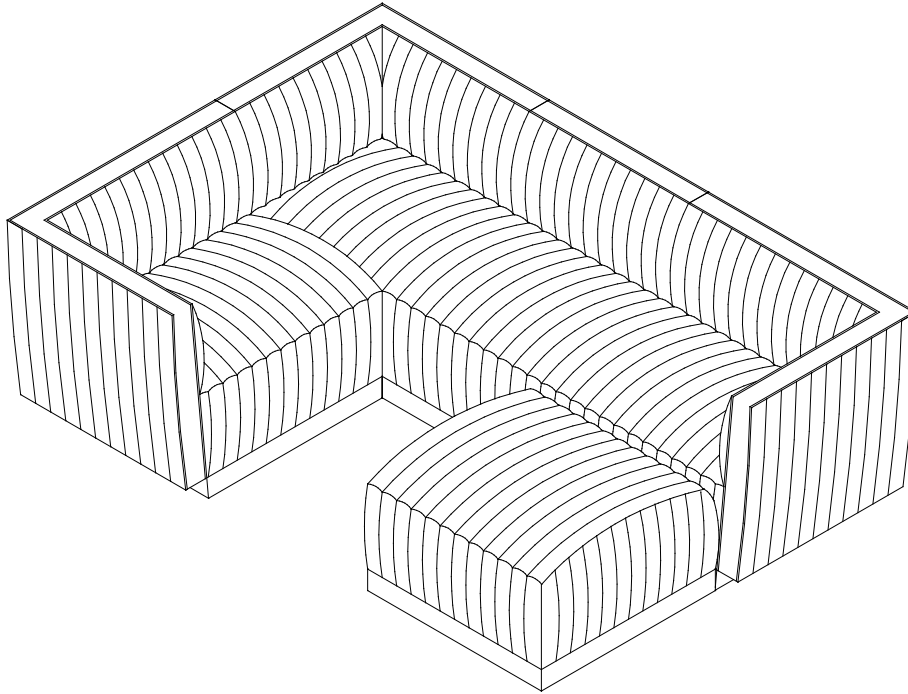
Tag us [@modway_furniture](#) and [#modway](#) for a chance to be featured.

ASSEMBLY INSTRUCTIONS

EEl-5490, 5491, 5492, 5493, 5494, 5495, 5496, 5497, 5498

5499, 5500, 5501, 5502, 5503, 5504, 5505, 5506, 5507

V1.06.22.21



Questions? Contact us!

609.256.9000 • cs@modway.com

www.modway.com

*modway

Let's get started!

*modway



Read through all of the instructions before starting



Care instructions are listed in the last step of this manual

Assemble your item on a flat, carpeted area, with plenty of space to work. This will prevent damage and scratches to your floors or the item while you're assembling the product.

Keep all components and packaging out of reach of children or animals to avoid risk of choking or suffocation.



Approx. 30 minutes assembly time



Make sure you have all parts and components before discarding any packing materials

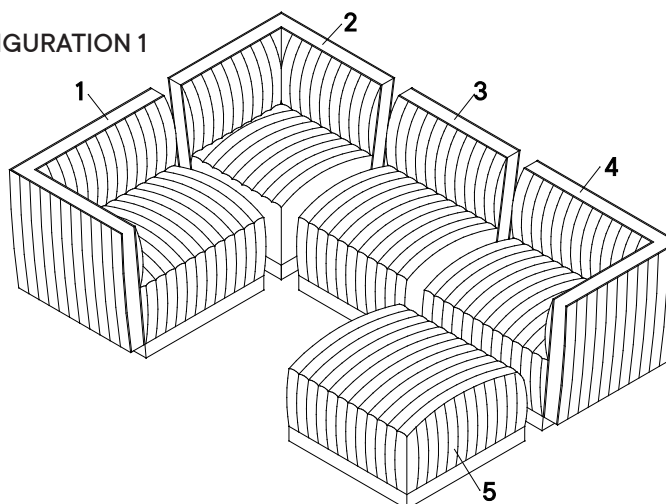


2 people recommended for assembly

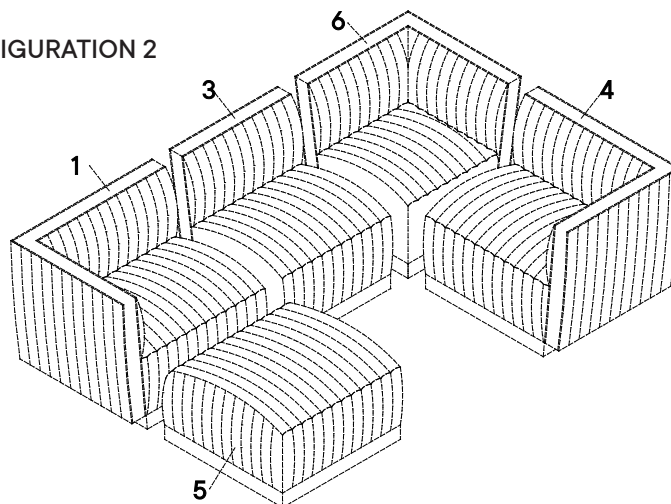
Furniture components:

1	Left Arm Chair	x1
2	Left Corner	x1
3	Armless Chair	x1
4	Right Arm Chair	x1
5	Ottoman	x1

CONFIGURATION 1



CONFIGURATION 2



Alternate component:

6	Right Corner	x1
---	--------------	----

Wait!

Missing parts or hardware? Need assistance?

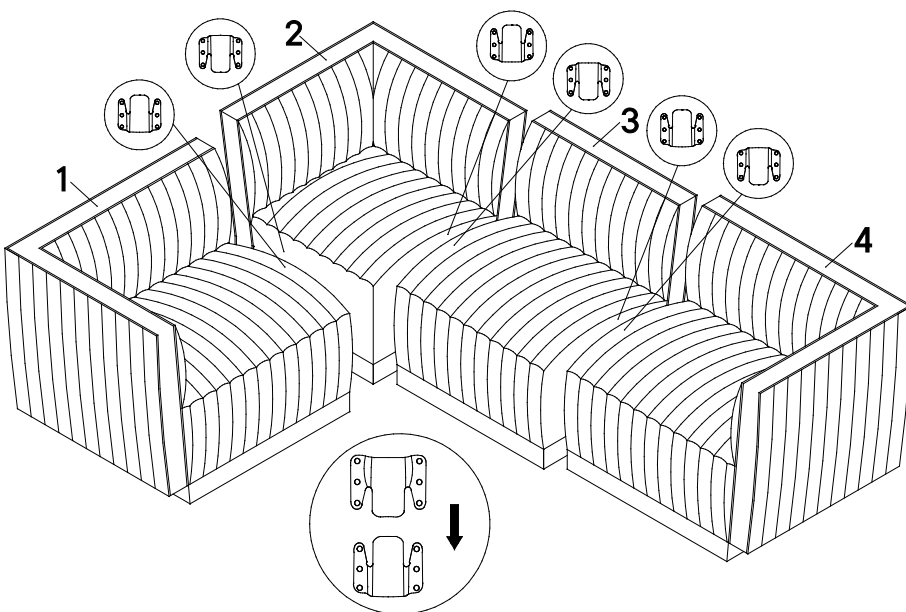
Contact us before returning your item. We're here to help!
609.256.9000 • cs@modway.com

NOTE: These steps are for the assembly of Configuration 1.
For Configuration 2, skip ahead to the next set of steps.

Step 1

COMPONENTS

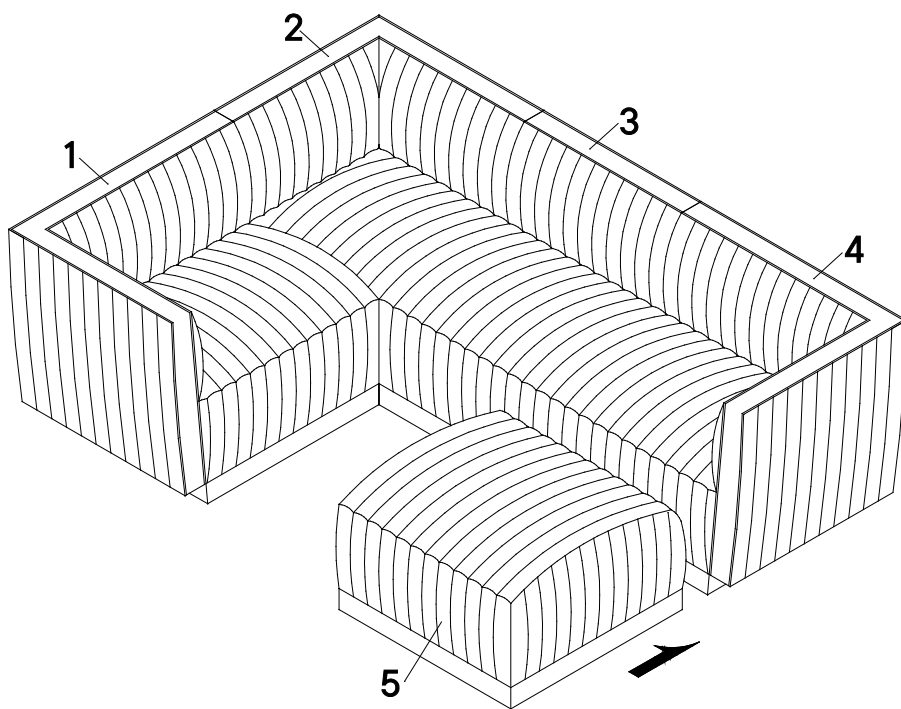
- | | | |
|---|-----------------|----|
| 1 | Left Arm Chair | x1 |
| 2 | Left Corner | x1 |
| 3 | Armless Chair | x1 |
| 4 | Right Arm Chair | x1 |



Step 2

COMPONENTS

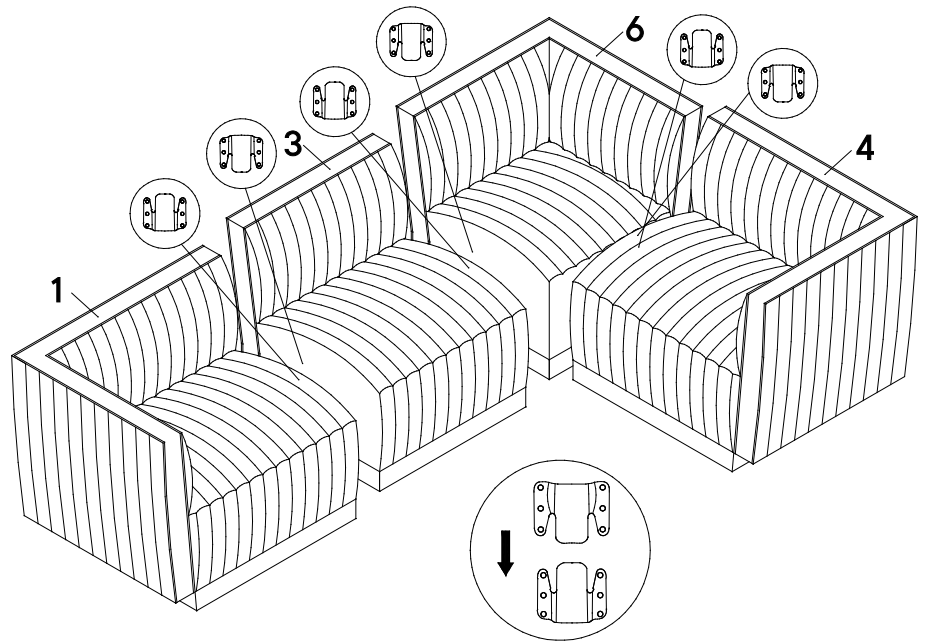
- | | | |
|---|---------|----|
| 5 | Ottoman | x1 |
|---|---------|----|



Step 1

COMPONENTS

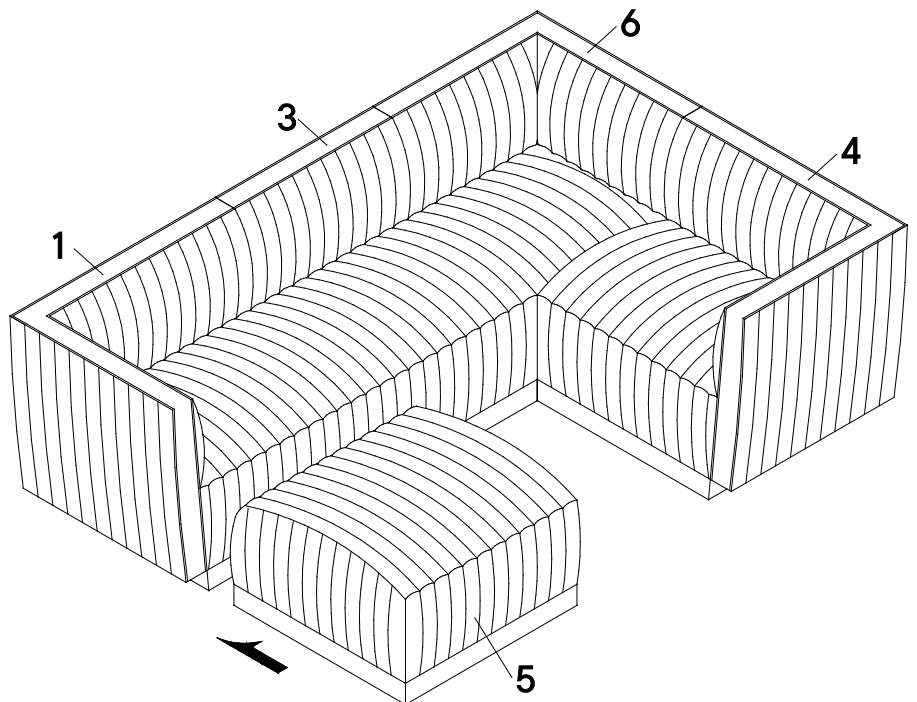
- 1 Left Arm Chair x1
- 3 Armless Chair x1
- 6 Right Corner x1
- 4 Right Arm Chair x1



Step 2

COMPONENTS

- 5 Ottoman x1



Great job!

Your sectional sofa assembly is complete and ready to enjoy.

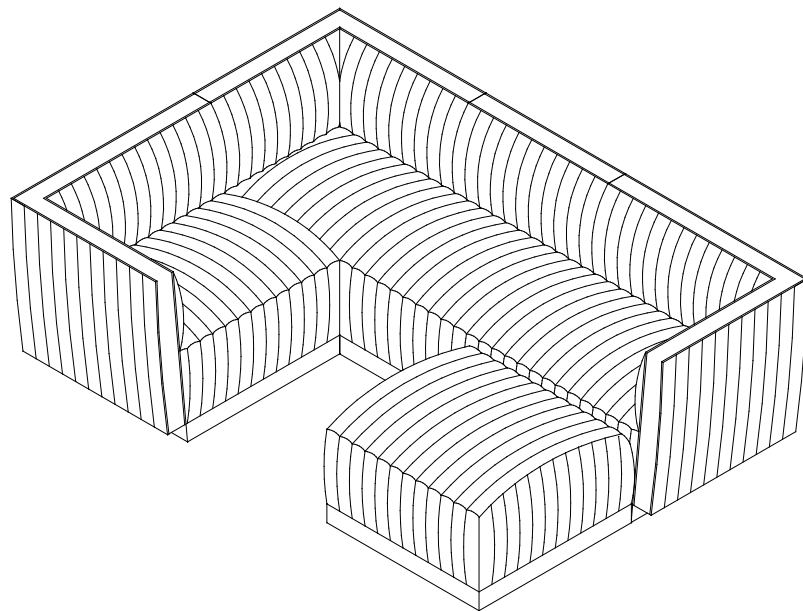
♥ CARING FOR YOUR ITEM

Indoor use only.

Not contract grade.

Clean using a non-abrasive cloth and a mild cleaner.

Never use harsh chemicals, as they could damage the finish or integrity of the item.



CONNECT WITH US!   

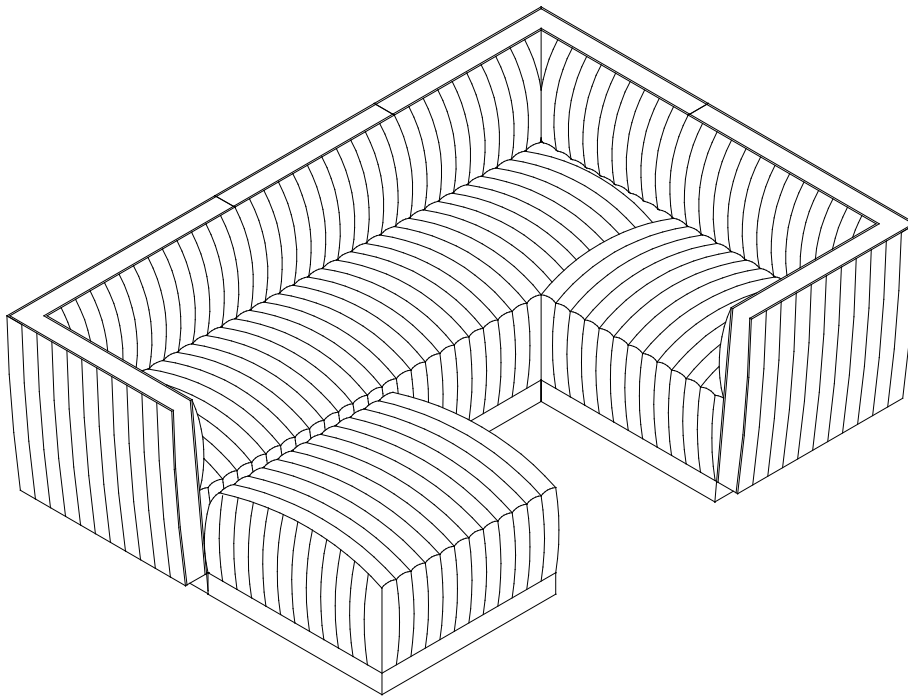
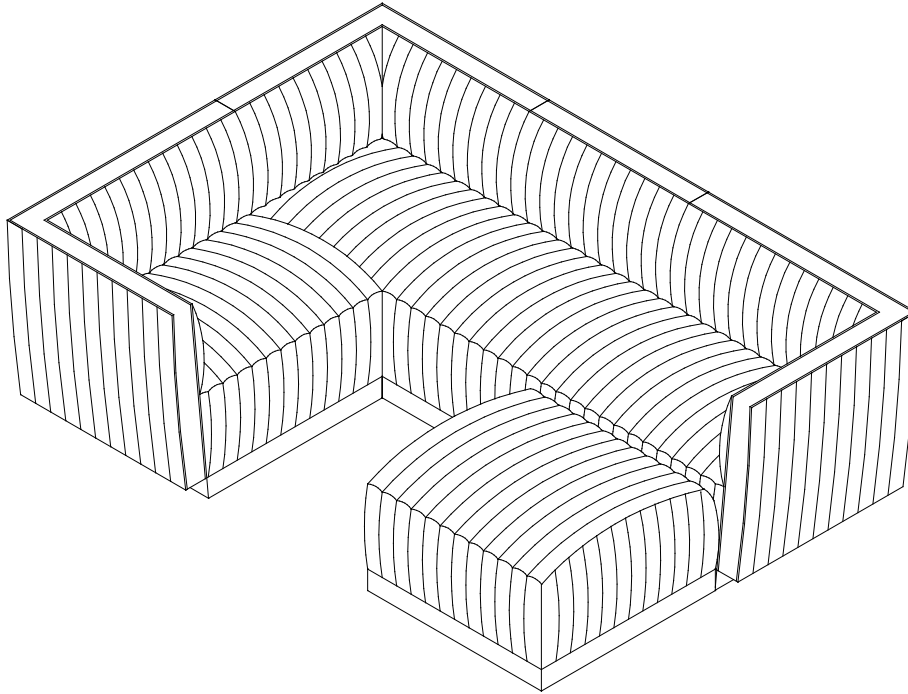
Tag us [@modway_furniture](#) and [#modway](#) for a chance to be featured.

ASSEMBLY INSTRUCTIONS

EI-5490, 5491, 5492, 5493, 5494, 5495, 5496, 5497, 5498

5499, 5500, 5501, 5502, 5503, 5504, 5505, 5506, 5507

V1.06.22.21



Questions? Contact us!

609.256.9000 • cs@modway.com

www.modway.com

***modway**

Let's get started!

*modway



Read through all of the instructions before starting



Care instructions are listed in the last step of this manual

Assemble your item on a flat, carpeted area, with plenty of space to work. This will prevent damage and scratches to your floors or the item while you're assembling the product.

Keep all components and packaging out of reach of children or animals to avoid risk of choking or suffocation.



Approx. 30 minutes assembly time



Make sure you have all parts and components before discarding any packing materials

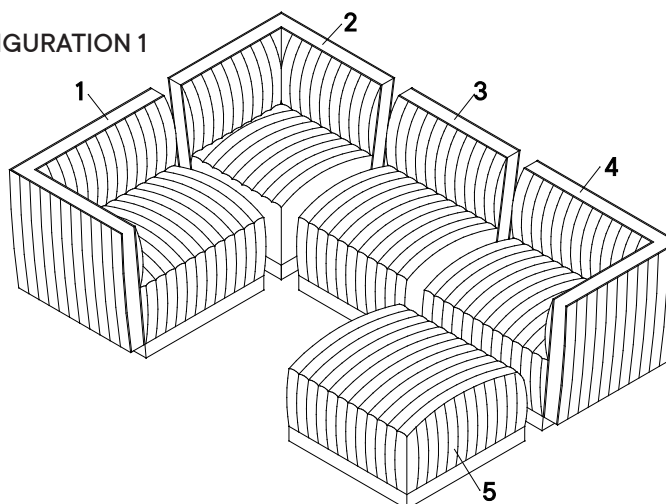


2 people recommended for assembly

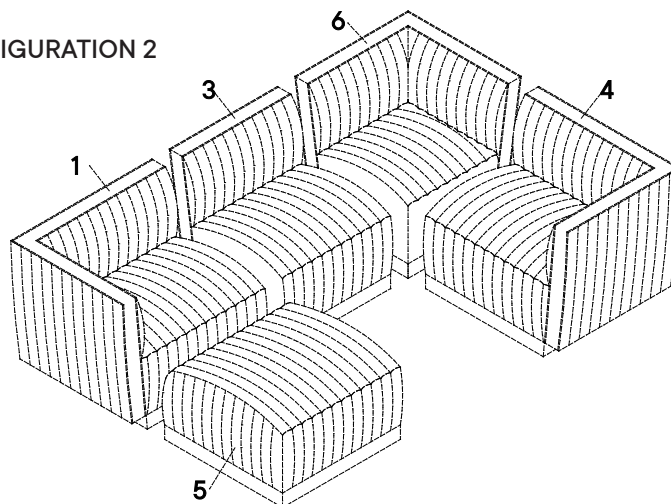
Furniture components:

1	Left Arm Chair	x1
2	Left Corner	x1
3	Armless Chair	x1
4	Right Arm Chair	x1
5	Ottoman	x1

CONFIGURATION 1



CONFIGURATION 2



Alternate component:

6	Right Corner	x1
---	--------------	----

Wait!

Missing parts or hardware? Need assistance?

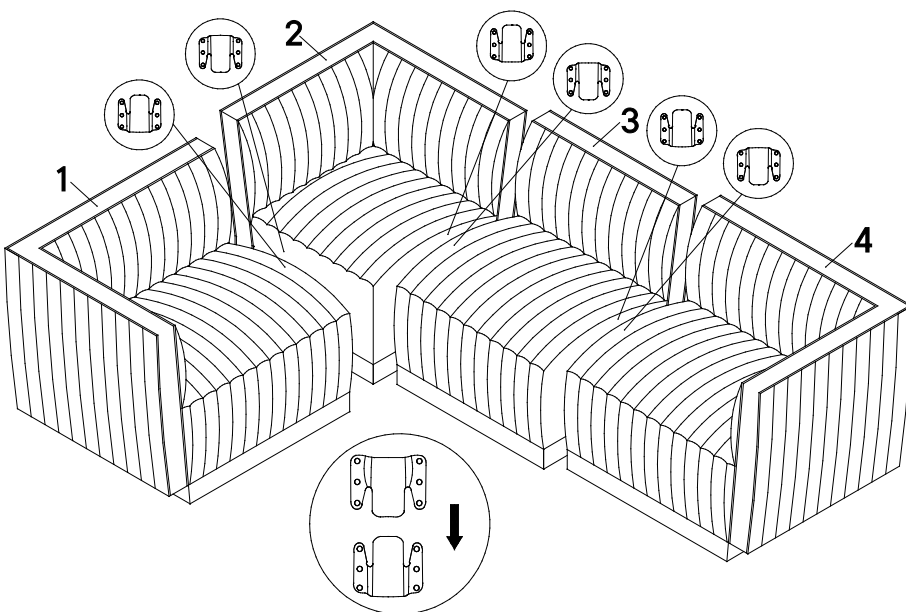
Contact us before returning your item. We're here to help!
609.256.9000 • cs@modway.com

NOTE: These steps are for the assembly of Configuration 1.
For Configuration 2, skip ahead to the next set of steps.

Step 1

COMPONENTS

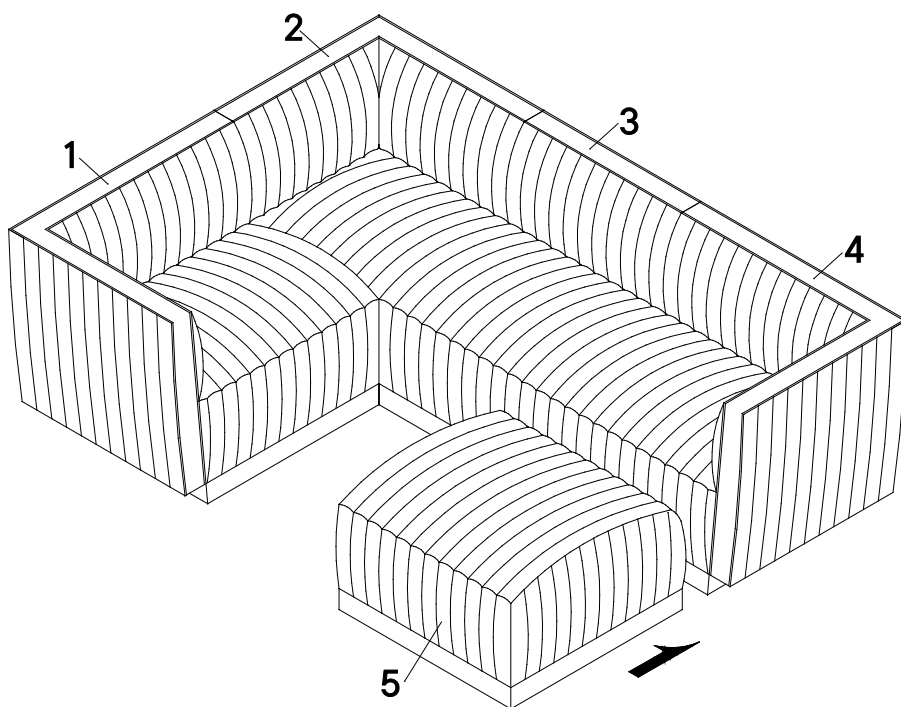
- | | | |
|---|-----------------|----|
| 1 | Left Arm Chair | x1 |
| 2 | Left Corner | x1 |
| 3 | Armless Chair | x1 |
| 4 | Right Arm Chair | x1 |



Step 2

COMPONENTS

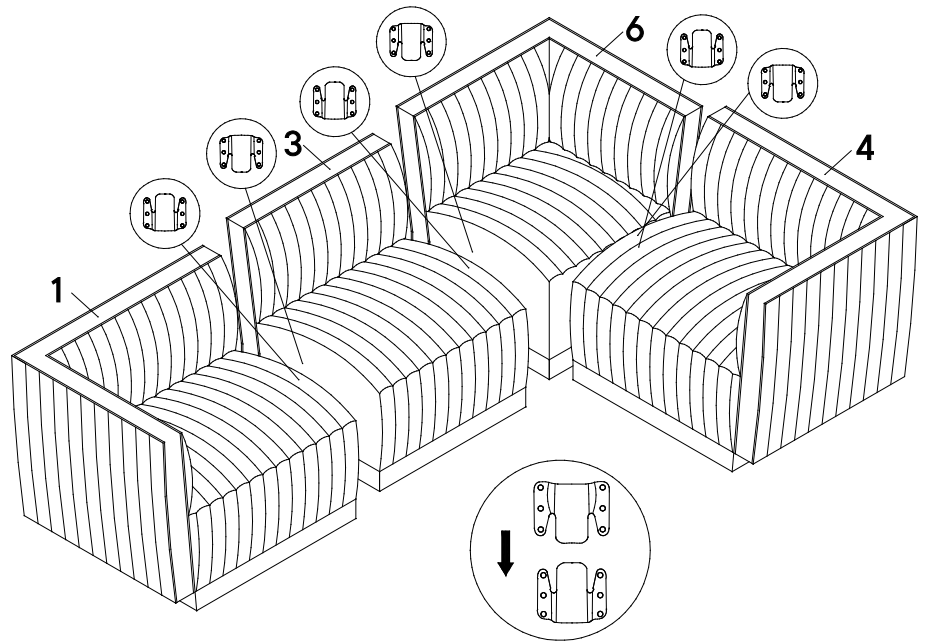
- | | | |
|---|---------|----|
| 5 | Ottoman | x1 |
|---|---------|----|



Step 1

COMPONENTS

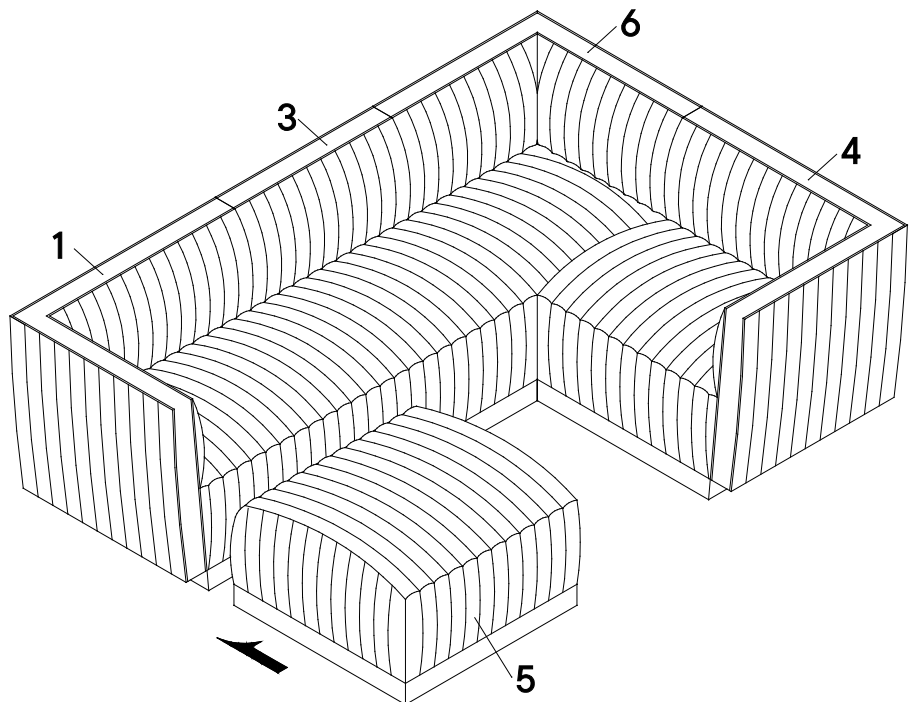
- 1 Left Arm Chair x1
- 3 Armless Chair x1
- 6 Right Corner x1
- 4 Right Arm Chair x1



Step 2

COMPONENTS

- 5 Ottoman x1



Great job!

Your sectional sofa assembly is complete and ready to enjoy.

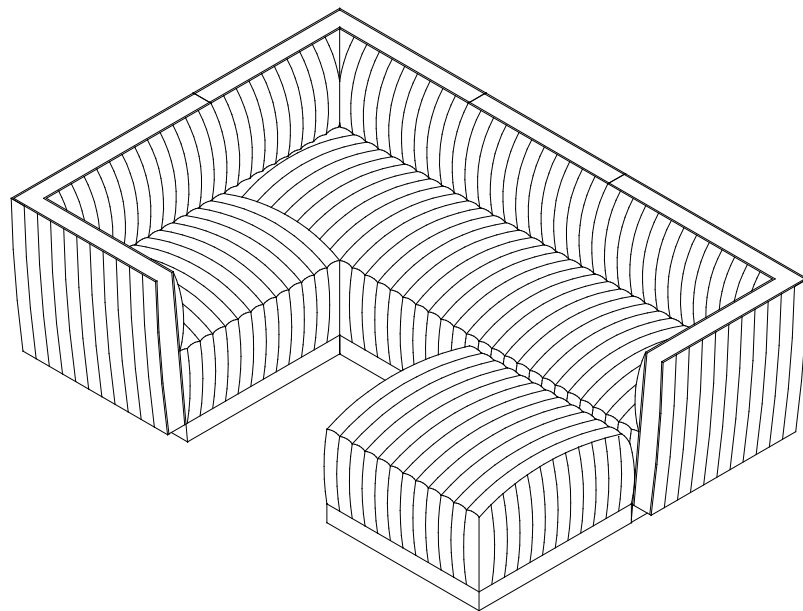
♥ CARING FOR YOUR ITEM

Indoor use only.

Not contract grade.

Clean using a non-abrasive cloth and a mild cleaner.

Never use harsh chemicals, as they could damage the finish or integrity of the item.



CONNECT WITH US!   

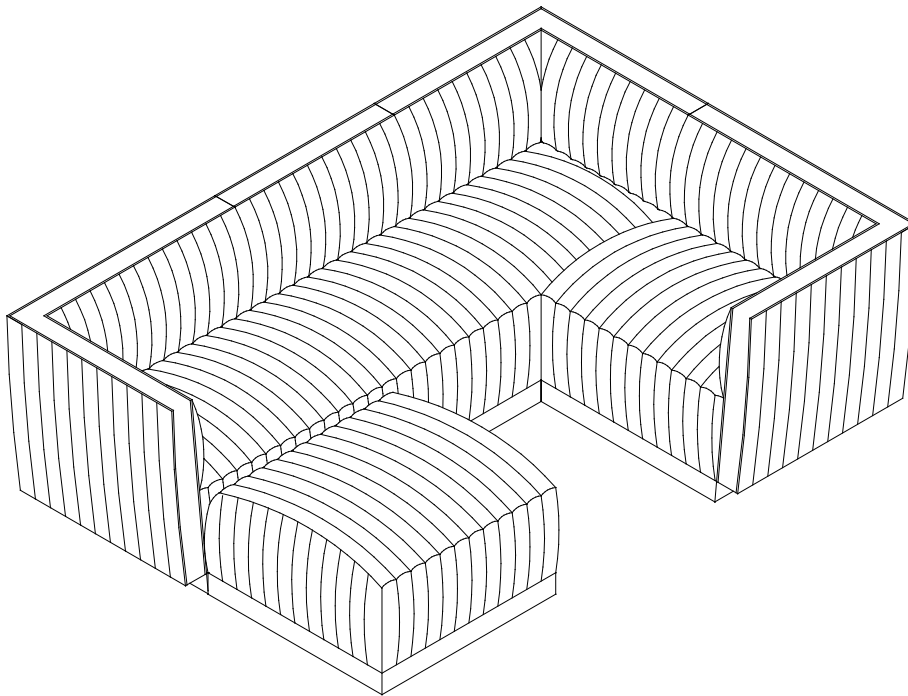
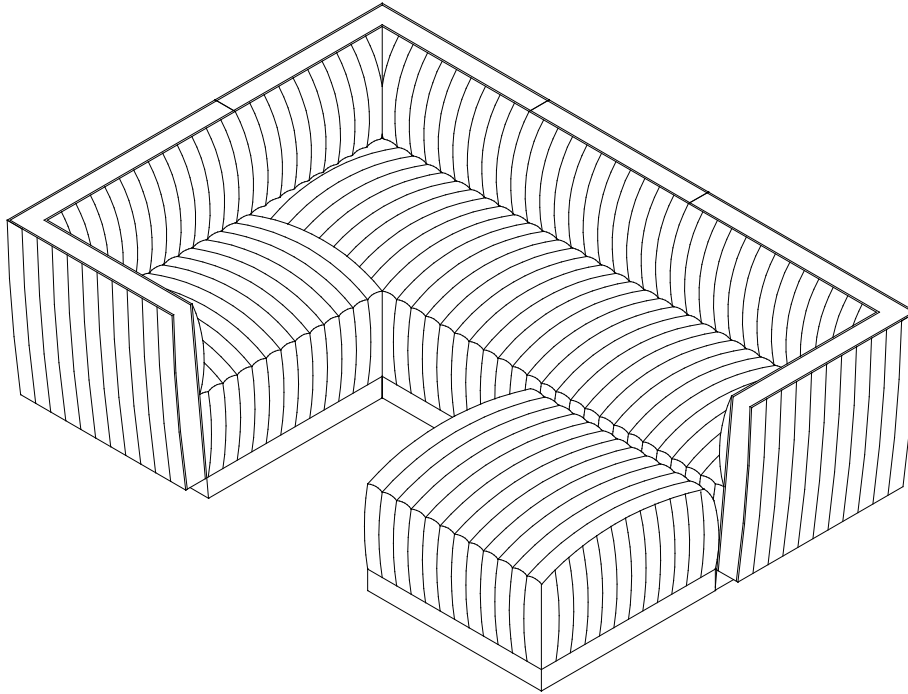
Tag us [@modway_furniture](#) and [#modway](#) for a chance to be featured.

ASSEMBLY INSTRUCTIONS

EEl-5490, 5491, 5492, 5493, 5494, 5495, 5496, 5497, 5498

5499, 5500, 5501, 5502, 5503, 5504, 5505, 5506, 5507

V1.06.22.21



Questions? Contact us!

609.256.9000 • cs@modway.com

www.modway.com

***modway**

Let's get started!

*modway



Read through all of the instructions before starting



Care instructions are listed in the last step of this manual

Assemble your item on a flat, carpeted area, with plenty of space to work. This will prevent damage and scratches to your floors or the item while you're assembling the product.

Keep all components and packaging out of reach of children or animals to avoid risk of choking or suffocation.



Approx. 30 minutes assembly time



Make sure you have all parts and components before discarding any packing materials

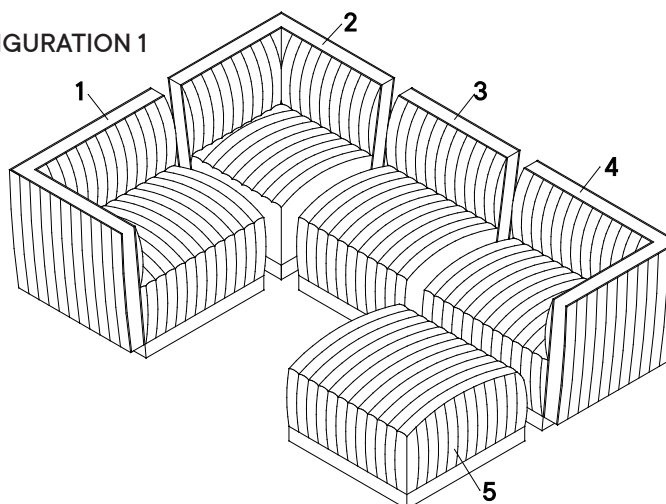


2 people recommended for assembly

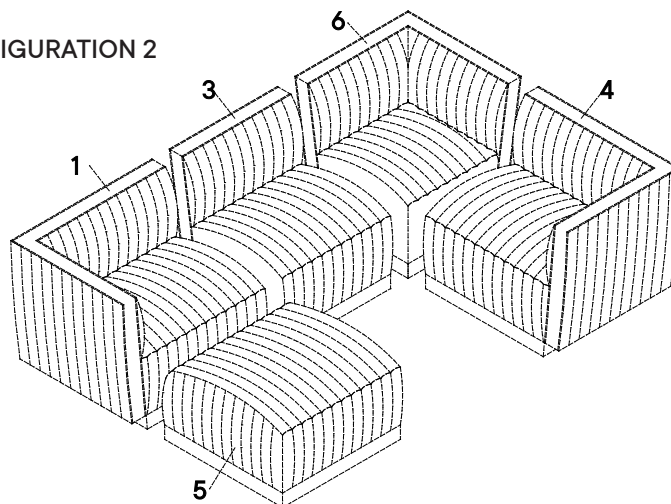
Furniture components:

1	Left Arm Chair	x1
2	Left Corner	x1
3	Armless Chair	x1
4	Right Arm Chair	x1
5	Ottoman	x1

CONFIGURATION 1



CONFIGURATION 2



Alternate component:

6	Right Corner	x1
---	--------------	----

Wait!

Missing parts or hardware? Need assistance?

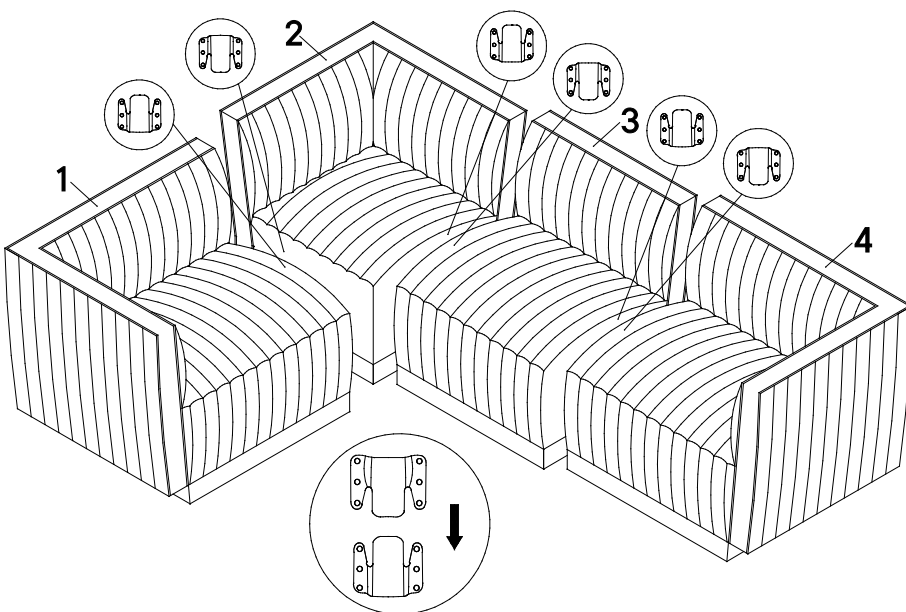
Contact us before returning your item. We're here to help!
609.256.9000 • cs@modway.com

NOTE: These steps are for the assembly of Configuration 1.
For Configuration 2, skip ahead to the next set of steps.

Step 1

COMPONENTS

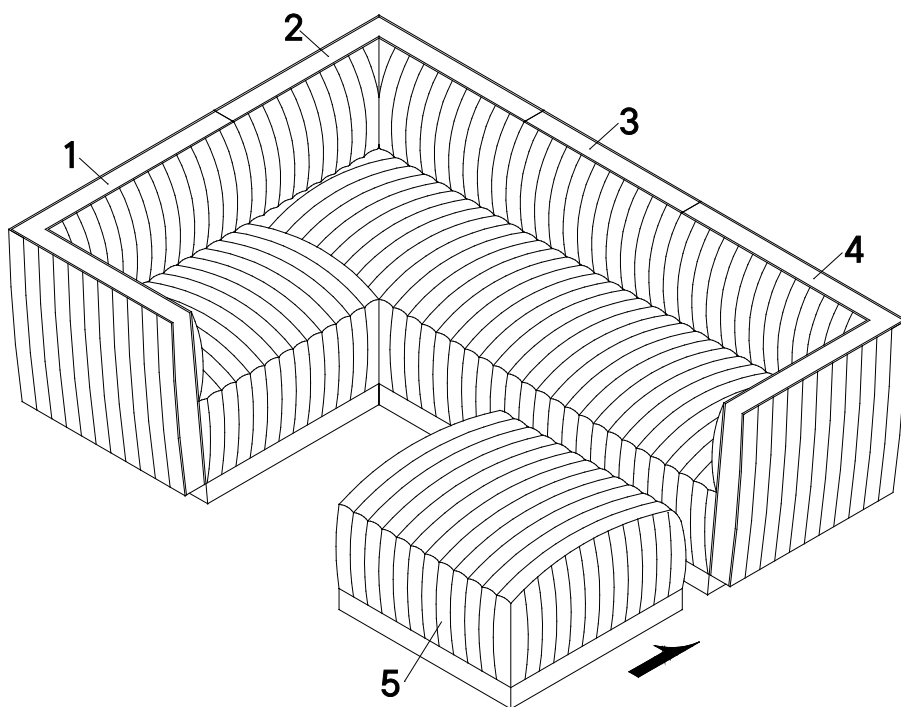
- | | | |
|---|-----------------|----|
| 1 | Left Arm Chair | x1 |
| 2 | Left Corner | x1 |
| 3 | Armless Chair | x1 |
| 4 | Right Arm Chair | x1 |



Step 2

COMPONENTS

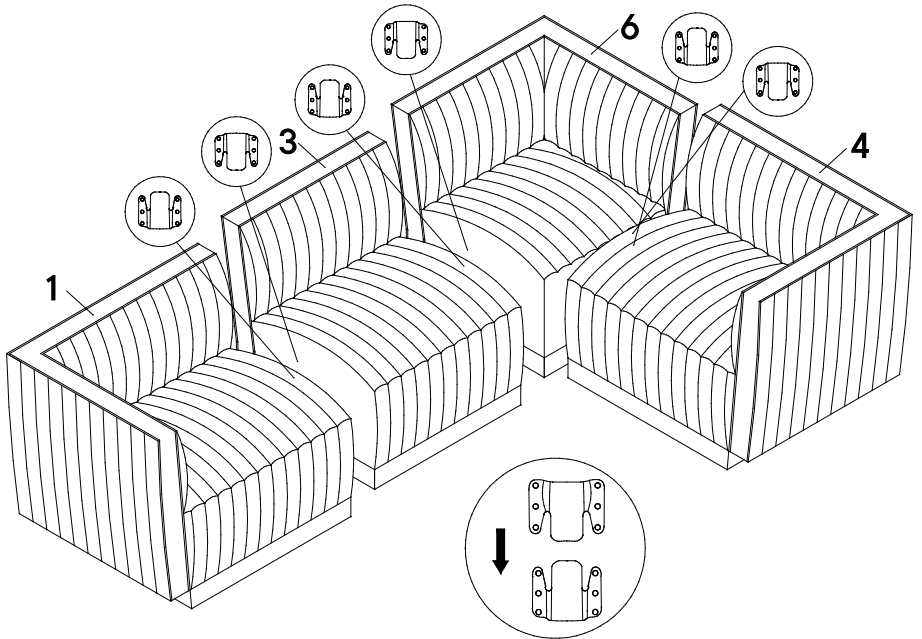
- | | | |
|---|---------|----|
| 5 | Ottoman | x1 |
|---|---------|----|



Step 1

COMPONENTS

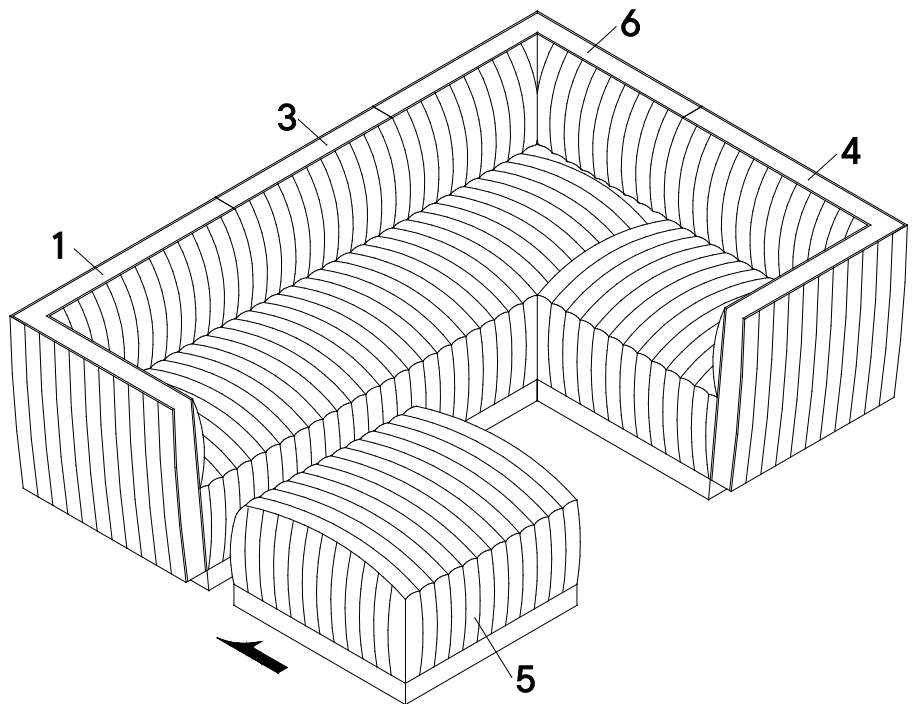
- 1 Left Arm Chair x1
- 3 Armless Chair x1
- 6 Right Corner x1
- 4 Right Arm Chair x1



Step 2

COMPONENTS

- 5 Ottoman x1



Great job!

Your sectional sofa assembly is complete and ready to enjoy.

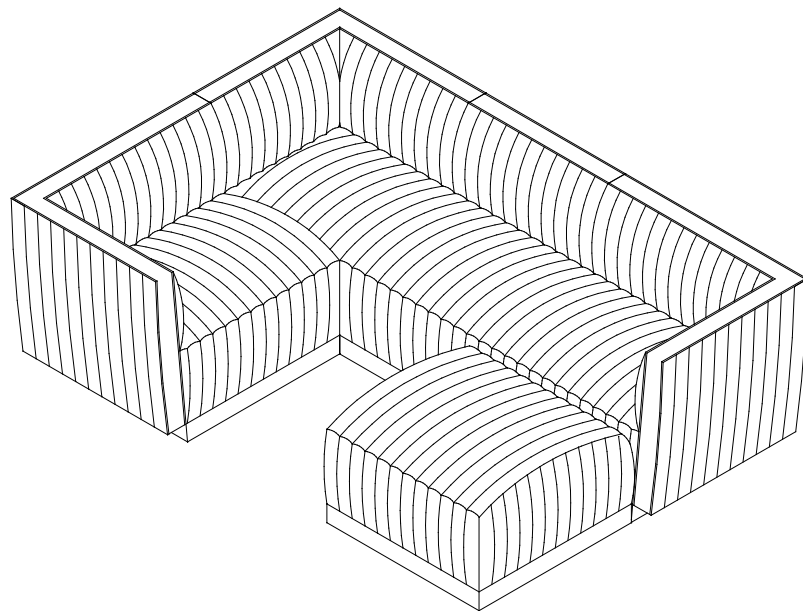
♥ CARING FOR YOUR ITEM

Indoor use only.

Not contract grade.

Clean using a non-abrasive cloth and a mild cleaner.

Never use harsh chemicals, as they could damage the finish or integrity of the item.



CONNECT WITH US!   

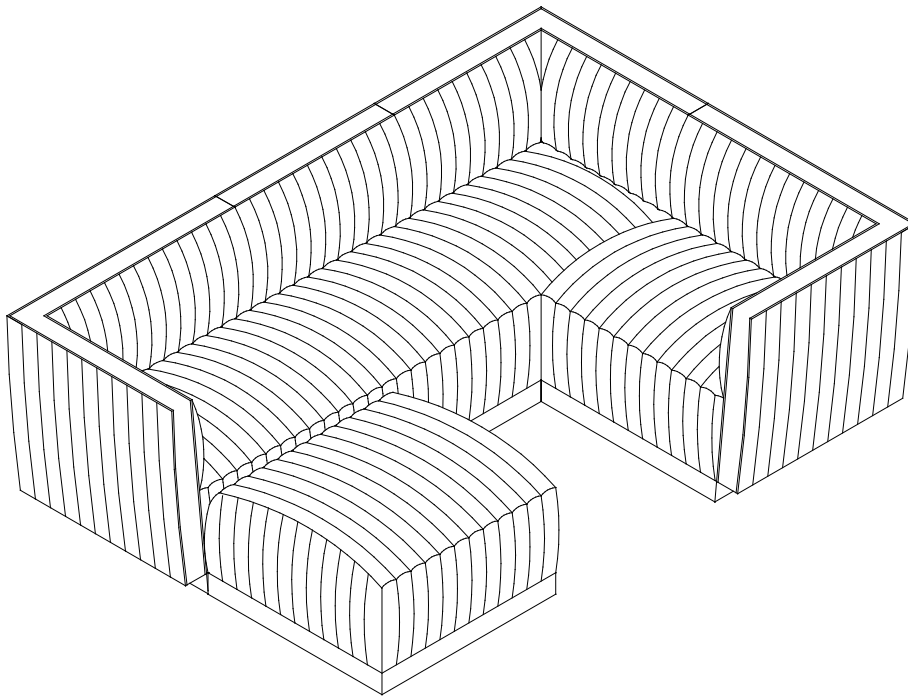
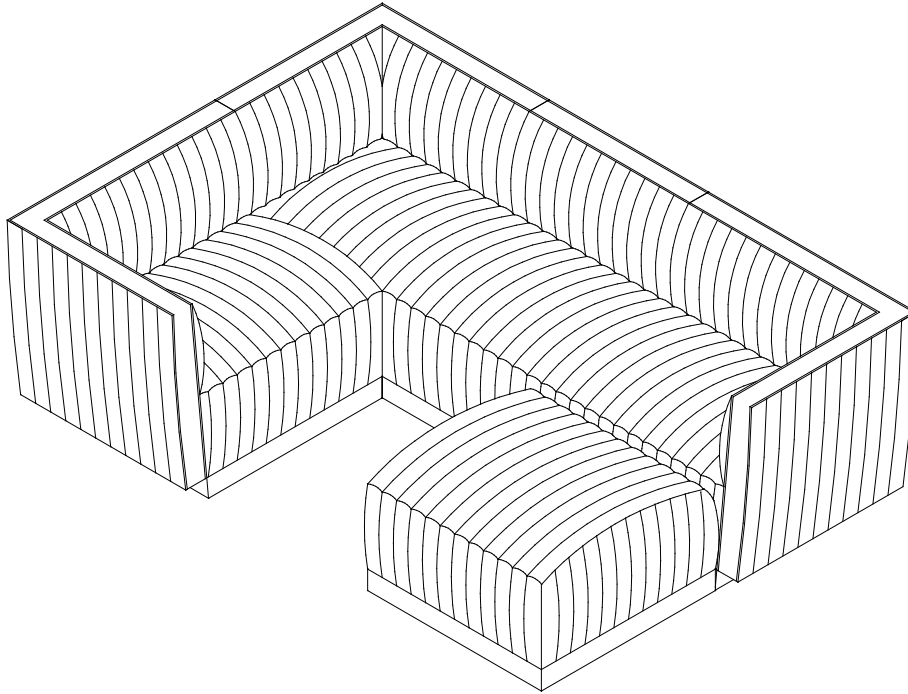
Tag us [@modway_furniture](#) and [#modway](#) for a chance to be featured.

ASSEMBLY INSTRUCTIONS

EEl-5490, 5491, 5492, 5493, 5494, 5495, 5496, 5497, 5498

5499, 5500, 5501, 5502, 5503, 5504, 5505, 5506, 5507

V1.06.22.21



Questions? Contact us!

609.256.9000 • cs@modway.com

www.modway.com

***modway**

Let's get started!

*modway



Read through all of the instructions before starting



Care instructions are listed in the last step of this manual



Approx. 30 minutes assembly time



Make sure you have all parts and components before discarding any packing materials



2 people recommended for assembly

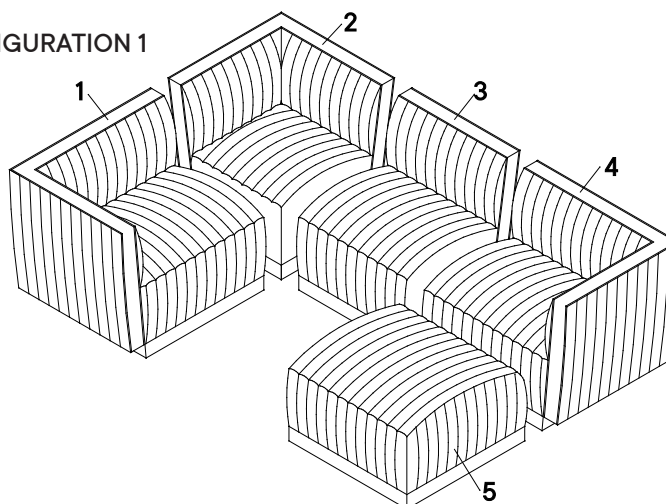
Assemble your item on a flat, carpeted area, with plenty of space to work. This will prevent damage and scratches to your floors or the item while you're assembling the product.

Keep all components and packaging out of reach of children or animals to avoid risk of choking or suffocation.

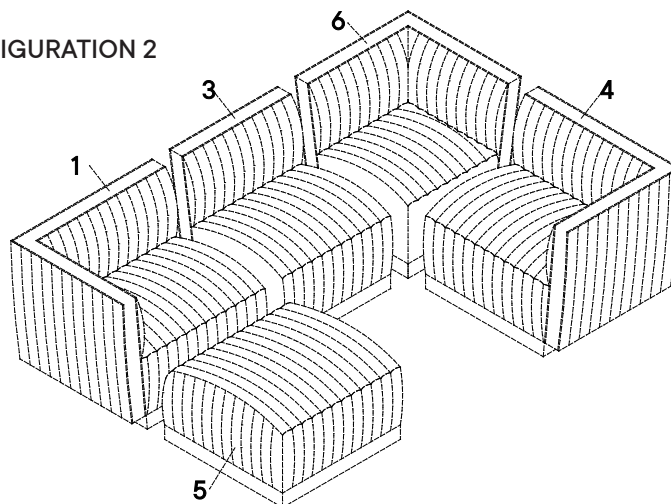
Furniture components:

1	Left Arm Chair	x1
2	Left Corner	x1
3	Armless Chair	x1
4	Right Arm Chair	x1
5	Ottoman	x1

CONFIGURATION 1



CONFIGURATION 2



Alternate component:

6	Right Corner	x1
---	--------------	----

Wait!

Missing parts or hardware? Need assistance?

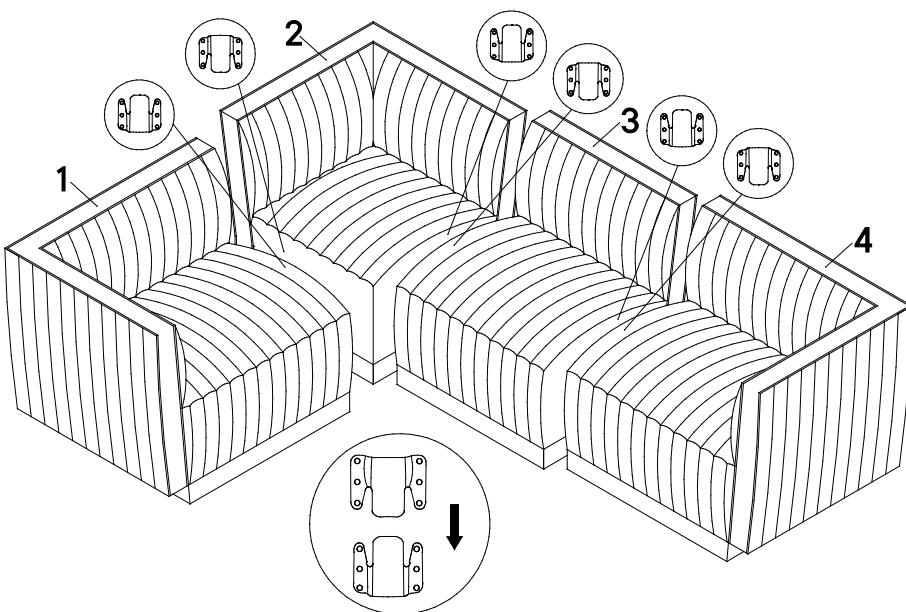
Contact us before returning your item. We're here to help!
609.256.9000 • cs@modway.com

NOTE: These steps are for the assembly of Configuration 1.
For Configuration 2, skip ahead to the next set of steps.

Step 1

COMPONENTS

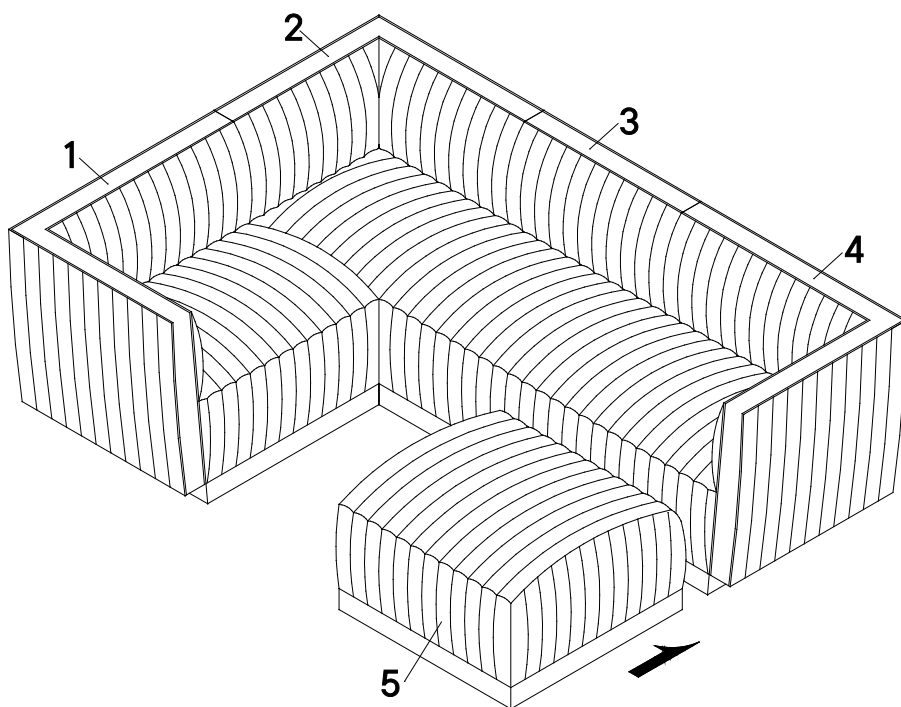
- | | | |
|---|-----------------|----|
| 1 | Left Arm Chair | x1 |
| 2 | Left Corner | x1 |
| 3 | Armless Chair | x1 |
| 4 | Right Arm Chair | x1 |



Step 2

COMPONENTS

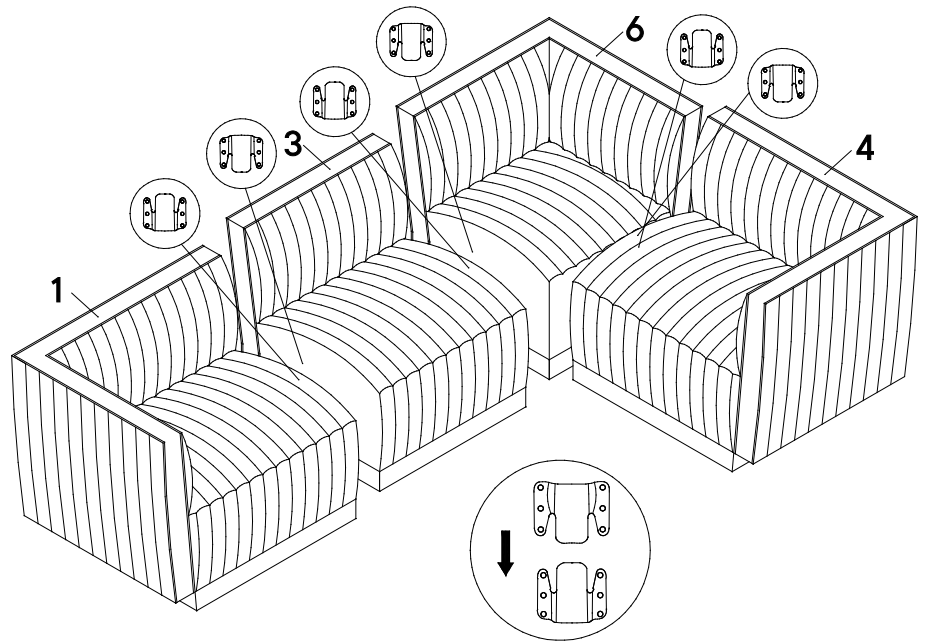
- | | | |
|---|---------|----|
| 5 | Ottoman | x1 |
|---|---------|----|



Step 1

COMPONENTS

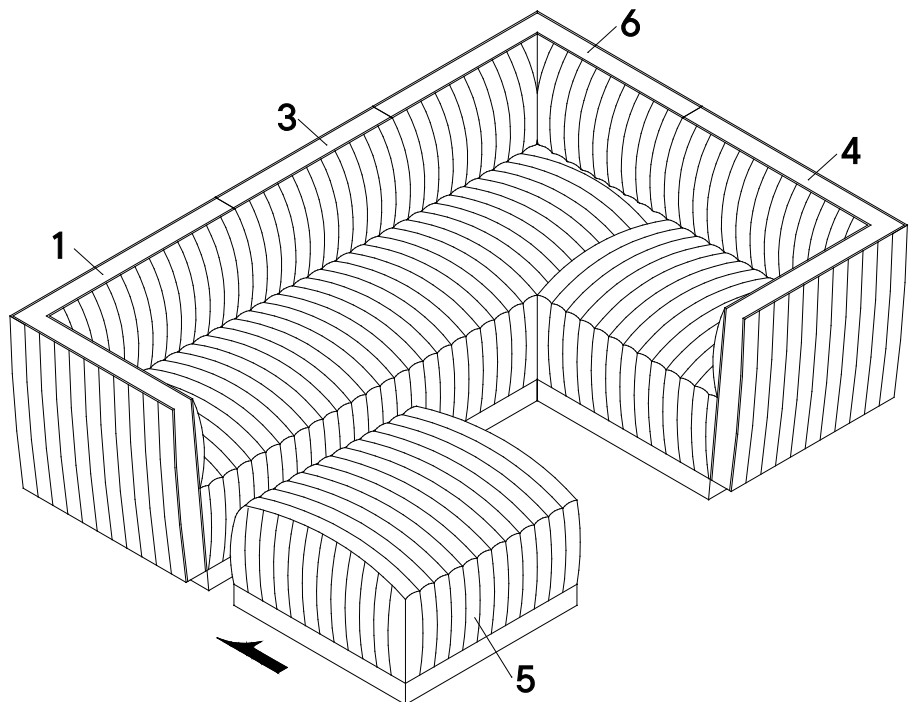
- 1 Left Arm Chair x1
- 3 Armless Chair x1
- 6 Right Corner x1
- 4 Right Arm Chair x1



Step 2

COMPONENTS

- 5 Ottoman x1



Great job!

Your sectional sofa assembly is complete and ready to enjoy.

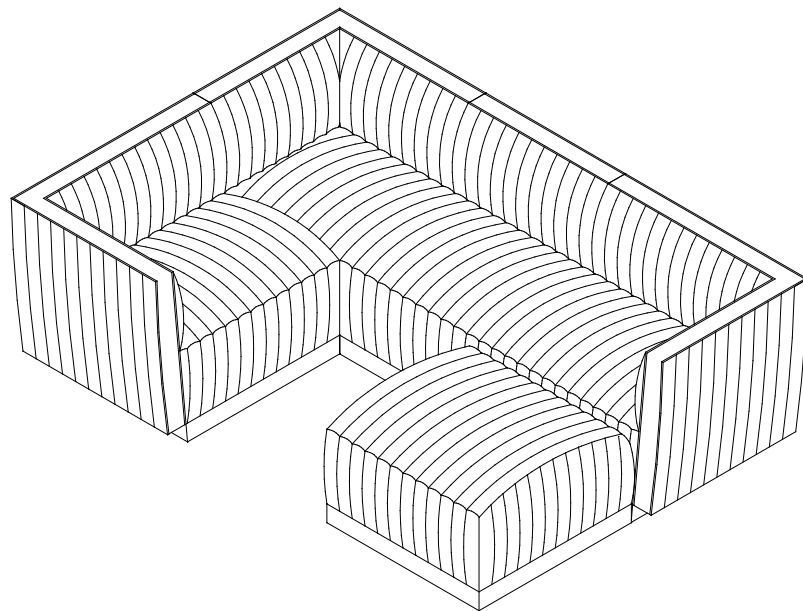
♥ CARING FOR YOUR ITEM

Indoor use only.

Not contract grade.

Clean using a non-abrasive cloth and a mild cleaner.

Never use harsh chemicals, as they could damage the finish or integrity of the item.



CONNECT WITH US!   

Tag us [@modway_furniture](#) and [#modway](#) for a chance to be featured.