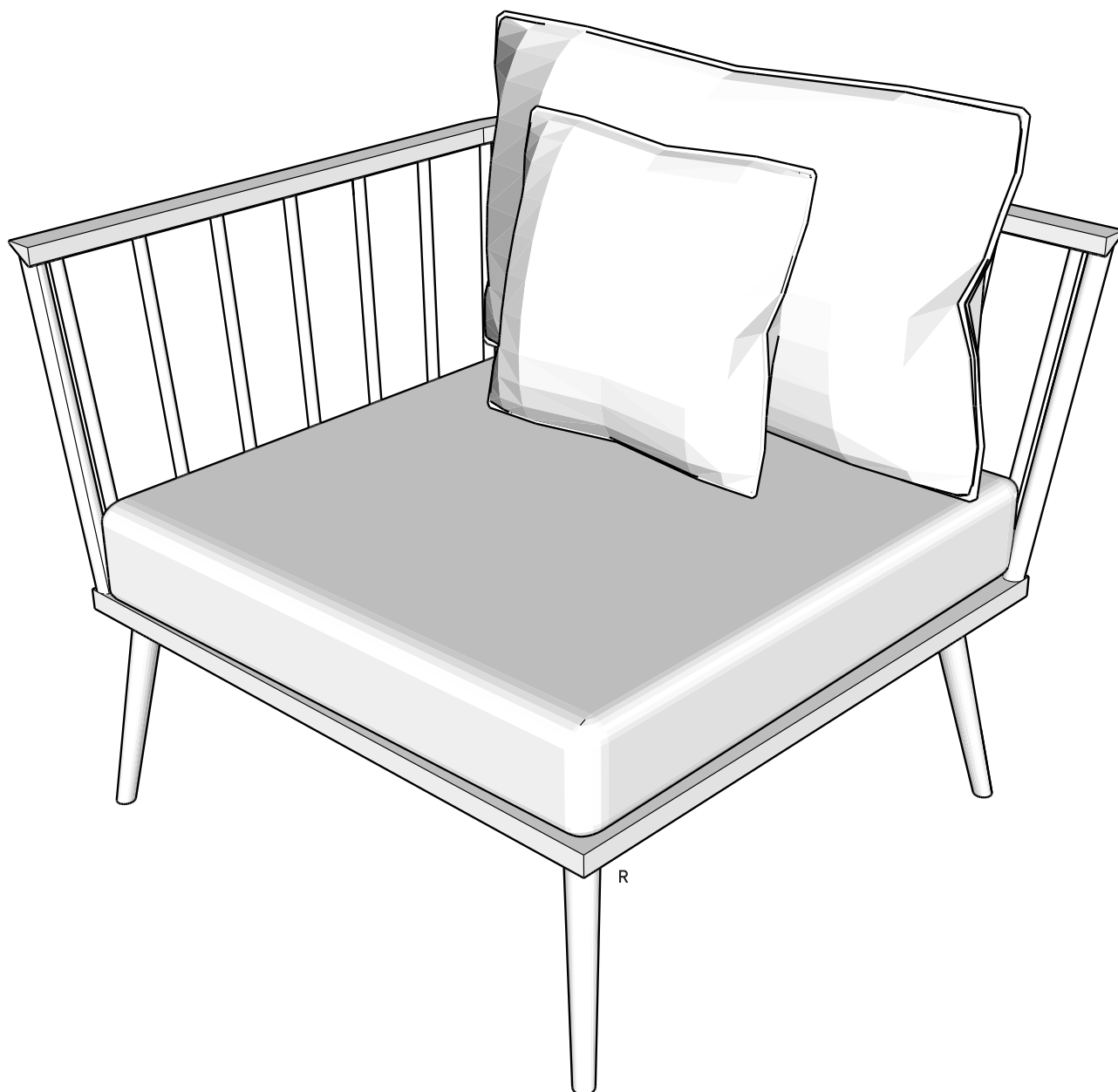


ASSEMBLY INSTRUCTIONS

EEI-5565

V1.08.10.21



Questions? Contact us!

609.256.9000 • cs@modway.com
www.modway.com

***modway**



Read through all of the instructions before starting



Care instructions are listed in the last step of this manual



Approx. 30 minutes assembly time



Make sure you have all parts and components before discarding any packing materials



2 people recommended for assembly

Only use hand tools to assemble this item. Do not use power tools. Do not tighten bolts or screws completely until all hardware is lined up and inserted into the holes.

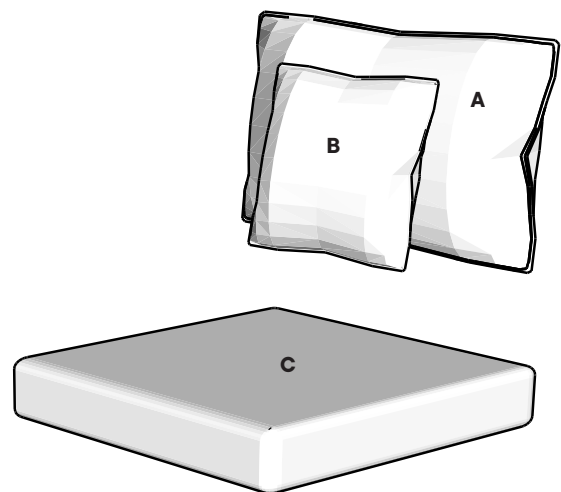
Do not over-tighten screws and bolts to avoid stripping the hardware or cracking the item.

Assemble your item on a flat area, with plenty of space to work. This will prevent damage and scratches to your floors or the item while you're assembling the product.

Keep all components and packaging out of reach of children or animals to avoid risk of choking or suffocation.

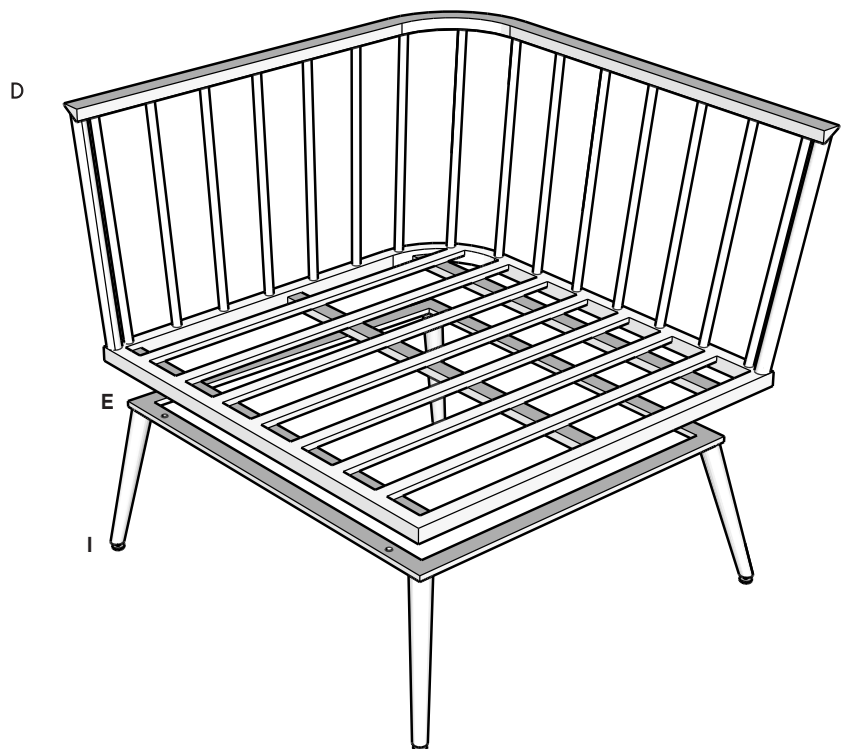
Furniture components:

A	Backrest Cushion	x1
B	Square Pillow	x1
C	Seat Cushion	x1
D	Chair Frame	x1
E	Chair Leg	x1



Provided hardware:

G		Bolt M6 x 35mm + Washer	x4
H		Allen Key 4mm	x1
I		Adjustable Leveler - Pre-assembled	x4
J		U- Buckles	x2



Wait!

Missing parts or hardware? Need assistance?
Contact us before returning your item. We're here to help!
609.256.9000 • cs@modway.com

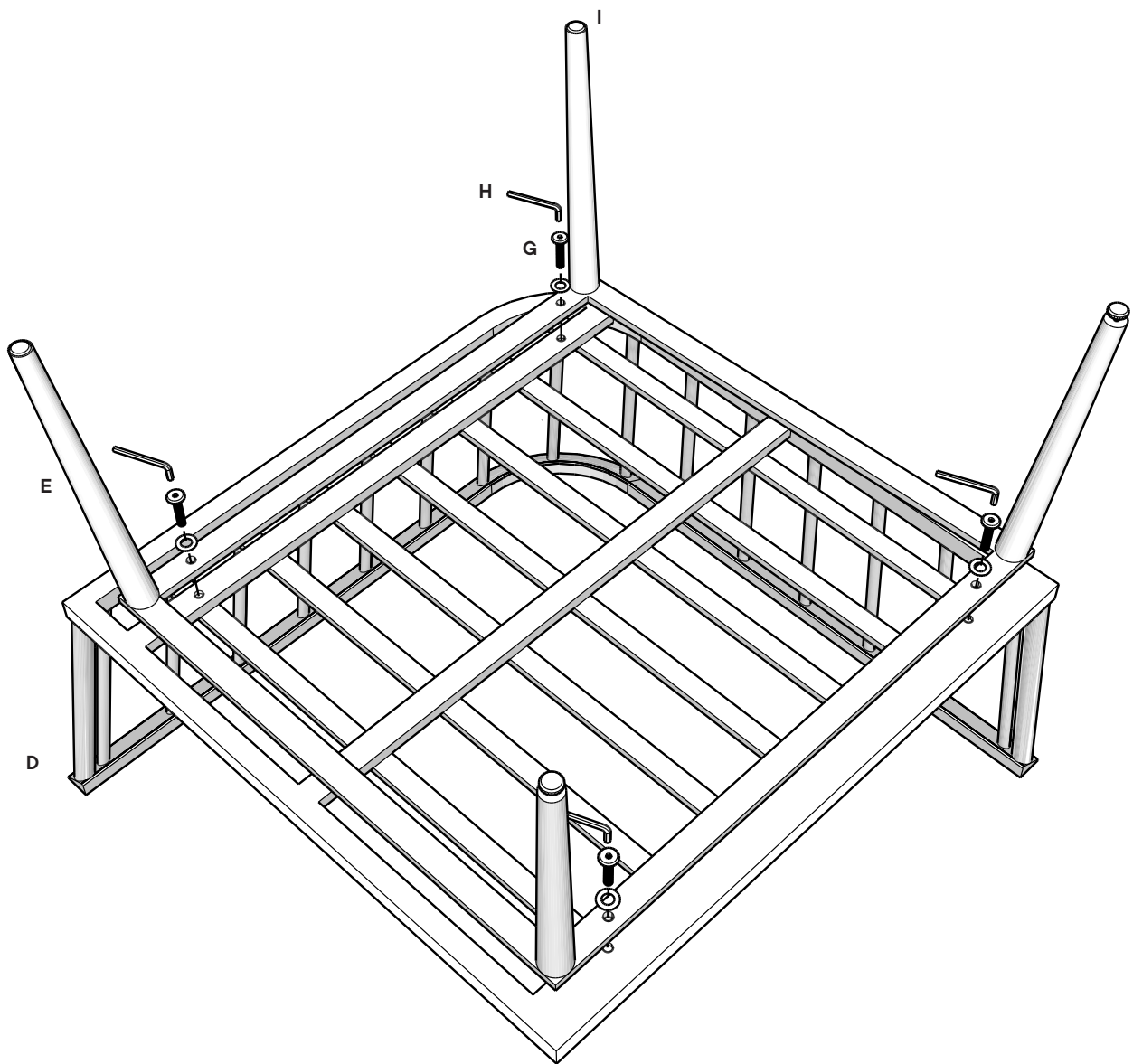
Step 1

HARDWARE

- G** Bolt M6 x 35mm + Washer x4
- H** Allen Key x1

COMPONENTS

- D** Chair Frame x1
- E** Chair Leg x1

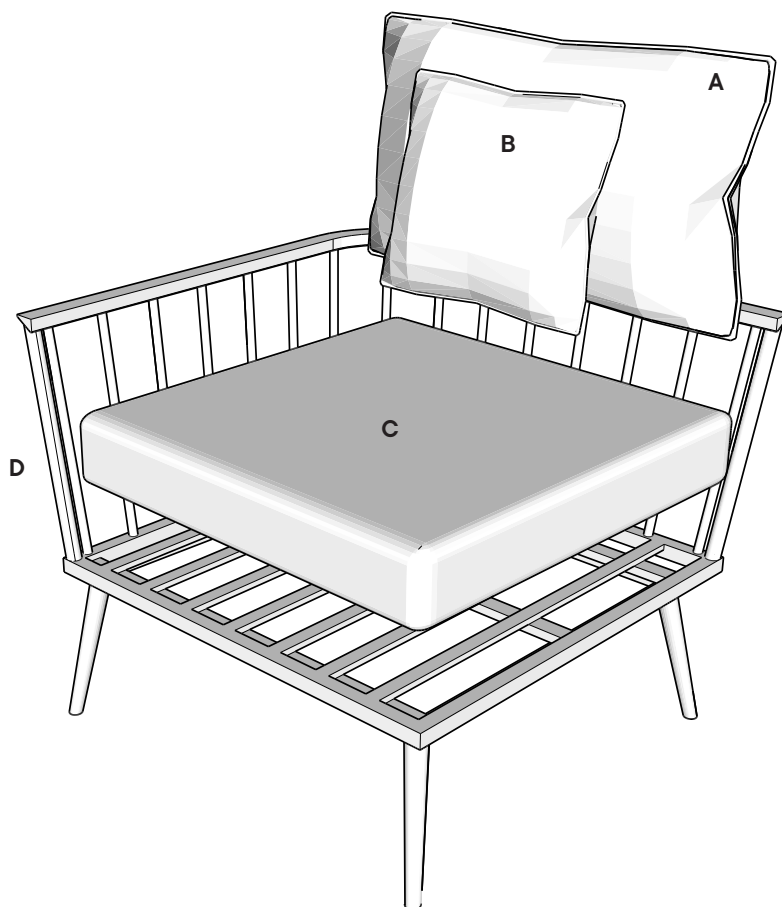


FRONT LEG

Step 2

COMPONENTS

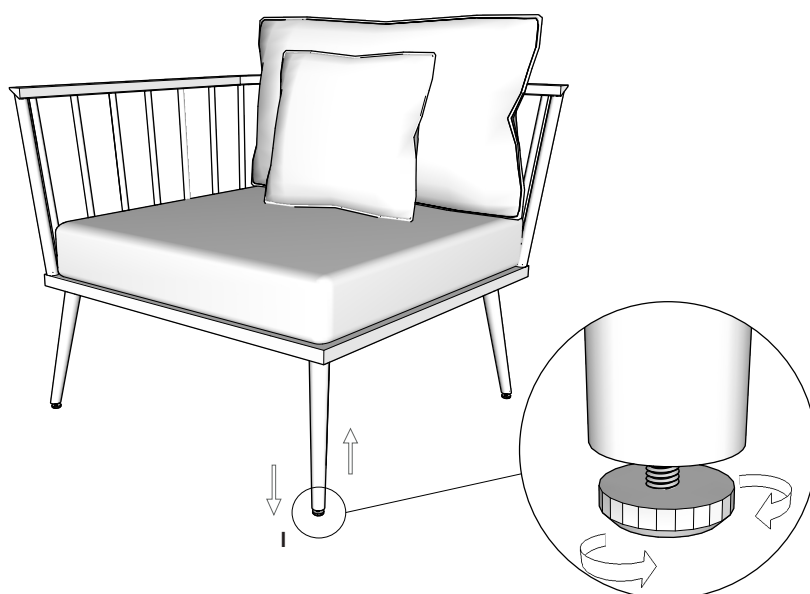
A	Backrest Cushion	x1
B	Square Pillow	x1
C	Seat Cushion	x1
D	Chair Frame	x1



Step 3

HARDWARE

I	Adjustable Leveler	x4
----------	--------------------	----



Step 4 To attach with other unit

HARDWARE

J U-Buckles x2



Great job!

Chair assembly is complete.

♥ CARING FOR YOUR ITEM

Not contract grade.

Clean using a non-abrasive cloth and a mild cleaner.

Never use harsh chemicals, as they could damage the finish or integrity of the item.



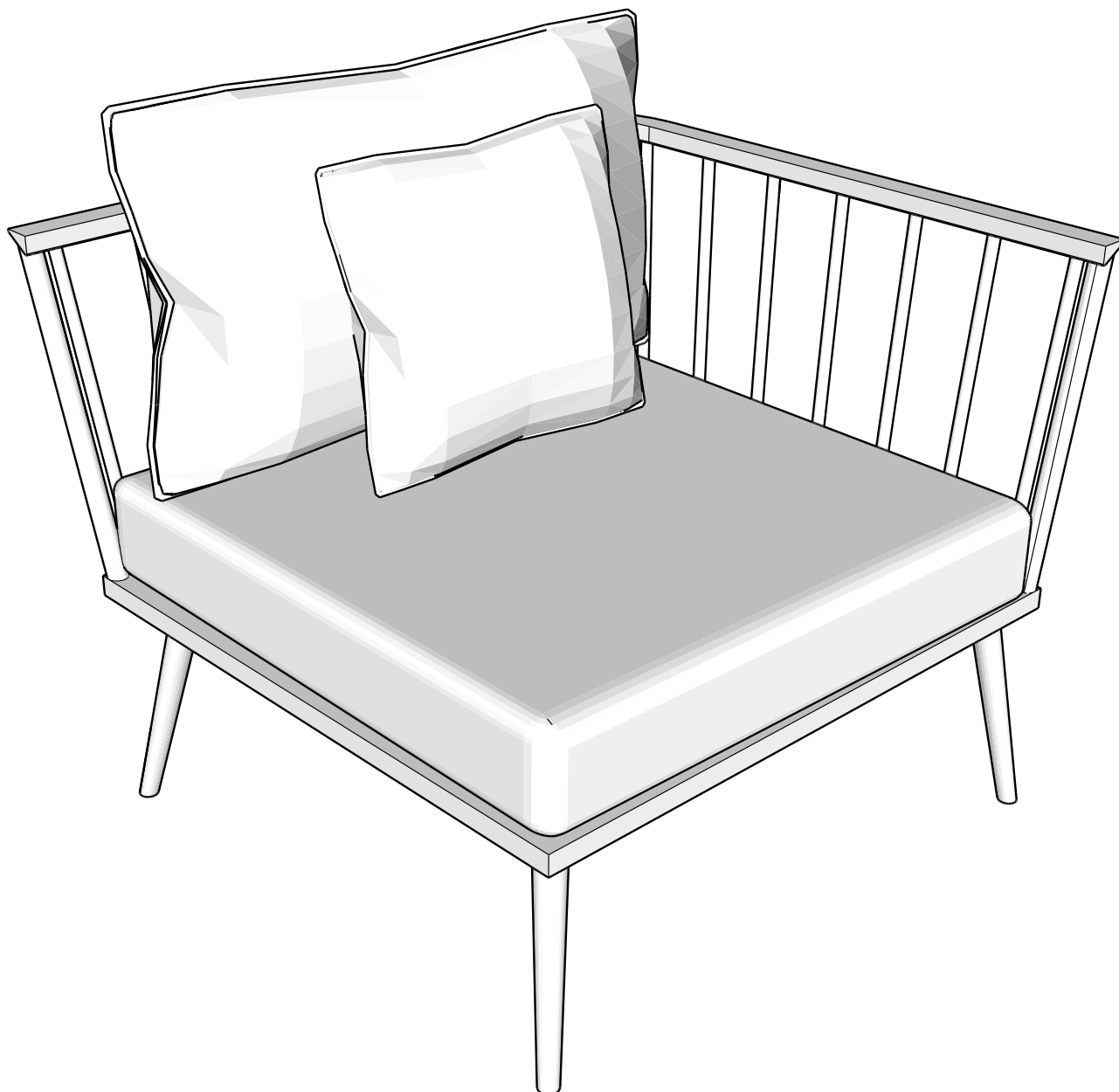
CONNECT WITH US!   

Tag us @modway_furniture and #modway for a chance to be featured.

ASSEMBLY INSTRUCTIONS

EEI-5566

V1.08.10.21



Questions? Contact us!

609.256.9000 • cs@modway.com
www.modway.com

*modway



Read through all of the instructions before starting



Care instructions are listed in the last step of this manual



Approx. 30 minutes assembly time



Make sure you have all parts and components before discarding any packing materials



2 people recommended for assembly

Only use hand tools to assemble this item. Do not use power tools. Do not tighten bolts or screws completely until all hardware is lined up and inserted into the holes.

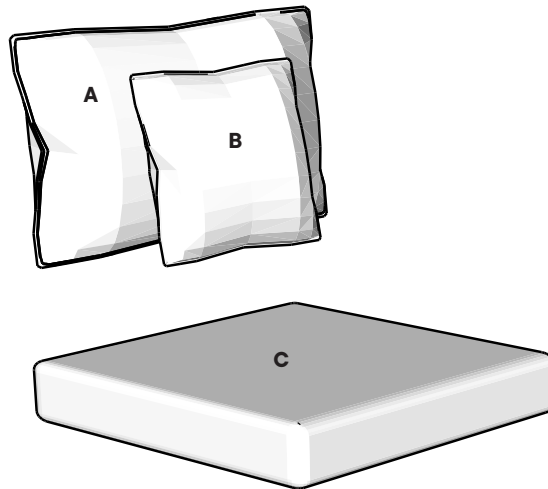
Do not over-tighten screws and bolts to avoid stripping the hardware or cracking the item.

Assemble your item on a flat area, with plenty of space to work. This will prevent damage and scratches to your floors or the item while you're assembling the product.

Keep all components and packaging out of reach of children or animals to avoid risk of choking or suffocation.

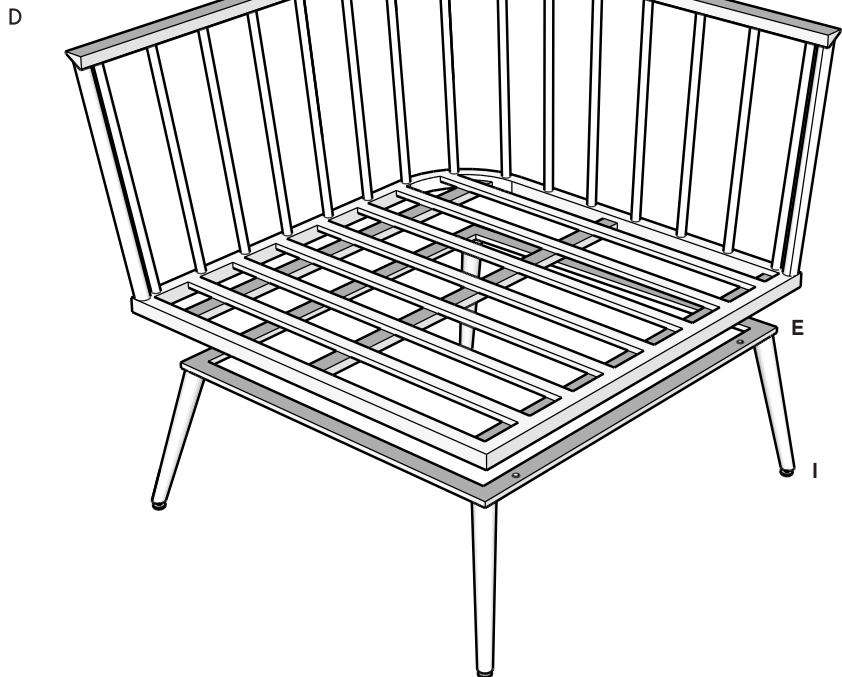
Furniture components:

A	Backrest Cushion	x1
B	Square Pillow	x1
C	Seat Cushion	x1
D	Chair Frame	x1
E	Chair Leg	x1



Provided hardware:

G		Bolt M6 x 35mm + Washer	x4
H		Allen Key 4mm	x1
I		Adjustable Leveler - Pre-assembled	x4
J		U- Buckles	x2



Wait!

Missing parts or hardware? Need assistance?
Contact us before returning your item. We're here to help!
609.256.9000 • cs@modway.com

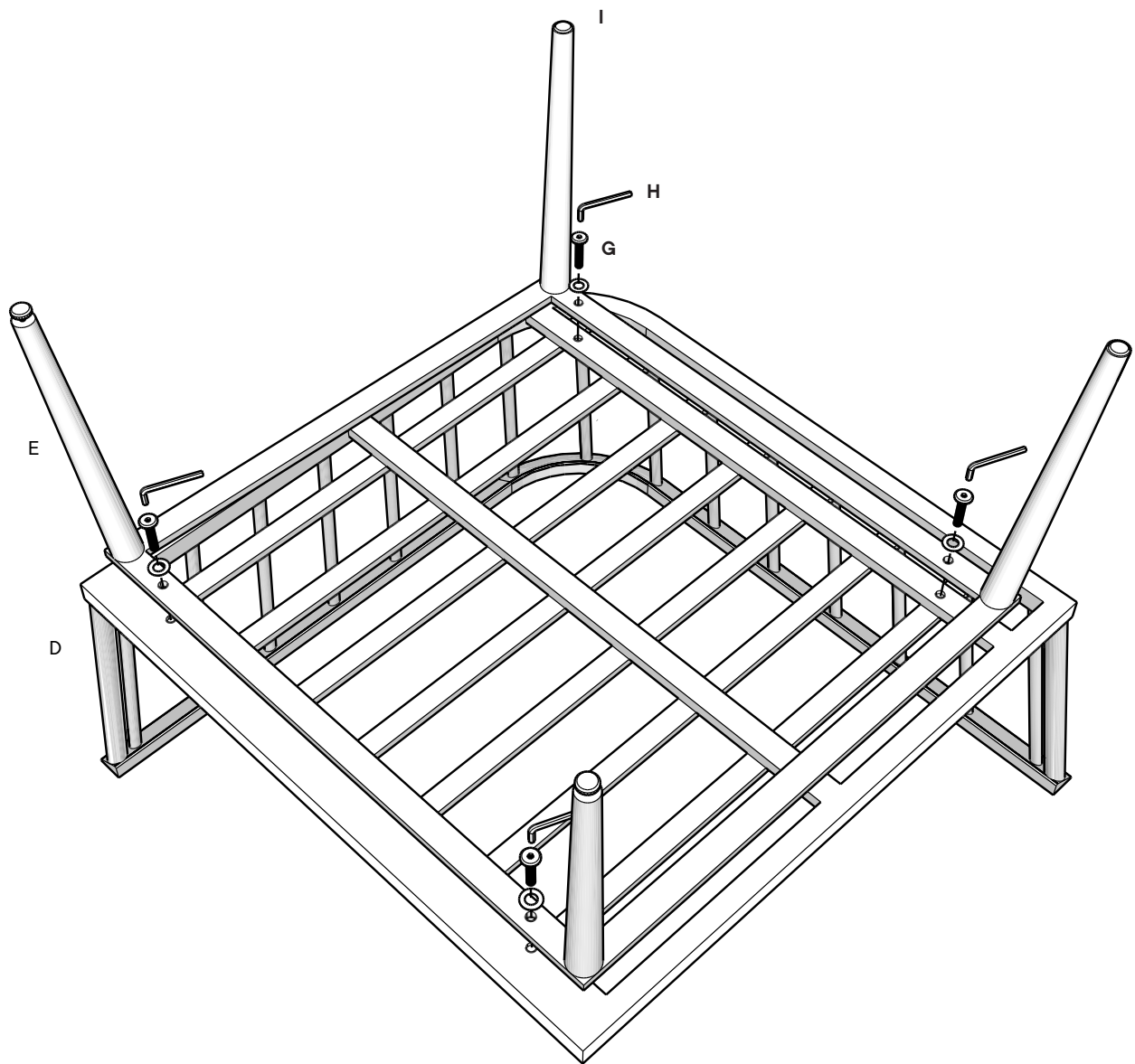
Step 1

HARDWARE

- G** Bolt M6 x 35mm + Washer x4
- H** Allen Key x1

COMPONENTS

- D** Chair Frame x1
- E** Chair Leg x1

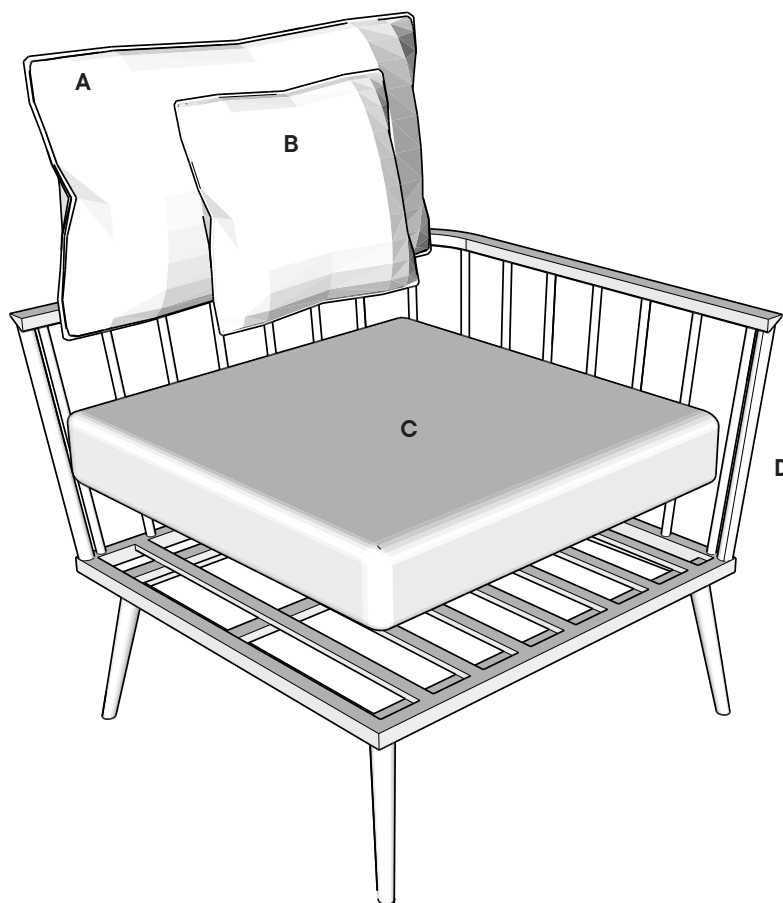


FRONT LEG

Step 2

COMPONENTS

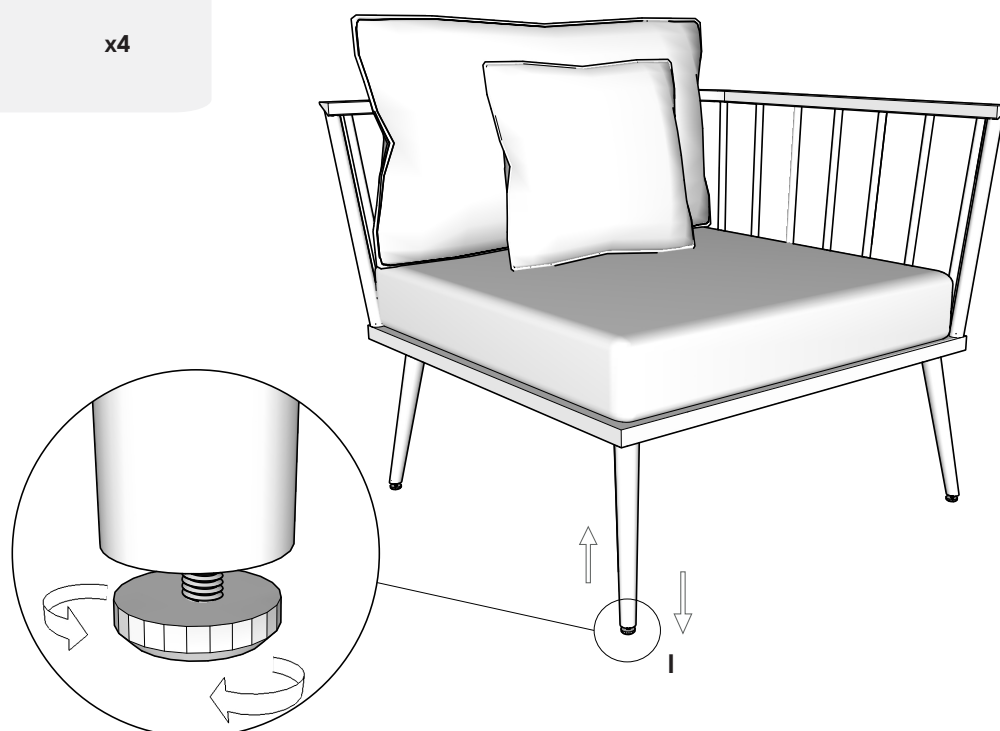
A	Backrest Cushion	x1
B	Square Pillow	x1
C	Seat Cushion	x1
D	Chair Frame	x1



Step 3

HARDWARE

I	Adjustable Leveler	x4
----------	--------------------	----



Step 4 To attach with other unit

HARDWARE

J U-Buckles x2



Great job!

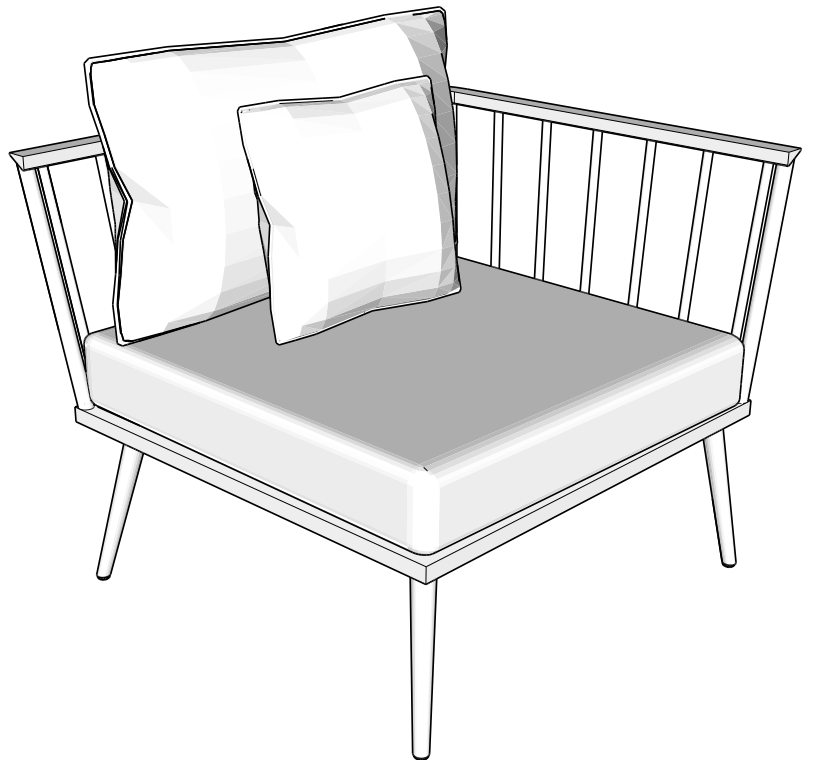
Chair assembly is complete.

♥ CARING FOR YOUR ITEM

Not contract grade.

Clean using a non-abrasive cloth and a mild cleaner.

Never use harsh chemicals, as they could damage the finish or integrity of the item.



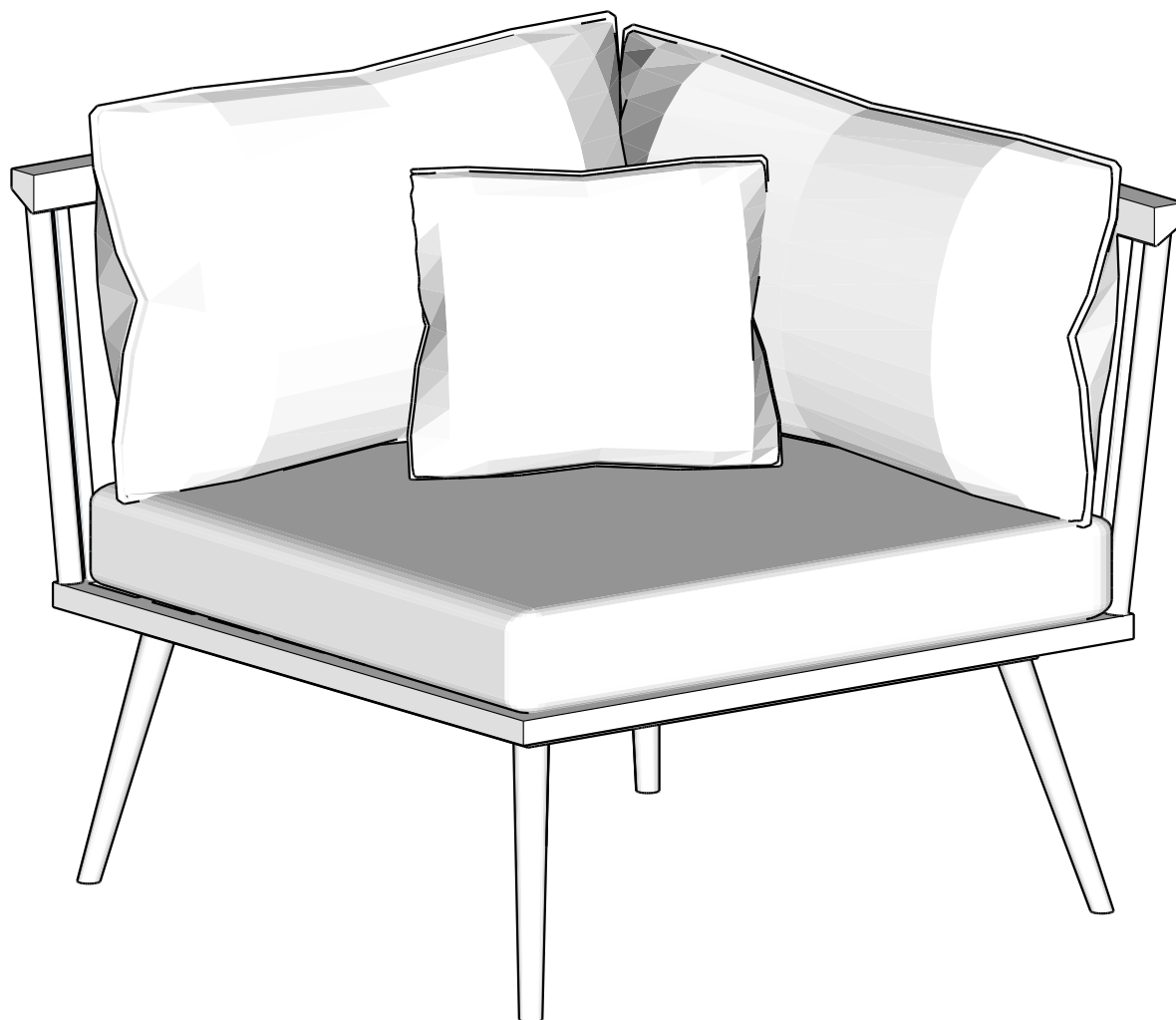
CONNECT WITH US!   

Tag us @modway_furniture and #modway for a chance to be featured.

ASSEMBLY INSTRUCTIONS

EEI-5567

V1.08.10.21



Questions? Contact us!

609.256.9000 • cs@modway.com
www.modway.com

*modway

Let's get started!

*modway



Read through all of the instructions before starting



Care instructions are listed in the last step of this manual



Approx. 30 minutes assembly time



Make sure you have all parts and components before discarding any packing materials



2 people recommended for assembly

Only use hand tools to assemble this item. Do not use power tools. Do not tighten bolts or screws completely until all hardware is lined up and inserted into the holes.

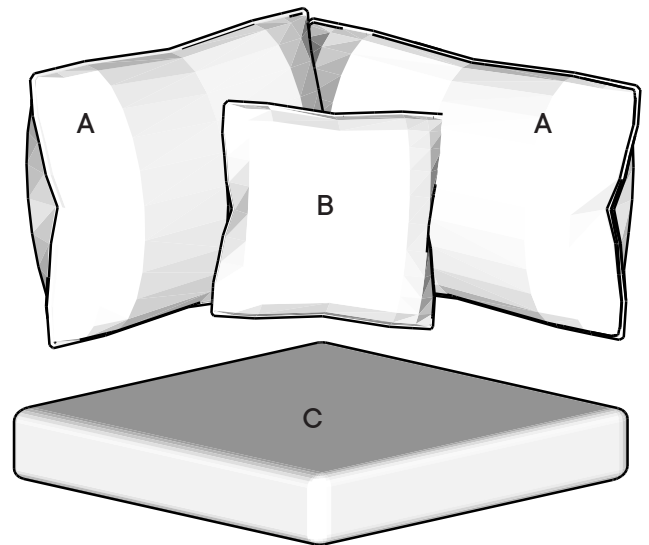
Do not over-tighten screws and bolts to avoid stripping the hardware or cracking the item.

Assemble your item on a flat, carpeted area, with plenty of space to work. This will prevent damage and scratches to your floors or the item while you're assembling the product.

Keep all components and packaging out of reach of children or animals to avoid risk of choking or suffocation.

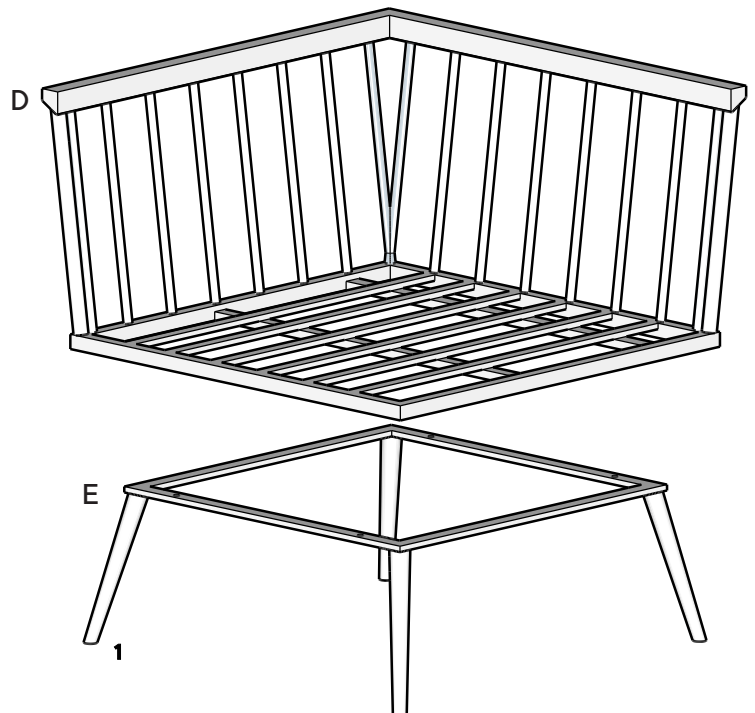
Furniture components:

A	Backrest Cushion	x2
B	Square Pillow	x1
C	Seat Cushion	x1
D	Chair Frame	x1
E	Chair Leg	x1



Provided hardware:

G		Bolt M6 x 35mm + Washer	x4
H		Allen Key 4mm	x1
I		Adjustable Leveler - Pre-assembled	x4
J		U- Buckles	x2



Wait!

Missing parts or hardware? Need assistance?
Contact us before returning your item. We're here to help!
609.256.9000 • cs@modway.com

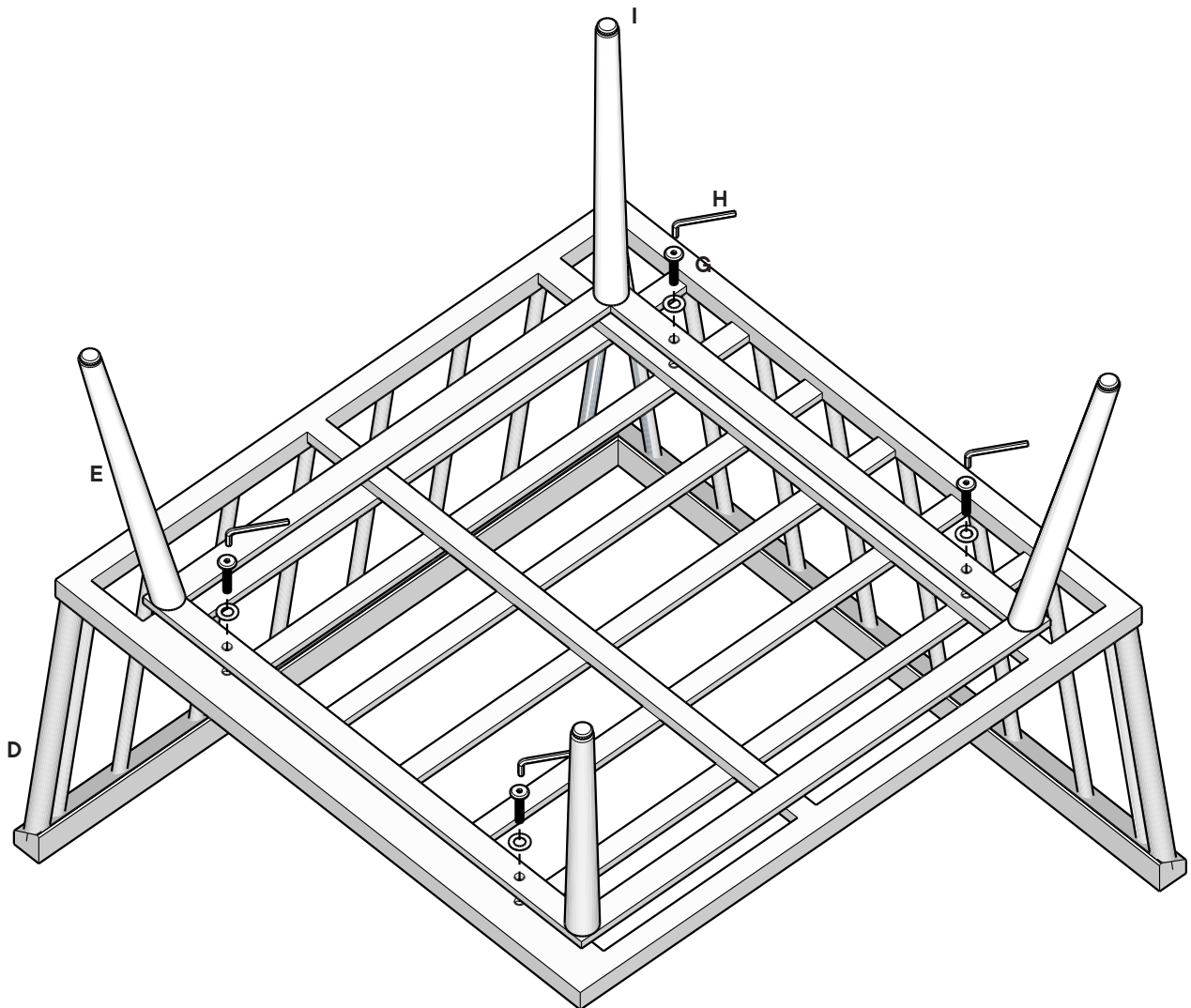
Step 1

HARDWARE

- G** Bolt M6 x 35mm + Washer x4
- H** Allen Key x1

COMPONENTS

- D** Chair Frame x1
- E** Chair Leg x1

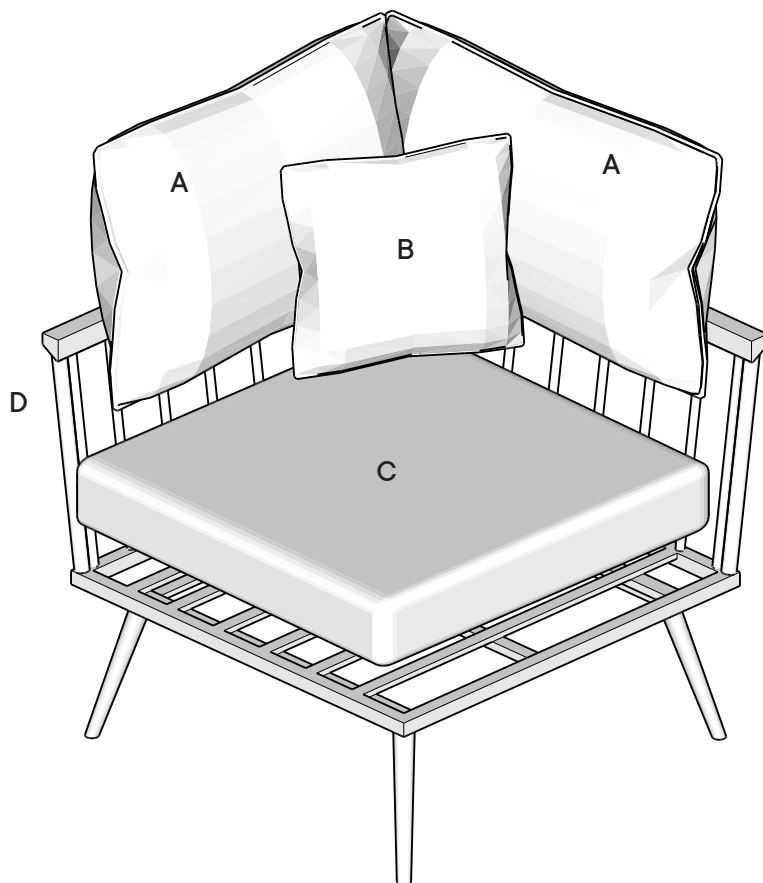


FRONT LEG

Step 2

COMPONENTS

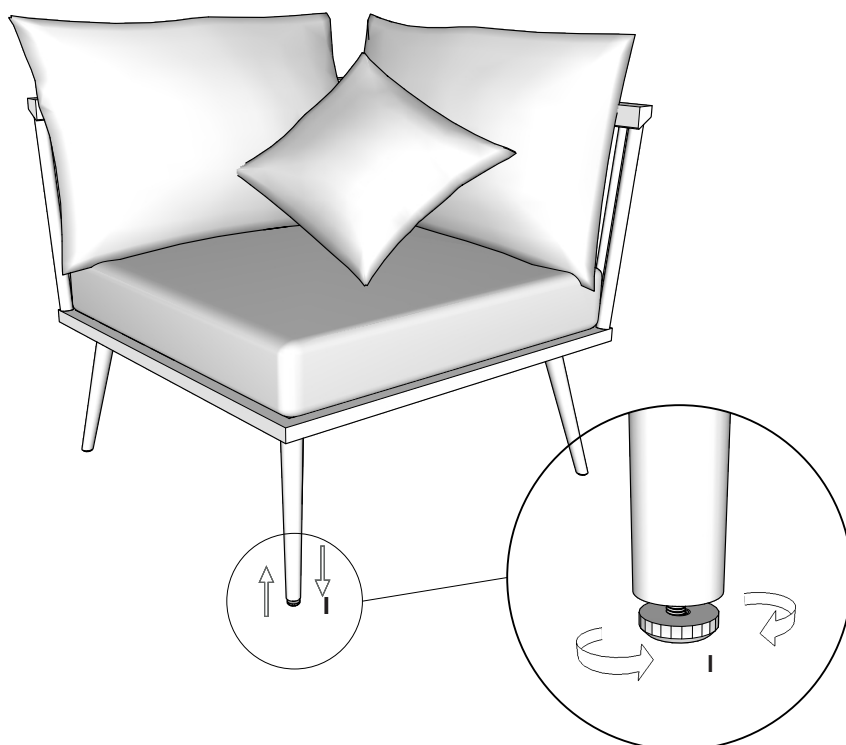
A	Backrest Cushion	x2
B	Square Pillow	x1
C	Seat Cushion	x1
D	Chair Frame	x1



Step 3

HARDWARE

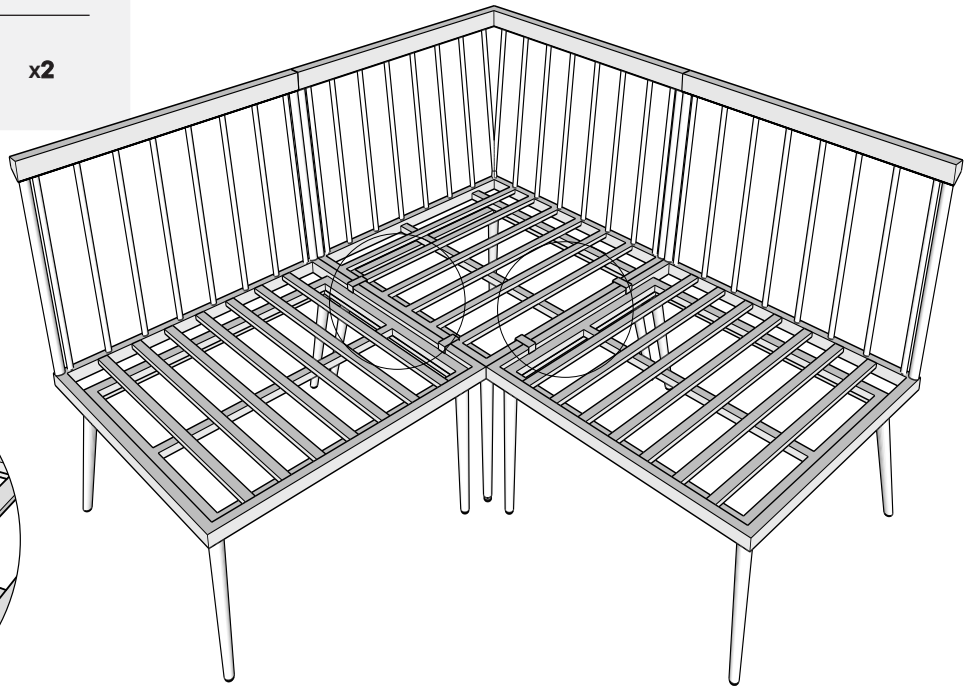
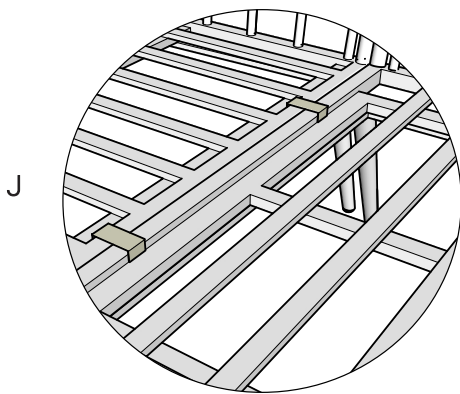
I	Adjustable Leveler	x4
----------	--------------------	----



Step 4 To attach with other unit

HARDWARE

J U-Buckles **x2**



Great job!

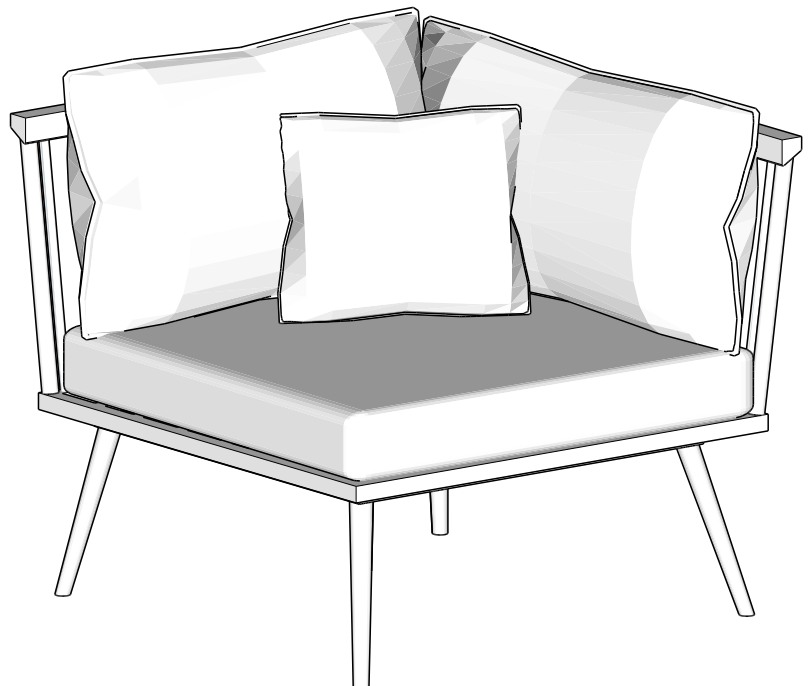
Chair assembly is complete.

♥ CARING FOR YOUR ITEM

Not contract grade.

Clean using a non-abrasive cloth and a mild cleaner.

Never use harsh chemicals, as they could damage the finish or integrity of the item.



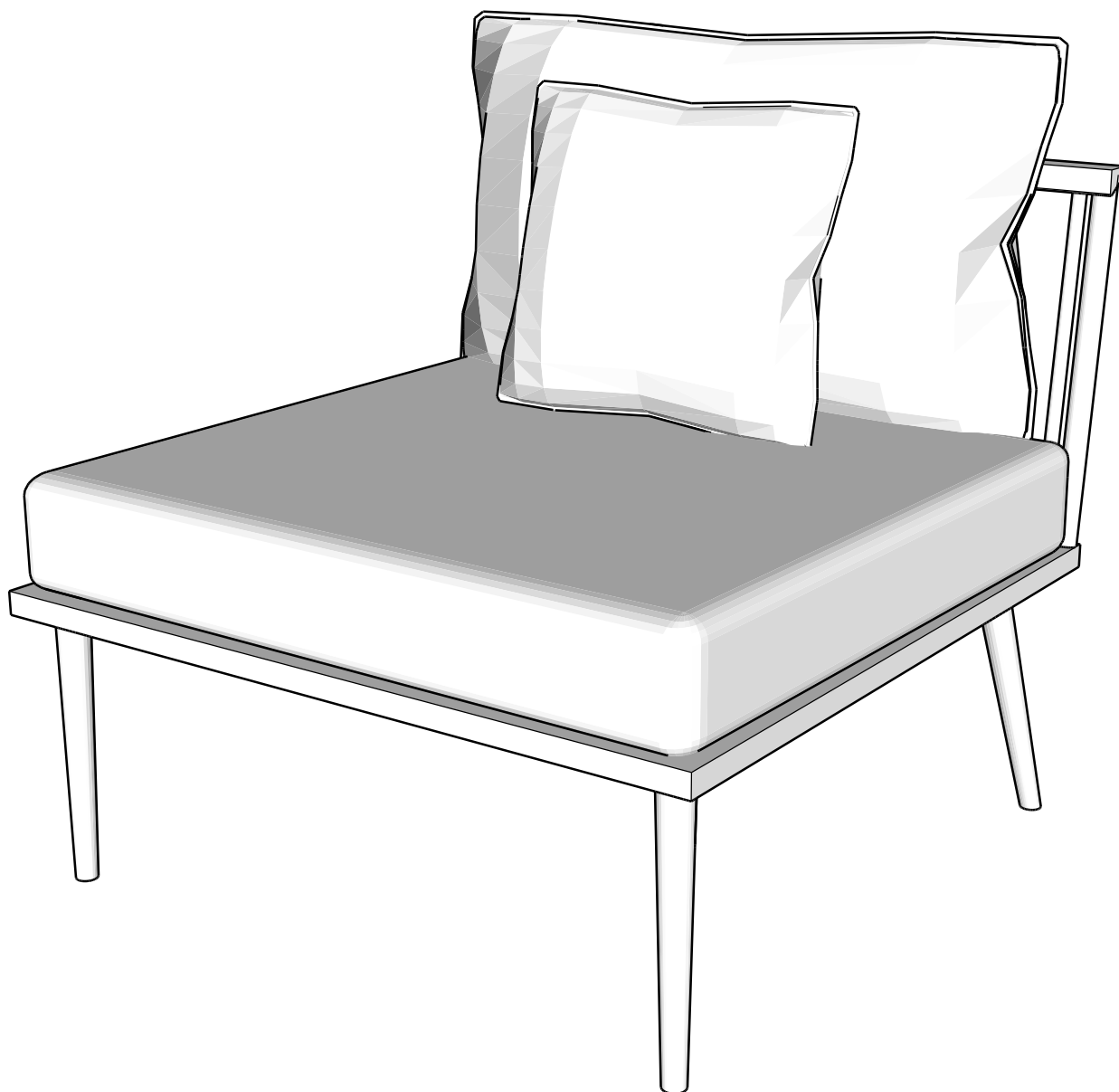
CONNECT WITH US!   

Tag us @modway_furniture and #modway for a chance to be featured.

ASSEMBLY INSTRUCTIONS

EEI-5568

V1.08.10.21



Questions? Contact us!

609.256.9000 • cs@modway.com
www.modway.com

*modway



Read through all of the instructions before starting



Care instructions are listed in the last step of this manual



Approx. 30 minutes assembly time



Make sure you have all parts and components before discarding any packing materials



2 people recommended for assembly

Only use hand tools to assemble this item. Do not use power tools. Do not tighten bolts or screws completely until all hardware is lined up and inserted into the holes.

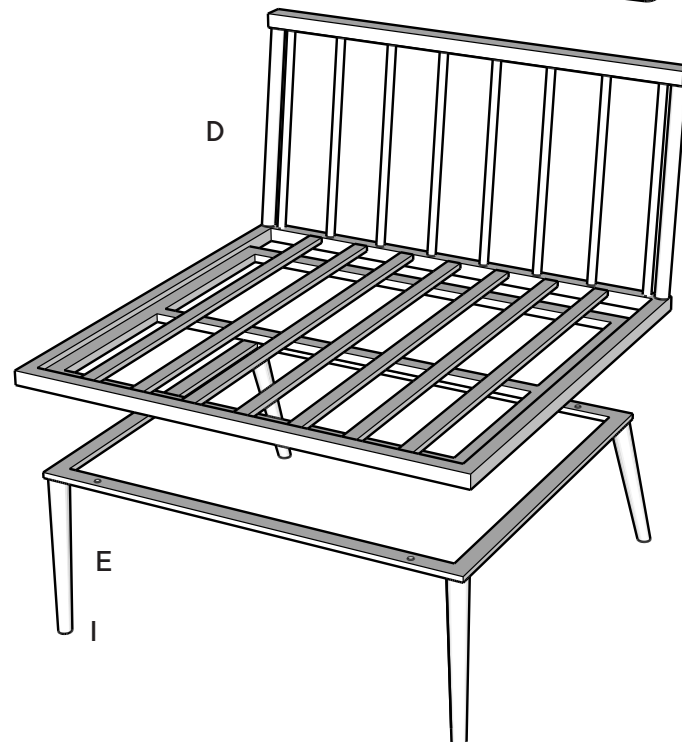
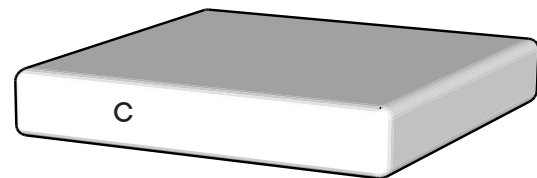
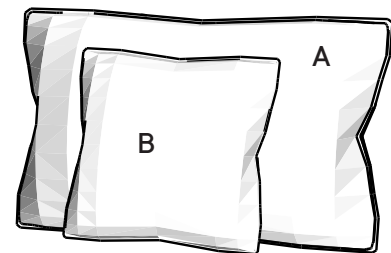
Do not over-tighten screws and bolts to avoid stripping the hardware or cracking the item.

Assemble your item on a flat area, with plenty of space to work. This will prevent damage and scratches to your floors or the item while you're assembling the product.

Keep all components and packaging out of reach of children or animals to avoid risk of choking or suffocation.

Furniture components:

A	Backrest Cushion	x1
B	Square Pillow	x1
C	Seat Cushion	x1
D	Chair Frame	x1
E	Chair Leg	x1



Provided hardware:

G		Bolt M6 x 35mm + Washer	x4
H		Allen Key 4mm	x1
I		Adjustable Leveler - Pre-assembled	x4
J		U- Buckles	x2

Wait!

Missing parts or hardware? Need assistance?
Contact us before returning your item. We're here to help!
609.256.9000 • cs@modway.com

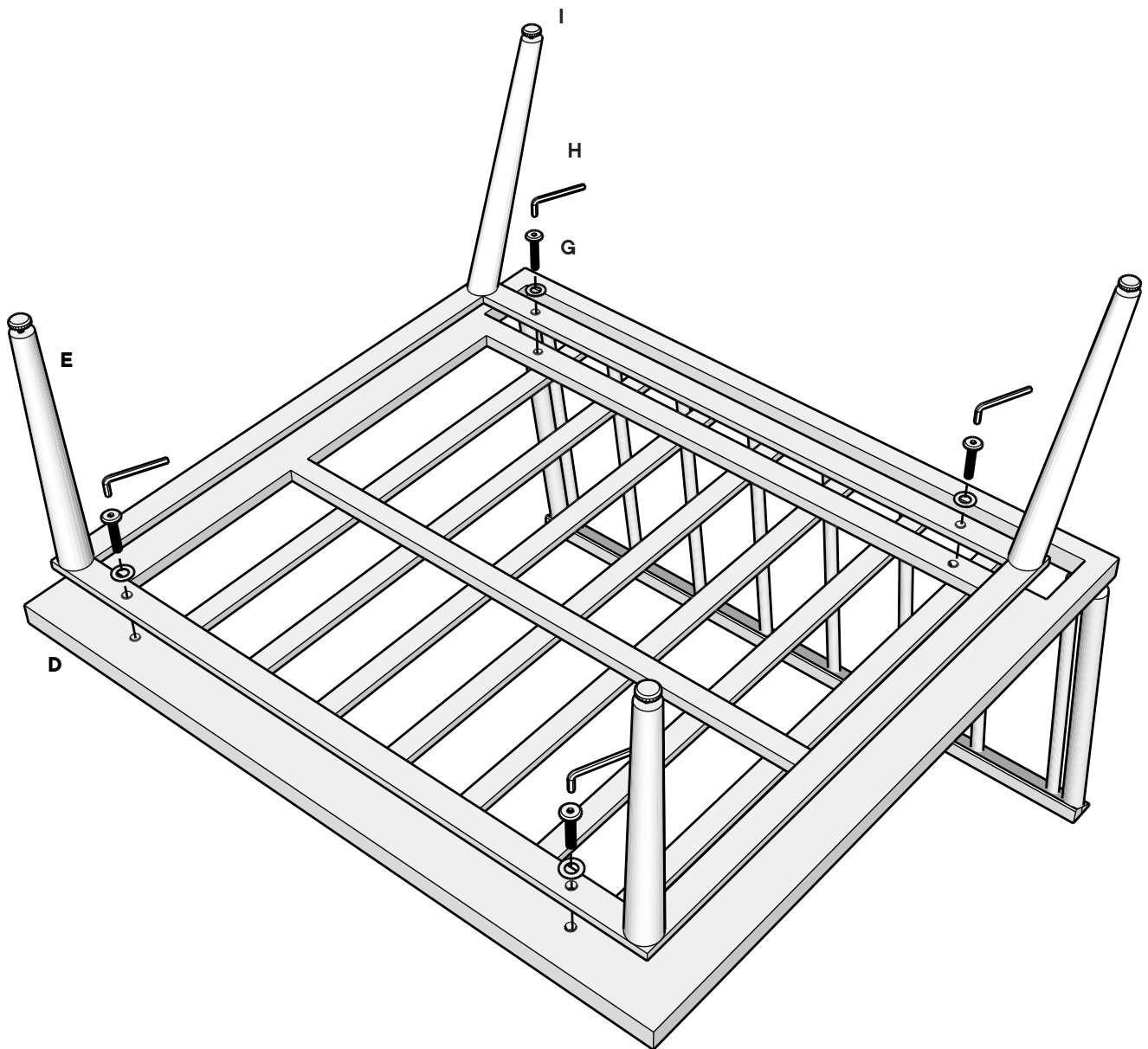
Step 1

HARDWARE

- G** Bolt M6 x 35mm + Washer x4
- H** Allen Key x1

COMPONENTS

- A** Chair Frame x1
- B** Chair Leg x1

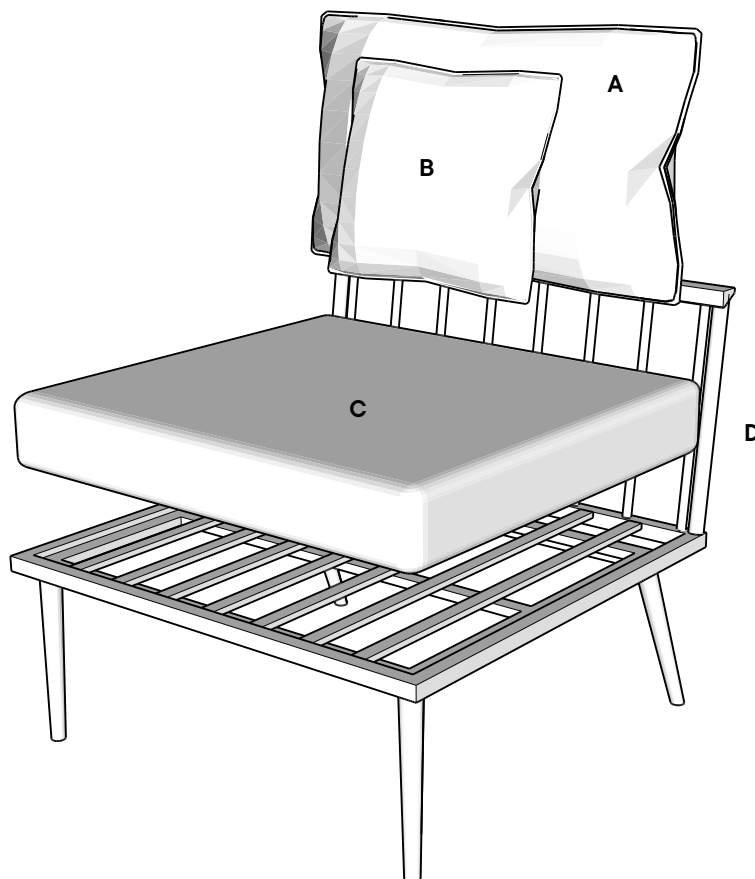


FRONT LEG

Step 2

COMPONENTS

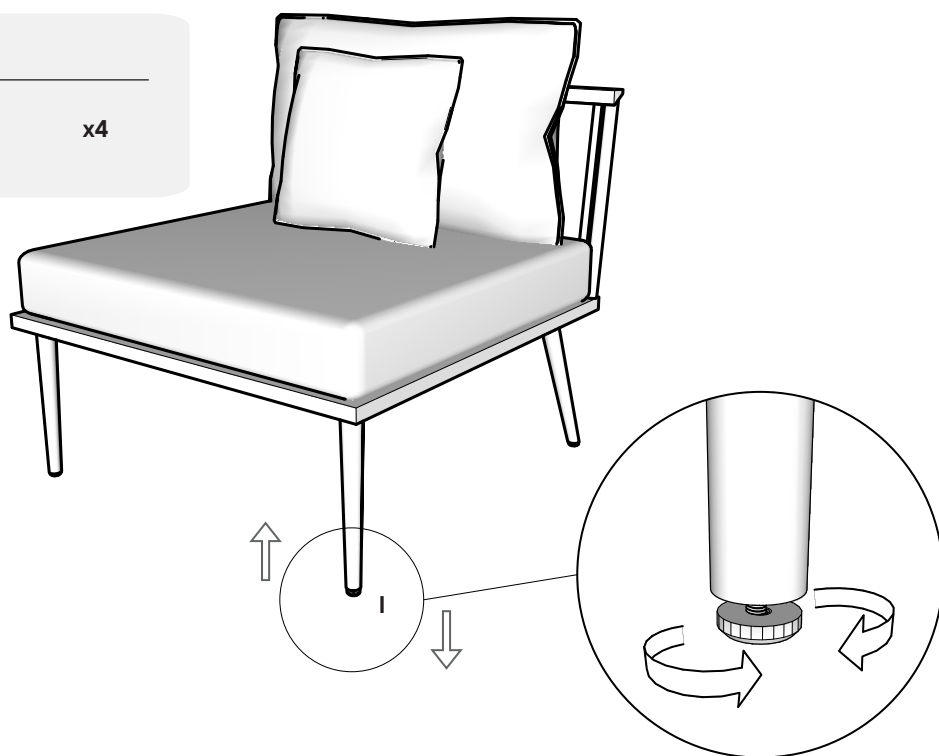
A	Backrest Cushion	x1
B	Square Pillow	x1
C	Seat Cushion	x1
D	Chair Frame	x1



Step 3

HARDWARE

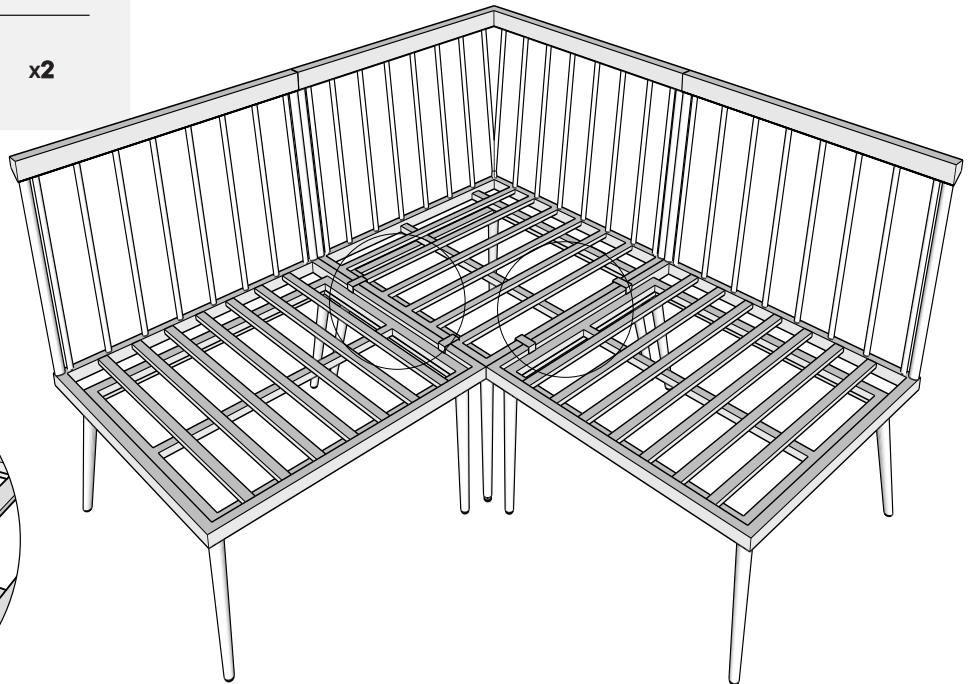
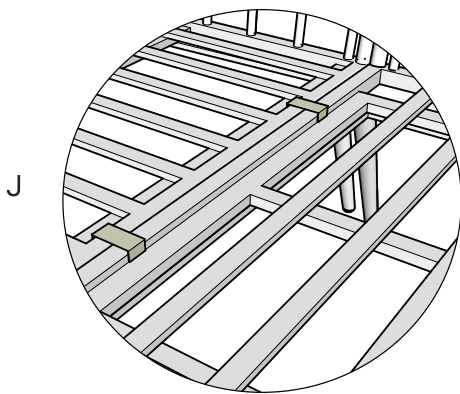
I	Adjustable Leveler	x4
----------	--------------------	----



Step 4 To attach with other unit

HARDWARE

J U-Buckles **x2**



Great job!

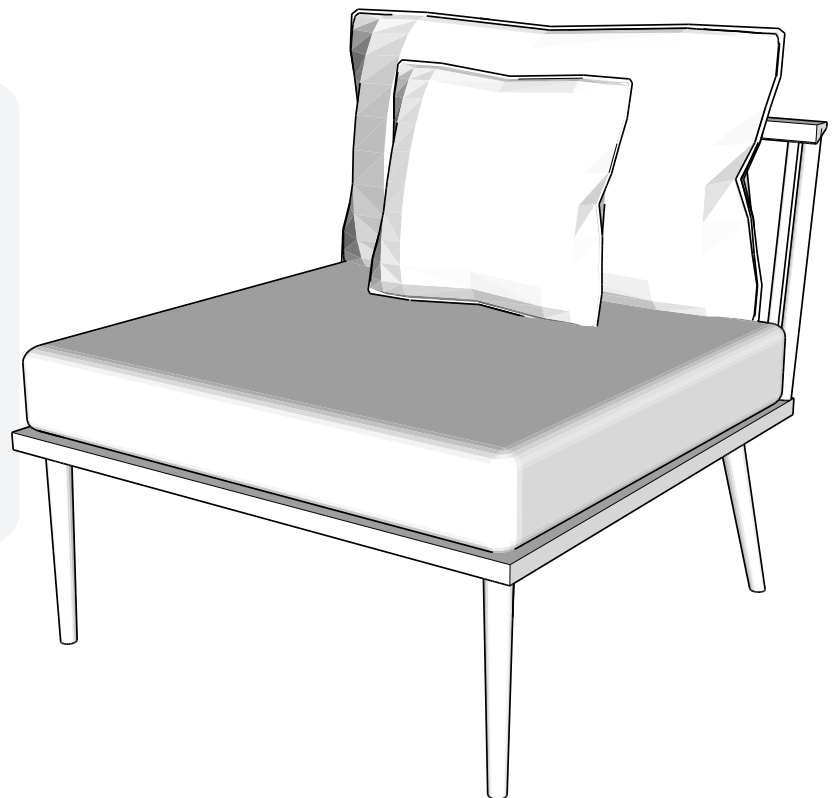
Chair assembly is complete.

♥ CARING FOR YOUR ITEM

Not contract grade.

Clean using a non-abrasive cloth and a mild cleaner.

Never use harsh chemicals, as they could damage the finish or integrity of the item.



CONNECT WITH US!   

Tag us @modway_furniture and #modway for a chance to be featured.