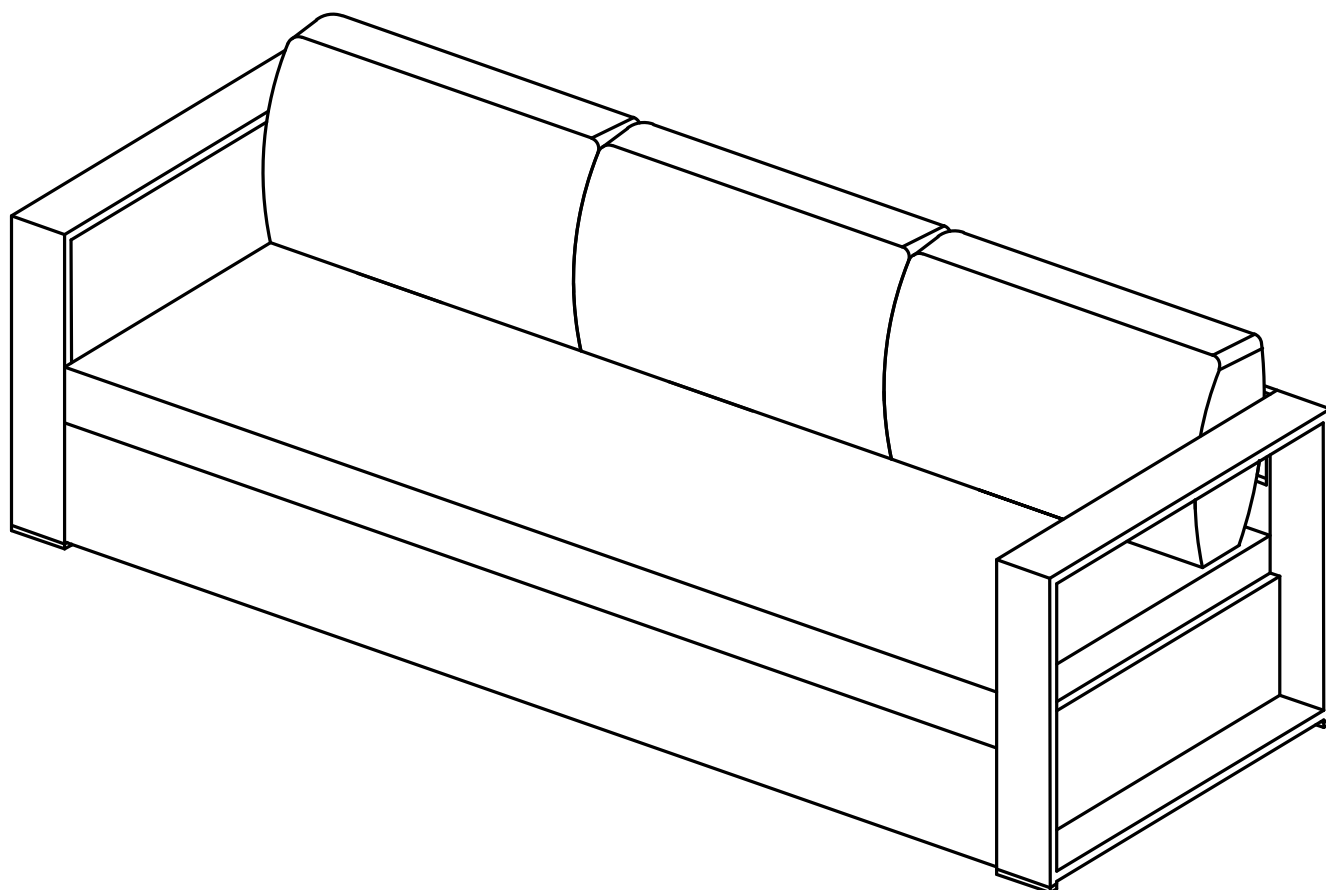


# ASSEMBLY INSTRUCTIONS

# EEI-5676

V1.08.02.21



**Questions? Contact us!**

609.256.9000 • [cs@modway.com](mailto:cs@modway.com)  
[www.modway.com](http://www.modway.com)

**\*modway**



Read through all of the instructions before starting



Care instructions are listed in the last step of this manual



Approx. 60 minutes assembly time



Make sure you have all parts and components before discarding any packing materials



2 people recommended for assembly

**Only use hand tools to assemble this item.** Do not use power tools. Do not tighten bolts or screws completely until all hardware is lined up and inserted into the holes.

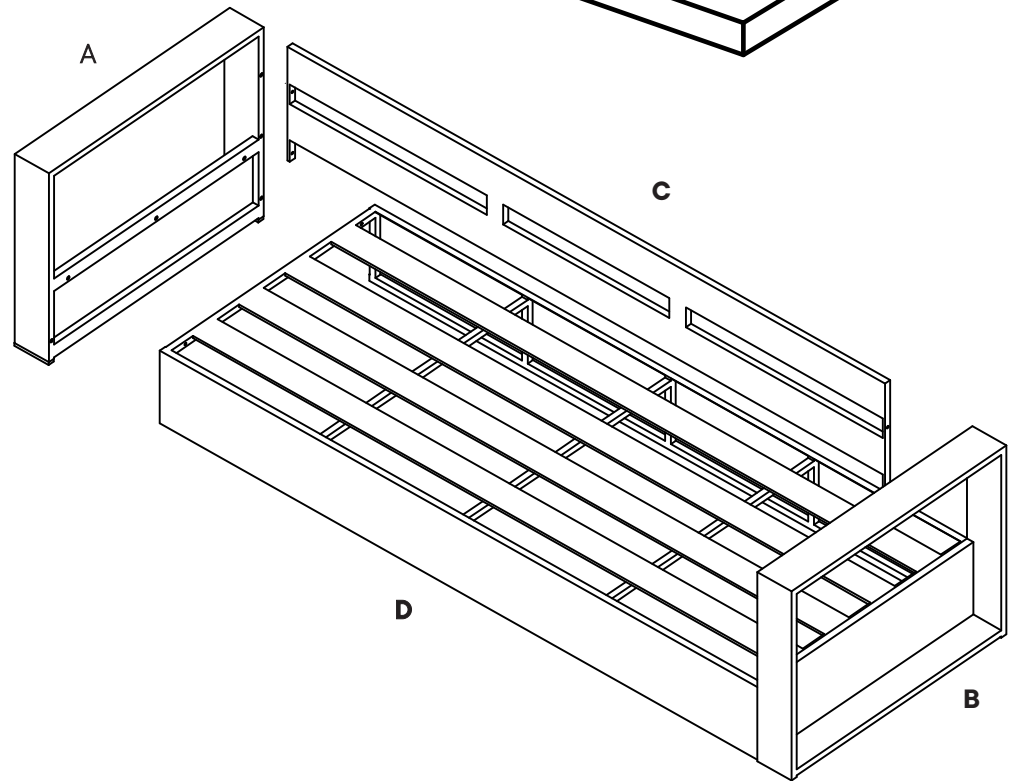
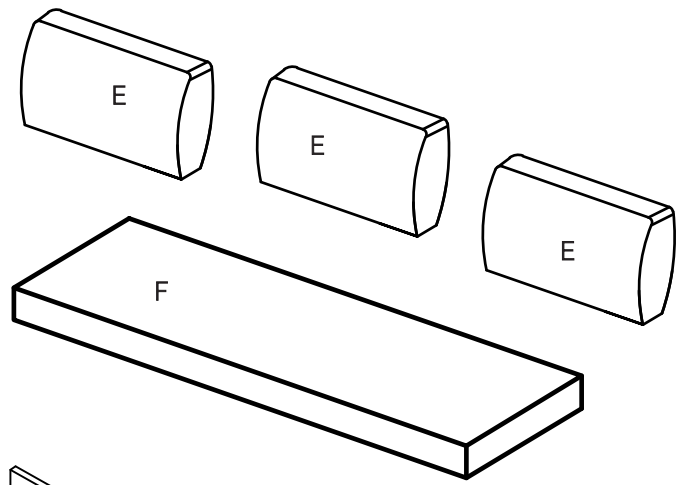
Do not over-tighten screws and bolts to avoid stripping the hardware or cracking the item.

Assemble your item on a flat, carpeted area, with plenty of space to work. This will prevent damage and scratches to your floors or the item while you're assembling the product.

Keep all components and packaging out of reach of children or animals to avoid risk of choking or suffocation.

## Furniture components:

<b>A</b>	Left Arm Rest	x1
<b>B</b>	Right Arm Rest	x1
<b>C</b>	Back Rest	x1
<b>D</b>	Sofa Base	x1
<b>E</b>	Backrest Cushion	x3
<b>F</b>	Seat Cushion	x1



## Provided hardware:

<b>G</b>		Bolt M6 x 35mm	x10
<b>H</b>		Bolt M6 x 20mm	x4
<b>I</b>		Allen Key 4mm	x1

**Wait!**

Missing parts or hardware? Need assistance?  
Contact us before returning your item. We're here to help!  
609.256.9000 • cs@modway.com

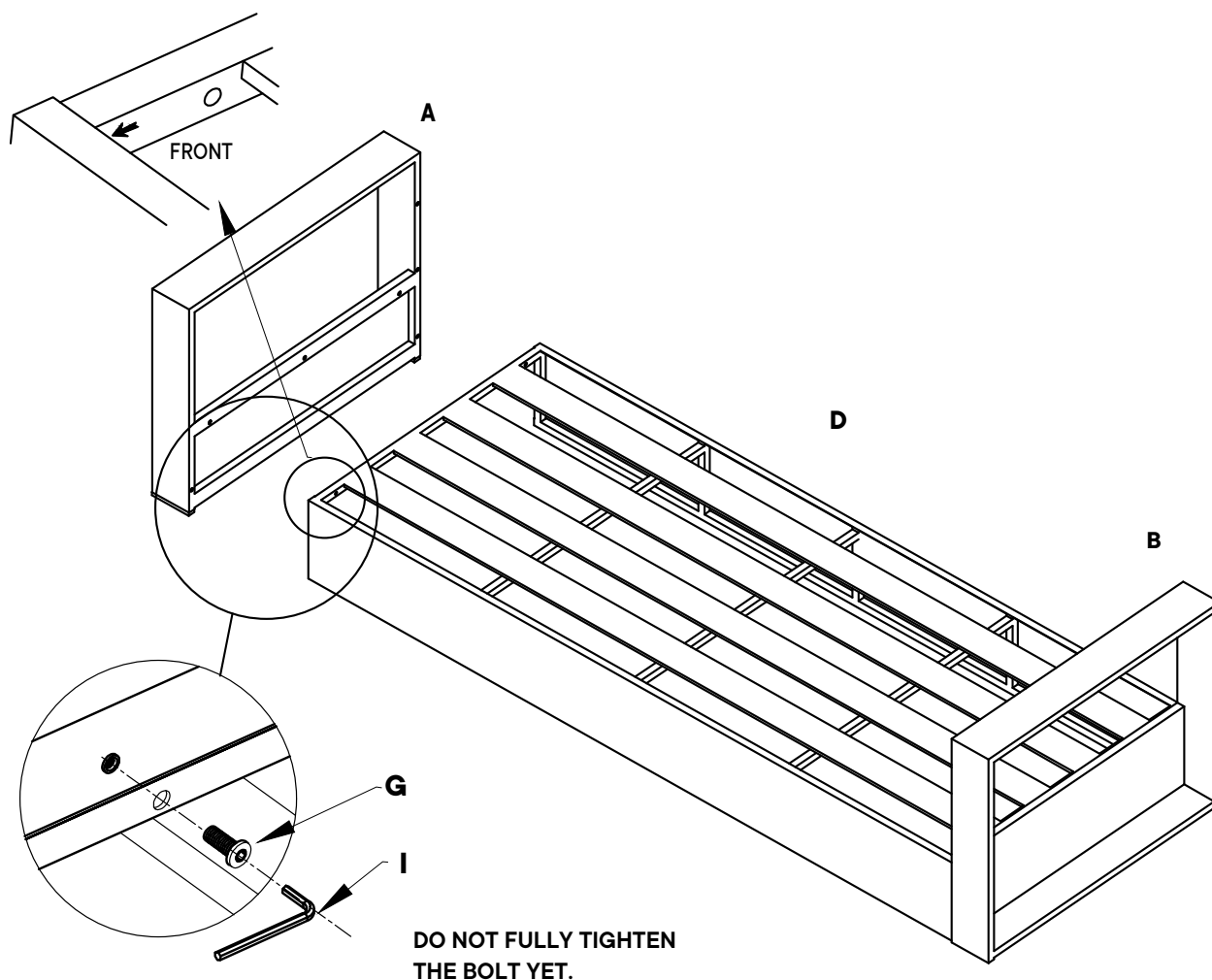
# Step 1

## HARDWARE

- G** Bolt M6 x 35mm x10
- I** Allen Key 4mm x1

## COMPONENTS

- A** Left Arm Rest x1
- B** Right Arm Rest x1
- D** Sofa Base x1



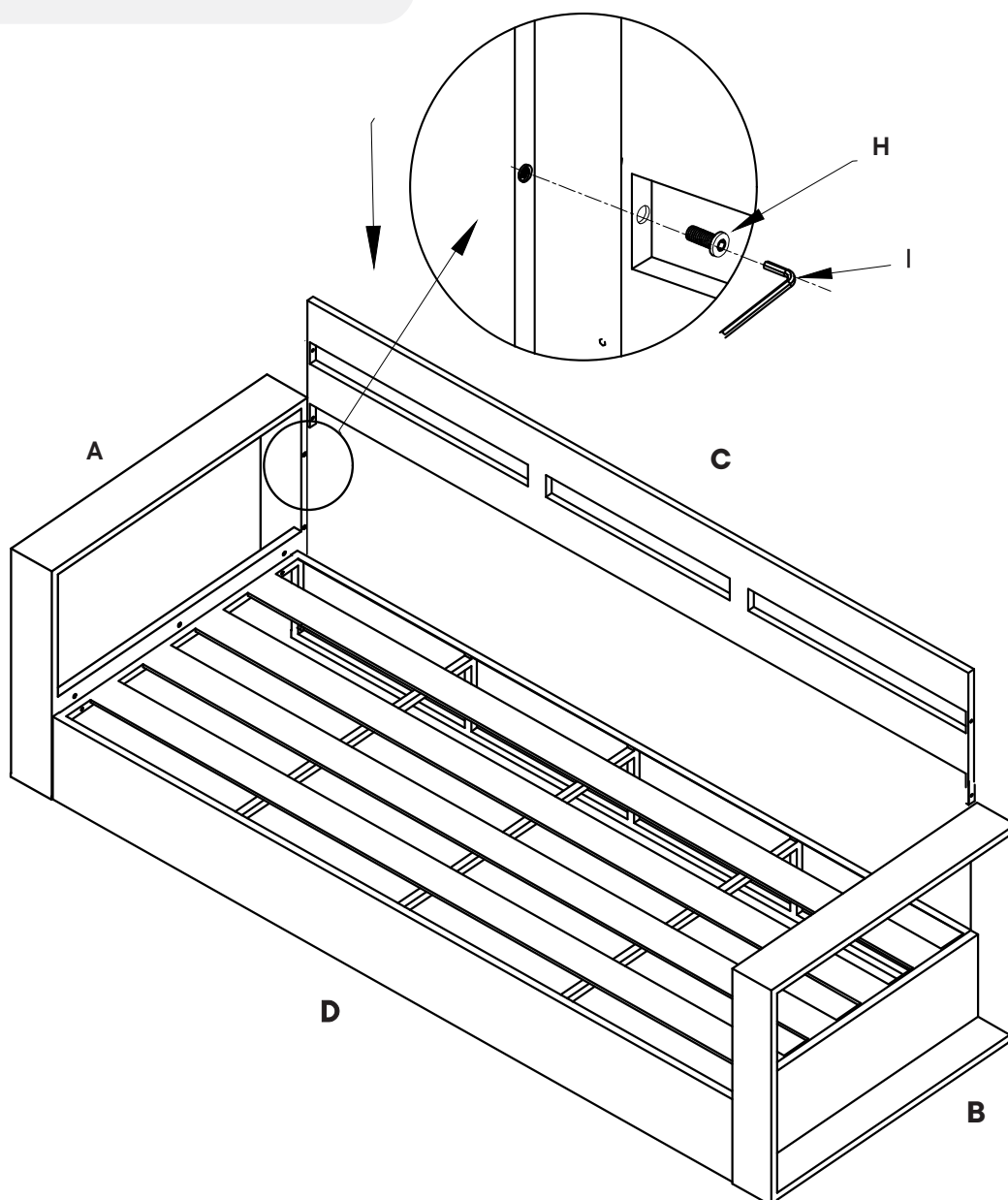
# Step 2

## HARDWARE

<b>H</b>	Bolt M6 x 20mm	x4
<b>I</b>	Allen Key 4mm	x1

## COMPONENTS

<b>A</b>	Left Arm Rest	x1
<b>B</b>	Right Arm Rest	x1
<b>C</b>	Back Rest	x1
<b>D</b>	Sofa Base	x1

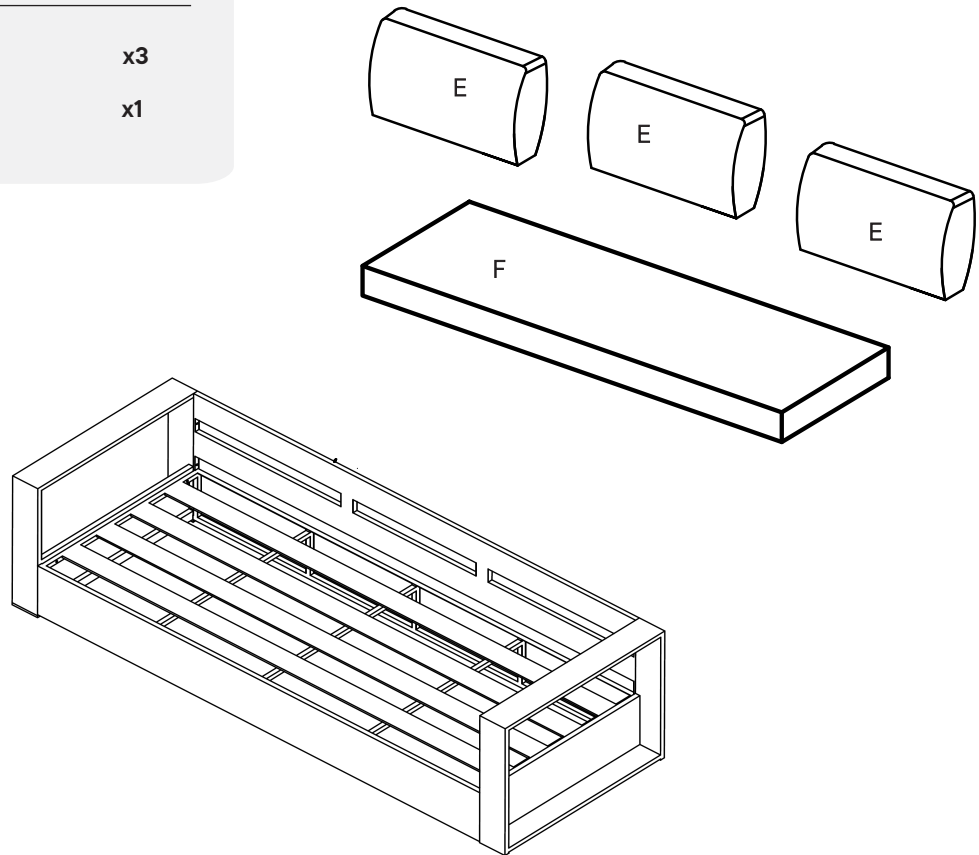


FULLY TIGHTEN ALL BOLTS TO COMPLETE THE ASSEMBLY.

# Step 3

## COMPONENTS

- E** Backrest Cushion x3
- F** Seat Cushion x1



# Great job!

Sofa assembly is complete.

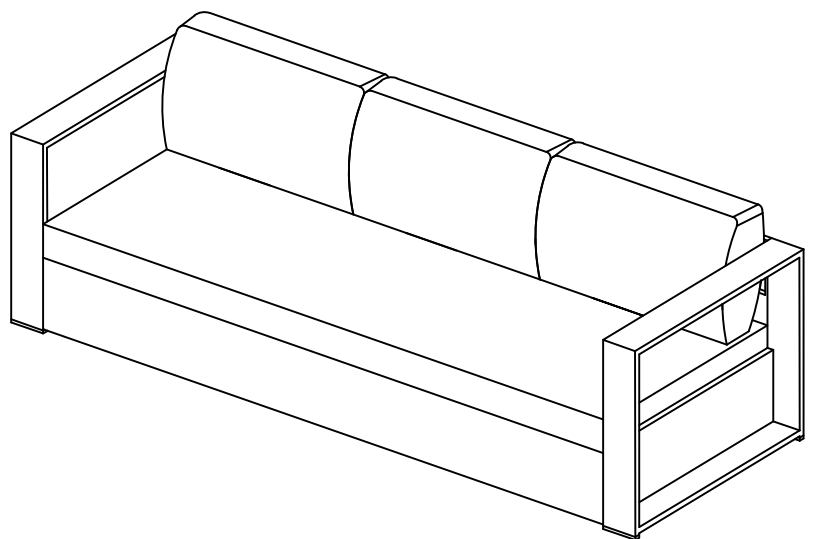
## ♥ CARING FOR YOUR ITEM

For indoor or outdoor use.

Not contract grade.

Clean using a non-abrasive cloth and a mild cleaner.

Never use harsh chemicals, as they could damage the finish or integrity of the item.



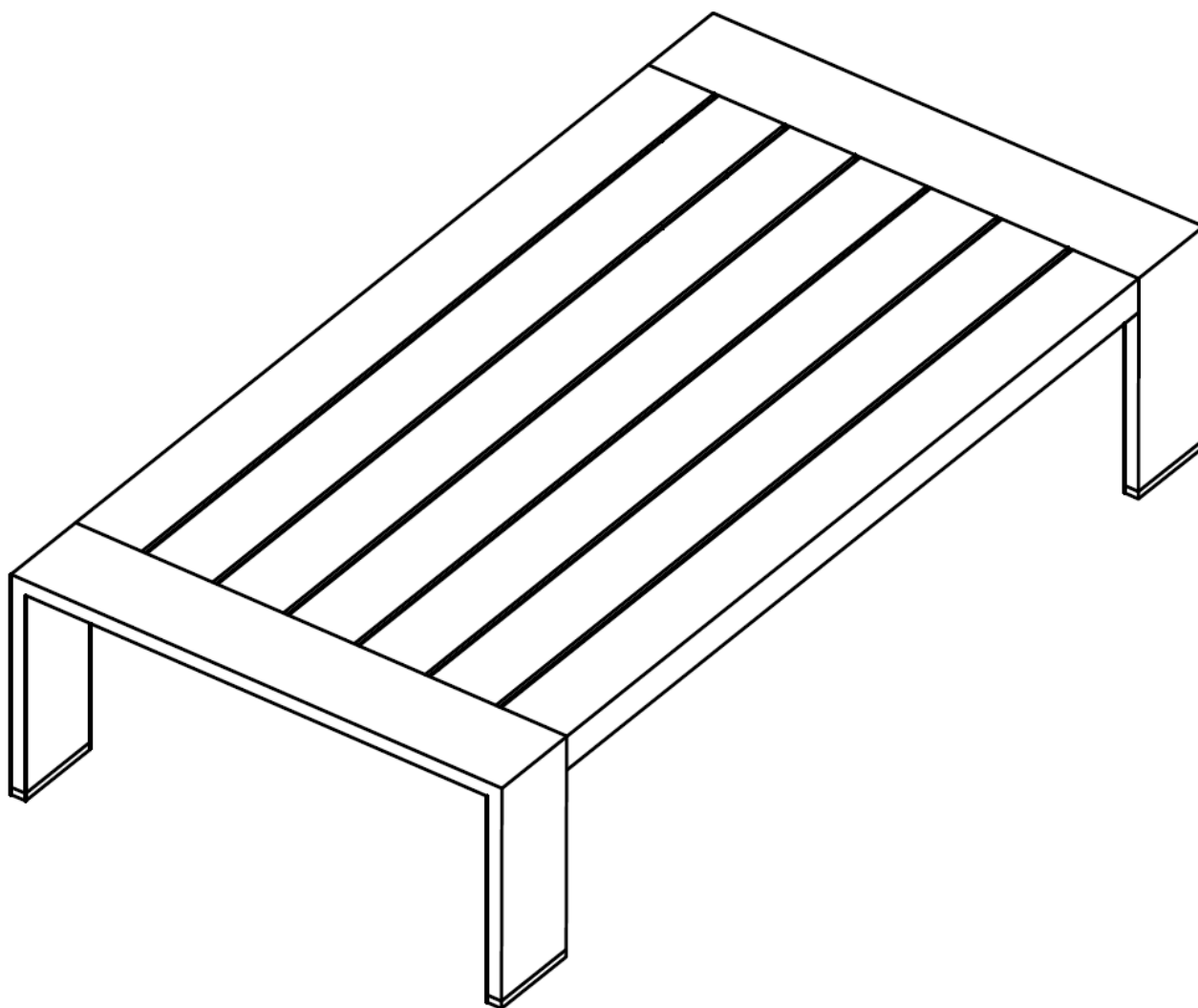
CONNECT WITH US!   

Tag us @modway\_furniture and #modway for a chance to be featured.

# ASSEMBLY INSTRUCTIONS

# EEI-5677

V1.07.30.21



## Questions? Contact us!

609.256.9000 • [cs@modway.com](mailto:cs@modway.com)  
[www.modway.com](http://www.modway.com)

\*modway

# Let's get started!



Read through all of the instructions before starting



Care instructions are listed in the last step of this manual



Approx. 30 minutes assembly time



Make sure you have all parts and components before discarding any packing materials



2 people recommended for assembly

**Only use hand tools to assemble this item.** Do not use power tools. Do not tighten bolts or screws completely until all hardware is lined up and inserted into the holes.

Do not over-tighten screws and bolts to avoid stripping the hardware or cracking the item.

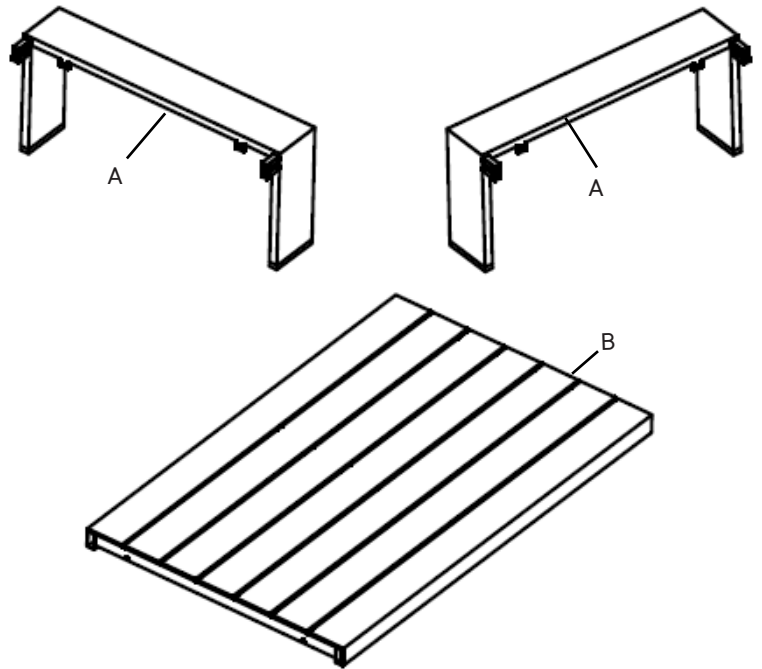
Assemble your item on a flat, carpeted area, with plenty of space to work. This will prevent damage and scratches to your floors or the item while you're assembling the product.

Keep all components and packaging out of reach of children or animals to avoid risk of choking or suffocation.

## Furniture components:

A Left & Right Table Leg x1

B Tabletop x1



## Provided hardware:

C Bolt M6 x 20mm x4

D Bolt M6 x 10mm x4

E Allen Key x1

Wait!

Missing parts or hardware? Need assistance?  
Contact us before returning your item. We're here to help!  
609.256.9000 • cs@modway.com

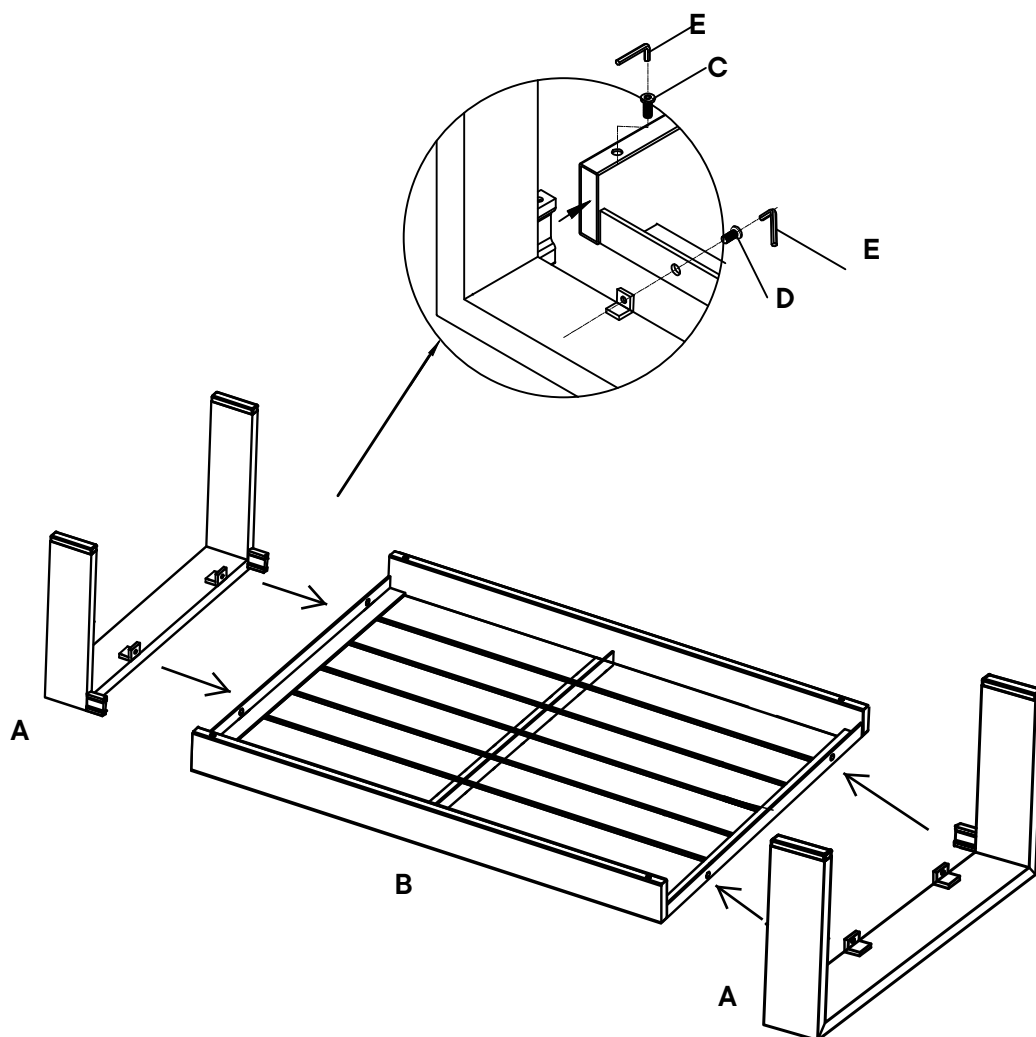
# Step 1

## HARDWARE

<b>C</b>	Bolt M6 x 20mm	x4
<b>D</b>	Bolt M6 x 10mm	x4
<b>E</b>	Allen Key	x1

## COMPONENTS

<b>A</b>	Left & Right Table Leg	x1
<b>B</b>	Tabletop	x1



# Great job!

Coffee table assembly is complete .

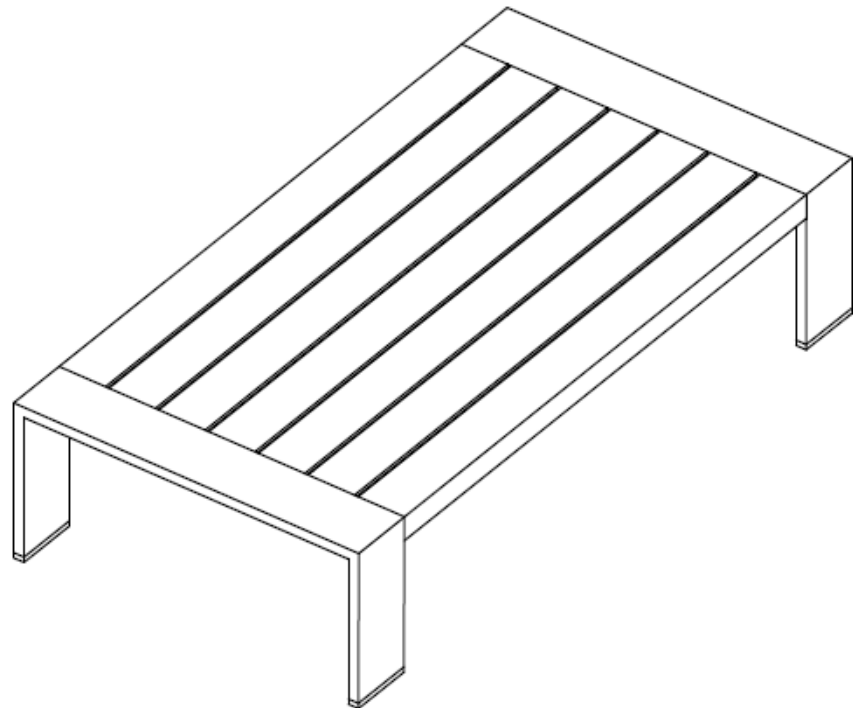
## ♥ CARING FOR YOUR ITEM

For indoor or outdoor use.

Not contract grade.

Clean using a non-abrasive cloth and a mild cleaner.

Never use harsh chemicals, as they could damage the finish or integrity of the item.



CONNECT WITH US!   

Tag us [@modway\\_furniture](#) and [#modway](#) for a chance to be featured.