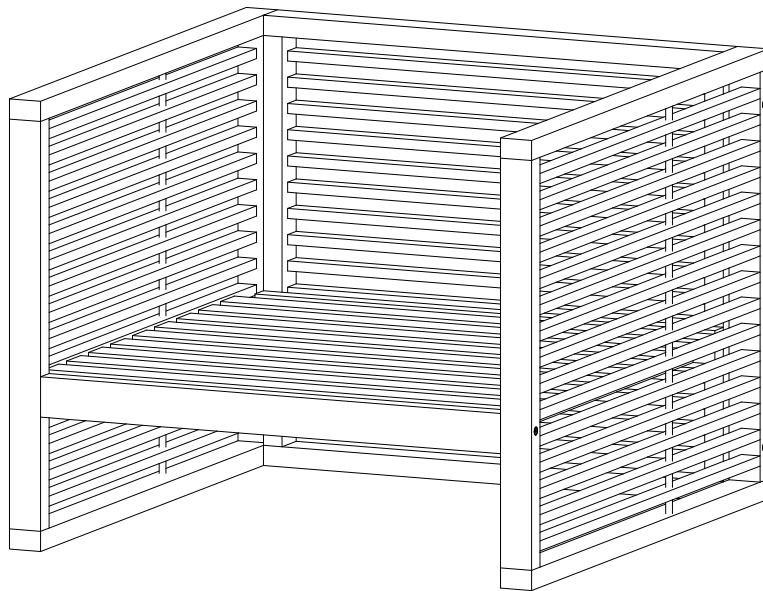


ASSEMBLY INSTRUCTIONS

EEI-5606

V1.04.22.21



Questions? Contact us!

609.256.9000 • cs@modway.com
www.modway.com

***modway**

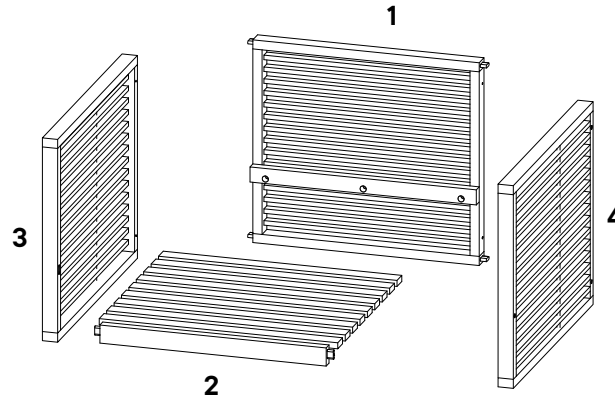
Let's get started!

*modway



Furniture components included in the box:

All parts are numbered with a sticker according to this list.

1	Backrest	x1
2	Seat	x1
3	Left Arm	x1
4	Right Arm	x1



Hardware included in the box:

A		JCBC Bolt M6 x 77mm	x6
B		Allen Key	x1



Missing parts or hardware? Need assistance?

Contact us before returning your item.

We're here to help!

609.256.9000 • cs@modway.com

Before you begin, here are some things to keep in mind:

Read through all of the instructions before starting. Make sure you have all parts and components and the item is assembled before discarding any packing materials.

Assembly will take most people about **30 minutes**. Consider having a friend help you!

Only use hand tools to assemble this item.

Do not use power tools. Do not tighten bolts or screws completely until all hardware is lined up and inserted into the holes.

Do not over-tighten screws and bolts to avoid stripping the hardware or cracking the item.

Assemble your item on a flat, padded area, with plenty of space to work. This will prevent damage and scratches to your floors or the item while you're assembling the product.

Keep all components and packaging out of reach of children or animals to avoid risk of choking or suffocation.

Please ensure that the packaging is disposed of in a safe and environmentally friendly way.

Care instructions are listed on the last step of this manual.

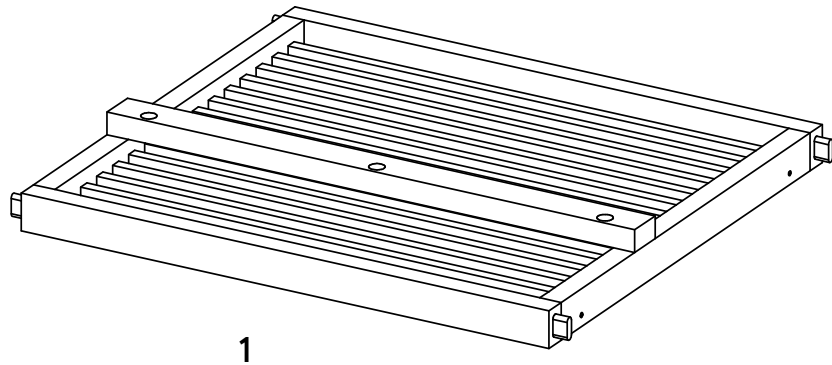
Step 1

*modway

COMPONENTS

① Backrest x1

1.1 Place the **Backrest (1)** on a carpeted or padded surface in the position as shown.

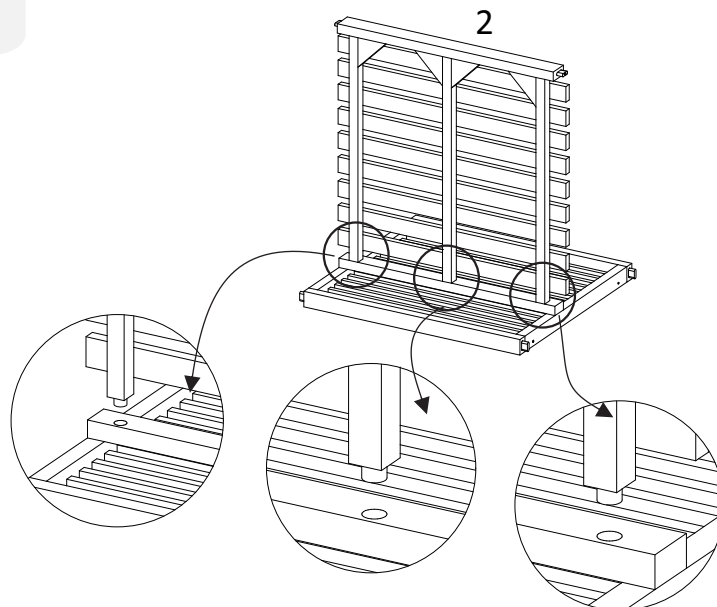


Step 2

COMPONENTS

② Seat x1

2.1 Position the **Seat (2)** on the **Backrest (1)** to align the tenons into the tenon holes.



Step 3

*modway

COMPONENTS

3 Left Arm x1

HARDWARE

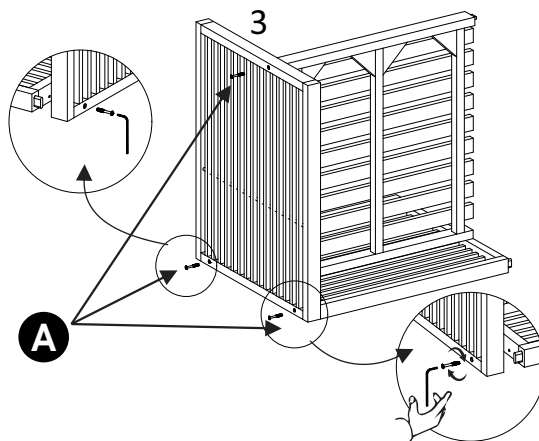
A JCBC Bolt M6 x 77mm x4

TOOLS

B Allen Key x1

3.1 Insert the **Left Arm (3)** tenons into the tenon holes to position it as shown.

3.2 Secure the **Left Arm (3)** with the **JCBC Bolts (A)** into each of the holes with the **Allen Key (B)**.



Step 4

COMPONENTS

4 Right Arm x1

HARDWARE

A JCBC Bolt M6 x 77mm x3

TOOLS

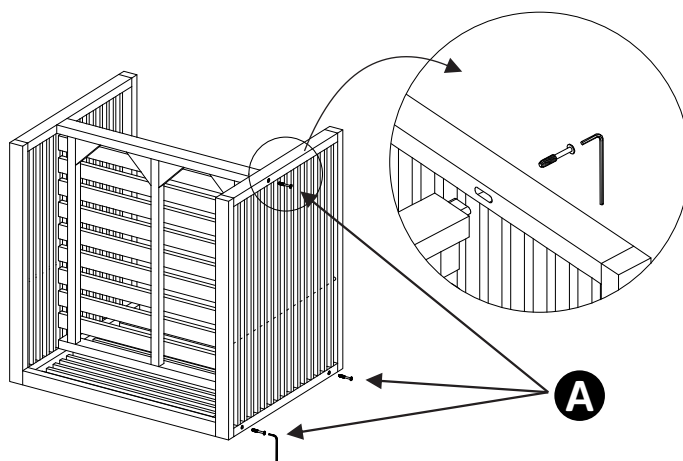
B Allen Key M6 x1

4.1 Next, insert the **Right Arm (4)**

tenons into the tenon holes to position it as shown.

4.2 Secure the **Right Arm (4)** with the **JCBC Bolts (A)** into each of the holes with the **Allen Key (B)**.

4.3 Flip the assembled chair upright and place the cushion on the seat rest. (Cushions are sold separately.)



Great job!

*modway

Your new lounge chair is complete.

CARING FOR YOUR ITEM

Depending on use, it may be necessary to tighten the hardware from time to time, so please save the tools that have been provided.

Not contract grade.

Clean using a non-abrasive cloth and a mild cleaner.

Retain the rich wood color by occasionally sanding lightly and applying a teak cleaner and protectant. The oils nourish and help restore the original look.

CONNECT WITH US!



Tag us [@modway_furniture](#) and [#modway](#) for a chance to be featured.

