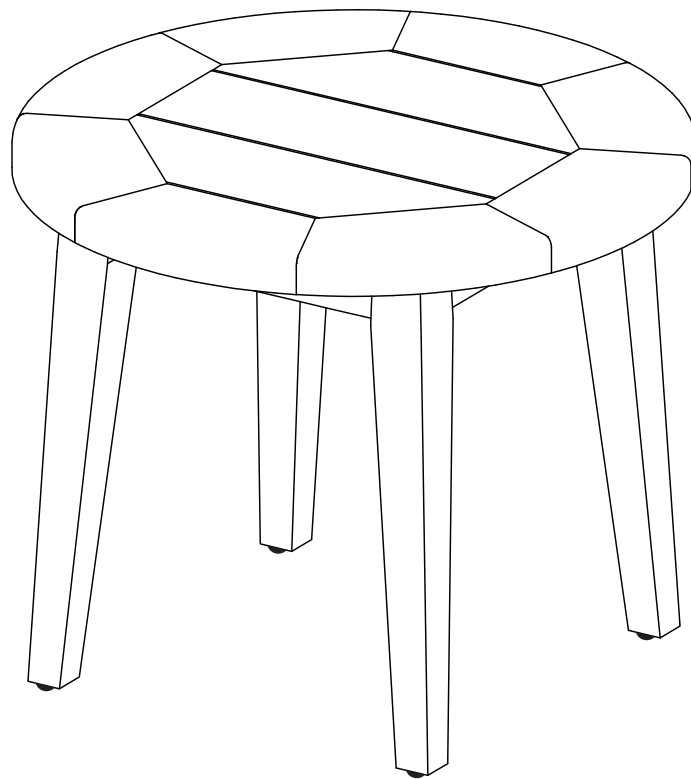


ASSEMBLY INSTRUCTIONS

EEI-5604

V1.03.25.21



Questions? Contact us!

609.256.9000 • cs@modway.com
www.modway.com

***modway**

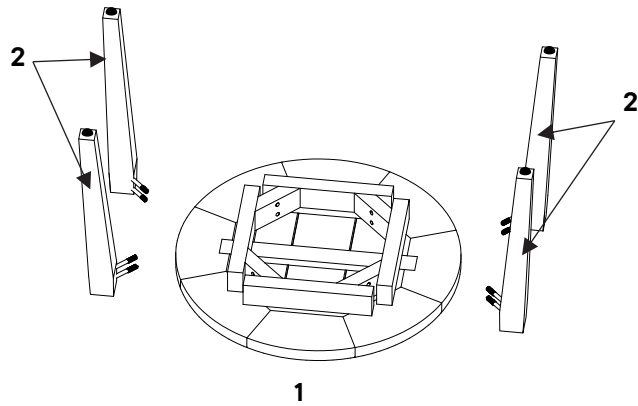
Let's get started!

*modway

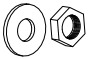

Furniture components included in the box:

All parts are numbered with a sticker according to this list.

1	Tabletop	x1
2	Table Leg	x4



Hardware included in the box:

A		Flat Washer & Hex Nut M8	x8
B		Spanner	x1



Missing parts or hardware? Need assistance?

Contact us before returning your item.

We're here to help!

609.256.9000 • cs@modway.com

Before you begin, here are some things to keep in mind:

Read through all of the instructions before starting. Make sure you have all parts and components and the item is assembled before discarding any packing materials.

Assembly will take most people about **30 minutes**. Consider having a friend help you!

Only use hand tools to assemble this item.

Do not use power tools. Do not tighten bolts or screws completely until all hardware is lined up and inserted into the holes.

Do not over-tighten screws and bolts to avoid stripping the hardware or cracking the item.

Assemble your item on a flat, padded area, with plenty of space to work. This will prevent damage and scratches to your floors or the item while you're assembling the product.

Keep all components and packaging out of reach of children or animals to avoid risk of choking or suffocation.

Please ensure that the packaging is disposed of in a safe and environmentally friendly way.

Care instructions are listed on the last step of this manual.

Step 1

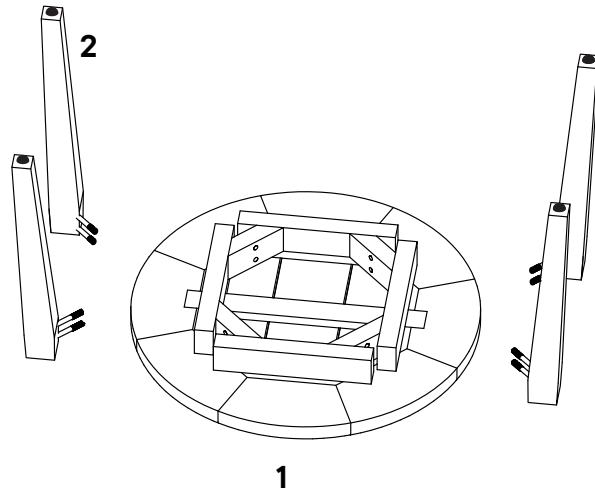
*modway

COMPONENTS

1	Tabletop	x1
2	Table Leg	x4

1.1 Lay the **Tabletop (1)** component with the flat side down on a carpeted or padded surface as shown.

1.2 Position/align the **Table Leg (2)** so that the protruded hanger bolts can be inserted into the holes at the **Tabletop (1)** apron corner block.



Step 2

HARDWARE

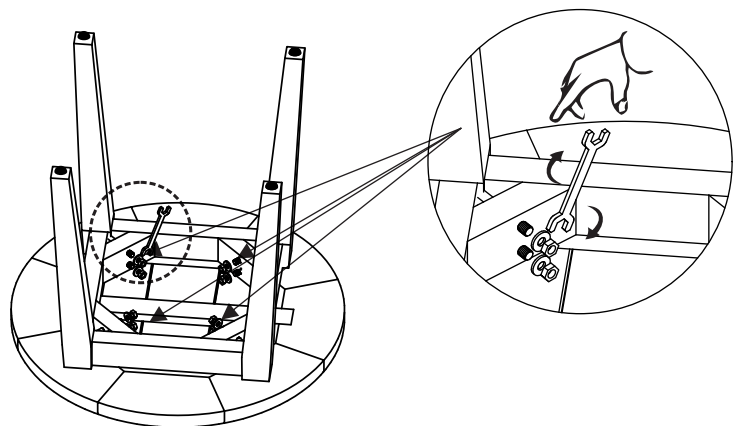
A	Flat Washer & Hex Nut M8	x8
---	--------------------------	----

TOOLS

B	Spanner	x1
---	---------	----

2.1 Insert the **Flat Washer & Hex Nut M8 (A)** with the provided **Spanner (B)**.

2.2 Repeat 2.1 for the remaining legs to complete the **Table Leg (2)** assembly.



Great job!

*modway

Your new side table is complete.

CARING FOR YOUR ITEM

Depending on use, it may be necessary to tighten the hardware from time to time, so please save the tools that have been provided.

Not contract grade.

Clean using a non-abrasive cloth and a mild cleaner.

Retain the rich wood color by occasionally sanding lightly and applying a teak cleaner and protectant. The oils nourish and help restore the original look.

CONNECT WITH US!



Tag us [@modway_furniture](#) and [#modway](#) for a chance to be featured.

