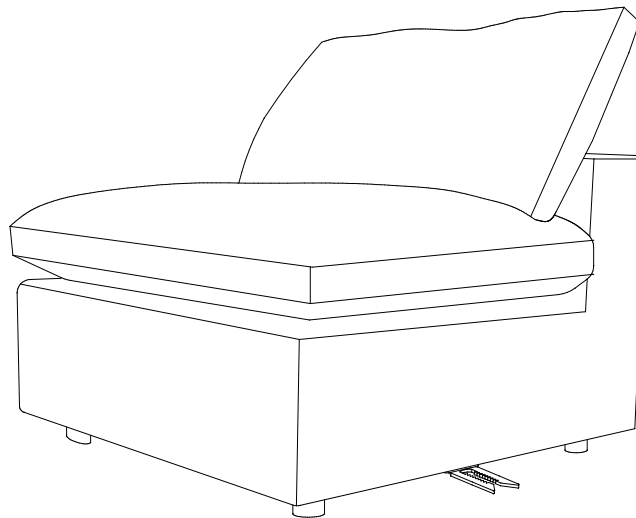


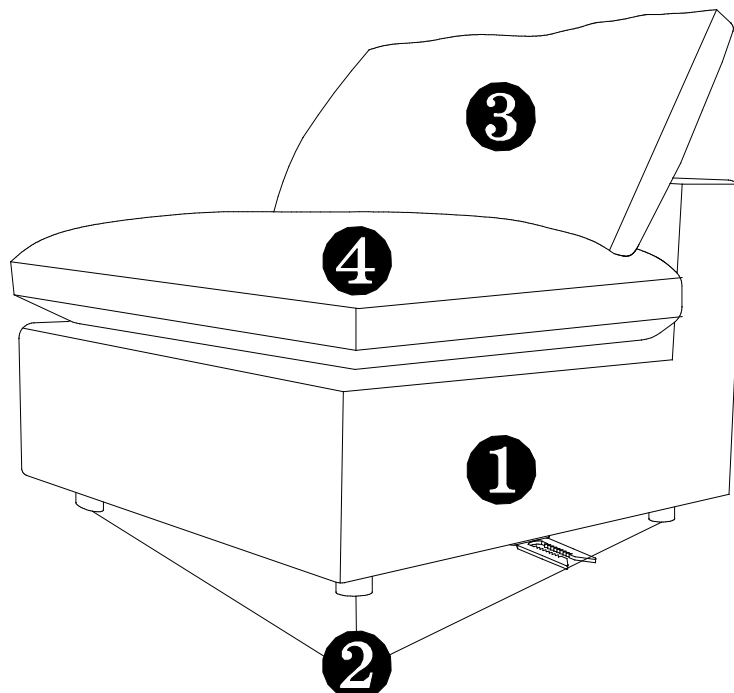
Thank you for purchasing the **MODWAY ARMLESS SOFA**

Before you start, here are some helpful advice:

1. We suggest you spend a short time reading through this leaflet and then follow the simple step-by-step instructions.
2. Owing to the size and weight of the sofa, we recommend that it is assembled by two adults, on a carpeted or padded area, in the room that it is intended for. Approximate assembly time: 30 minutes.
3. Please do not use any tools other than those provided or recommended in these instructions.
4. Please do not throw away any of the packaging or the instruction until you have checked all the components and hardware and the furniture is fully assembled. Please ensure that the packaging is disposed of in a safe and environmentally friendly way.
5. Assemble all components loosely until advised to tighten. Depending on use, it may be necessary to tighten the components from time to time, so please save the tools that have been provided.
6. Please keep all pieces out of reach of children.



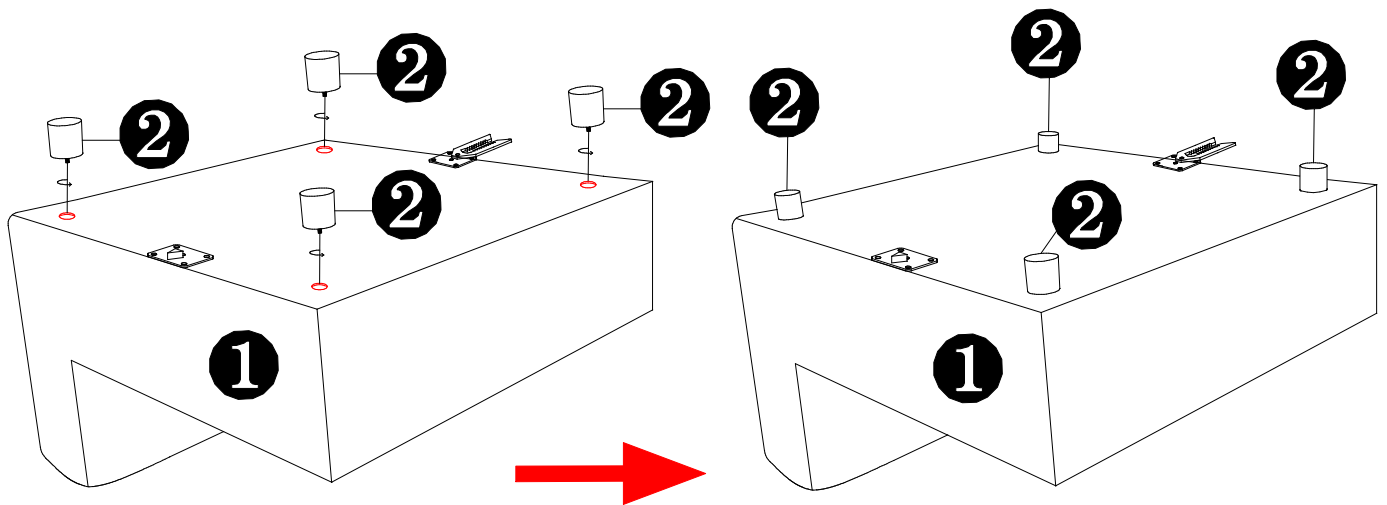
Components:



- |              |    |             |    |                 |    |                 |    |
|--------------|----|-------------|----|-----------------|----|-----------------|----|
| 1. Sofa Body | x1 | 2. Sofa Leg | x4 | 3. Back Cushion | x1 | 4. Seat Cushion | x1 |
|--------------|----|-------------|----|-----------------|----|-----------------|----|

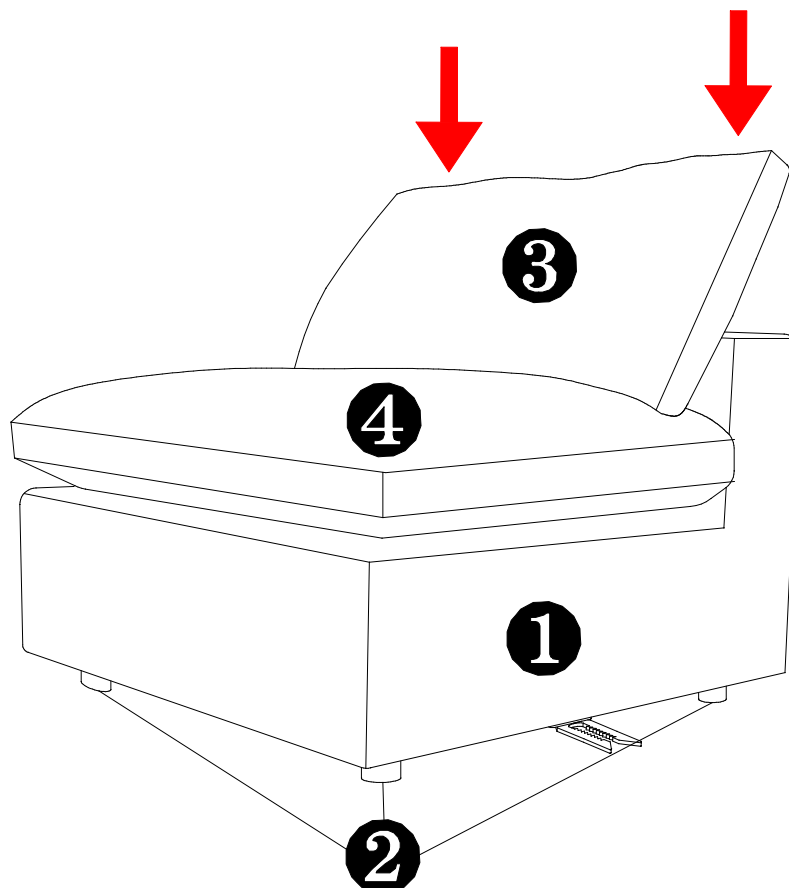
**STEP 1:**

1. Please put **Sofa Body (1)** upside down on a carpeted or padded surface
2. Tighten 4 pieces of **Sofa Legs (2)** to the bottom of the **Sofa Body (1)** clockwise by hand as shown.



**STEP 2:**

1. Carefully turn over the assembled **Sofa Body (1)** and **Sofa Legs (2)**.
2. Carefully put 1 piece of **Back Cushion (3)** and 1 piece of **Seat cushion (4)** to the assembled **Sofa Body (1)** and **Sofa Legs (2)** as shown.

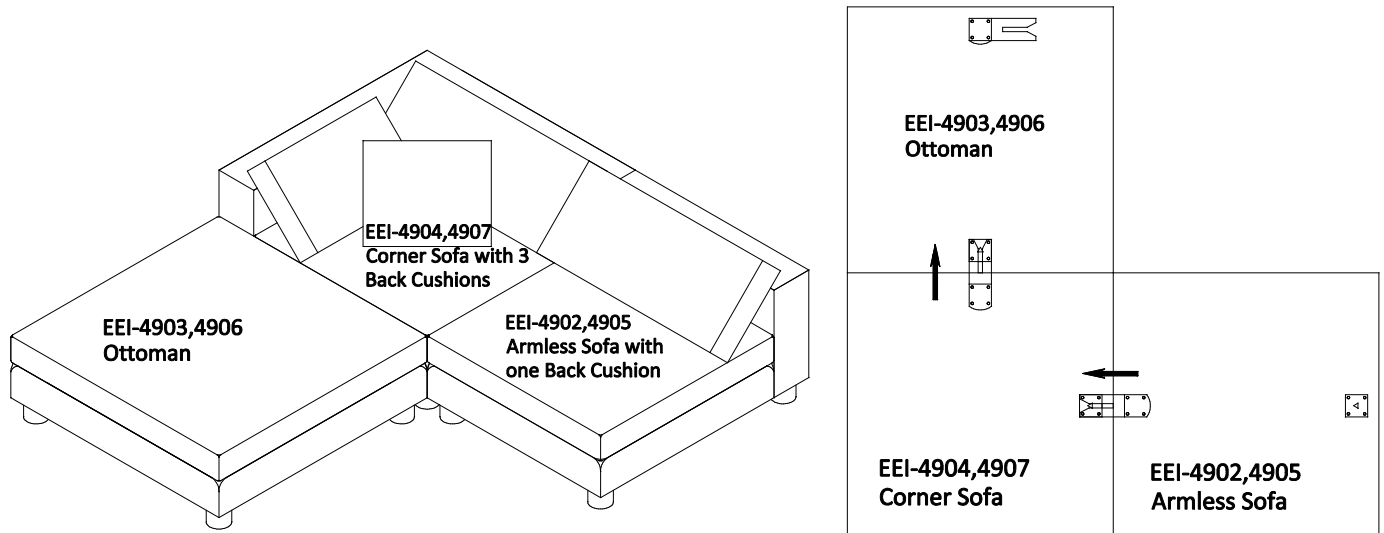


Assembly is complete. Your armless sofa is ready to enjoy now

EEI-4903/4906 Ottoman with EEI-4902/4905 Armless Sofa, EEI-4904/4907 Corner Sofa have three Combination of options as shown below.

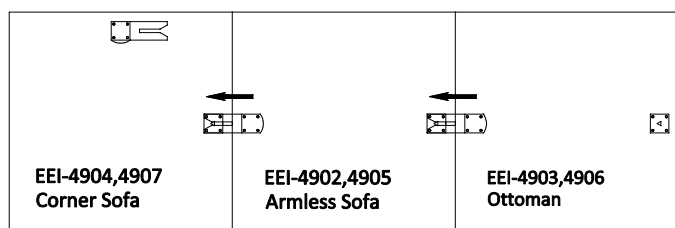
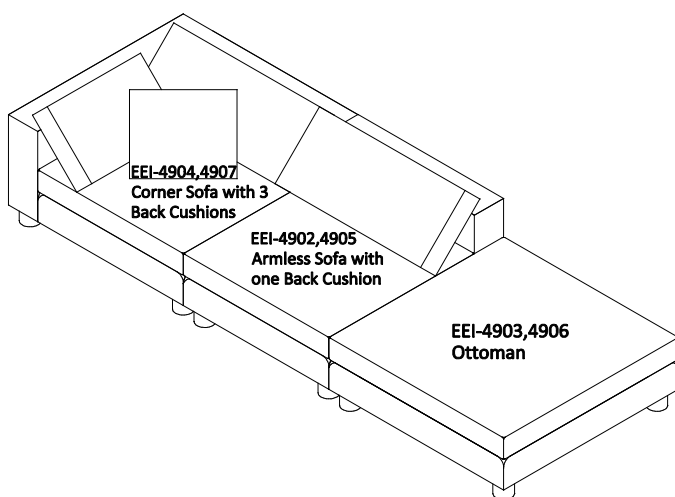
**Option A:** Align the pre-installed Clip to the pre-installed Post as shown.

Push **EEI-4903/4906 Ottoman**, **EEI-4902/4905 Armless Sofa** and **EEI-4904/4907 Corner Sofa** slowly until the Clip and the Post click together tightly.

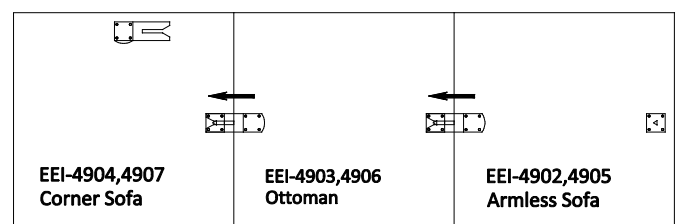
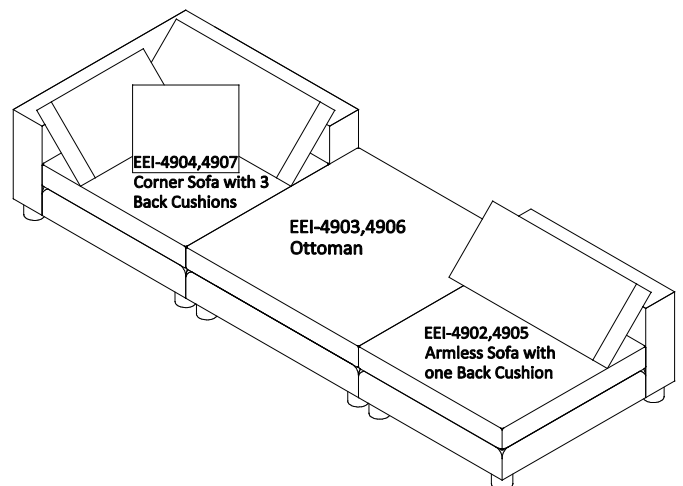


If you want to unlock the sofa combination: Lift up **EEI-4904/4907 Corner Sofa** and move **EEI-4903/4906 Ottoman** and **EEI-4902/4905 Armless Sofa** apart from **EEI-4904/4907 Corner Sofa**.

**Option B :**



**Option C :**



Assembly is complete. The sectional sofa is ready to enjoy now