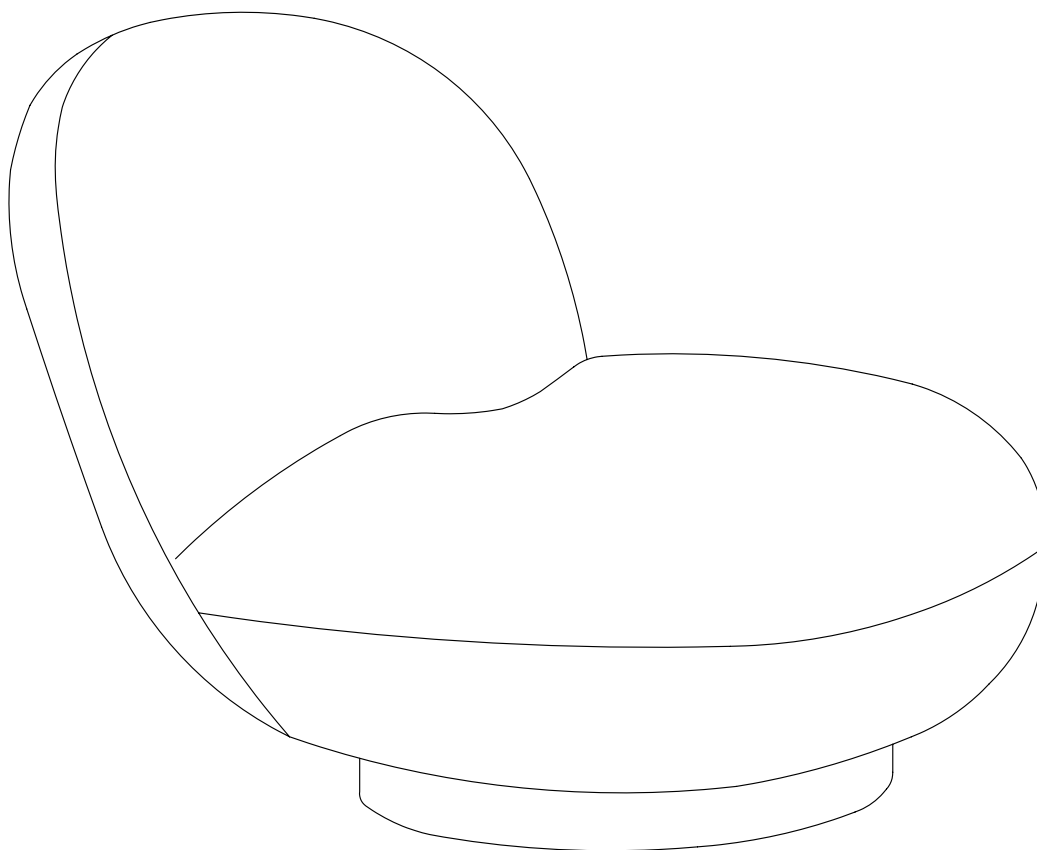


ASSEMBLY INSTRUCTIONS

EEI-5485,5486

V1.06.26.21



Questions? Contact us!

609.256.9000 • cs@modway.com
www.modway.com

*modway



Read through all of the instructions before starting



Care instructions are listed in the last step of this manual



Approx. 30 minutes assembly time



Make sure you have all parts and components before discarding any packing materials



2 people recommended for assembly

Only use hand tools to assemble this item. Do not use power tools. Do not tighten bolts completely until all hardware is lined up and inserted into the holes.

Do not over-tighten bolts to avoid stripping the hardware or cracking the item.

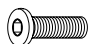



Assemble your item on a flat, carpeted area, with plenty of space to work. This will prevent damage and scratches to your floors or the item while you're assembling the product.

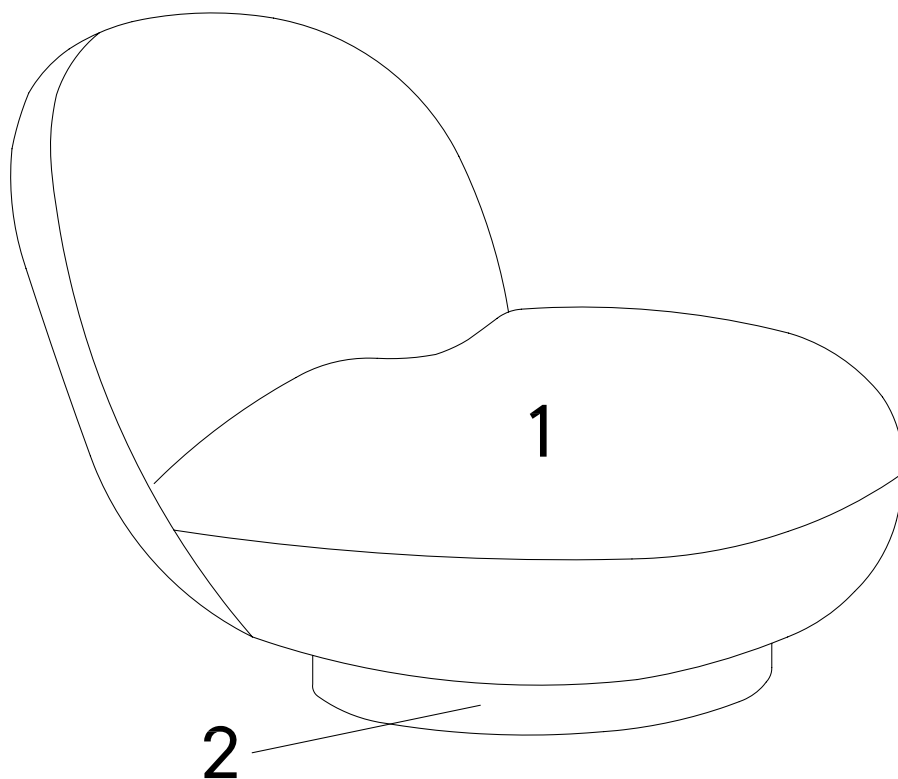
Keep all components and packaging out of reach of children or animals to avoid risk of choking or suffocation.

Furniture components:

1	Chair Body	x1
2	Swivel Base	x1

Provided hardware:

A	 Bolt M6 x 30mm	x4
B	 Spring Washer	x4
C	 Flat Washer	x4
D	 Allen Wrench	x1



Wait!

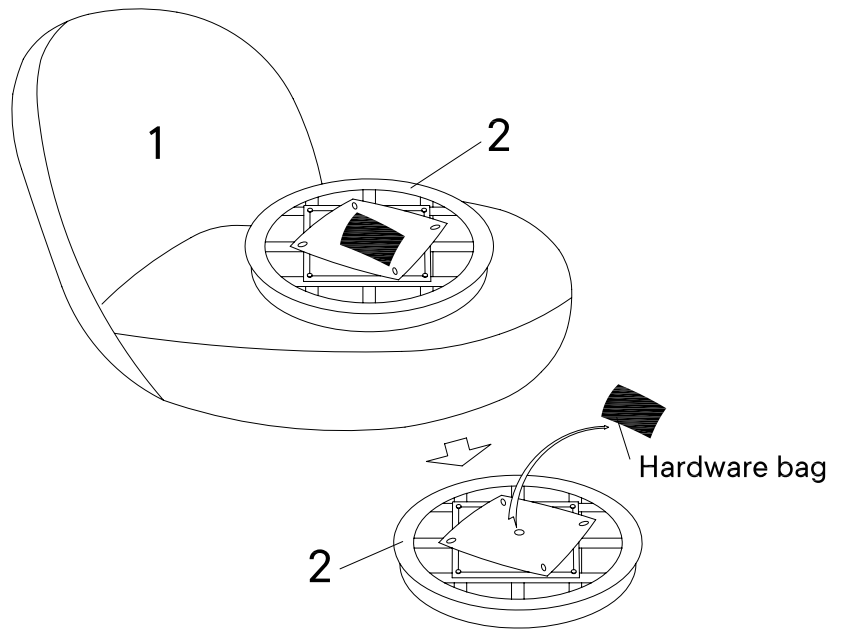
Missing parts or hardware? Need assistance?

Contact us before returning your item. We're here to help!
609.256.9000 • cs@modway.com

Step 1

COMPONENTS

- | | | |
|---|-------------|----|
| 1 | Chair Body | x1 |
| 2 | Swivel Base | x1 |



Step 2

HARDWARE

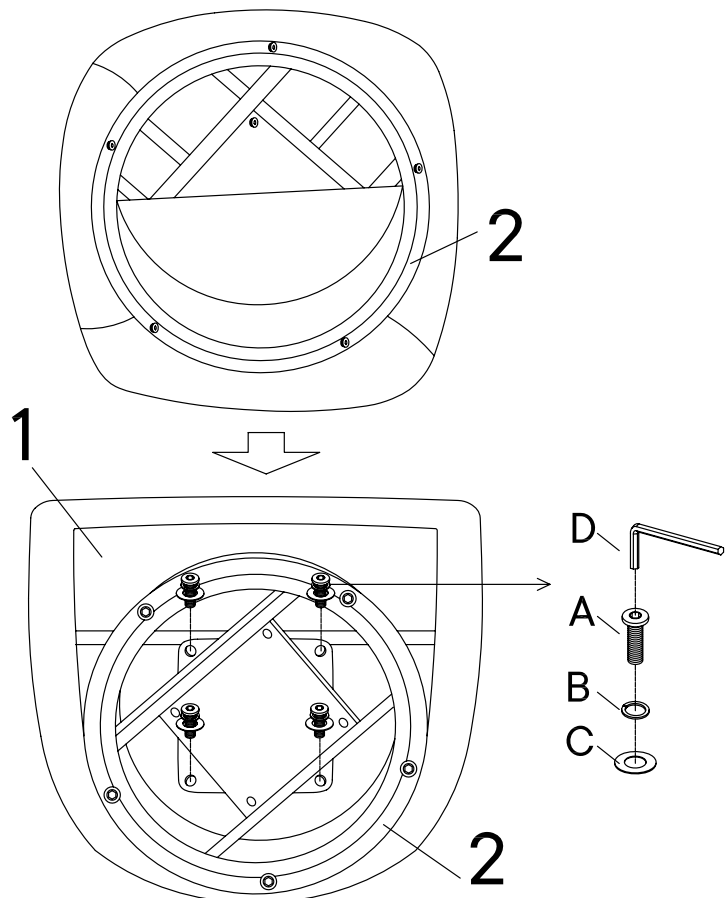
- | | | |
|---|----------------|----|
| A | Bolt M6 x 30mm | x4 |
| B | Spring Washer | x4 |
| C | Flat Washer | x4 |

COMPONENTS

- | | | |
|---|-------------|----|
| 1 | Chair Body | x1 |
| 2 | Swivel Base | x1 |

TOOLS

- | | | |
|---|--------------|----|
| D | Allen Wrench | x1 |
|---|--------------|----|



Great job!

Swivel chair assembly is complete and ready to enjoy.

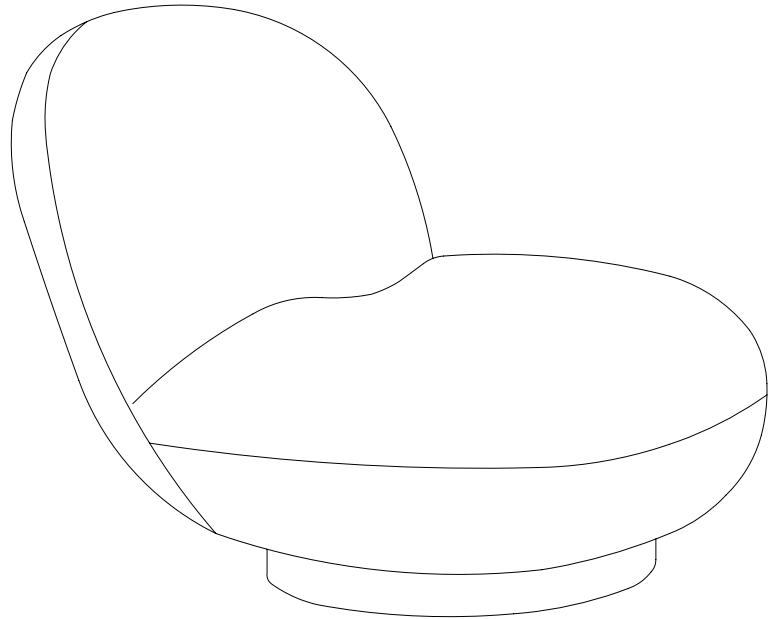
♥ CARING FOR YOUR ITEM

Indoor use only.

Not contract grade.

Clean using a non-abrasive cloth and a mild cleaner.

Never use harsh chemicals, as they could damage the finish or integrity of the item.



CONNECT WITH US!

Tag us [@modway_furniture](#) and [#modway](#) for a chance to be featured.