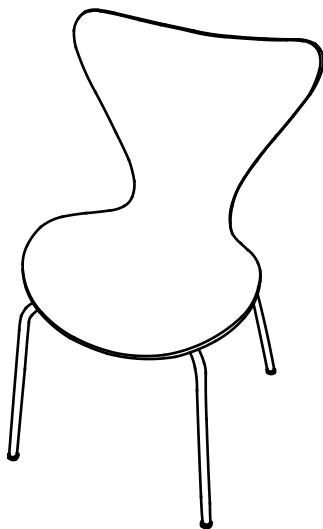










Thank you for purchasing the **MODWAY CHAIR!**

Before you start, here is some helpful advice:

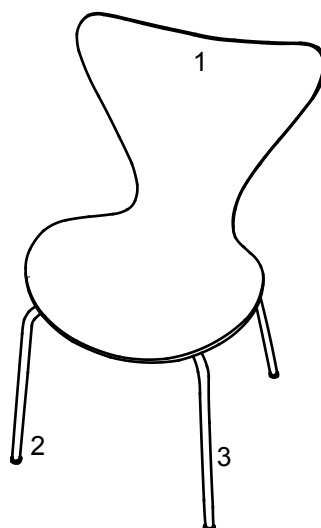
1. We suggest you spend a short time reading through this leaflet and then follow the simple step-by-step instructions.
2. Owing to the size and weight of the dining chair, we recommend that it is assembled by two adults, on a carpeted or padded area, in the room that it is intended for. Approximate assembly time: 30 minutes.
3. Please do not use any tools other than those provided or recommended in these instructions.
4. Please do not throw away any of the packaging or instructions until you have checked all the components and hardware and the furniture is fully assembled.
5. Assemble all components loosely until advised to tighten. Depending on use, it may be necessary to tighten the components from time to time, so please save the tools that have been provided.
6. Please keep all pieces out of reach of children.



### Hardware:

A		Medium Bolt M6x27mm	x 4
B		Short Bolt M6x20mm	x 1
C		Long Bolt M6x35 mm	x 4
D		Nut M6	x 5
E		Metal Support	x 2
F		Allen Wrench M4	x 1
G		Plastic Washer	x 4
H		Door Mat	x 4

### Component:



1 Chair Body x1

2 Chair Leg x1

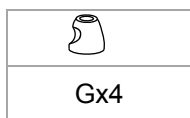
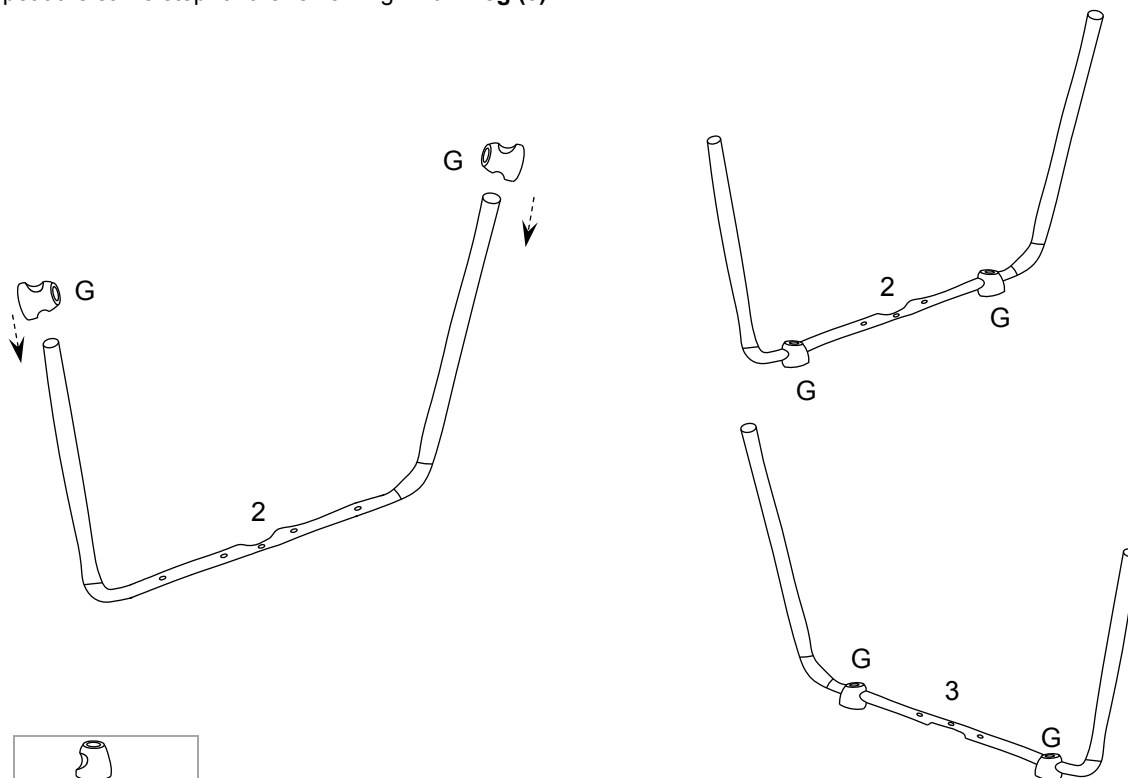
3 Chair Leg x1

## STEP 1:

Insert 2 pieces of **Plastic Washer (G)** into the end of **Chair Leg (2)** as shown.

Move the **Plastic Washer (G)** on the right Position, and make sure the holes on **Plastic Washer (G)** align to the holes on **Chair Leg (2)**.

Repeat the same step for the remaining **Chair Leg (3)**.

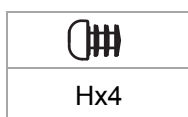
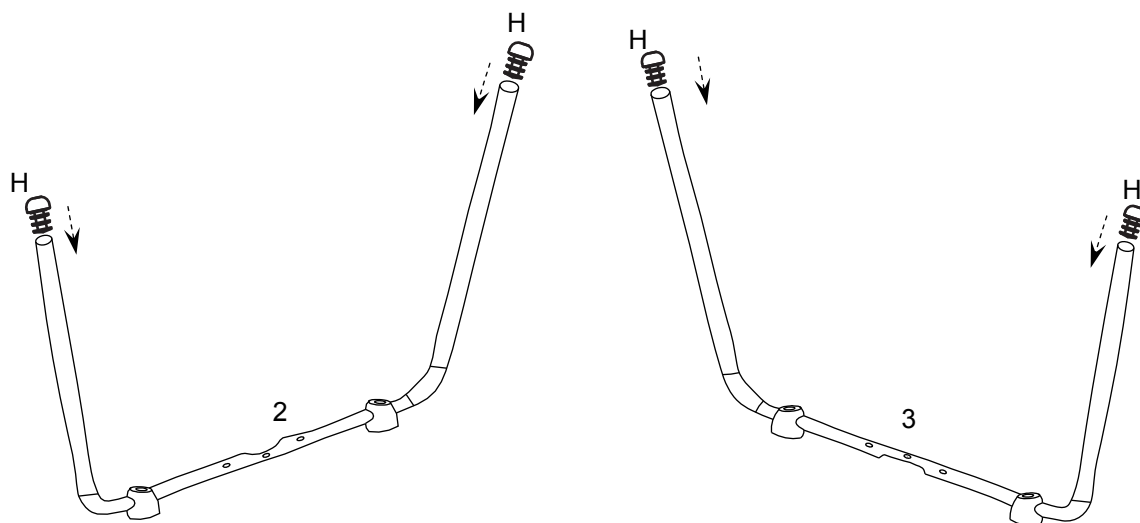


Hardware & Tool required

## STEP 2:

Insert 2 pieces of **Leg Cover (H)** into the bottom of **Chair Leg (2)** as shown.

Repeat the same step for the remaining **Chair Leg (3)**.



Hardware & Tool required

## STEP 1:

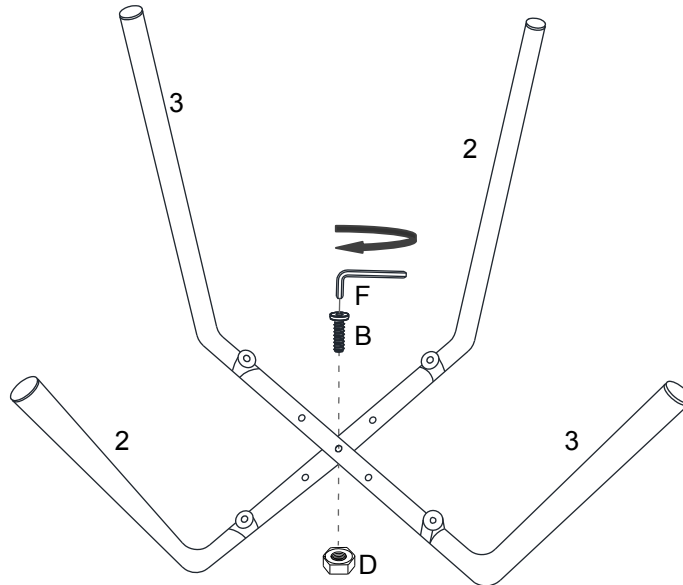
Please put **Chair Legs (2&3)** upside down on a carpeted or padded area.

Place **Chair Leg (3)** to the bottom of **Chair Leg (2)** as shown.

Insert 1 piece of **Short Bolt (C)** through the holes on **Chair Leg (3)** into **Chair Leg (2)** as shown.

Secure 1 piece of **Nut (D)** into **Short Bolt (B)** by hand.

Use **Allen Wrench (F)** to tighten **Short Bolt (B)** clockwise until secure.



Bx1	Dx1	Fx1

Hardware & Tool required

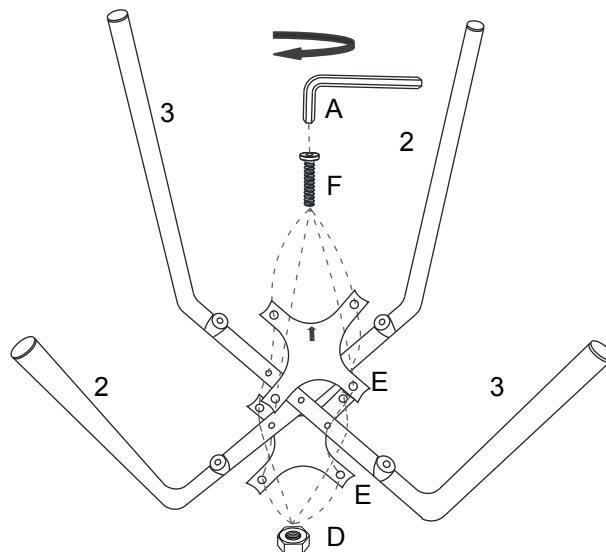
## STEP 2:

Place 1 piece of **Metal Support (E)** under the assembled **Chair Legs (2&3)**, and the other piece of **Metal Support (E)** on top of **Chair Legs (2&3)** as shown.

Insert 4 pieces of **Medium Bolt (A)** through the holes on bottom **Metal Support (E)** and **Chair Leg (2&3)** into the holes on top **Metal Support (E)** as shown.

Secure 4 pieces of **Nut (D)** into **Medium Bolts (A)** by hand.

Use **Allen Wrench (F)** to tighten **Medium Bolts (A)** clockwise until secure.



Ax4	Dx4	Ex2	Fx1

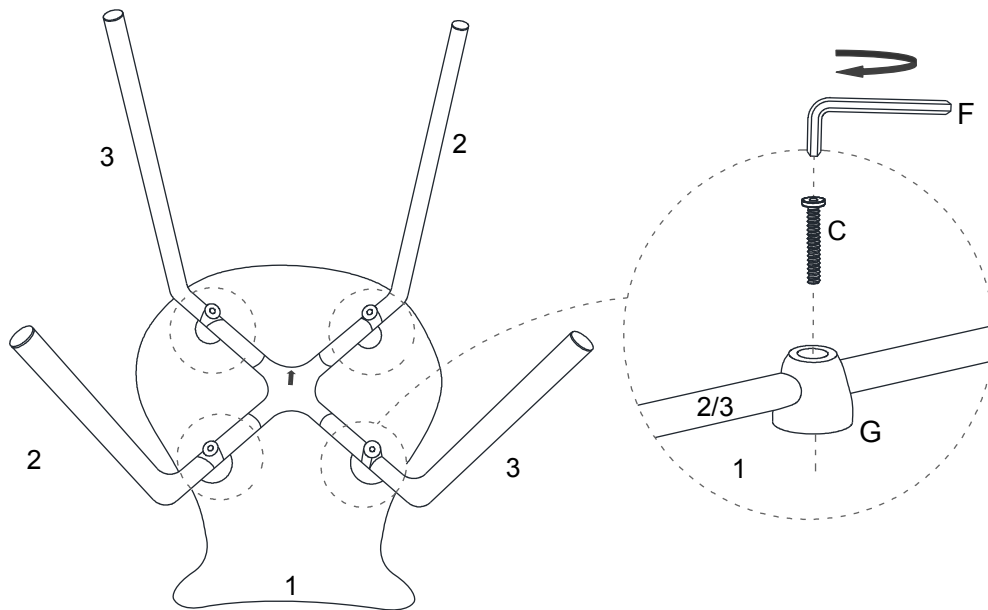
Hardware & Tool required



### STEP 3:

Place the assembled **Chair Legs (2&3)** to the bottom of **Chair Body (1)** as shown.

Attach by using 4 pieces of **Long Bolt (C)** as shown.

Use **Allen Wrench (F)** to tighten **Long Bolts (C)** clockwise until secure.

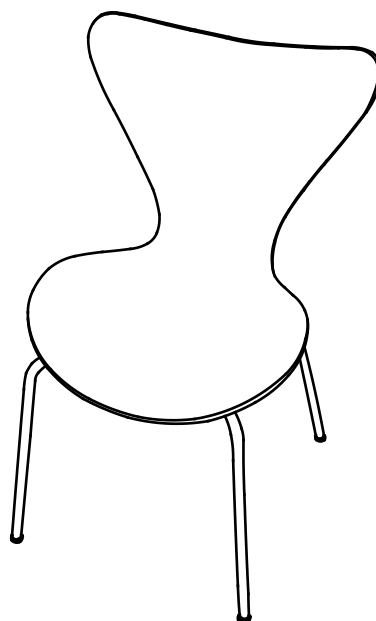


	
Cx4	Fx1

Hardware & Tool required

### STEP 4:

Carefully turn over the assembled chair.



Assembly is complete. Your chair is ready to be enjoyed now!