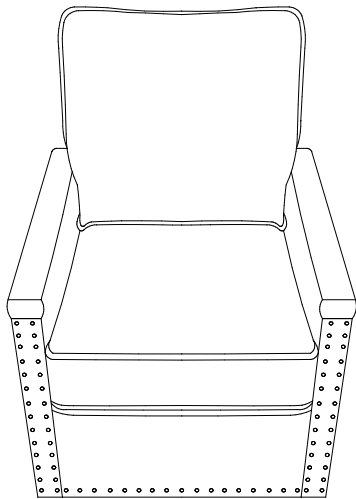


Thank you for purchasing the **MODWAY SOFA!**

Before you start, here are some helpful advice:

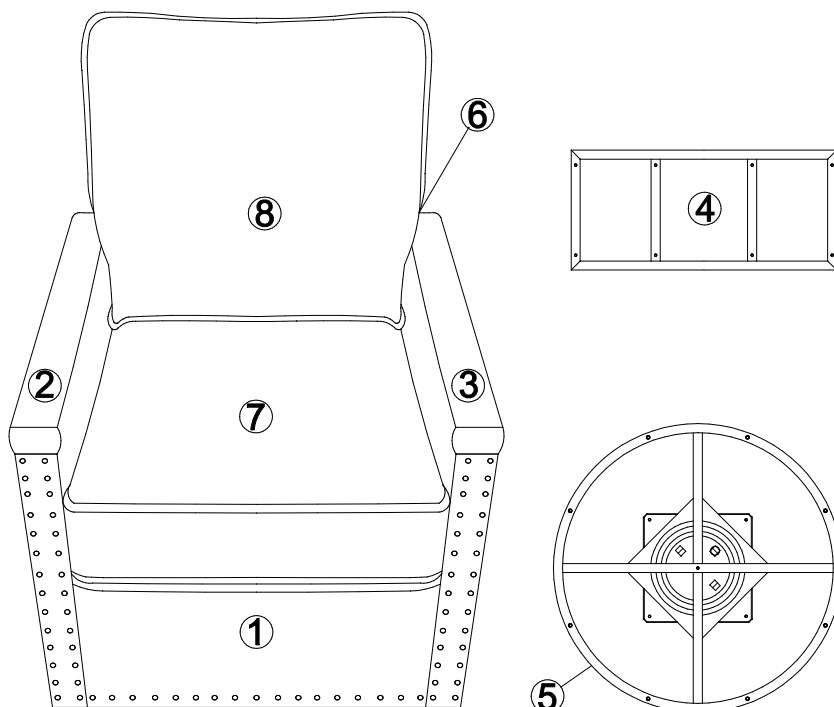
1. We suggest you spend a short time reading through this leaflet and then follow the simple step-by-step instructions.
2. Owing to the size and weight of the sofa, we recommend that it is assembled by two adults, on a carpeted or padded area, in the room that it is intended for. Approximate assembly time: 30 minutes.
3. Please do not use any tools other than those provided or recommended in these instructions.
4. Please do not throw away any of the packaging or the instruction until you have checked all the components and hardware and the furniture is fully assembled. Please ensure that the packaging is disposed of in a safe and environmentally friendly way.
5. Assemble all components loosely until advised to tighten. Depending on use, it may be necessary to tighten the components from time to time, so please save the tools that have been provided.
6. Please keep all pieces out of reach of children.



Hardware:

- | | | | |
|----|--|----------------|-----|
| A. | | Bolt M6x40mm | x8 |
| B. | | Bolt M6x50mm | x4 |
| C. | | Bolt M6x25mm | x4 |
| D. | | Flat Washer M6 | x16 |
| E. | | Allen Wrench | x1 |

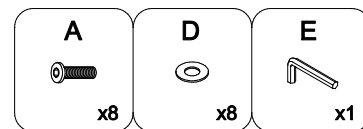
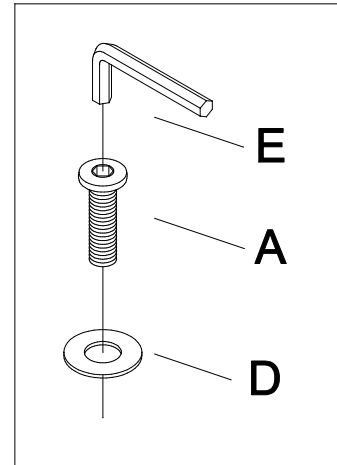
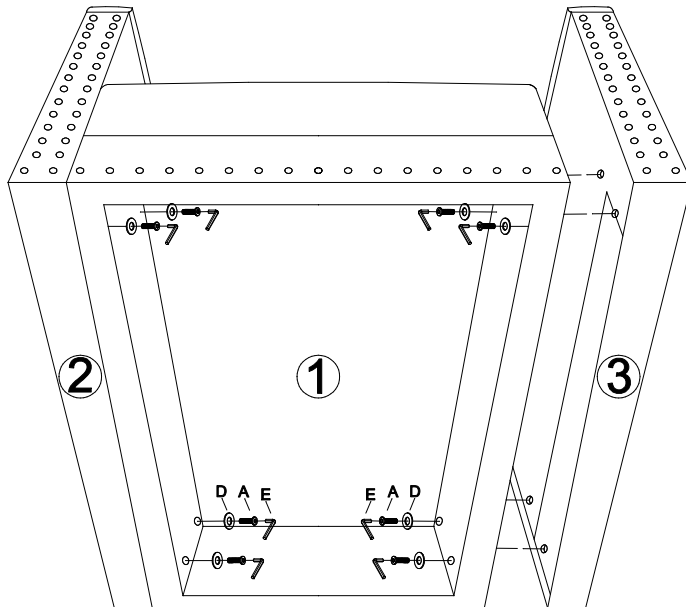
Components:



- | | | | | | | | |
|---------------|----|--------------|----|-----------------|----|-----------------|----|
| 1. Sofa Seat | x1 | 2. Left Arm | x1 | 3. Right Arm | x1 | 4. Metal Frame | x1 |
| 5. Metal Disc | x1 | 6. Sofa Back | x1 | 7. Seat Cushion | x1 | 8. Back Cushion | x1 |

STEP 1:

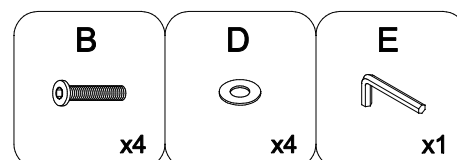
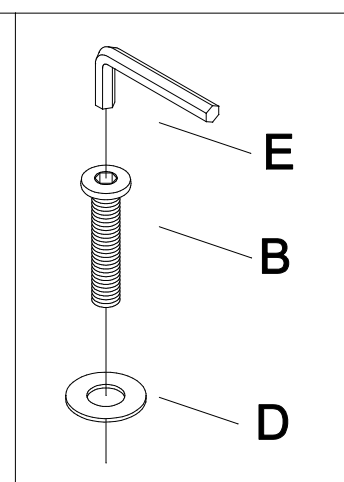
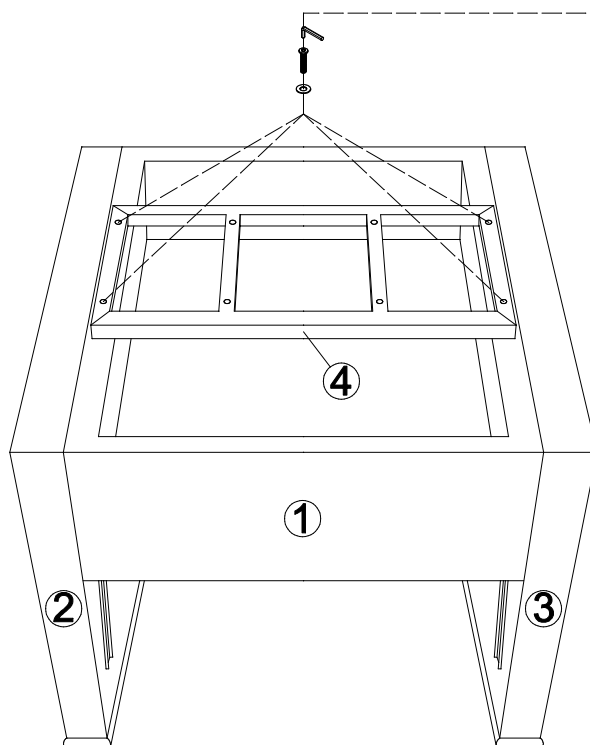
1. Put **Sofa Seat (1)**, **Left Arm (2)** and **Right Arm (3)** backside down on a carpeted or padded surface.
2. Insert 8 pieces of **Bolts (A)** with 8 pieces of **Flat Washers (D)** into the pre-drilled holes on **Left Arm (2)** / **Right Arm (3)** through the pre-drilled holes on inner side of the bottom of **Sofa Seat (1)** as shown.
3. Use **Allen Wrench (E)** to tighten **Bolts (A)** clockwise until secure.



Hardware & Tools Required

STEP 2:

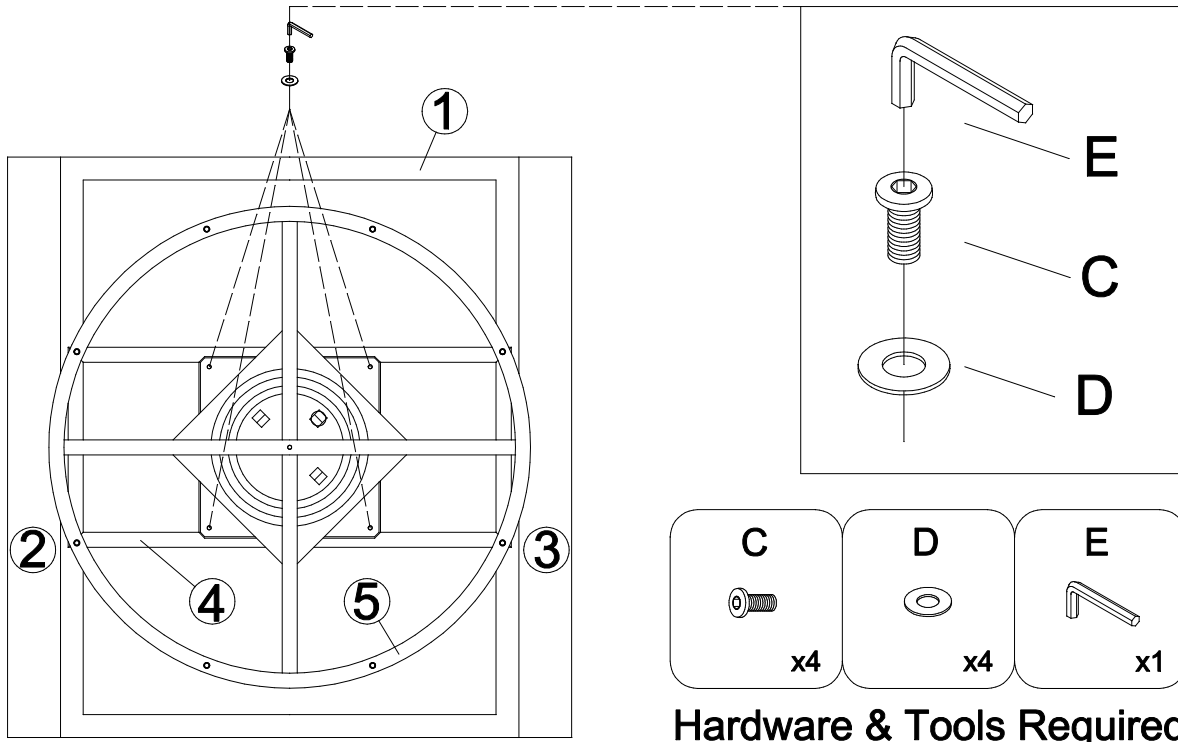
1. Put the assembled **Sofa Seat (1)**, **Left Arm (2)** and **Right Arm (3)** backside down on a carpeted or padded surface.
2. Place **Metal Frame (4)** on the bottom of **Sofa Seat (1)** as shown.
3. Insert 4 pieces of **Bolts (B)** with 4 pieces of **Flat Washers (D)** into the pre-drilled holes on **Metal Frame (4)** through the pre-drilled holes on the bottom of **Sofa Seat (1)** as shown.
4. Use **Allen Wrench (E)** to tighten **Bolts (B)** clockwise until secure.



Hardware & Tools Required

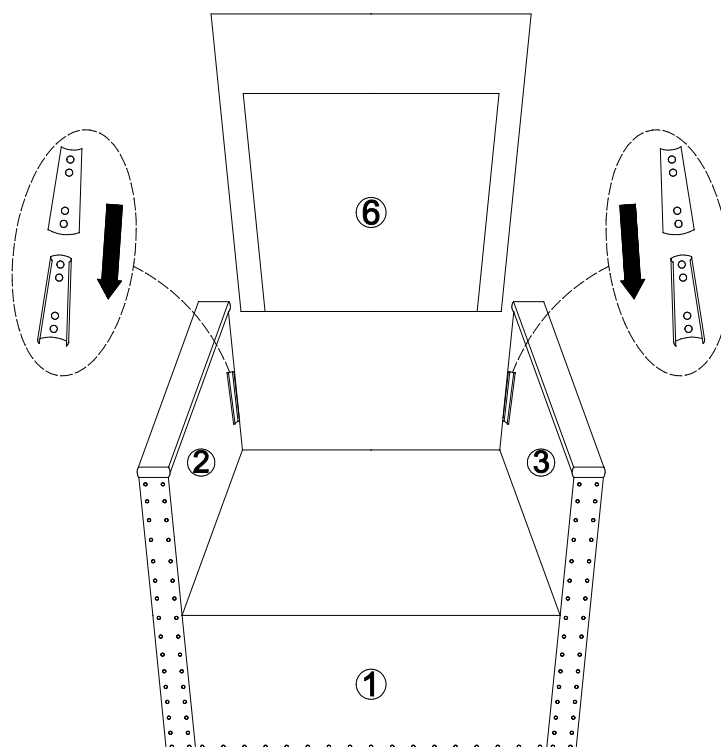
STEP 3:

2. Place **Metal Disc (5)** on the bottom of **Metal Frame (4)** as shown.
3. Insert 4 pieces of **Bolts (C)** with 4 pieces of **Flat Washers (D)** into the pre-drilled holes on **Metal Disc (5)** through the pre-drilled holes on the bottom of **Metal Frame (4)** as shown.
4. Use **Allen Wrench (E)** to tighten **Bolts (C)** clockwise until secure.



STEP 4:

1. Please carefully turn over the assembled **Sofa Seat (1)**, **Left Arm (2)** and **Right Arm (3)**.
2. Place **Sofa Back (6)** to the assembled **Sofa Seat (1)**, **Left Arm (2)** and **Right Arm (3)** as shown.
3. Insert **Sofa Back (6)** to **Left Arm (2)** and **Right Arm (3)** by using the pre-installed Clips on **Left Arm (2)**, **Right Arm (3)** and **Sofa Back (6)** to lock each other as shown.



STEP 5

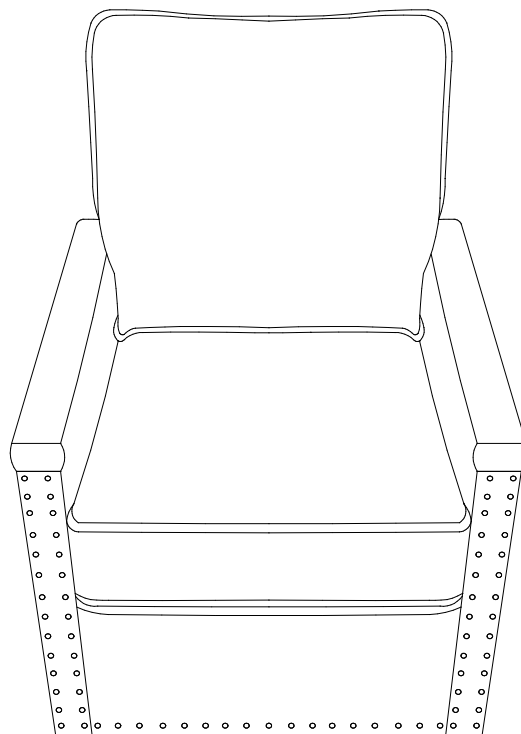
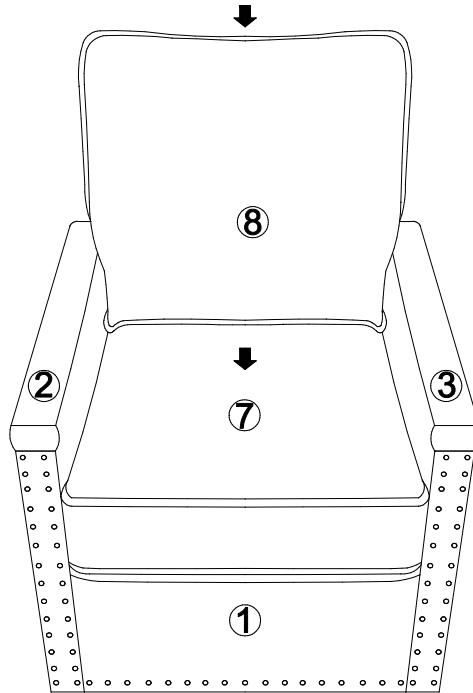
1. Carefully put 1 pieces of **Seat Cushion (7)** and 1 piece of **Back Cushion (8)** to the assembled **Sofa Seat (1)**, **Left Arm (2)**, **Right Arm (3)** and **Sofa Back (6)** as shown.

Note: Please skip STEP 5.2/5.3/5.4 if you assemble EEI-4991 now.

2. Please put **Cover** of **Back Cushion (8)** on a carpeted or padded area and fully open the zippers as shown.

3. Insert **Foam** into **Cover** of **Back Cushion (8)** until the **Foam** are fully embedded into the **Cover** and zip up the **Cover** as shown.

4. Repeat the same steps for the remaining **Seat Cushion (7)**.



Assembly is complete. Your Swivel Chair is ready to enjoy now!