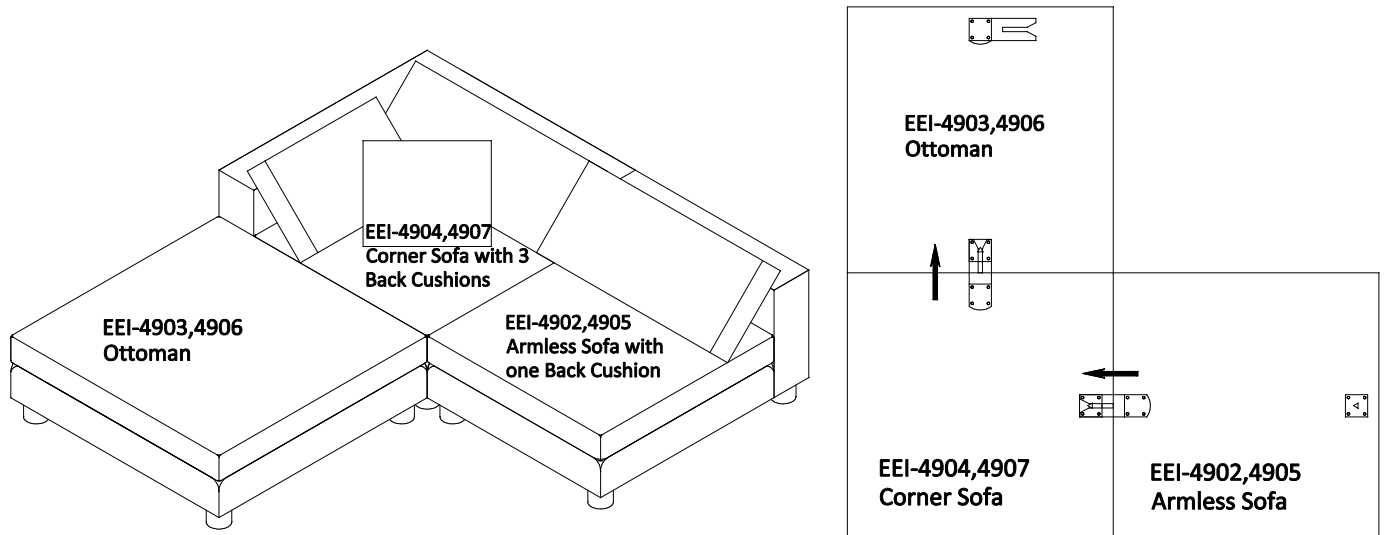


EEI-4903/4906 Ottoman with EEI-4902/4905 Armless Sofa, EEI-4904/4907 Corner Sofa have three Combination of options as shown below.

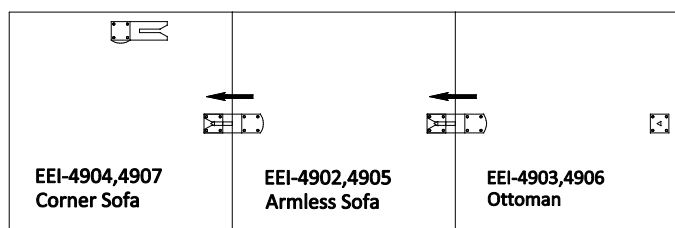
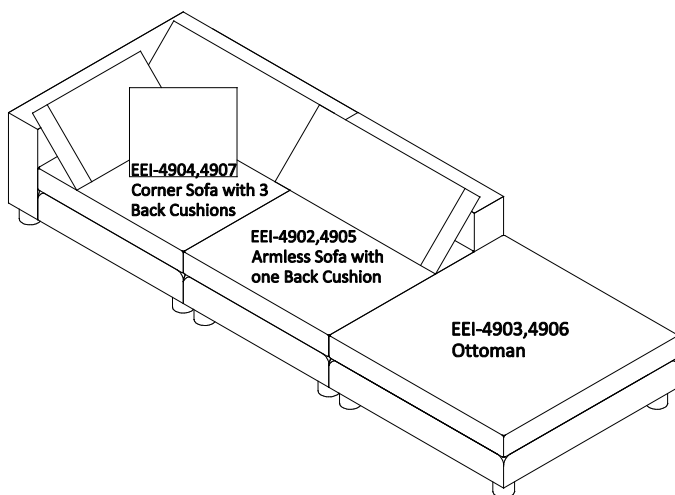
Option A: Align the pre-installed Clip to the pre-installed Post as shown.

Push **EEI-4903/4906 Ottoman**, **EEI-4902/4905 Armless Sofa** and **EEI-4904/4907 Corner Sofa** slowly until the Clip and the Post click together tightly.

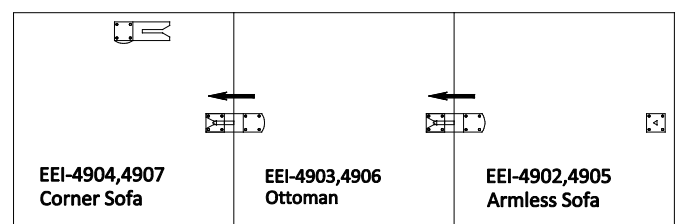
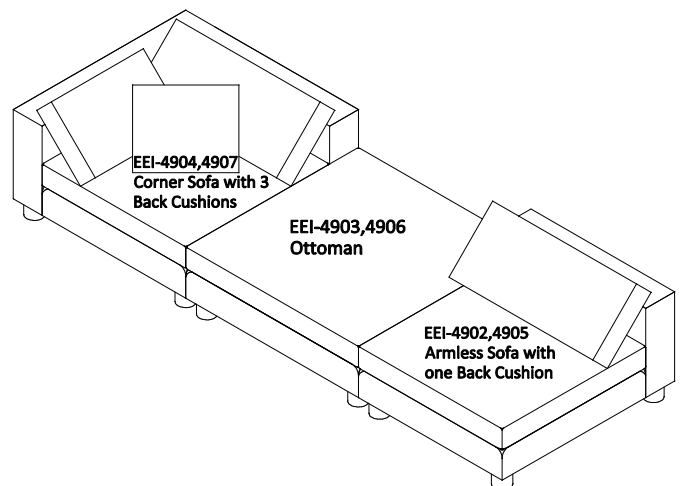


If you want to unlock the sofa combination: Lift up **EEI-4904/4907 Corner Sofa** and move **EEI-4903/4906 Ottoman** and **EEI-4902/4905 Armless Sofa** apart from **EEI-4904/4907 Corner Sofa**.

Option B :



Option C :



Assembly is complete. The sectional sofa is ready to enjoy now