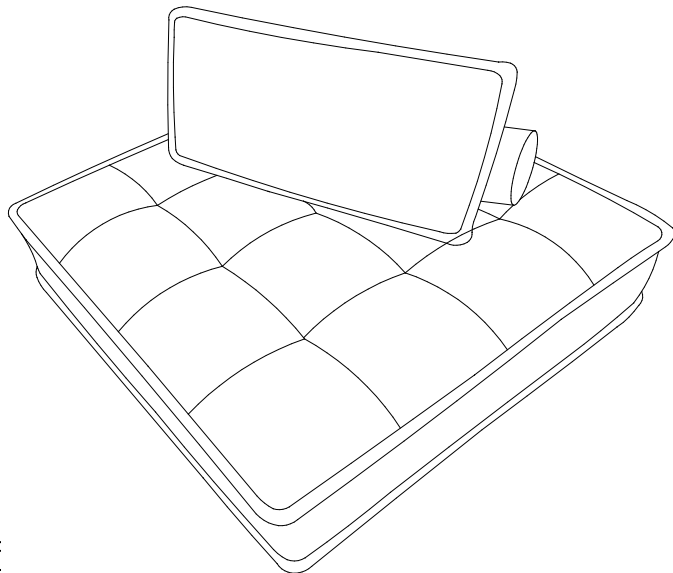


Thank you for purchasing

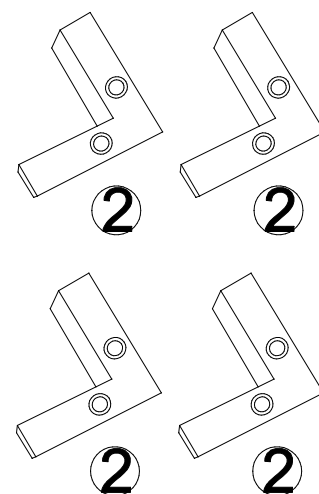
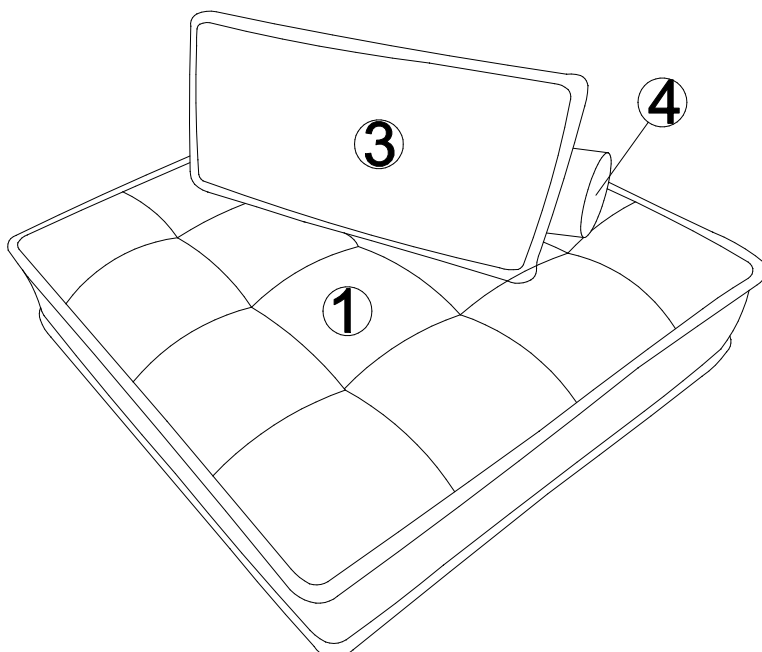
Before you start, here are some helpful advice:

1. We suggest you spend a short time reading through this leaflet and then follow the simple step-by-step instructions.
2. Owing to the size and weight of the ottoman, we recommend that it is assembled by two adults, on a carpeted or padded area, in the room that it is intended for. Approximate assembly time: 20 minutes.
3. Please do not use any tools other than those provided or recommended in these instructions.
4. Please do not throw away any of the packaging or the instruction until you have checked all the components and hardware and the furniture is fully assembled. Please ensure that the packaging is disposed of in a safe and environmentally friendly way.
5. Assemble all components loosely until advised to tighten. Depending on use, it may be necessary to tighten the components from time to time, so please save the tools that have been provided.
6. Please keep all pieces out of reach of children.



Hardware:

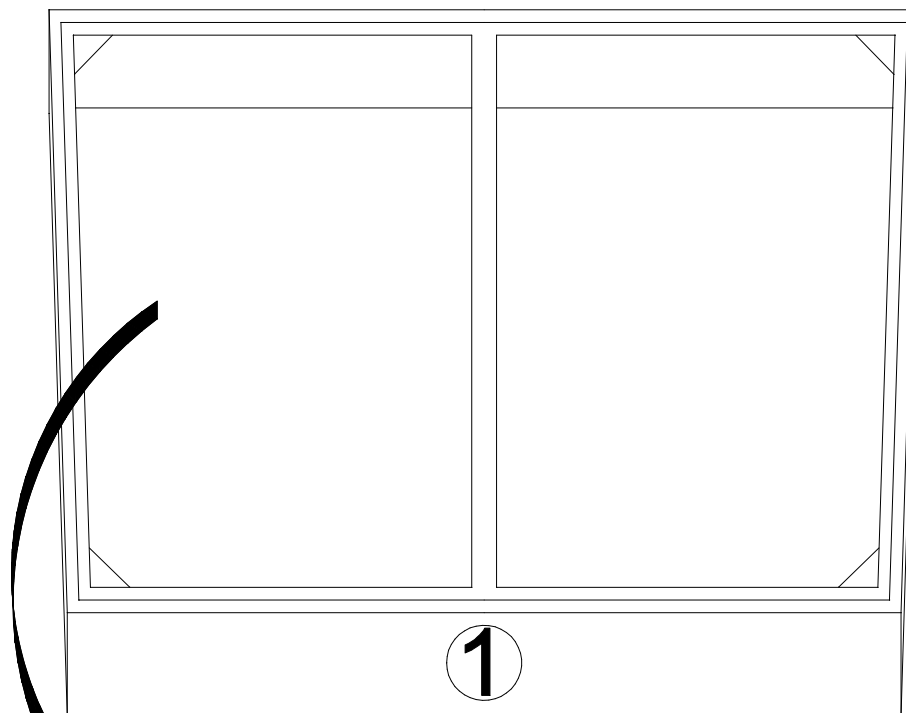
- | | | | |
|----|--|--------------|----|
| A. | | Bolt M8x60mm | x8 |
| B. | | Flat Washer | x8 |
| C. | | Allen Wrench | x1 |



- | | | | | | | | |
|---------|----|--------|----|-----------------|----|------------------|----|
| 1. Body | x1 | 2. Leg | x4 | 3. Back Cushion | x1 | 4. Round Cushion | x1 |
|---------|----|--------|----|-----------------|----|------------------|----|

STEP 1:

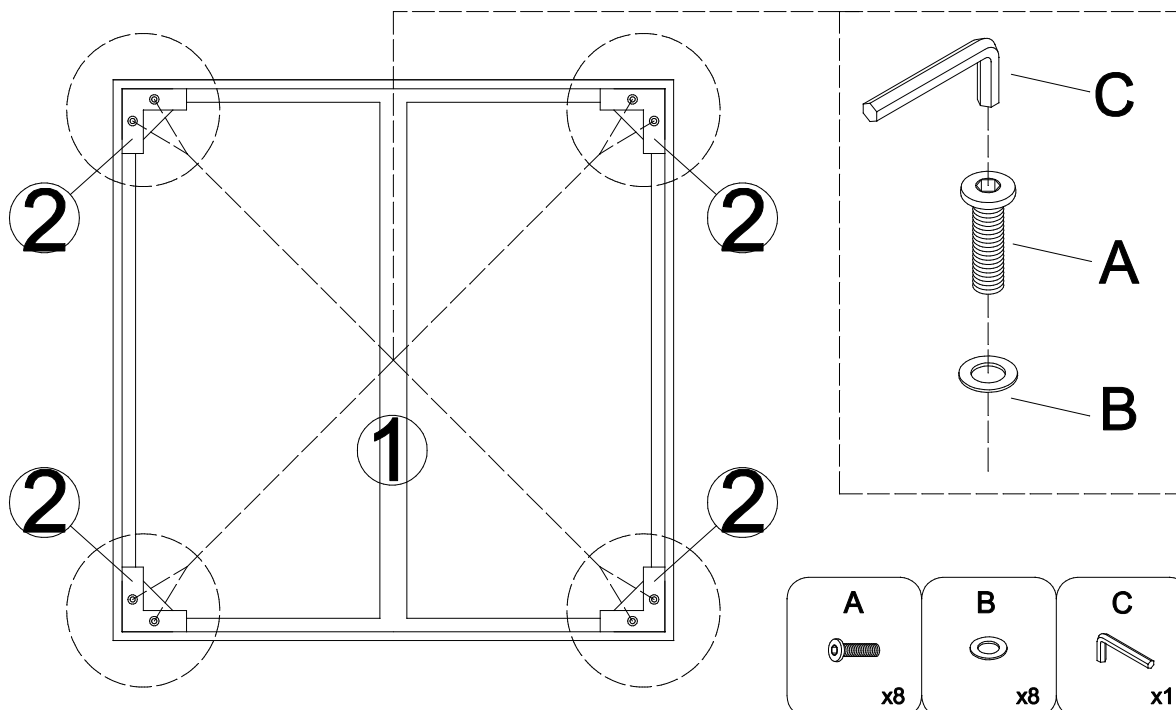
1. Please put **Body (1)** upside down on a carpeted or padded surface.
2. Open the Zipper strip on the bottom of the **Body (1)** and take out 4 pieces of **Legs (2)**, 1 piece of **Back Cushion (3)**, 1 piece of **Round Cushion (4)** and hardware bag.



4 Legs (2) + 1 Back Cushion (3) +
1 Round Cushion (4) + Hardware package

STEP 2:

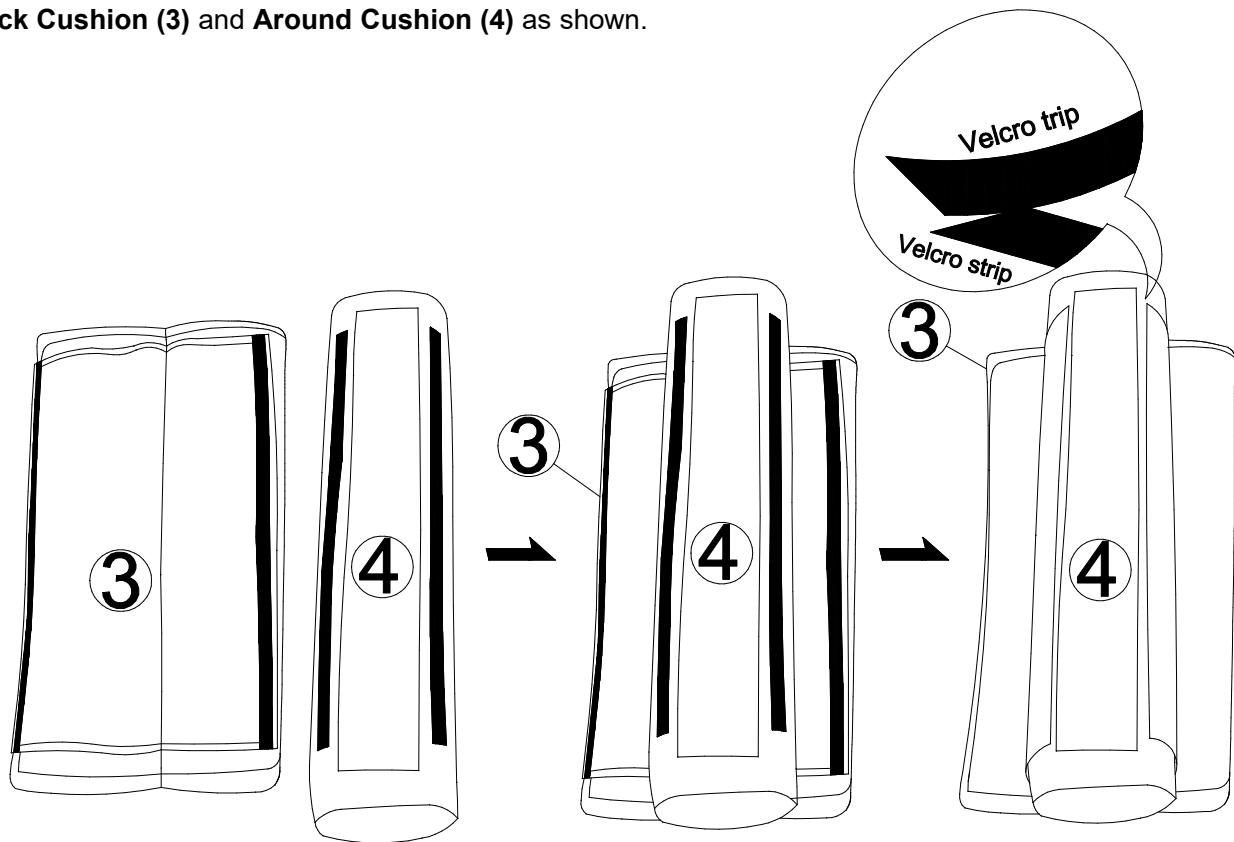
1. Attach 4 pieces of **Legs (2)** to the **Body (1)** by using 8 pieces of **Bolts (A)** with 8 pieces of **Flat Washers (B)** as shown.
3. Use **Allen Wrench (C)** to tighten all **Bolts (A)** clockwise until secure.



Hardware & Tools Required

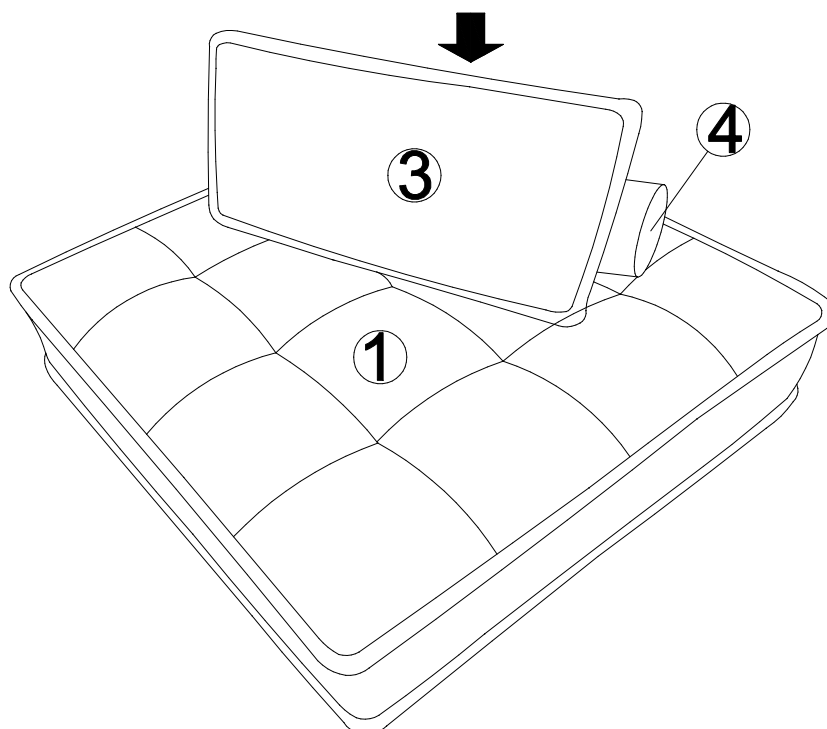
STEP 3:

1. Please put **Back Cushion (3)** and **Round Cushion (4)** upside down on a carpeted or padded surface.
2. Place the **Round Cushion (4)** on the **Back Cushion (3)** as shown.
3. Please Wrap the **Round Cushion (4)** around the **Back Cushion (3)** and fix with the velcro strip on the **Back Cushion (3)** and **Around Cushion (4)** as shown.



STEP 4:

1. Please carefully turn over the **Body (1)**.
2. Carefully put the assembled **Back Cushion (3)** and **Round Cushion (4)** to the **Body (1)** as shown.



Assembly is complete.