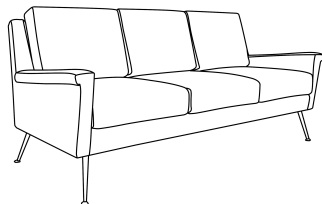


Thank you for purchasing the MODWAY SOFA/ CHAIR.

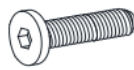



Before you start, here are some helpful advice:

1. We suggest you spend a short time reading through this leaflet and then follow the simple step-by-step instructions.
2. Owing to the size and weight of the sofa/chair, we recommend that it is assembled by two adults, on a carpeted or padded area, in the room that it is intended for. Approximate assembly time: 20 minutes.
3. Please do not use any tools other than those provided or recommended in these instructions.
4. Please do not throw away any of the packaging or the instruction until you have checked all the components and hardware and the furniture is fully assembled. Please ensure that the packaging is disposed of in a safe and environmentally friendly way.
5. Assemble all components loosely until advised to tighten. Depending on use, it may be necessary to tighten the components from time to time, so please save the tools that have been provided.
6. Please keep all fitting out of reach of children.

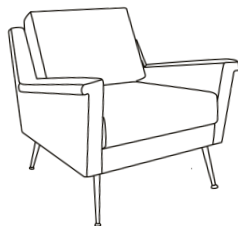
EEI-4627/4628/4629



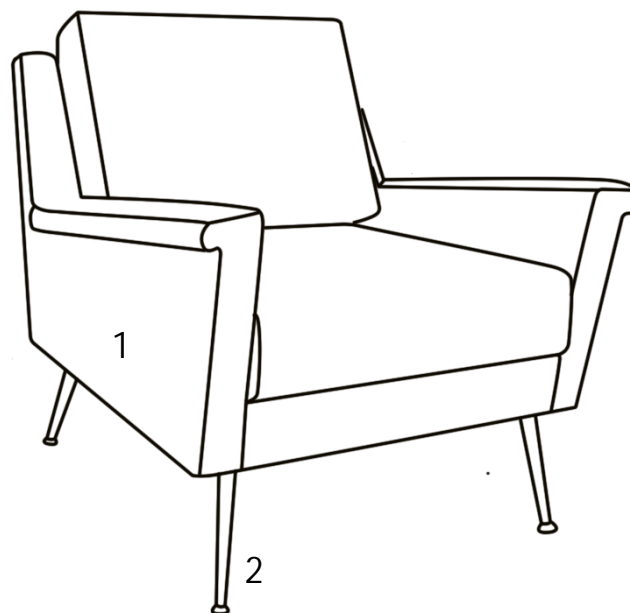
Hardware:

- | | | | |
|----|--|---------------|------|
| A. |  | Bolt M8x30mm | x 12 |
| B. |  | Spring Washer | x 12 |
| C. |  | Flat Washer | x 12 |
| D. |  | Allen Wrench | x 1 |

EEI-4630/4631/4632



Component:

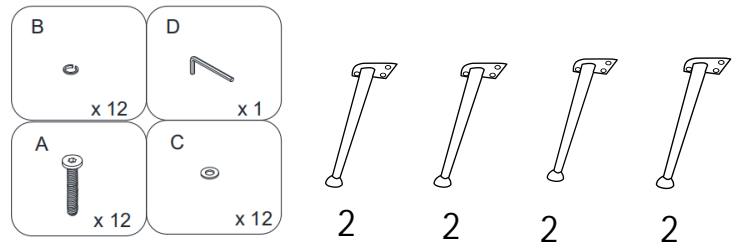
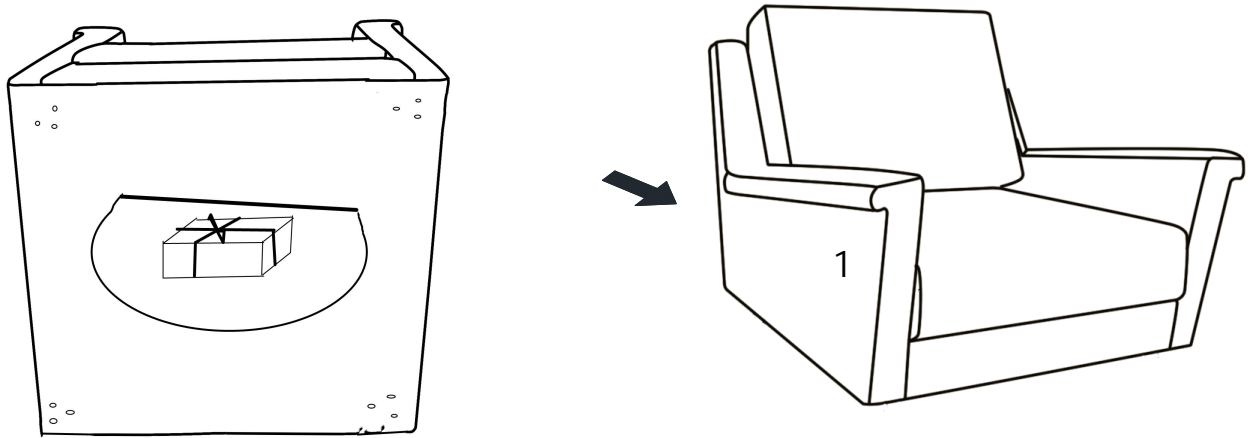


- 1 Chair Body x1 2 Leg x 4

STEP 1:

Please put **Chair Body (1)** on a carpeted or padded surface.

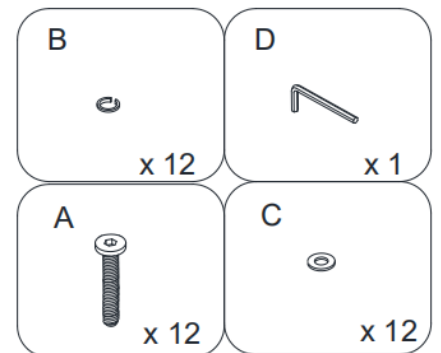
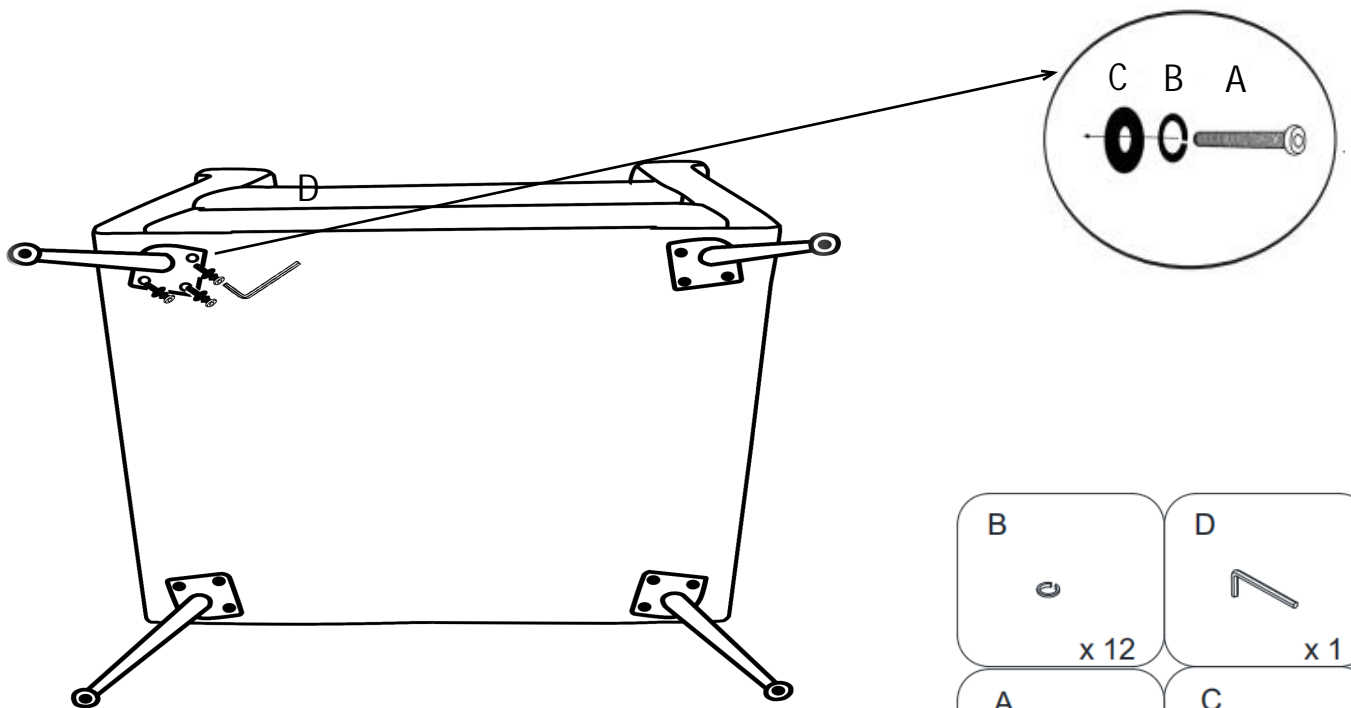
Open the Velcro strip at the bottom of the **Chair Body (1)** and take out the 4 pieces of **Legs (2)** and the hardware package.



STEP 2:

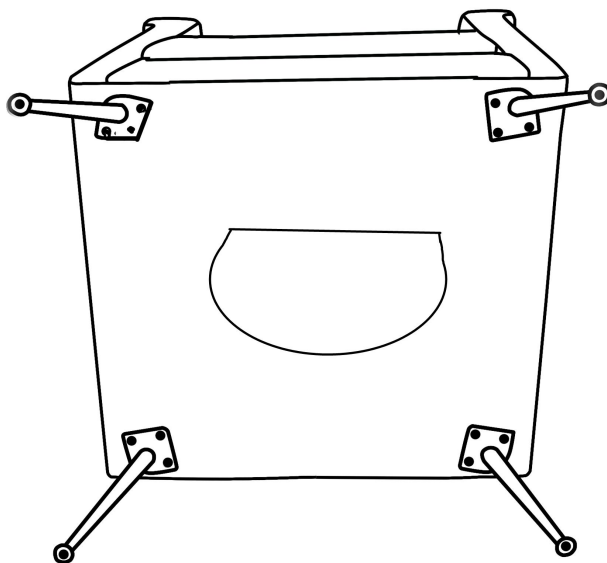
Attach 1 piece of **Leg (2)** to the bottom of **Chair Body (1)** by using 3 pieces of **Bolts (A)** with 3 pieces of **Spring Washers (B)** and 3 pieces of **Flat Washers (C)** as shown.

Tighten **Bolts (A)** by using **Allen Wrench (D)** as shown.



STEP 5:

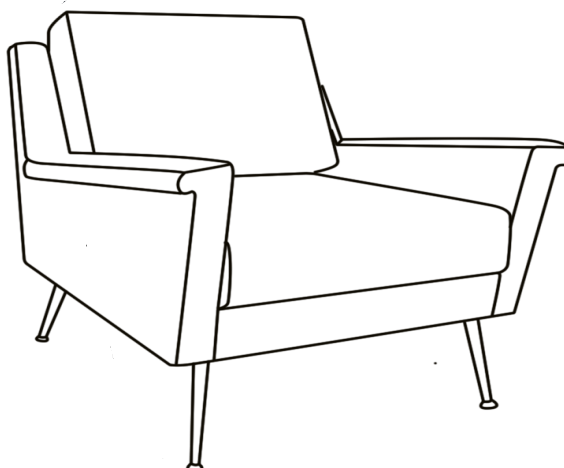
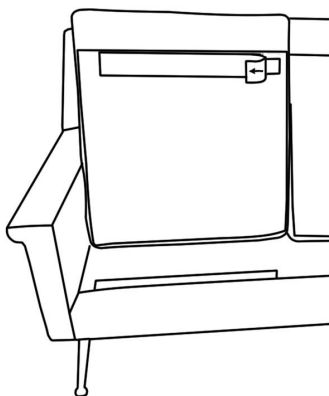
Close the Velcro strip at the bottom of the **Chair Body (1)**



STEP 6:

Carefully turn over the assembled Sofa/Chair. Put the seat cushion on the seat and fix by the Velcro.

Note: Please remove the protection film on the velcro



Assembly is complete. Your Sofa/Chair is ready to be used now!