

ASSEMBLY INSTRUCTIONS

EEI-4571,4572,4573

V1.07.01.21



Questions? Contact us!

609.256.9000 • cs@modway.com
www.modway.com

*modway



Read through all of the instructions before starting



Care instructions are listed in the last step of this manual



Approx. 30 minutes assembly time



Make sure you have all parts and components before discarding any packing materials



2 people recommended for assembly

Only use hand tools to assemble this item. Do not use power tools. Do not tighten bolts completely until all hardware is lined up and inserted into the holes.

Do not over-tighten bolts to avoid stripping the hardware or cracking the item.

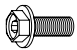

Assemble your item on a flat, carpeted area, with plenty of space to work. This will prevent damage and scratches to your floors or the item while you're assembling the product.

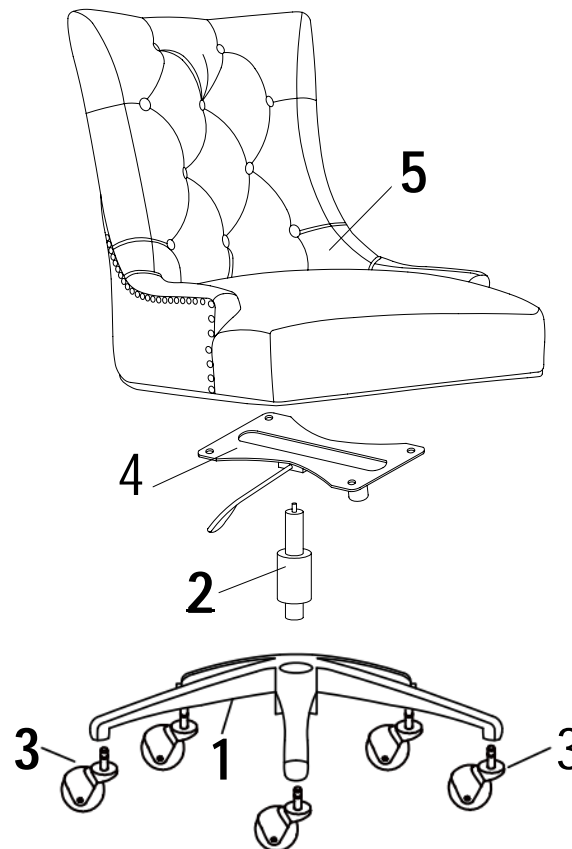
Keep all components and packaging out of reach of children or animals to avoid risk of choking or suffocation.

Furniture components:

1	Base	x1
2	Cylinder Column	x1
3	Castor	x5
4	Control Mechanism	x1
5	Chair Body	x1

Provided hardware:

A		Bolt M6 x 25mm	x4
B		Allen Wrench	x1



Wait!

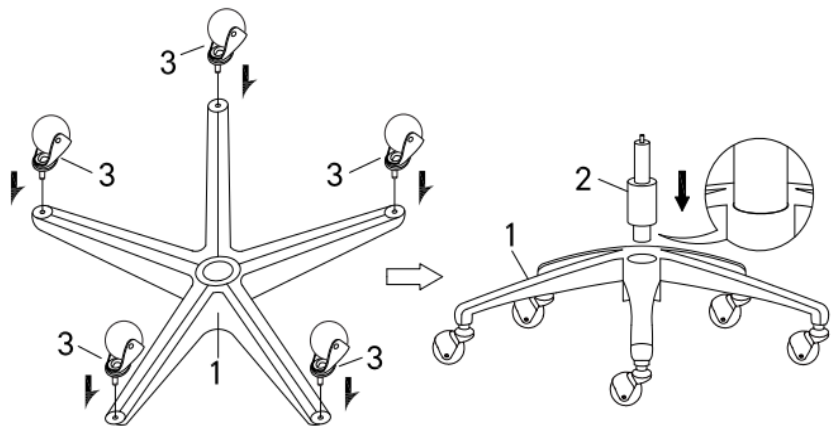
Missing parts or hardware? Need assistance?

Contact us before returning your item. We're here to help!
609.256.9000 • cs@modway.com

Step 1

COMPONENTS

1	Base	x1
2	Cylinder Column	x1
3	Castor	x5



Step 2

HARDWARE

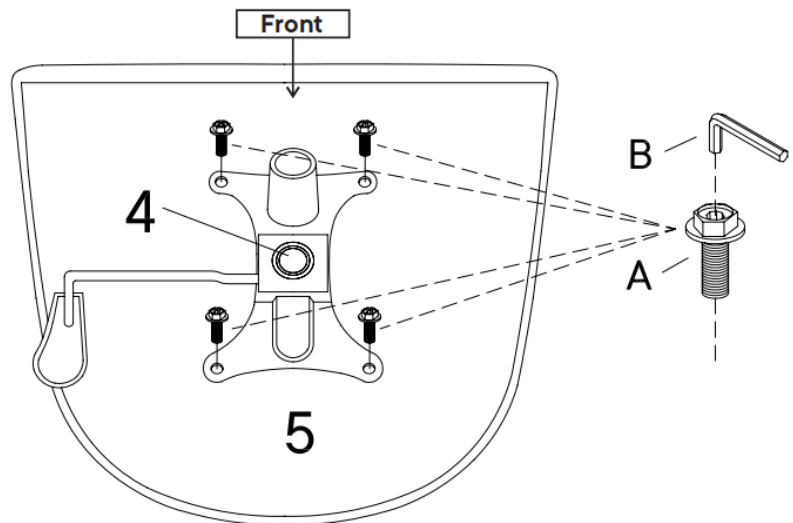
A	Bolt M6 x 25mm	x4
---	----------------	----

COMPONENTS

4	Control Mechanism	x1
5	Chair Body	x1

TOOLS

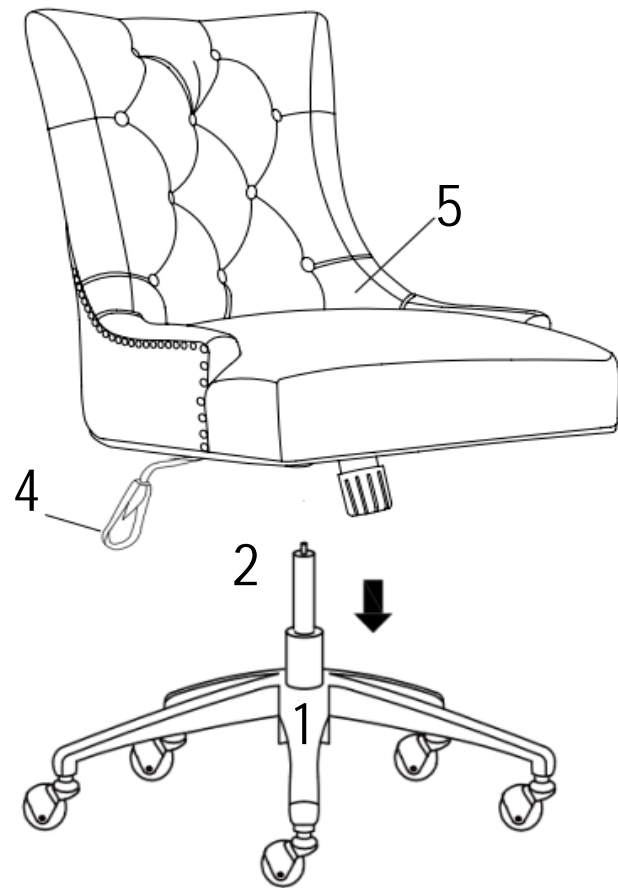
B	Allen Wrench	x1
---	--------------	----



Step 3

COMPONENTS

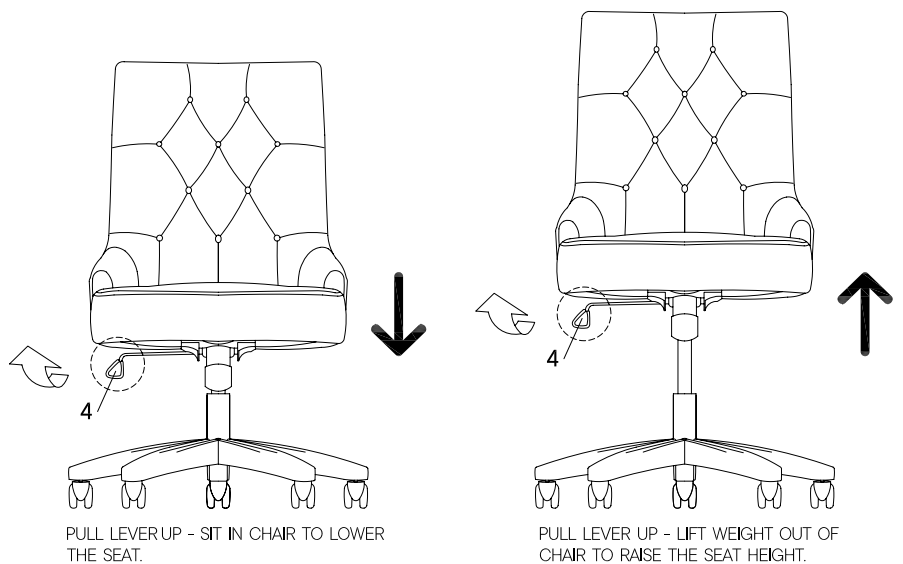
- 2 Cylinder Column x1
- 4 Control Mechanism x1
- 5 Chair Body x1



Step 4

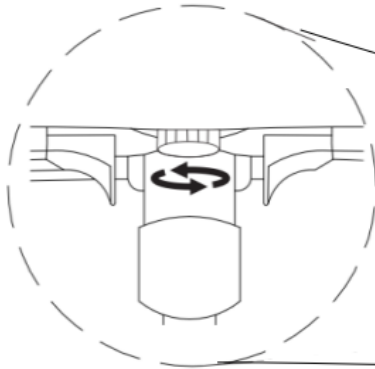
COMPONENTS

- 4 Control Mechanism x1



Step 5

Tilting Adjustment



Note: Reach under the front center of the chair, grasp the round knob and turn counterclockwise to make the tilt mechanism knob clockwise until the desired resistance is found.



Great job!

Your chair is complete and ready to enjoy.

♥ CARING FOR YOUR ITEM

Indoor use only.

Not contract grade.

Clean using a non-abrasive cloth and a mild cleaner.

Never use harsh chemicals, as they could damage the finish or integrity of the item.



CONNECT WITH US!   

Tag us @modway_furniture and #modway for a chance to be featured.