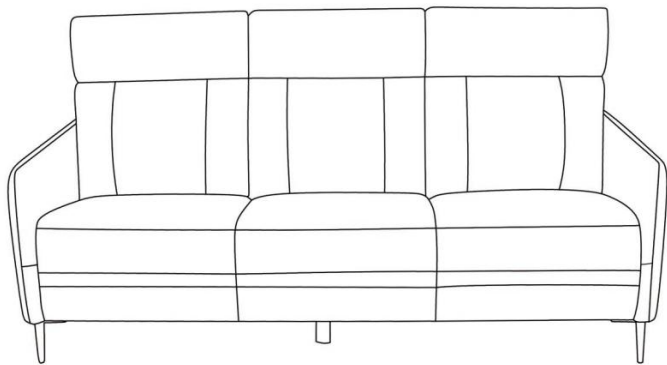


Thank you for purchasing the **MODWAY SOFA**

Before you start, here are some helpful advice:

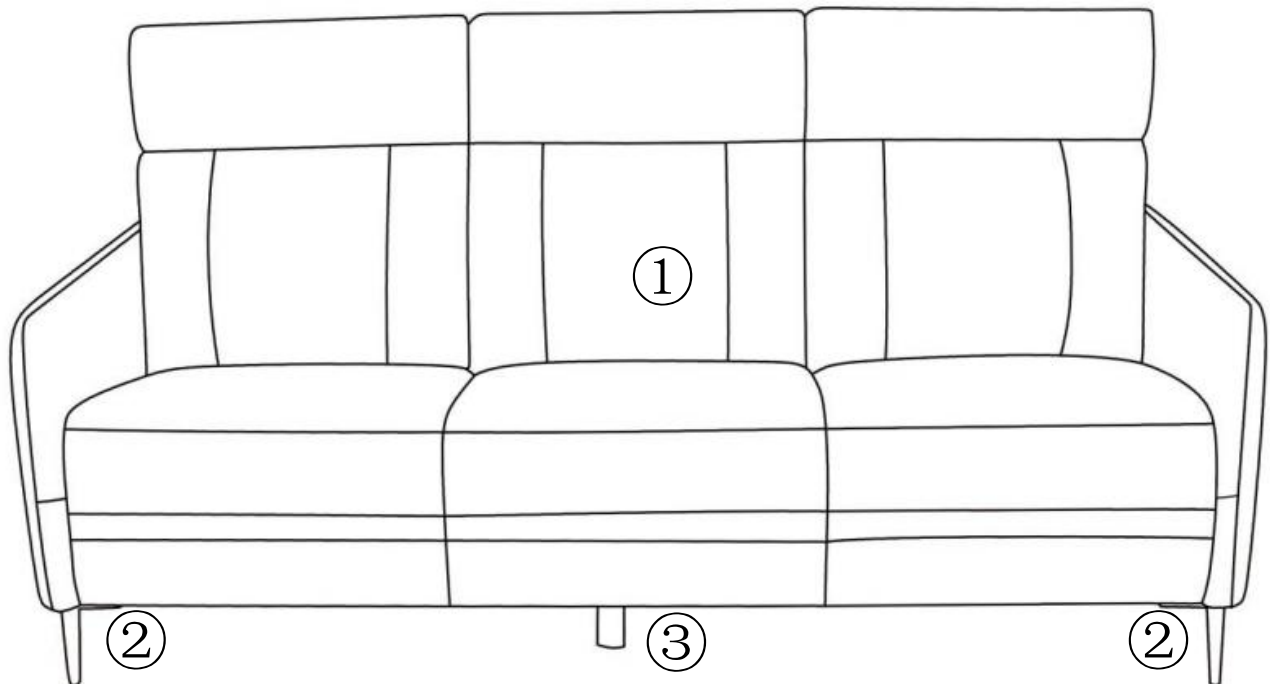
1. We suggest you spend a short time reading through this leaflet and then follow the simple step-by-step instructions.
2. Owing to the size and weight of the sofa, we recommend that it is assembled by two adults, on a carpeted or padded area, in the room that it is intended for. Approximate assembly time: 30 minutes.
3. Please do not use any tools other than those provided or recommended in these instructions.
4. Please do not throw away any of the packaging or the instruction until you have checked all the components and hardware and the furniture is fully assembled. Please ensure that the packaging is disposed of in a safe and environmentally friendly way.
5. Assemble all components loosely until advised to tighten. Depending on use, it may be necessary to tighten the components from time to time, so please save the tools that have been provided.
6. Please keep all pieces out of reach of children.



Hardware:

A.	Bolt M8x45mm	x16
B.	Flat Washer 8#	x16
C.	Allen Wrench M5	x1

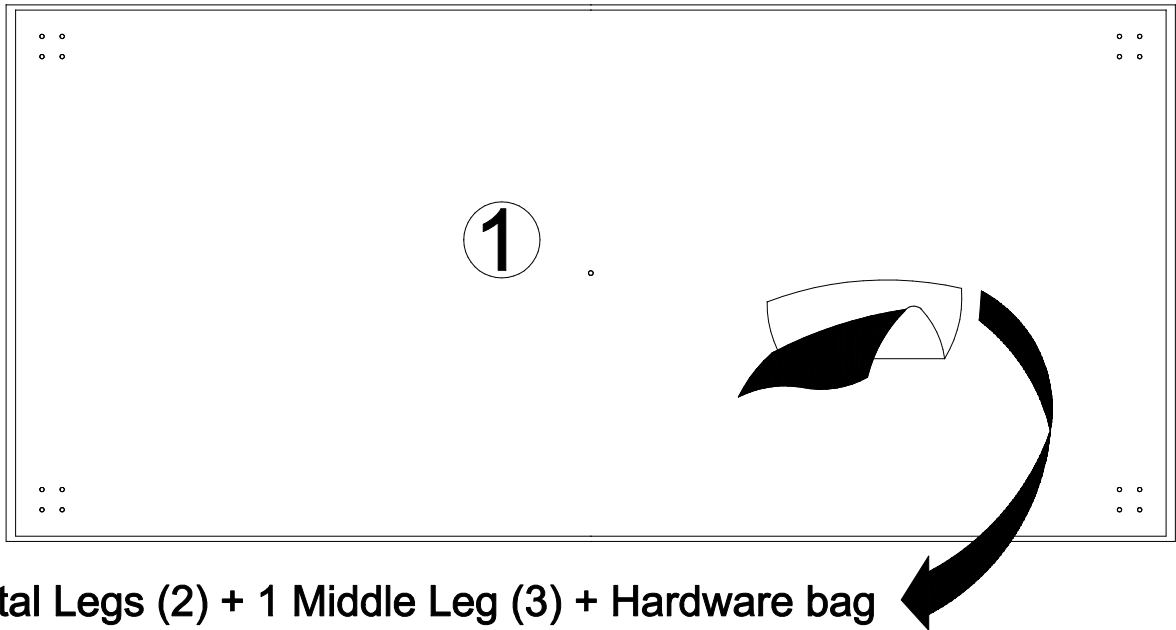
Components:



1. Sofa Body	x1	2. Metal Leg	x4	3. Middle Leg	x1
--------------	----	--------------	----	---------------	----

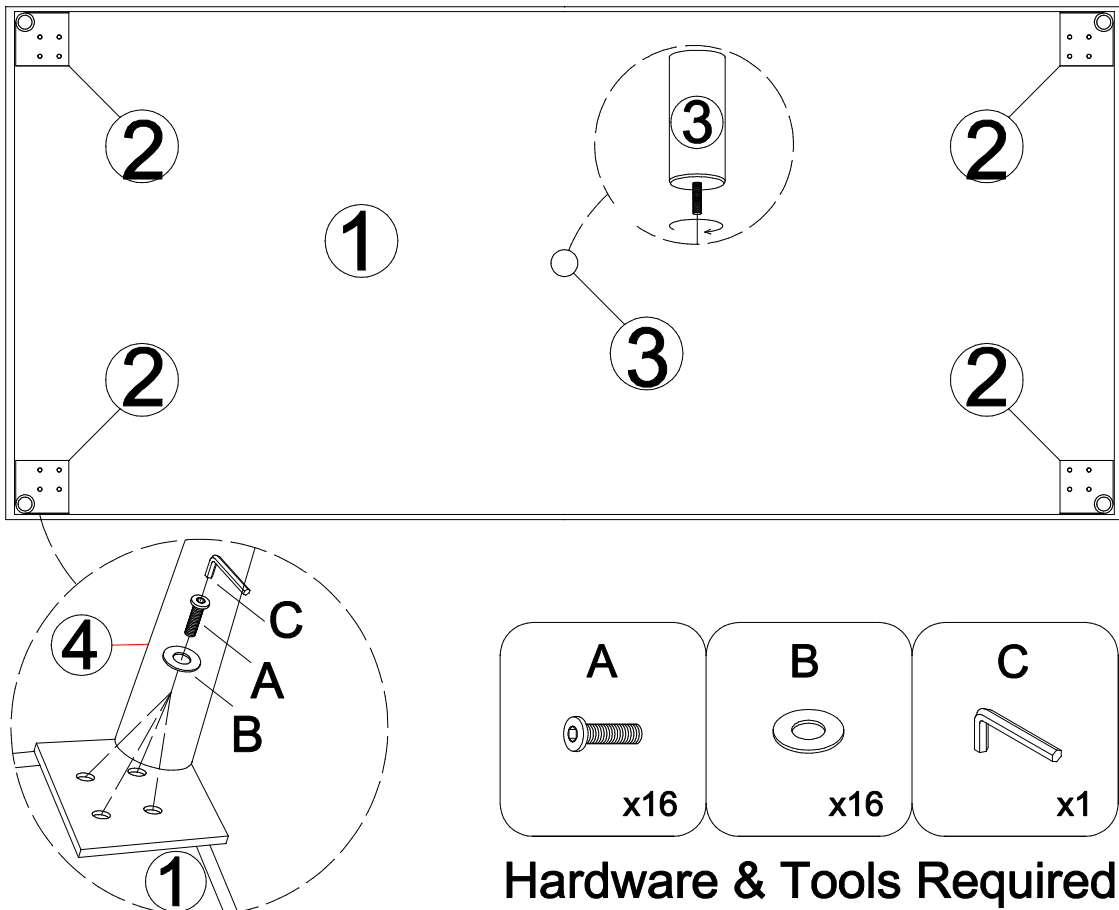
STEP 1:

1. Please put **Sofa Body (1)** upside down on a carpeted or padded surface.
2. Open the Zipper strip on the bottom of the **Sofa Body (1)** and take out 4 pieces of **Metal Legs (2)**, 1 piece of **Middle Leg (2)** and hardware bag.



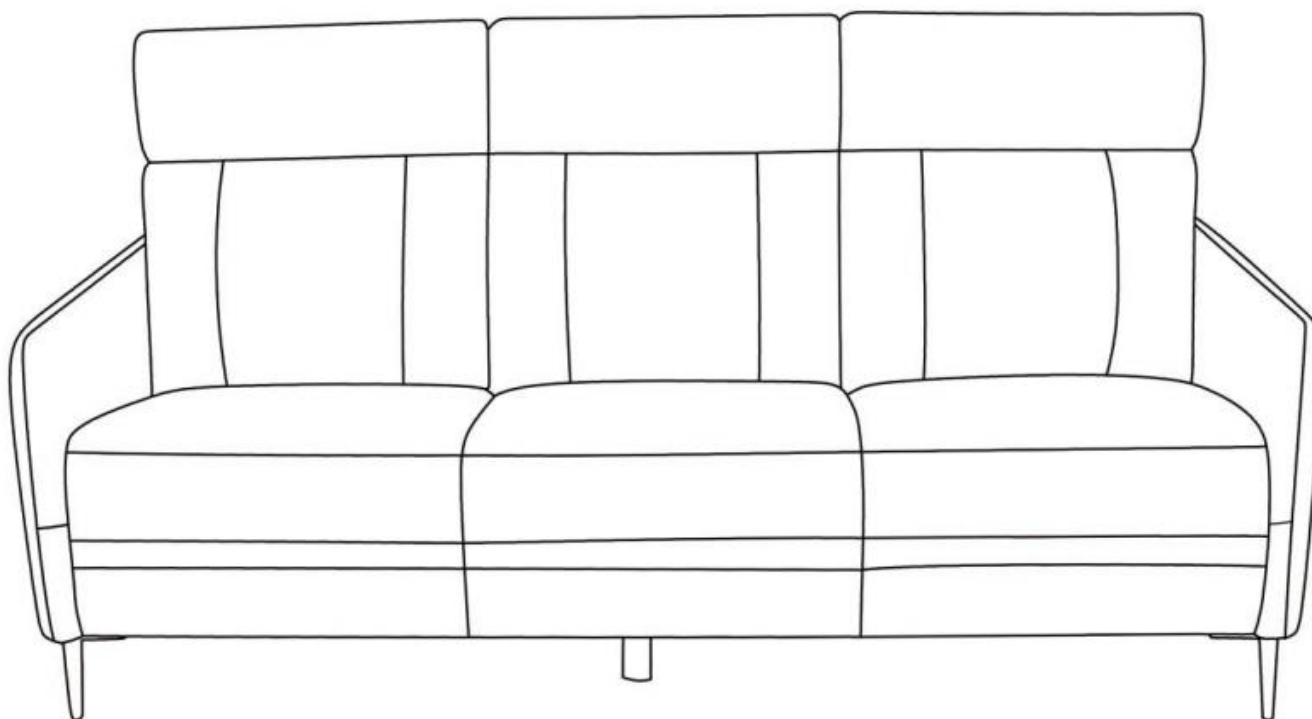
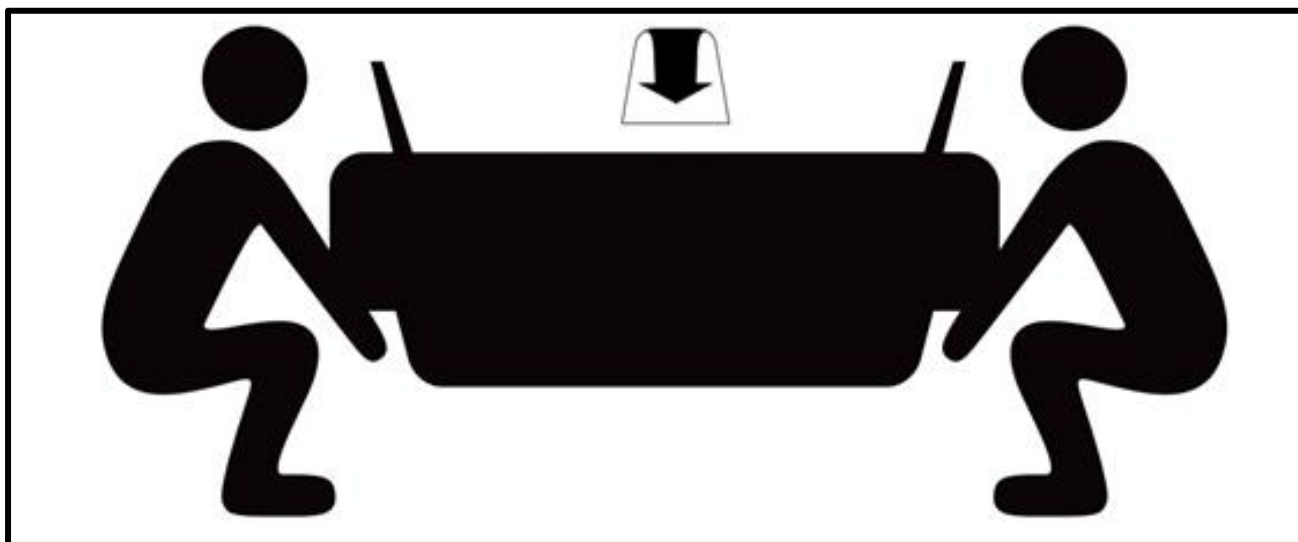
STEP 2:

1. Attached 1 piece of **Metal Leg (2)** to the bottom corner of **Sofa Body (1)** by using 4 pieces of **Bolts (A)** with 4 pieces of **Flat Washers (B)** as shown. Tighten **Bolts (A)** by using **Allen Wrench (C)** as shown.
2. Repeat the same steps for other 3 pieces of **Metal Legs (2)**.
3. Tighten 1 piece of **Middle Leg (3)** to the bottom middle of the **Sofa Body (1)** clockwise as shown by hand.



STEP 3:

1. Close the zipper on the bottom of the **Sofa Body (1)**.
2. Carefully turn over the assembled **Sofa Body (1)** by two adults as shown



Assembly is complete. Your sofa is ready to enjoy now