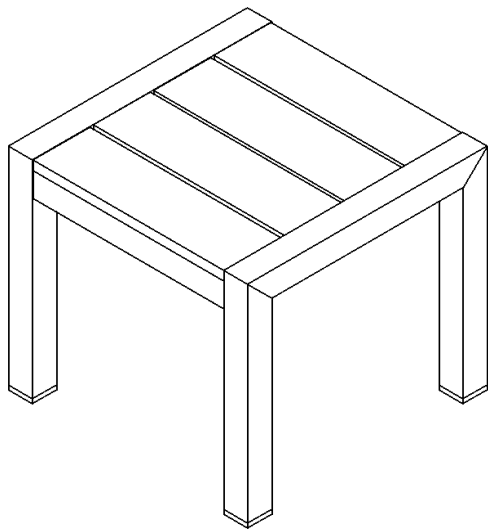


Thank you for purchasing the **MODWAY TABLE**.

Before you start, here are some helpful advice:

1. We suggest you spend a short time reading through this leaflet and then follow the simple step-by-step instructions.
2. Owing to the size and weight of the table, we recommend that it is assembled by two adults, on a carpeted or padded area, in the room that it is intended for. Approximate assembly time: 30 minutes.
3. Please do not use any tools other than those provided or recommended in these instructions.
4. Please do not throw away any of the packaging or the instruction until you have checked all the components and hardware and the furniture is fully assembled. Please ensure that the packaging is disposed of in a safe and environmentally friendly way.
5. Assemble all components loosely until advised to tighten. Depending on use, it may be necessary to tighten the components from time to time, so please save the tools that have been provided.
6. Please keep all pieces out of reach of children.

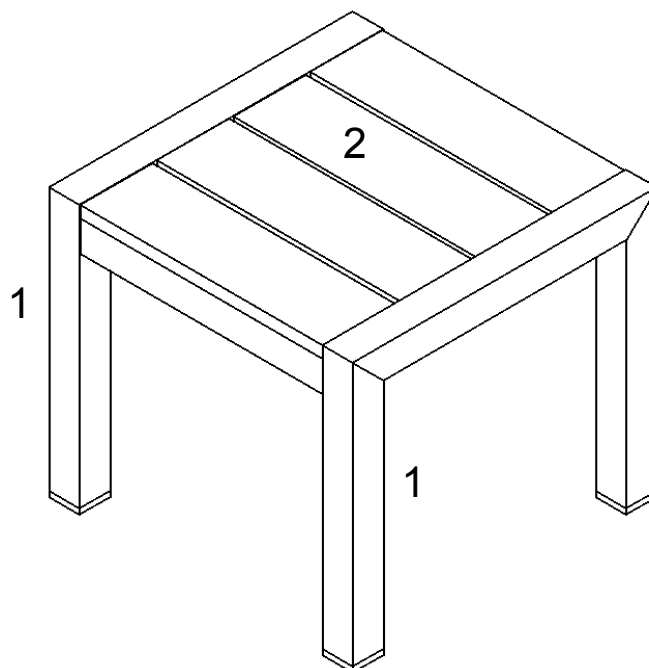


Hardware:

A.  Bolt M6x20mm x4

B.  Allen Wrench x1

Components:



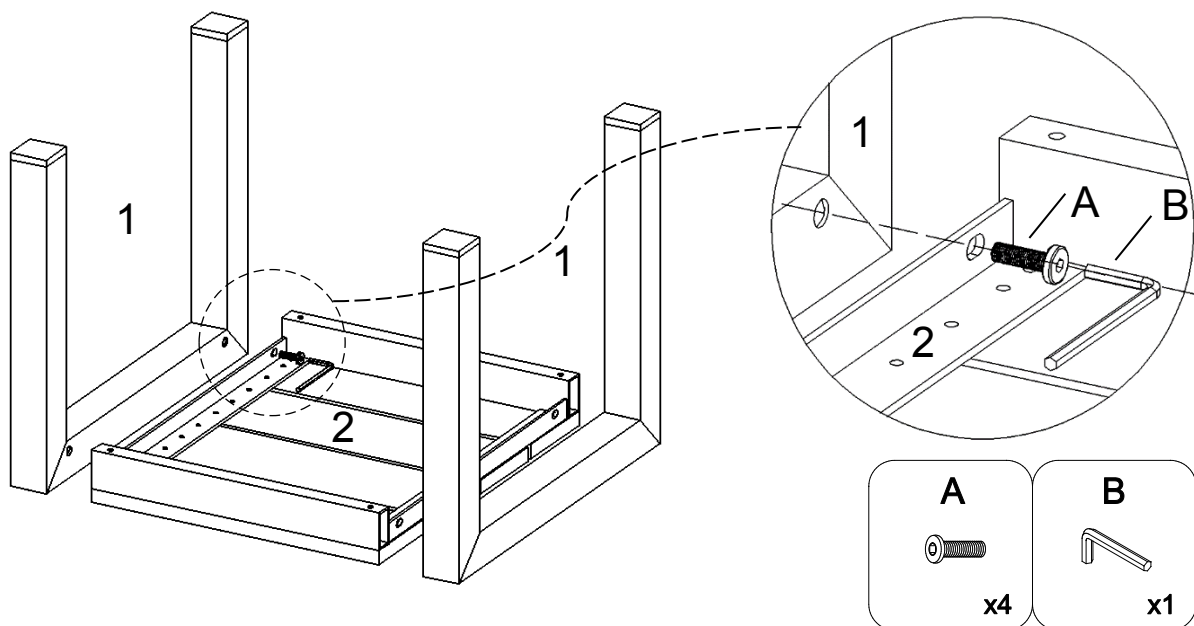
1. Leg x2

2. Table Top x1

STEP 1:

1. Please put 1 piece of **Leg (1)** and **Table Top (2)** upside down on a carpeted or padded area as shown.
2. Insert 2 pieces of **Bolts (A)** from the pre-drilled holes on the side rail of the **Table Top (2)** into each end of **Leg (1)** as shown.
3. Do not fully tighten **Bolts (A)** at this step.
4. Repeat the same steps for the remaining piece of **Leg (1)**.
5. After checking the leveling for all connections, please use **Allen Wrench (B)** to tighten all **Bolts (A)**

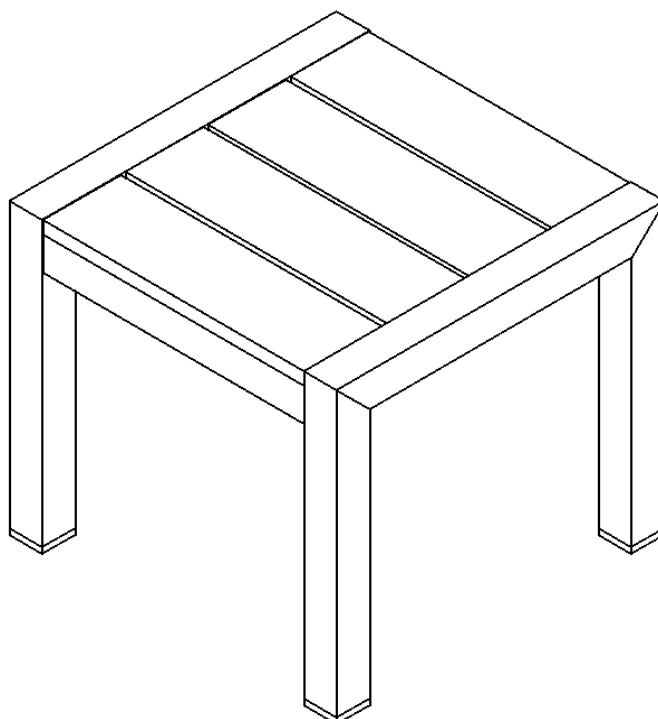
clockwise until secure.



Hardware & Tools Required

STEP 2:

Carefully position the table to your desired location.

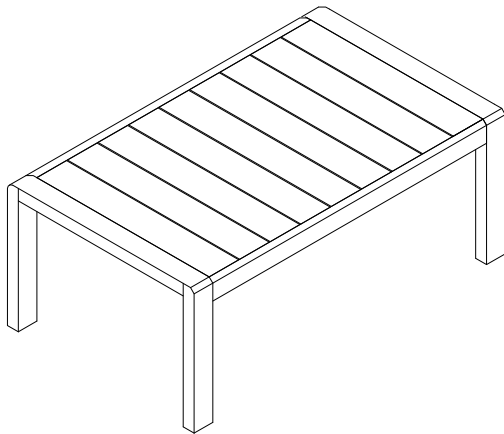


Assembly is completed. The table is ready to enjoy now!

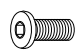
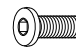

Thank you for purchasing the **MODWAY COFFEE TABLE**!

Before you start, here is some helpful advice:

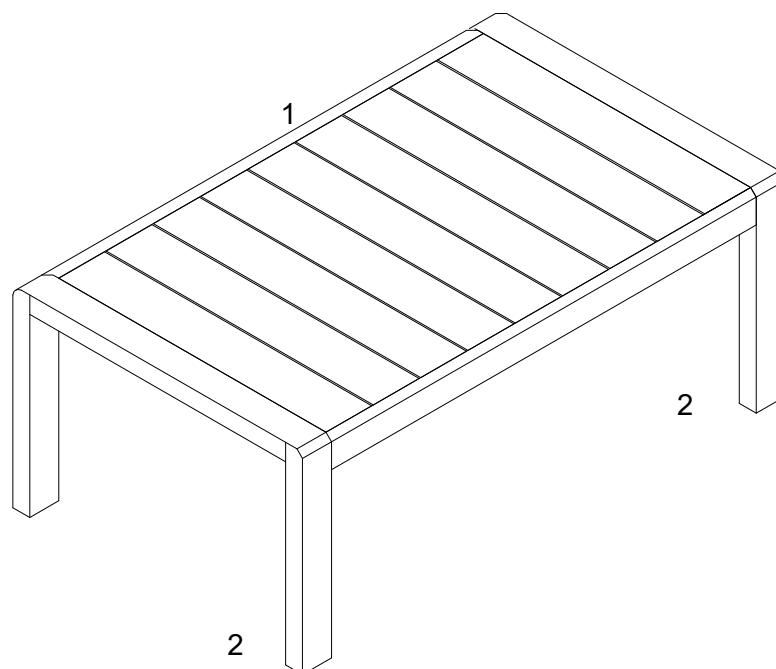
1. We suggest you spend a short time reading through this leaflet and then follow the simple step by step instructions.
2. Owing to the size and weight of the table, we recommend that it is assembled by two adults, on a carpeted or padded area, in the room that it is intended for. Approx assembly time: 30 minutes.
3. Please do not use any tools other than those provided or recommended in these instructions.
4. Please do not throw away any of the packaging or the instruction until you have checked all the components and hardware and the furniture is fully assembled. Please ensure that the packaging is disposed of in a safe environmentally friendly way.
5. Assemble all components loosely until advised to tighten. Depending on use, it may be necessary to tighten the components from time to time, so please save the tools that has been provided.
6. Please keep all fitting out of reach of children.



Hardware:

A		Bolt M6x20mm	x4
B		Bolt M6x25mm	x4
C		Allen Wrench M4	x1

Component:



1 Table Top x1

2 Leg x2

STEP 1:

Remove the plastic covers which pre-install in the end of the **Table Top (1)** by using **Allen Wrench (C)**.

Please put 1 piece of **Leg (2)** and **Table Top (1)** upside down on a carpeted or padded area as shown.

Insert **Table Top (1)** into the **Leg (2)** as shown.

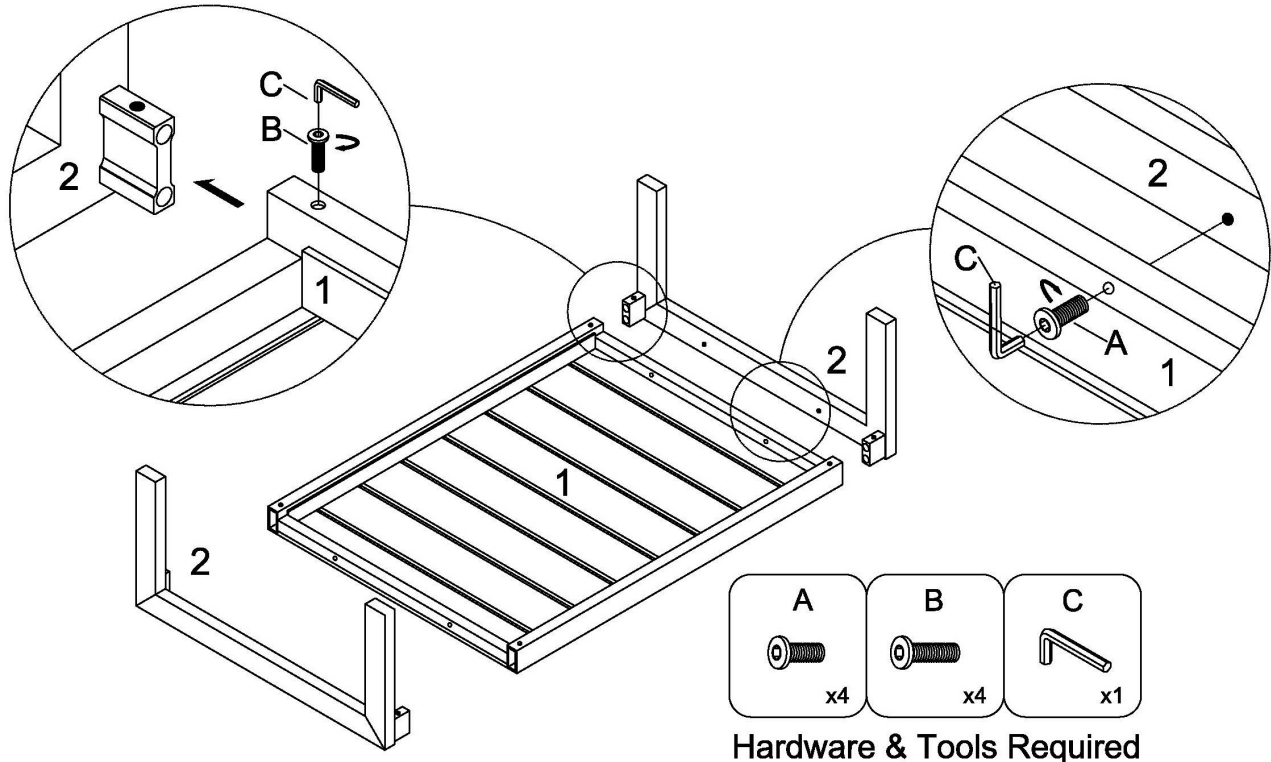
Insert 2 pieces of **Bolts (B)** from the pre-drilled holes on the bottom of the **Table Top (1)** into each side on the bottom of **Leg (2)**.

Insert 2 pieces of **Bolts (A)** from the pre-drilled holes on the side rail of the **Table Top (1)** into each end of **Leg (2)** as shown.

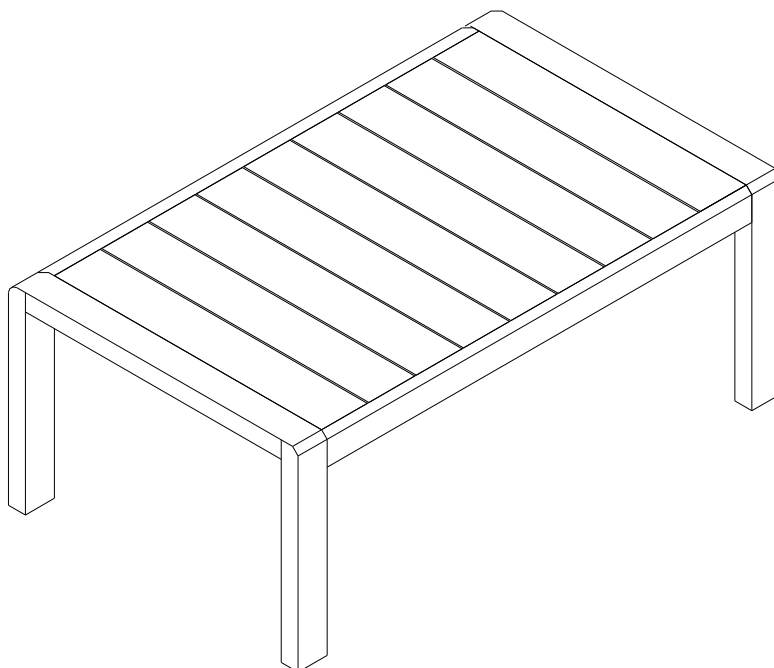
Do not fully tighten **Bolts (A&B)** at this step.

Repeat the same steps for the remaining 1 piece of **Leg (2)**.

After checking the leveling for all connections, please use **Allen Wrench (C)** to tighten all **Bolts (A&B)** clockwise until secure.

**STEP 2:**

Carefully position the table to your desired location.



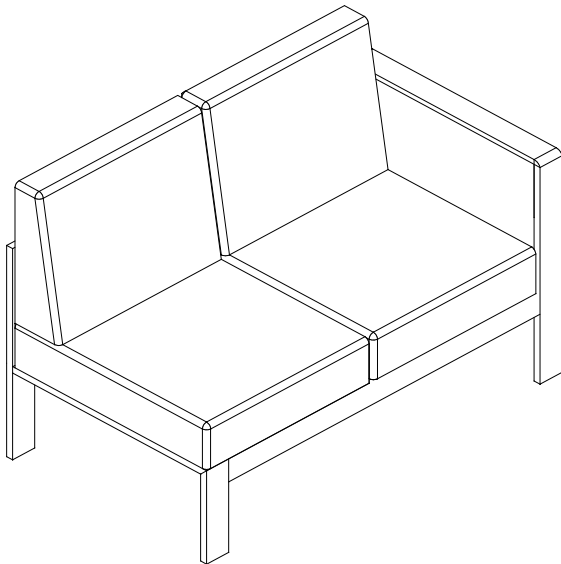
Assembly is completed. The table is ready to enjoy now!

EEI-4222 RIGHT ARM LOVESEAT


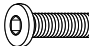

Thank you for purchasing the **MODWAY RIGHT ARM LOVESEAT**.

Before you start, here are some helpful advice:

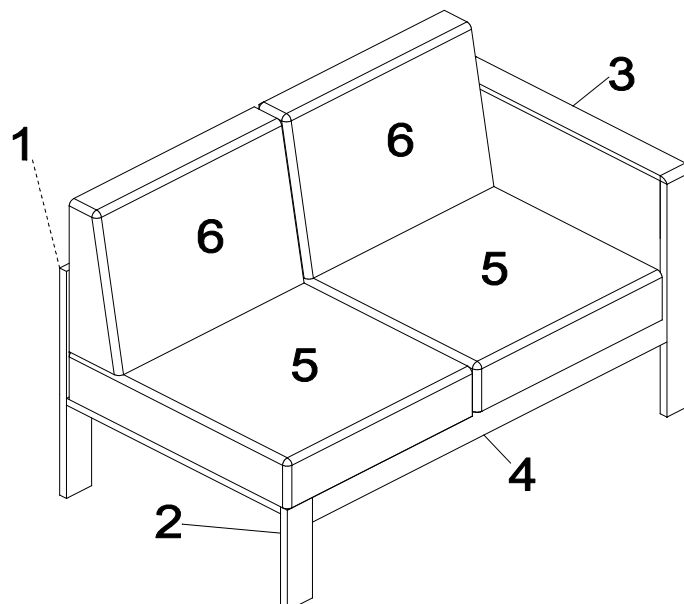
1. We suggest you spend a short time reading through this leaflet and then follow the simple step-by-step instructions.
2. Owing to the size and weight of the loveseat, we recommend that it is assembled by two adults, on a carpeted or padded area, in the room that it is intended for. Approximate assembly time: 30 minutes.
3. Please do not use any tools other than those provided or recommended in these instructions.
4. Please do not throw away any of the packaging or the instruction until you have checked all the components and hardware and the furniture is fully assembled. Please ensure that the packaging is disposed of in a safe and environmentally friendly way.
5. Assemble all components loosely until advised to tighten. Depending on use, it may be necessary to tighten the components from time to time, so please save the tools that have been provided.
6. Please keep all pieces out of reach of children.



Hardware:

- A.  Bolt M6x20mm x4
- B.  Bolt M6x25mm x6
- C.  Allen Wrench x1

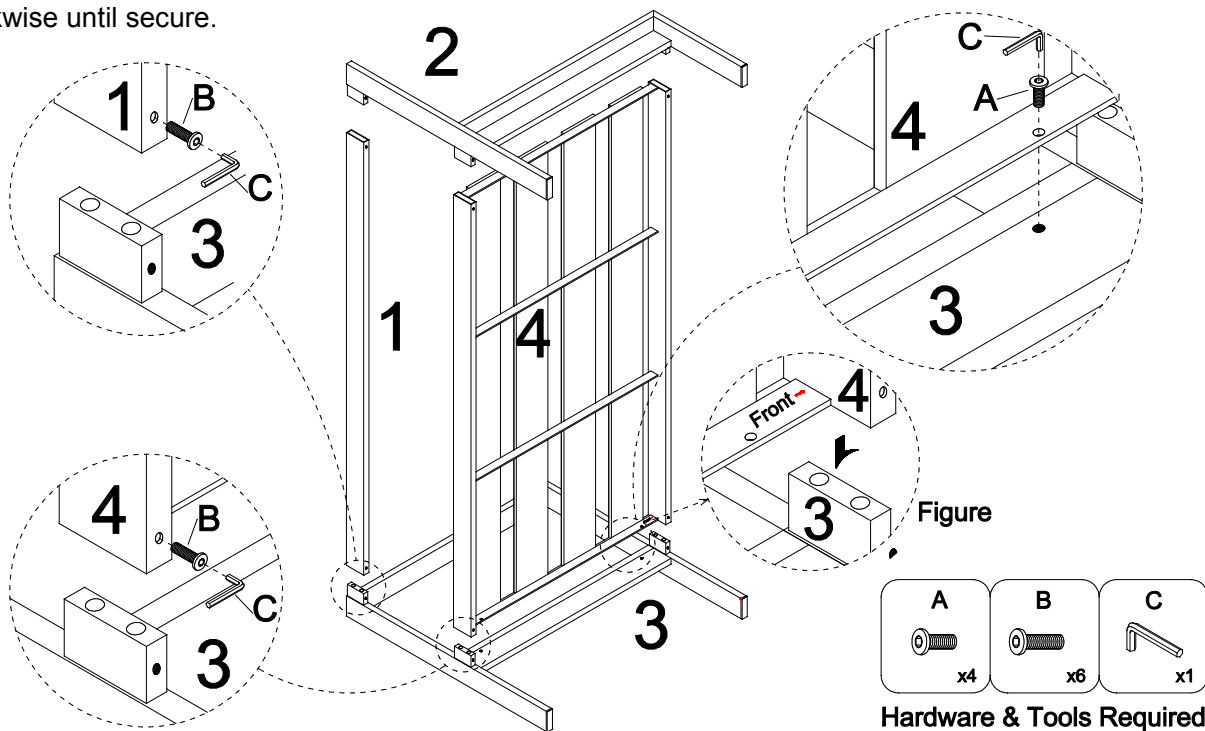
Components:



1. Top Rail	x1	2. Left Leg	x1	3. Right Leg	x1
4. Seat Frame	x1	5. Seat Cushion	x2	6. Back Cushion	x2

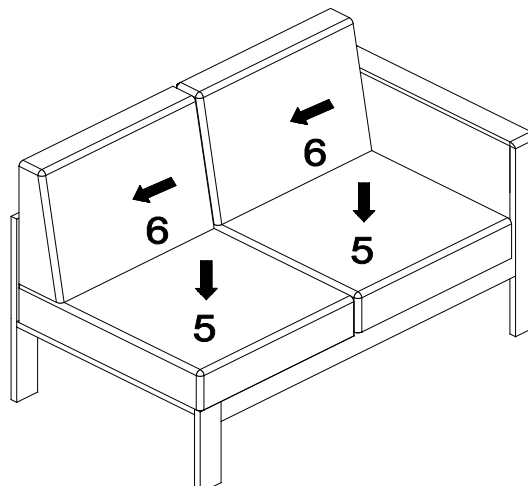
STEP 1:

1. Remove the plastic covers which pre-install at the end of the **Seat Frame (4)** by using **Allen Wrench (C)**.
2. Please put the **Right Leg (3)** on a carpeted or padded area as shown.
3. Insert the **Top Rail (1)** into the **Right Leg (3)** as shown.
4. Insert the **Seat Frame (4)** into the **Right Leg (3)** as shown with **Figure**.
Note: The bottom of the Seat Frame (4) and the Right Leg (3) is marked with Front. Abt. 3cm from the top of the seat to the top of seat back rail and 1.5cm for the seat front.
5. Insert 3 pieces of **Bolts (B)** from the pre-drilled holes on the bottom of the **Top Rail (1)** and the **Seat Frame (4)** into each side on the bottom of the **Right Leg (3)**.
6. Insert 2 pieces of **Bolts (A)** from the pre-drilled holes on the side rail of the **Seat Frame (4)** into each end of **Right Leg (3)** as shown. Do not fully tighten **Bolts (A&B)** at this step.
7. Repeat the same steps for the **Left Leg (2)**.
8. After checking the leveling for all connections, please use **Allen Wrench (C)** to tighten all **Bolts (A&B)** clockwise until secure.



STEP 2:

1. Carefully place the assembled loveseat at your desired location.
2. Put the **Seat Cushions (5)** and **Back Cushions (6)** to assembled loveseat frame as shown.



Assembly is complete. Your loveseat is ready to enjoy now!

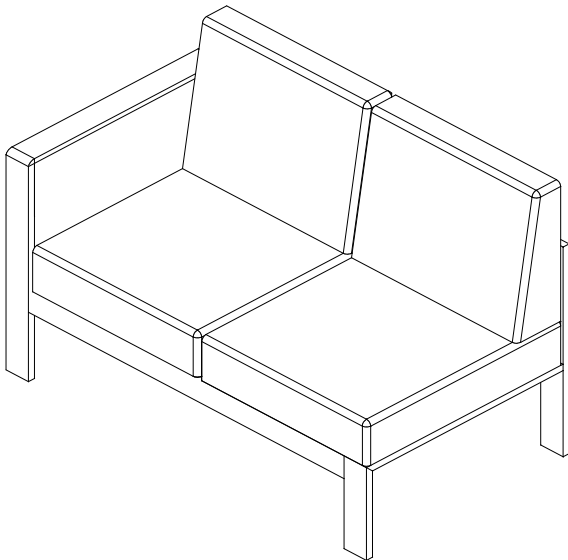
EEI-4223 LEFT ARM LOVESEAT




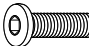

Thank you for purchasing the **MODWAY LEFT ARM LOVESEAT**.

Before you start, here are some helpful advice:

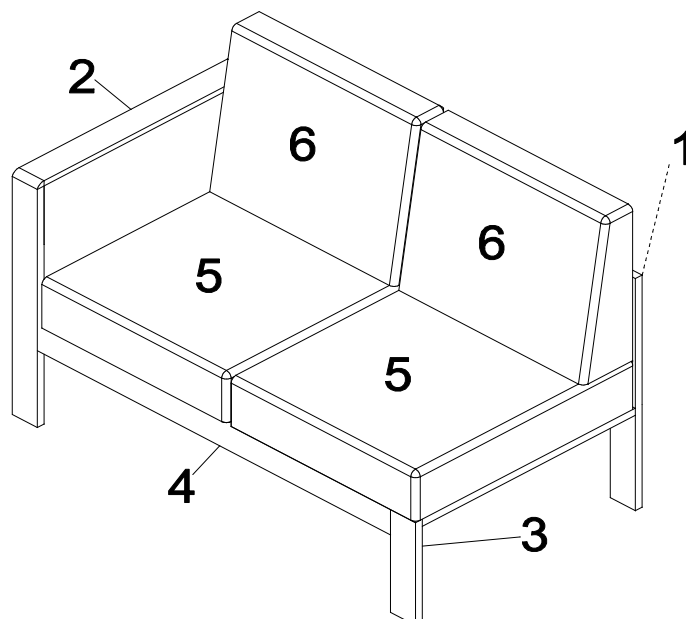
1. We suggest you spend a short time reading through this leaflet and then follow the simple step-by-step instructions.
2. Owing to the size and weight of the loveseat, we recommend that it is assembled by two adults, on a carpeted or padded area, in the room that it is intended for. Approximate assembly time: 30 minutes.
3. Please do not use any tools other than those provided or recommended in these instructions.
4. Please do not throw away any of the packaging or the instruction until you have checked all the components and hardware and the furniture is fully assembled. Please ensure that the packaging is disposed of in a safe and environmentally friendly way.
5. Assemble all components loosely until advised to tighten. Depending on use, it may be necessary to tighten the components from time to time, so please save the tools that have been provided.
6. Please keep all pieces out of reach of children.



Hardware:

- A.  Bolt M6x20mm x4
- B.  Bolt M6x25mm x6
- C.  Allen Wrench x1

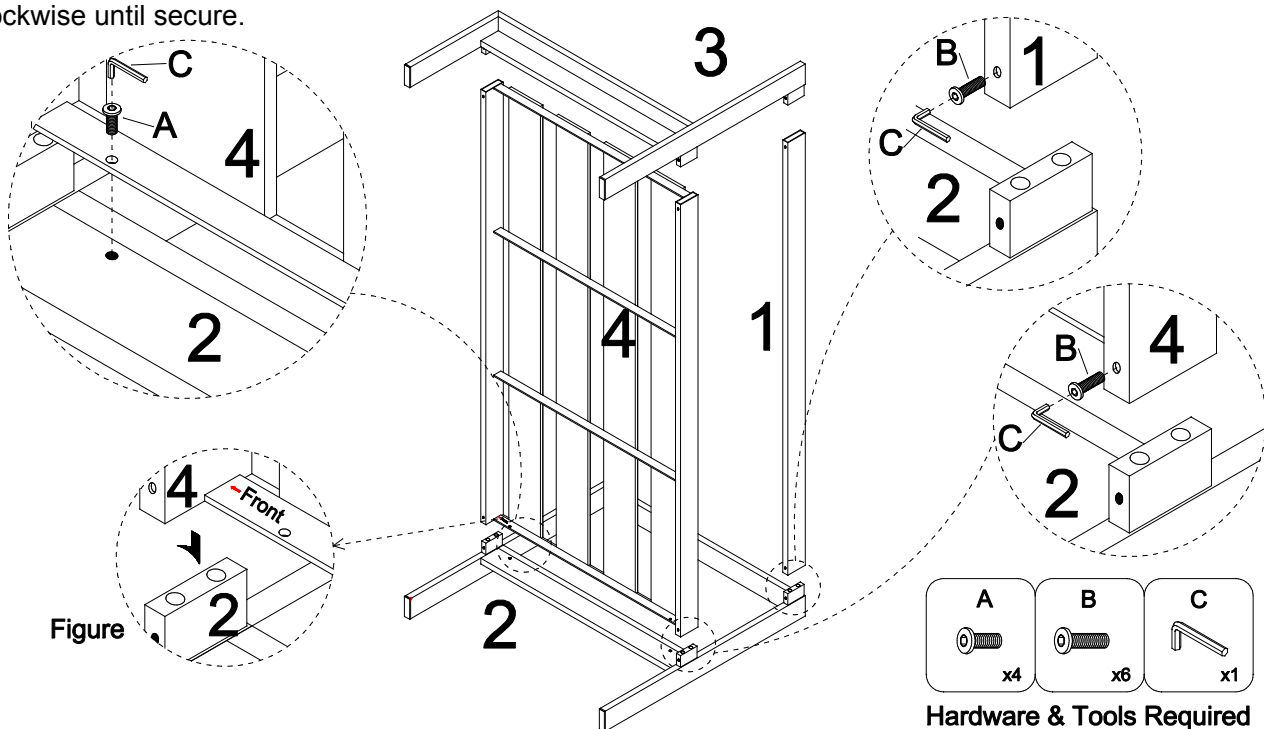
Components:



1. Top Rail	x1	2. Left Leg	x1	3. Right Leg	x1
4. Seat Frame	x1	5. Seat Cushion	x2	6. Back Cushion	x2

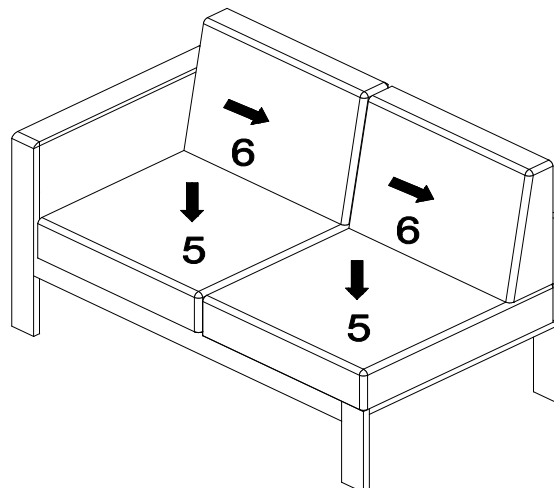
STEP 1:

1. Remove the plastic covers which pre-install at the end of the **Seat Frame (4)** by using **Allen Wrench (C)**.
2. Please put the **Left Leg (2)** on a carpeted or padded area as shown.
3. Insert the **Top Rail (1)** into the **Left Leg (2)** as shown.
4. Insert the **Seat Frame (4)** into the **Left Leg (2)** as shown with **Figure**.
Note: The bottom of the Seat Frame (4) and the Left Leg (2) is marked with Front. Abt. 3cm from the top of the seat to the top of the seat back rail and 1.5cm for the seat front.
5. Insert 3 pieces of **Bolts (B)** from the pre-drilled holes on the bottom of the **Top Rail (1)** and the **Seat Frame (4)** into each side on the bottom of the **Left Leg (2)**.
6. Insert 2 pieces of **Bolts (A)** from the pre-drilled holes on the side rail of the **Seat Frame (4)** into each end of **Left Leg (2)** as shown. Do not fully tighten **Bolts (A&B)** at this step.
7. Repeat the same steps for the **Right Leg (3)**.
8. After checking the leveling for all connections, please use **Allen Wrench (C)** to tighten all **Bolts (A&B)** clockwise until secure.



STEP 2:

1. Carefully place the assembled loveseat at your desired location.
2. Put the **Seat Cushions (5)** and **Back Cushions (6)** to assembled loveseat frame as shown.



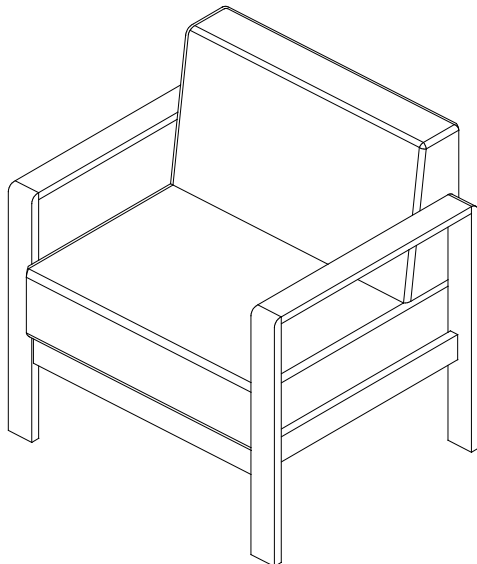
Assembly is complete. Your loveseat is ready to enjoy now!

EEI-4225 ARM CHAIR


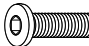

Thank you for purchasing the **MODWAY ARM CHAIR**.

Before you start, here are some helpful advice:

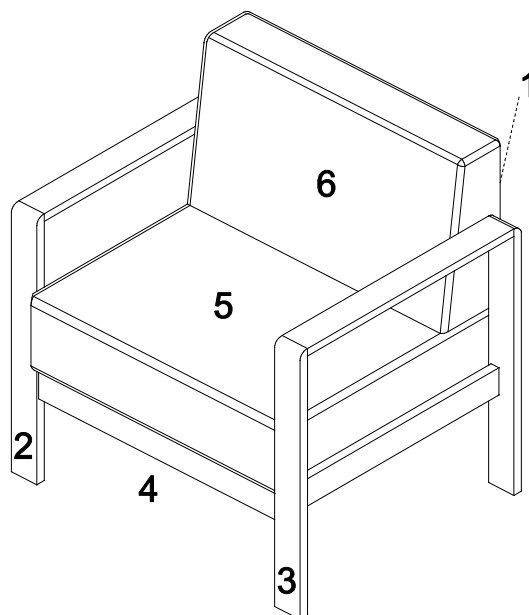
1. We suggest you spend a short time reading through this leaflet and then follow the simple step-by-step instructions.
2. Owing to the size and weight of the chair, we recommend that it is assembled by two adults, on a carpeted or padded area, in the room that it is intended for. Approximate assembly time: 30 minutes.
3. Please do not use any tools other than those provided or recommended in these instructions.
4. Please do not throw away any of the packaging or the instruction until you have checked all the components and hardware and the furniture is fully assembled. Please ensure that the packaging is disposed of in a safe and environmentally friendly way.
5. Assemble all components loosely until advised to tighten. Depending on use, it may be necessary to tighten the components from time to time, so please save the tools that have been provided.
6. Please keep all pieces out of reach of children.



Hardware:

- A.  Bolt M6x20mm x4
- B.  Bolt M6x25mm x6
- C.  Allen Wrench x1

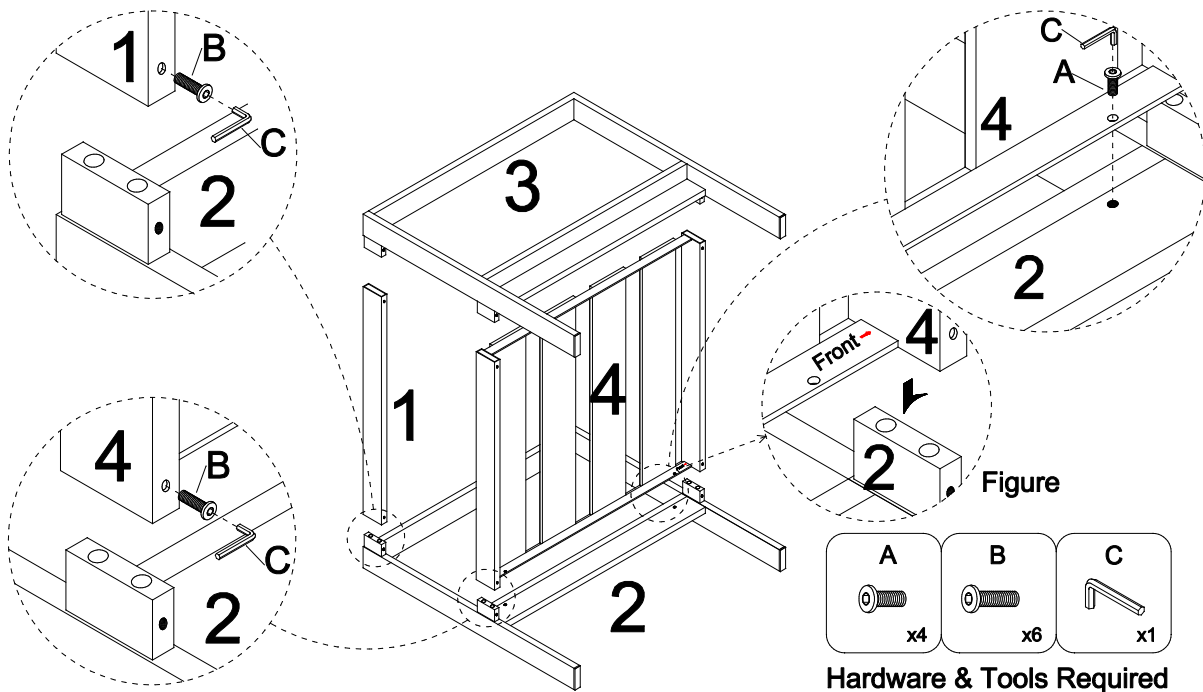
Components:



- | | | | | | |
|---------------|----|-----------------|----|-----------------|----|
| 1. Top Rail | x1 | 2. Left Leg | x1 | 3. Right Leg | x1 |
| 4. Seat Frame | x1 | 5. Seat Cushion | x1 | 6. Back Cushion | x1 |

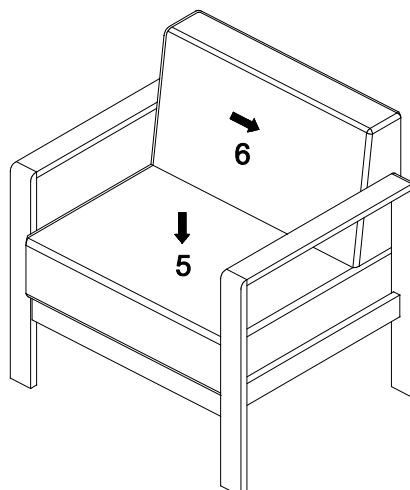
STEP 1:

1. Remove the plastic covers which pre-install at the end of the **Seat Frame (4)** by using **Allen Wrench (C)**.
2. Please put **Left Leg (2)** on a carpeted or padded area as shown.
3. Insert the **Top Rail (1)** into the **Left Leg (2)** as shown.
4. Insert the **Seat Frame (4)** into the **Left Leg (2)** as shown with **Figure**.
Note: The bottom of the Seat Frame (4) and the Left Leg (2) is marked with Front. Abt. 3cm from the top of the seat to the top of seat back rail and 1.5cm for the seat front.
5. Insert 3 pieces of **Bolts (B)** from the pre-drilled holes on the bottom of the **Top Rail (1)** and the **Seat Frame (4)** into each side on the bottom of the **Left Leg (2)**.
6. Insert 2 pieces of **Bolts (A)** from the pre-drilled holes on the side rail of the **Seat Frame (4)** into each end of the **Left Leg (2)** as shown. Do not fully tighten **Bolts (A&B)** at this step.
7. Repeat the same steps for the **Right Leg (3)**.
8. After checking the leveling for all connections, please use **Allen Wrench (C)** to tighten all **Bolts (A&B)** clockwise until secure.



STEP 2:

1. Carefully place the assembled chair at your desired location.
2. Put the **Seat Cushion (5)** and the **Back Cushion (6)** to assembled chair frame as shown.



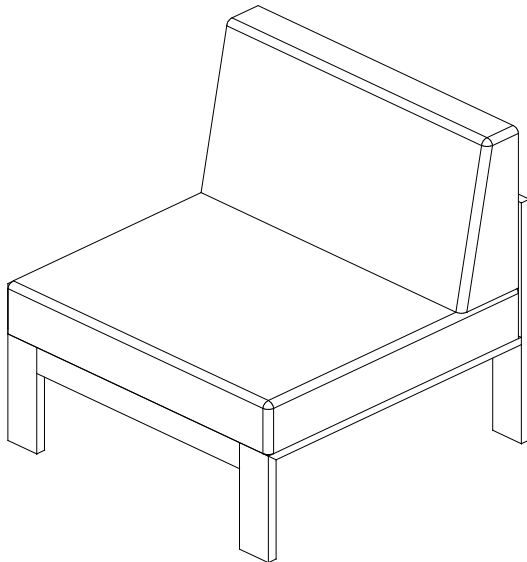
Assembly is complete. Your chair is ready to enjoy now!

EEI-4227 ARMLESS CHAIR


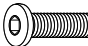

Thank you for purchasing the **MODWAY ARMLESS CHAIR**.

Before you start, here are some helpful advice:

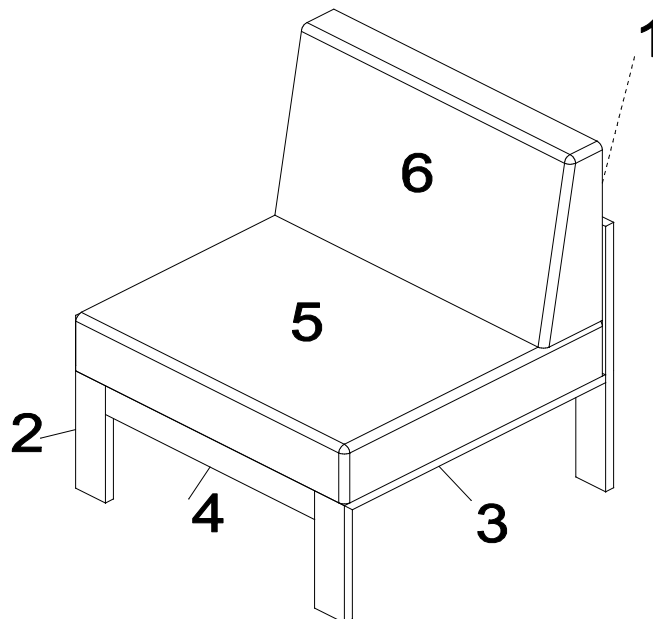
1. We suggest you spend a short time reading through this leaflet and then follow the simple step-by-step instructions.
2. Owing to the size and weight of the chair, we recommend that it is assembled by two adults, on a carpeted or padded area, in the room that it is intended for. Approximate assembly time: 30 minutes.
3. Please do not use any tools other than those provided or recommended in these instructions.
4. Please do not throw away any of the packaging or the instruction until you have checked all the components and hardware and the furniture is fully assembled. Please ensure that the packaging is disposed of in a safe and environmentally friendly way.
5. Assemble all components loosely until advised to tighten. Depending on use, it may be necessary to tighten the components from time to time, so please save the tools that have been provided.
6. Please keep all pieces out of reach of children.



Hardware:

- A.  Bolt M6x20mm x4
- B.  Bolt M6x25mm x6
- C.  Allen Wrench x1

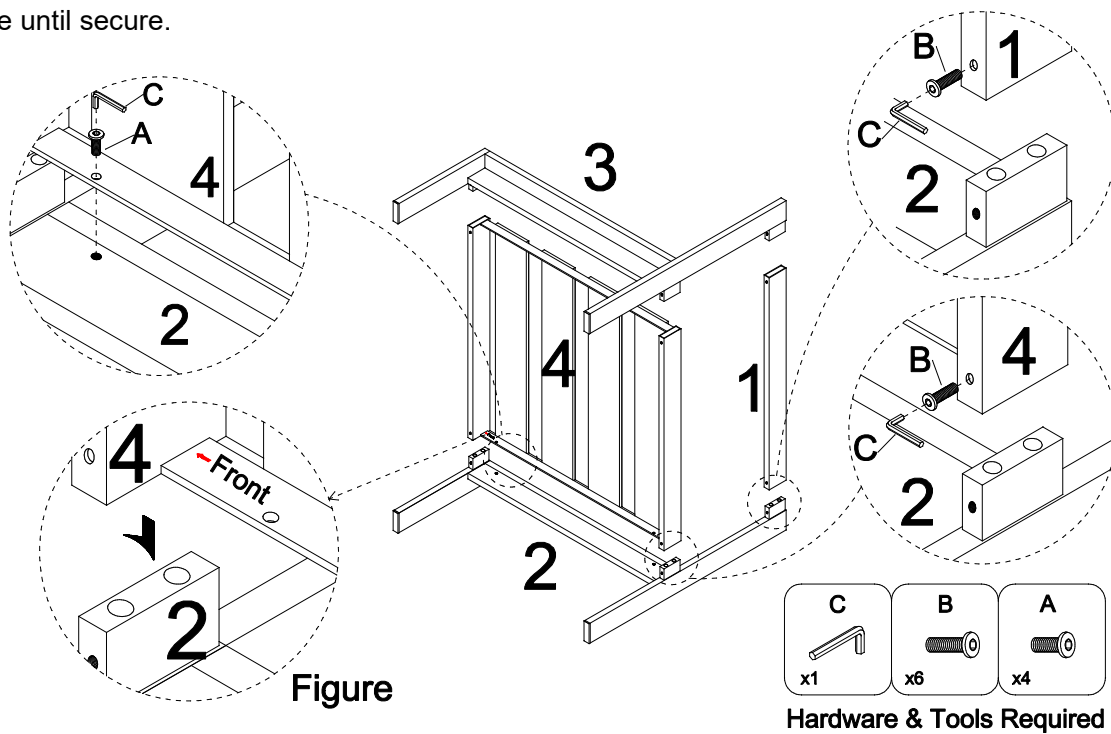
Components:



1. Top Rail	x1	2. Left Leg	x1	3. Right Leg	x1
4. Seat Frame	x1	5. Seat Cushion	x1	6. Back Cushion	x1

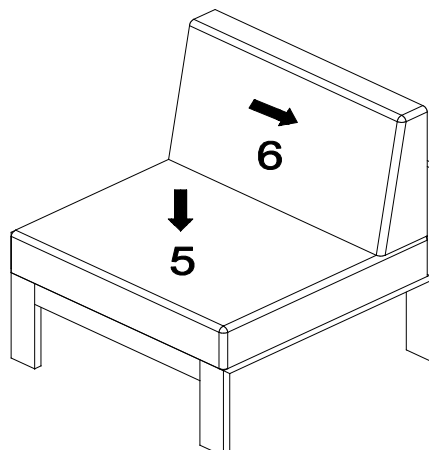
STEP 1:

1. Remove the plastic covers which pre-install at the end of the **Seat Frame (4)** by using **Allen Wrench (C)**.
2. Please put the **Left Leg (2)** on a carpeted or padded area as shown.
3. Insert the **Top Rail (1)** into the **Left Leg (2)** as shown.
4. Insert the **Seat Frame (4)** into the **Left Leg (2)** as shown with **Figure**.
Note: The bottom of the Seat Frame (4) and Left Leg (2) is marked with Front. Abt. 3cm from the top of the seat to the top of the seat back rail and 1.5cm for the seat front.
5. Insert 3 pieces of **Bolts (B)** from the pre-drilled holes on the bottom of the **Top Rail (1)** and the **Seat Frame (4)** into each side on the bottom of the **Left Leg (2)**.
6. Insert 2 pieces of **Bolts (A)** from the pre-drilled holes on the side rail of the **Seat Frame (4)** into each end of the **Left Leg (2)** as shown. Do not fully tighten **Bolts (A&B)** at this step.
7. Repeat the same steps for the **Right Leg (3)**.
8. After checking the leveling for all connections, please use **Allen Wrench (C)** to tighten all **Bolts (A&B)** clockwise until secure.



STEP 2:

1. Carefully place the assembled chair at your desired location.
2. Put the **Seat Cushion (5)** and **Back Cushion (6)** to assembled chair as shown.



Assembly is complete. Your chair is ready to enjoy now!