

ASSEMBLY INSTRUCTIONS

# Left-arm Chair

EI-4128 / V2.04.09.25

---

**modway**



Questions? Contact us!

609.256.9000

[cs@modway.com](mailto:cs@modway.com)

# Welcome.

## Let's get started.

Before you begin, here are some things to keep in mind:

Assembly will take most people **about 30 minutes**. Consider having a friend help you!

**Only use hand tools to assemble this item.** Do not use power tools. Do not tighten bolts or screws completely until all hardware is lined up and inserted into the holes.

**Read through all of the instructions before starting. Make sure you have all parts and components before discarding any packing materials.**

Do not over-tighten screws and bolts to avoid stripping the hardware or cracking the item.

Assemble your item on a flat, carpeted area, with plenty of space to work. This will prevent damage and scratches to your floors or the item while you're assembling the product.

Keep all components and packaging out of reach of children or animals to avoid risk of choking or suffocation.






**Care instructions are listed in the last step of this manual.**

**WAIT!**

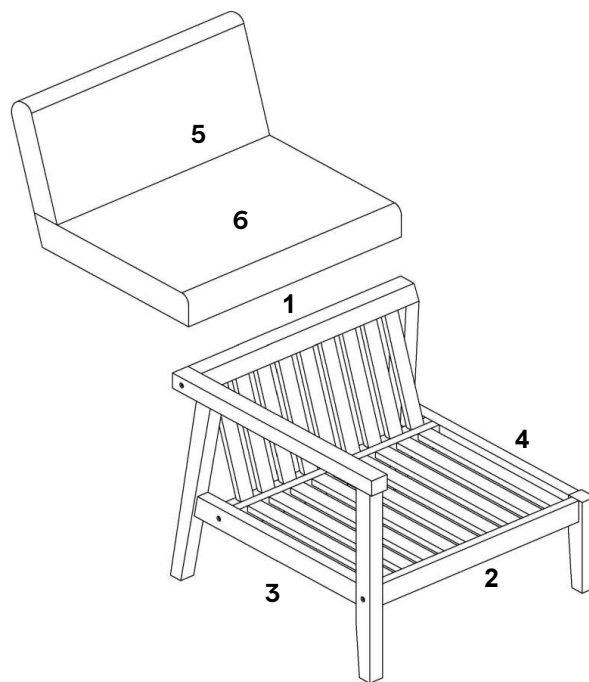
Missing parts or hardware? Need assistance?  
Contact us before returning your item.  
We're here to help!



## HARDWARE INCLUDED IN THE BOX:

A		JCBC Bolt M6x70mm	x5
B		JCBC Bolt M6x60mm	x1
C		Allen Key	x1
D		Flat Washer	x6
E		Spring Washer	x6

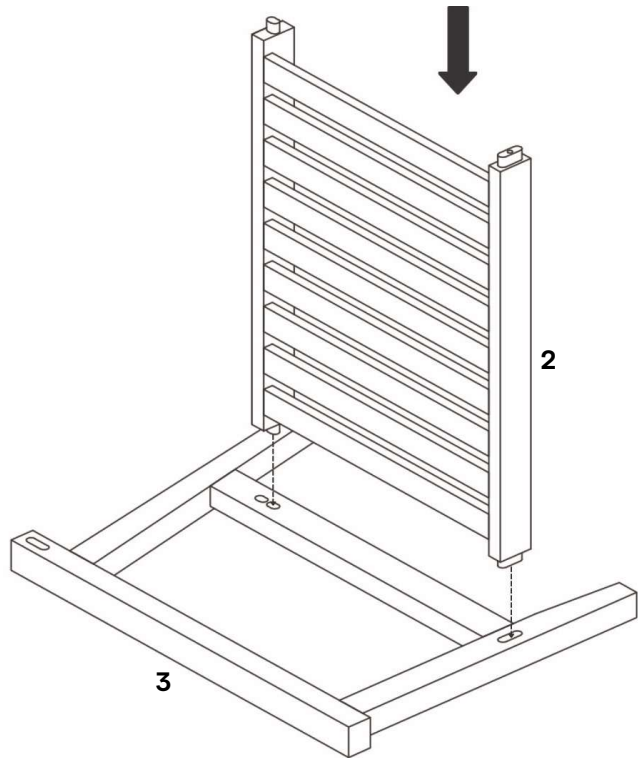
## FURNITURE COMPONENTS:



1	Chair Back	x1
2	Chair Seat	x1
3	Left Frame	x1
4	Right Frame	x1
5	Back Cushion	x1
6	Seat Cushion	x1

## COMPONENTS

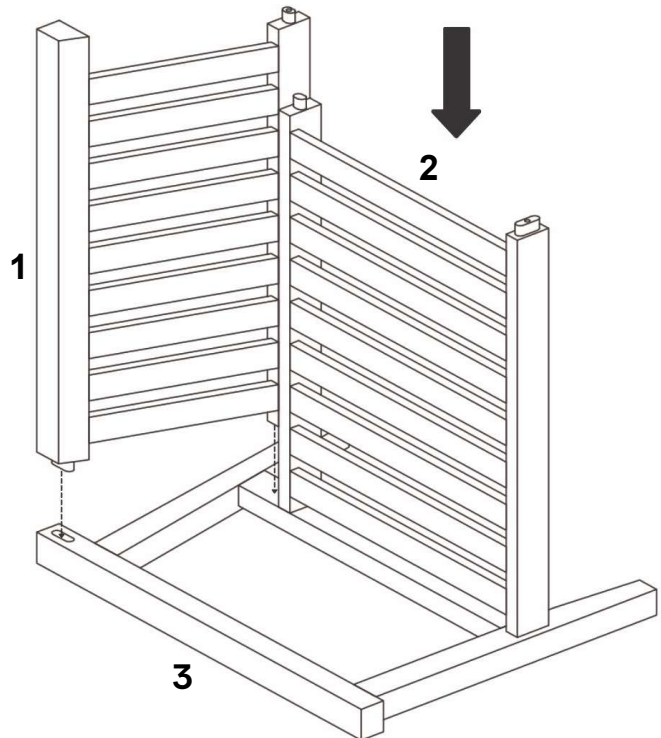
- |   |            |    |
|---|------------|----|
| ② | Chair Seat | x1 |
| ③ | Left Frame | x1 |



## STEP 02

## COMPONENTS

- |   |            |    |
|---|------------|----|
| ① | Chair Back | x1 |
| ② | Chair Seat | x1 |
| ③ | Left Frame | x1 |



COMPONENTS

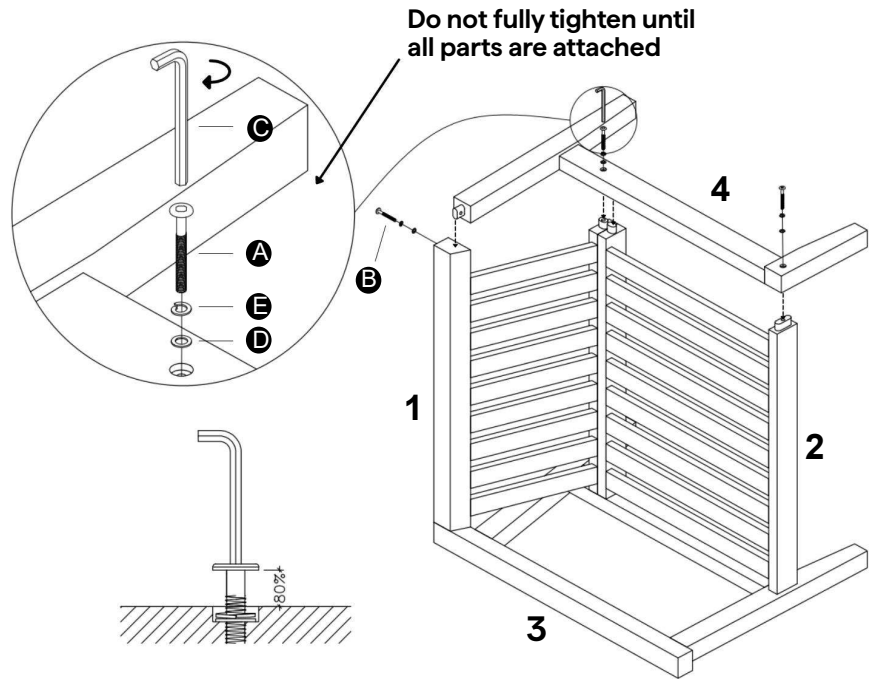
- ① Chair Back x1
- ② Chair Seat x1
- ③ Left Frame x1
- ④ Right Frame x1

HARDWARE

- Ⓐ JCBC Bolt M6x70mm x2
- Ⓑ JCBC Bolt M6x60mm x1
- Ⓓ Flat Washer x3
- Ⓔ Spring Washer x3

TOOLS

- Ⓒ Allen Key x1



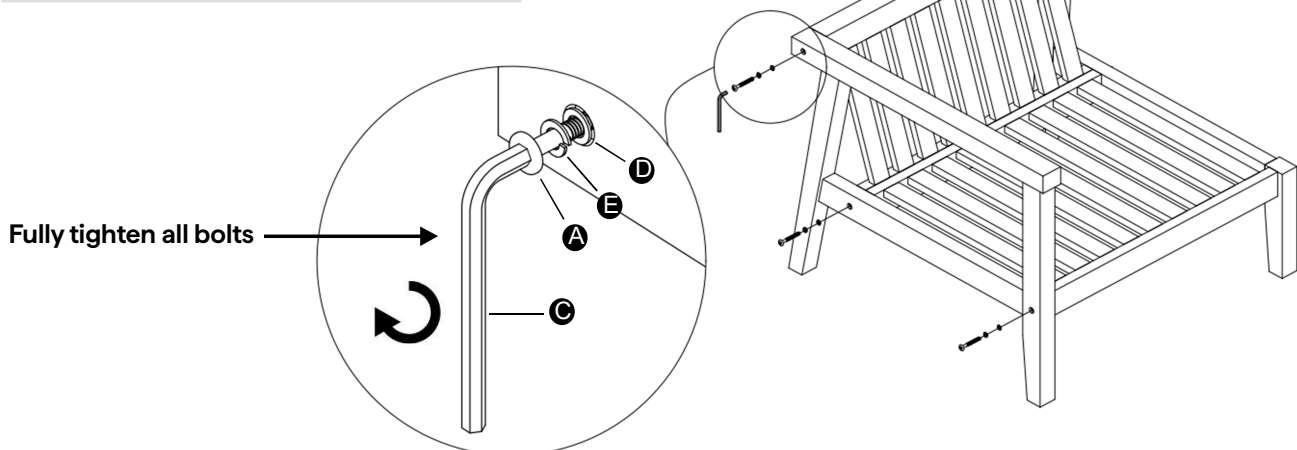
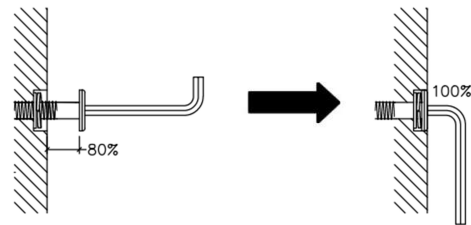
STEP 04

COMPONENT

- Ⓐ JCBC Bolt M6x70mm x3
- Ⓓ Flat Washer x3
- Ⓔ Spring Washer x3

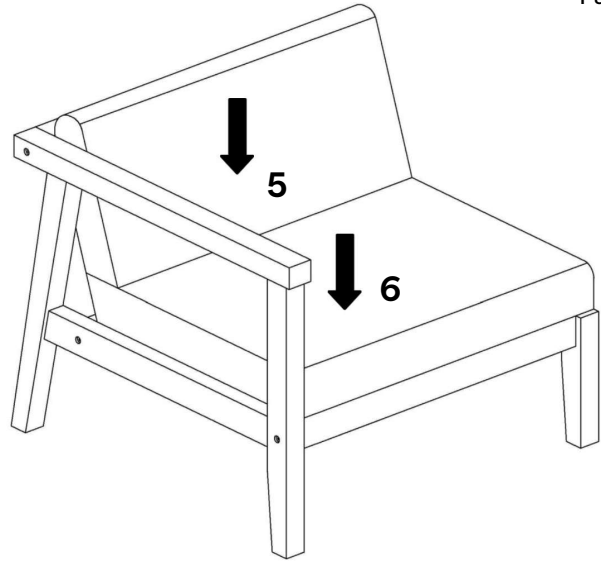
TOOLS

- Ⓒ Allen Key x1



**COMPONENTS**

- 5** Back Cushion x1
- 6** Seat Cushion x1

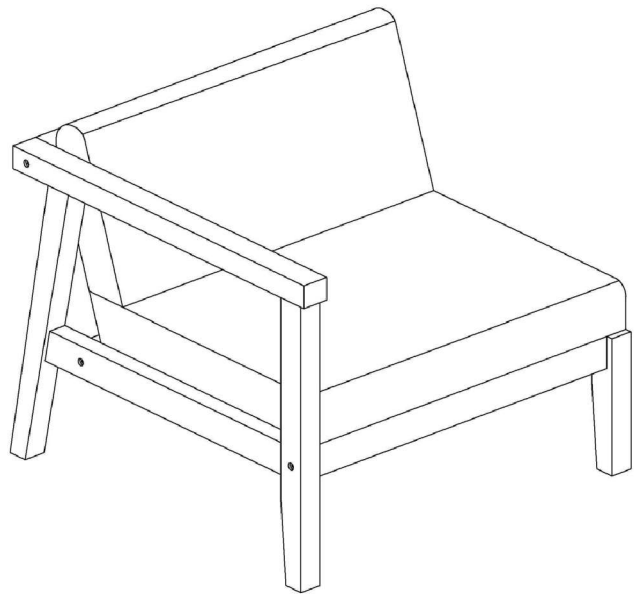


# Great job!

Your new Left-arm Chair is complete.

## CARING FOR YOUR ITEM

- Depending on use, it may be necessary to tighten the hardware from time to time, so please save the tools that have been provided.
- Not contract grade.
- Clean using a non-abrasive cloth and a mild cleaner.
- Retain the rich wood color by occasionally sanding lightly and applying a teak cleaner and protectant. The oils nourish and help restore the original look.



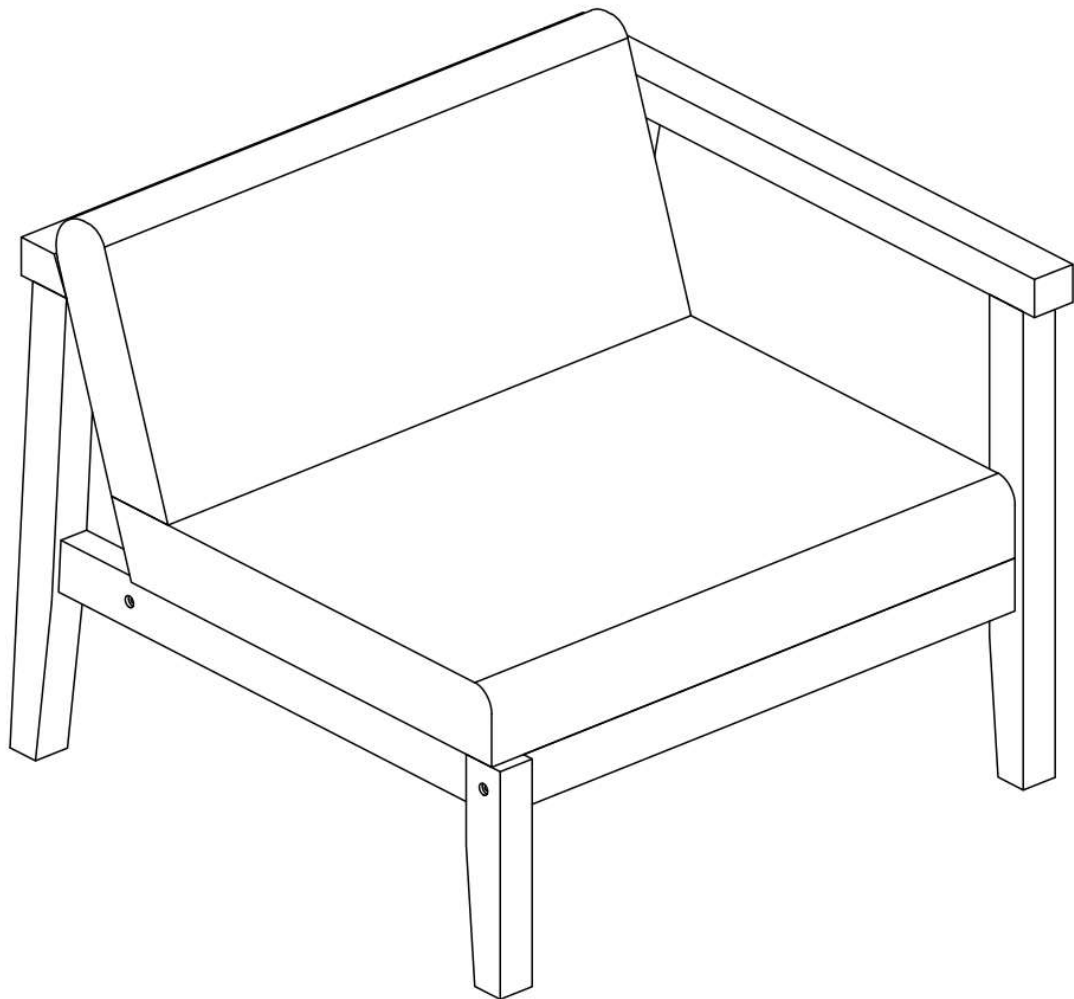
## CONNECT WITH US!

Tag us [@modway\\_furniture](#) and [#modway](#) for a chance to be featured.

# modway



Questions? Contact us!  
609.256.9000  
[cs@modway.com](mailto:cs@modway.com)



ASSEMBLY INSTRUCTIONS

# Right-arm Chair

EI-4129 / V2.04.09.25

---

**modway**



Questions? Contact us!

609.256.9000

[cs@modway.com](mailto:cs@modway.com)

# Welcome.

## Let's get started.

Before you begin, here are some things to keep in mind:

Assembly will take most people **about 30 minutes**. Consider having a friend help you!

**Only use hand tools to assemble this item.** Do not use power tools. Do not tighten bolts or screws completely until all hardware is lined up and inserted into the holes.

**Read through all of the instructions before starting. Make sure you have all parts and components before discarding any packing materials.**

Do not over-tighten screws and bolts to avoid stripping the hardware or cracking the item.

Assemble your item on a flat, carpeted area, with plenty of space to work. This will prevent damage and scratches to your floors or the item while you're assembling the product.

Keep all components and packaging out of reach of children or animals to avoid risk of choking or suffocation.






**Care instructions are listed in the last step of this manual.**

**WAIT!**

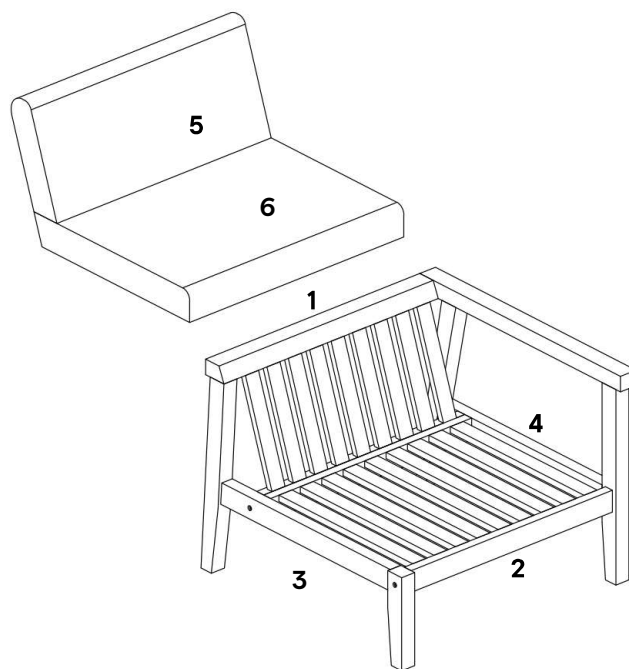
Missing parts or hardware? Need assistance?  
Contact us before returning your item.  
We're here to help!



## HARDWARE INCLUDED IN THE BOX:

A		JCBC Bolt M6x70mm	x5
B		JCBC Bolt M6x60mm	x1
C		Allen Key	x1
D		Flat Washer	x6
E		Spring Washer	x6

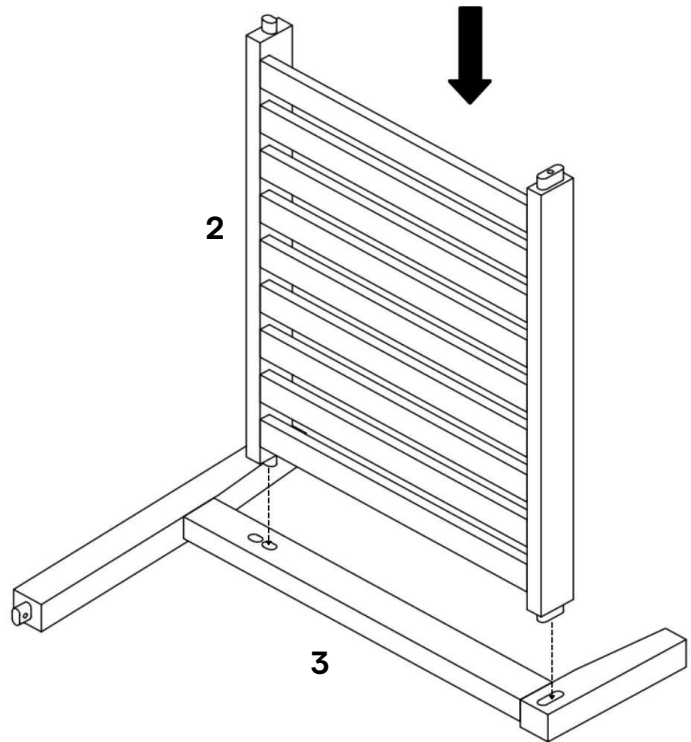
## FURNITURE COMPONENTS:



1	Chair Back	x1
2	Chair Seat	x1
3	Left Frame	x1
4	Right Frame	x1
5	Back Cushion	x1
6	Seat Cushion	x1

## COMPONENTS

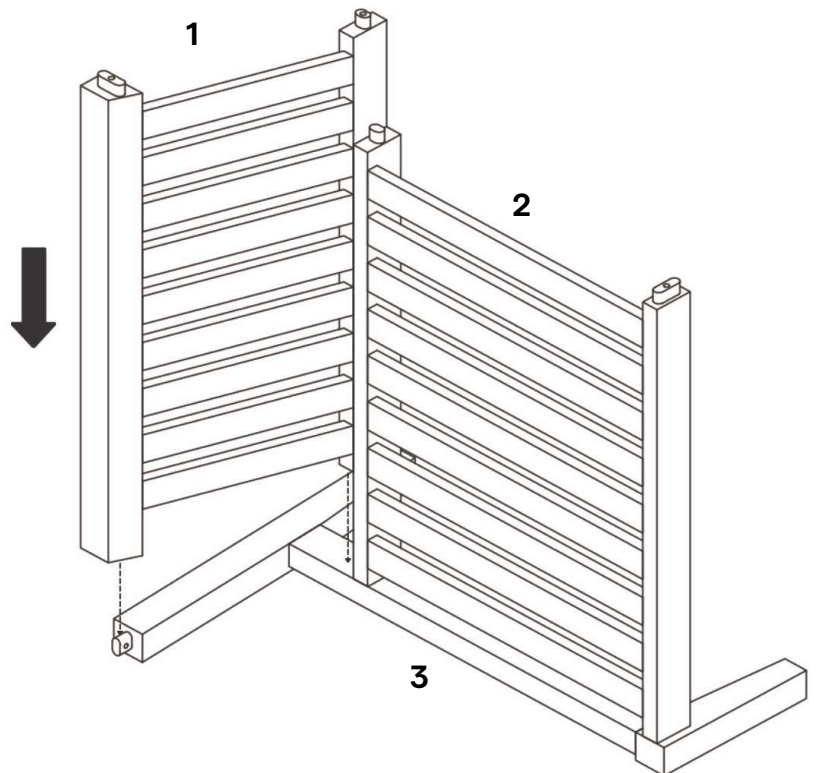
- |   |            |    |
|---|------------|----|
| ② | Chair Seat | x1 |
| ③ | Left Frame | x1 |



## STEP 02

## COMPONENTS

- |   |            |    |
|---|------------|----|
| ① | Chair Back | x1 |
| ② | Chair Seat | x1 |
| ③ | Left Frame | x1 |



COMPONENTS

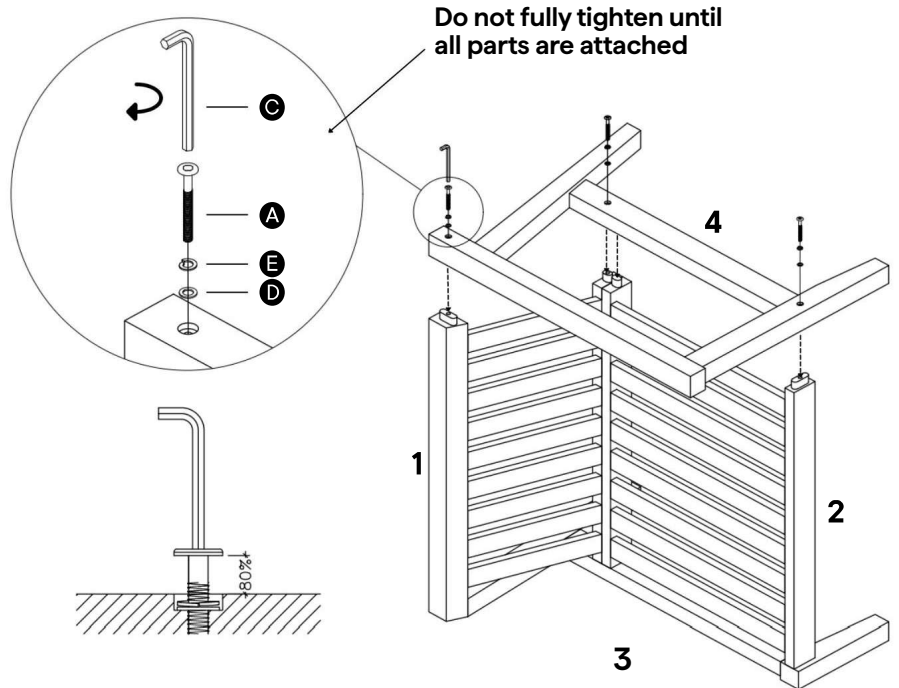
- ① Chair Back x1
- ② Chair Seat x1
- ③ Left Frame x1
- ④ Right Frame x1

HARDWARE

- Ⓐ JCBC Bolt M6x70mm x3
- Ⓓ Flat Washer x3
- Ⓔ Spring Washer x3

TOOLS

- Ⓒ Allen Key x1



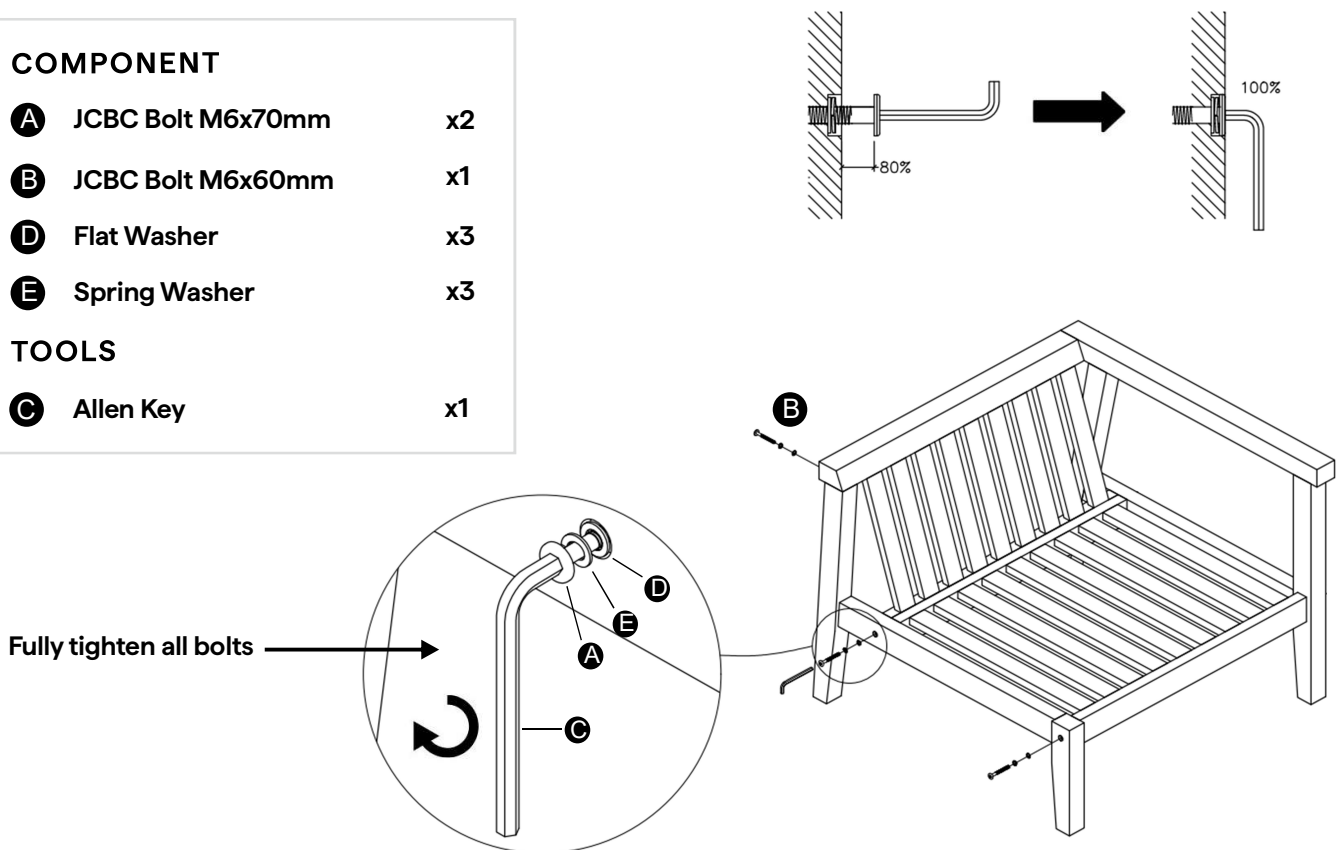
STEP 04

COMPONENT

- Ⓐ JCBC Bolt M6x70mm x2
- Ⓑ JCBC Bolt M6x60mm x1
- Ⓓ Flat Washer x3
- Ⓔ Spring Washer x3

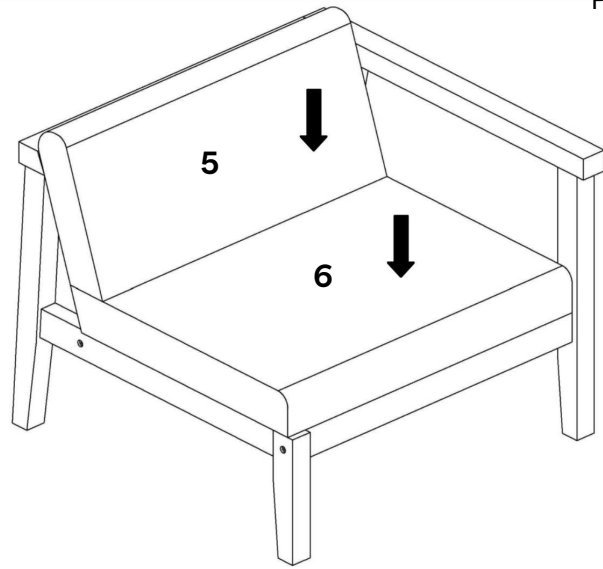
TOOLS

- Ⓒ Allen Key x1



**COMPONENTS**

- |          |                     |           |
|----------|---------------------|-----------|
| <b>5</b> | <b>Back Cushion</b> | <b>x1</b> |
| <b>6</b> | <b>Seat Cushion</b> | <b>x1</b> |



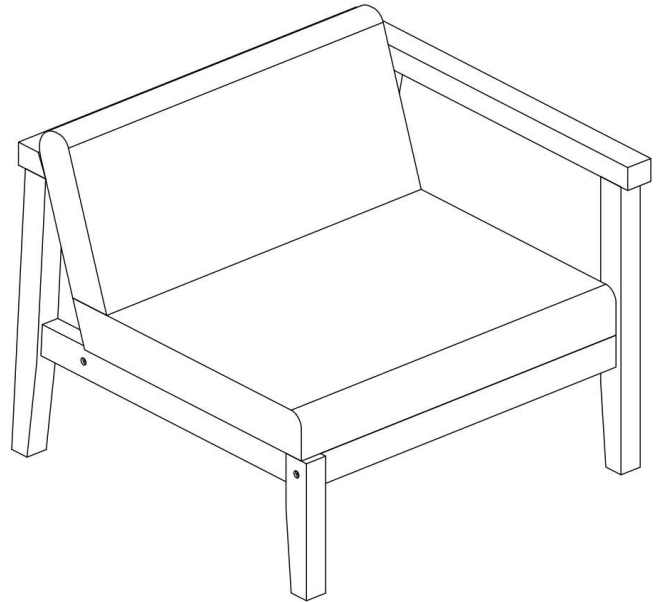
# Great job!

Your new Right-arm Chair is complete.

---

## CARING FOR YOUR ITEM

- Depending on use, it may be necessary to tighten the hardware from time to time, so please save the tools that have been provided.
- Not contract grade.
- Clean using a non-abrasive cloth and a mild cleaner.
- Retain the rich wood color by occasionally sanding lightly and applying a teak cleaner and protectant. The oils nourish and help restore the original look.



## CONNECT WITH US!

Tag us [@modway\\_furniture](#) and [#modway](#) for a chance to be featured.

# modway



Questions? Contact us!  
609.256.9000  
[cs@modway.com](mailto:cs@modway.com)