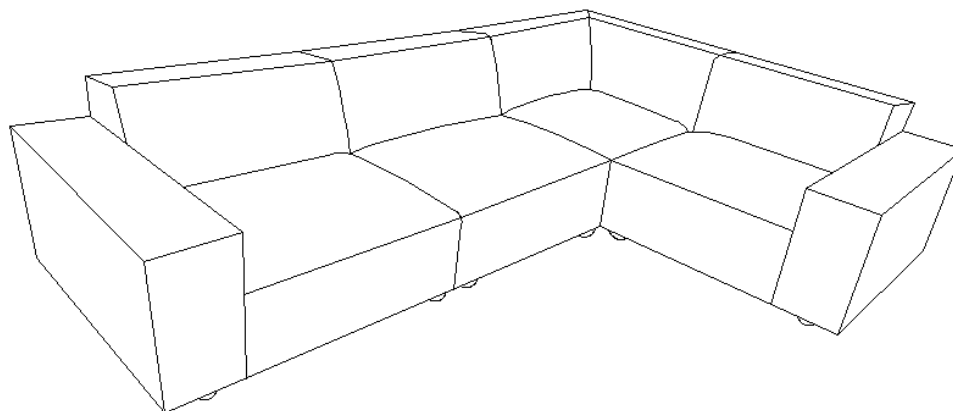


How to connect sofa sectional for EEI-3869 / EEI-3870 / EEI-3871 / ***modway** EEI-3872 / EEI-3873

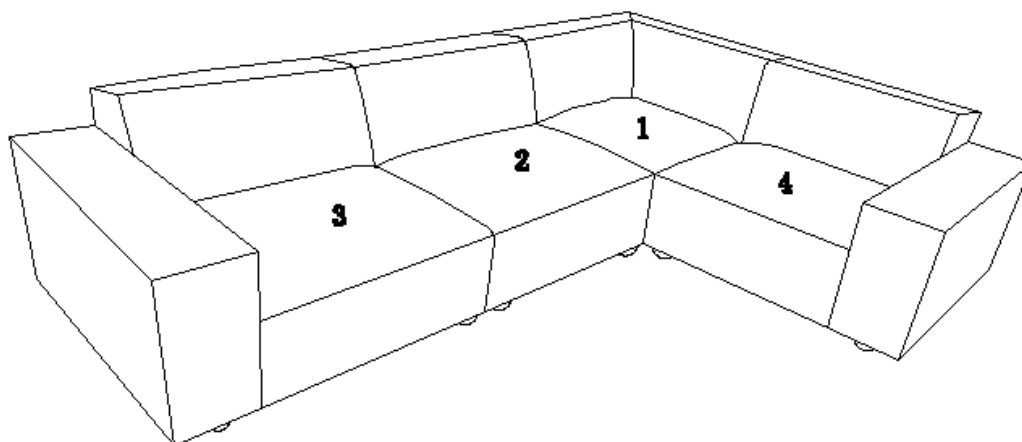
Thank you for purchasing the **MODWAY SOFA !**

Before you start, here is some helpful advice:

1. We suggest you spend a short time reading through this leaflet and then follow the simple step-by-step instructions.
 2. Owing to the size and weight of the sofa section, we recommend that it is assembled by two adults, on a carpeted or padded area, in the room that it is intended for. Approximate assembly time: 30 minutes.
 3. Please do not use any tools other than those provided or recommended in these instructions.
 4. Please do not throw away any of the packaging or instructions until you have checked all the components and hardware and the furniture is fully assembled.
 5. Assemble all components loosely until advised to tighten. Depending on use, it may be necessary to tighten the components from time to time, so please save the tools that have been provided.
 6. Please keep all the pieces out of reach of children.
-



Component:



1 EEI-3871 Corner Seat X1

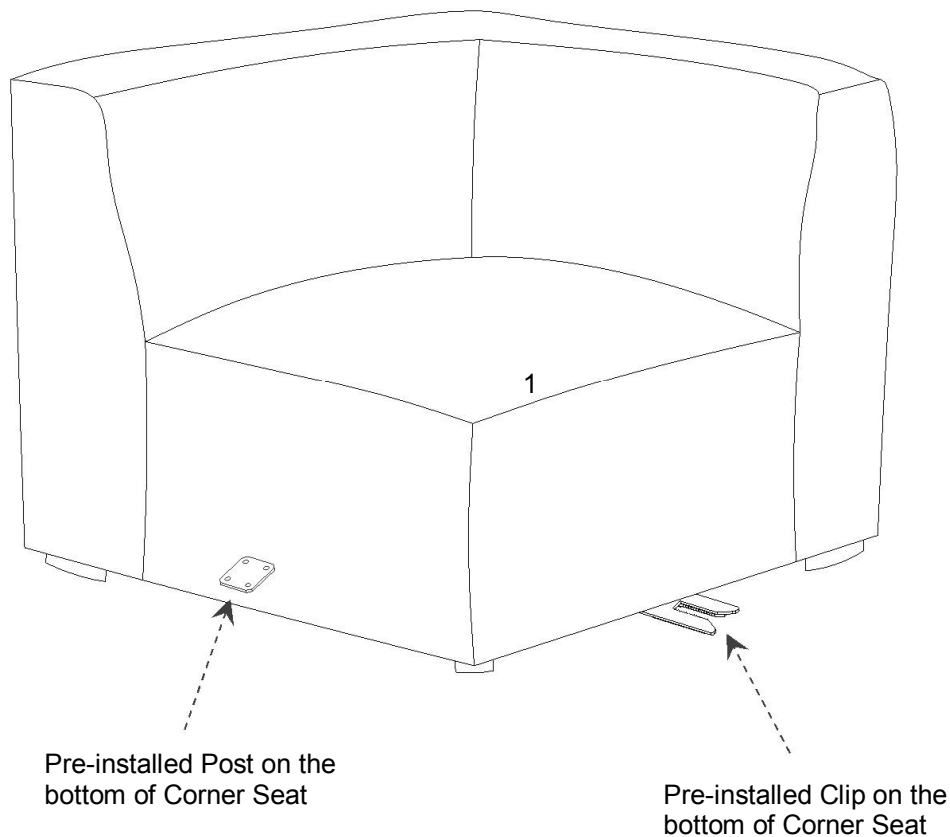
2 EEI-3872 Armless Chair X1

3 EEI-3869 Left Arm Chair X1

4 EEI-3870 Right Arm Chair X1

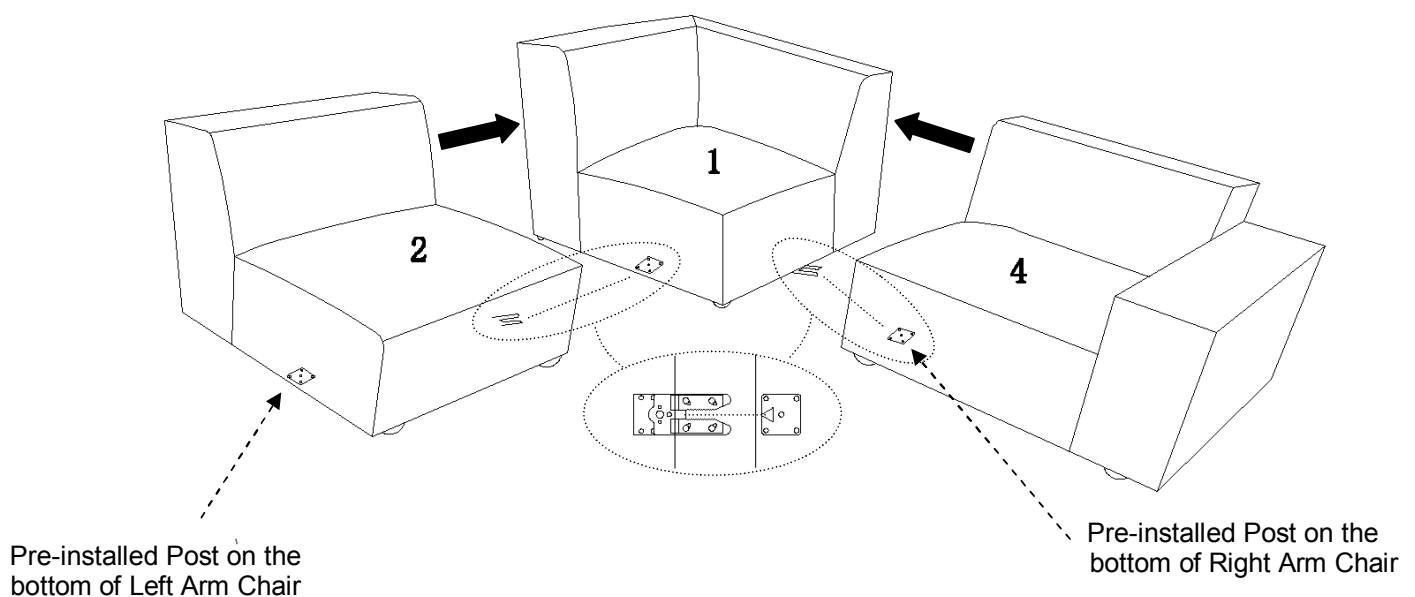
STEP 1:

Please carefully place **EEI-3871 Corner Seat (1)** at your desired location.



STEP 2:

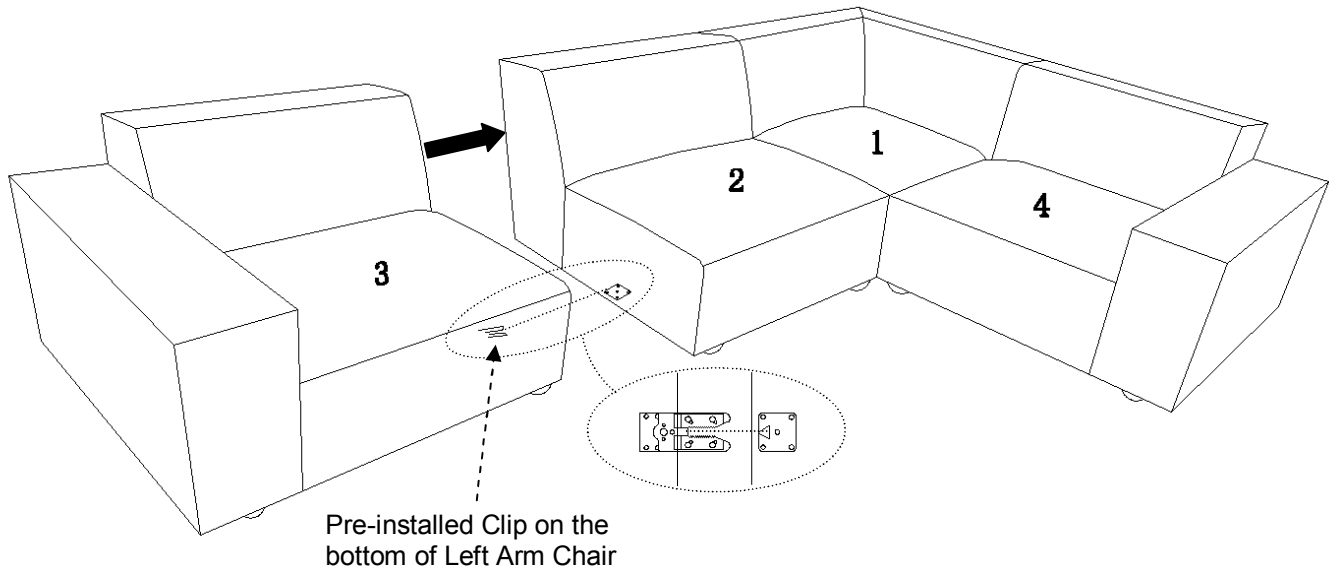
Put **EEI-3870 Right Arm Chair (4)** and **EEI-3872 Armless Chair(2)** close to **EEI-3871 Corner Seat (1)**. Align the pre-installed Clip to the pre-installed Post as shown. Push **EEI-3870 Right Arm Chair (4)** and **EEI-3872 Armless Chair (2)** slowly until the Clip and the Post click together tightly.



STEP 3:

Put **EEI-3869 Left Arm Chair (3)** close to **EEI-3872 Armless Chair (2)**.

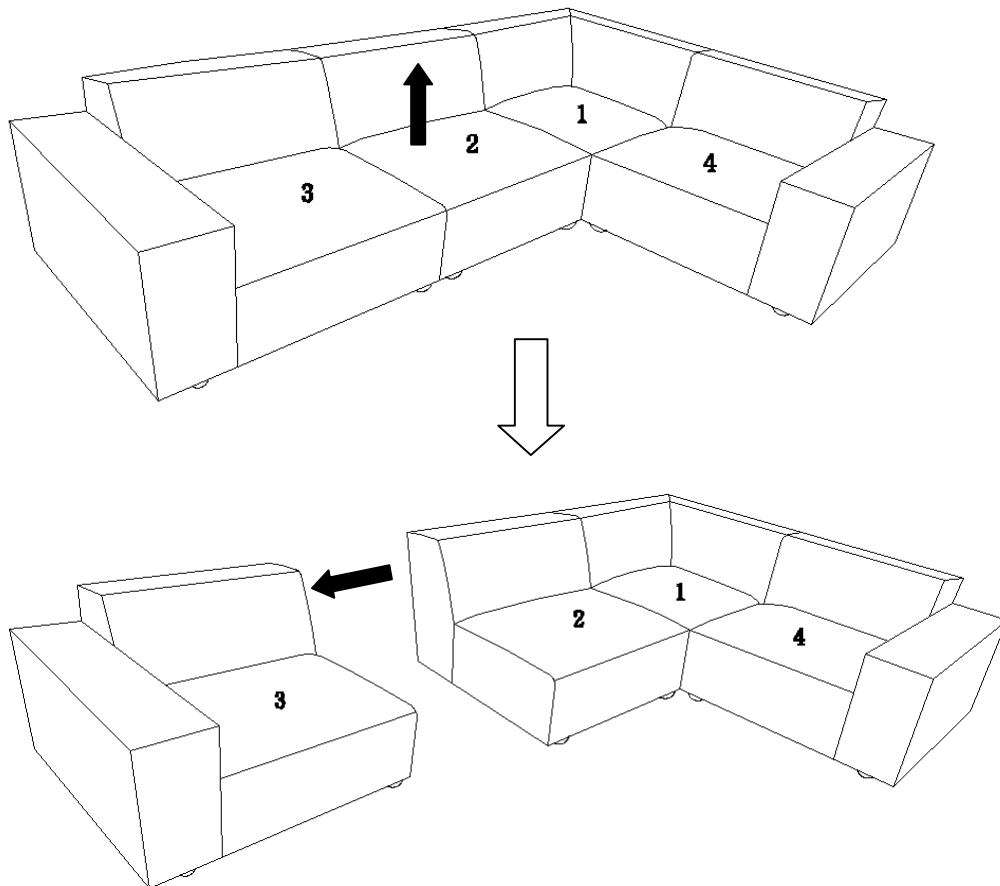
Align the pre-installed Clip to the pre-installed Post as shown. Push **EEI-3869 Left Arm Chair (3)** slowly until the Clip and the Post click together tightly.



Assembly is complete. Your sofa combination is ready to be used now!

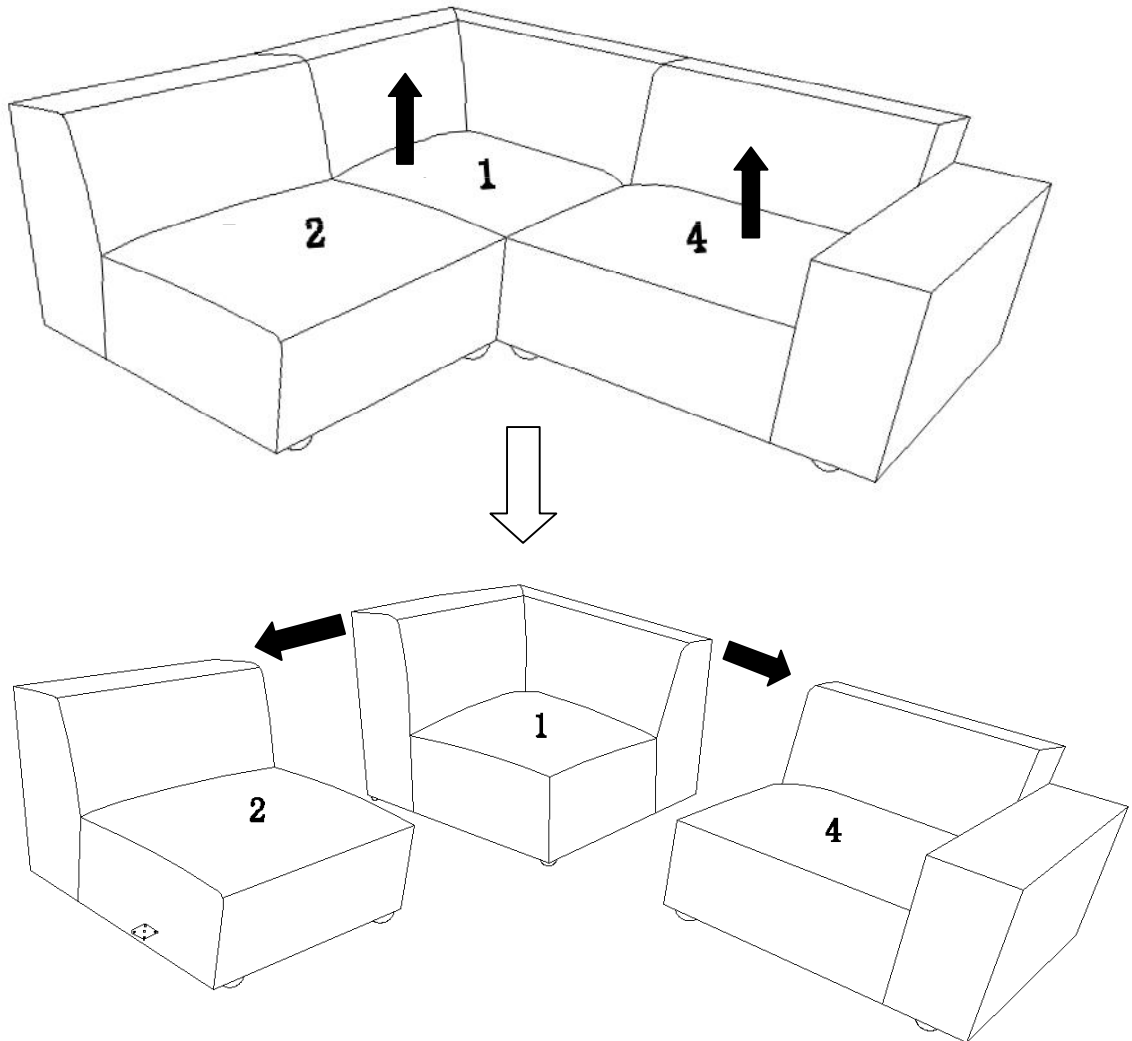
If you want to unlock the sofa combination:

Lift up **EEI-3872 Armless Chair (2)** and move **EEI-3869 Left Arm Chair (3)** apart from **EEI-3872 Armless Chair (2)**.



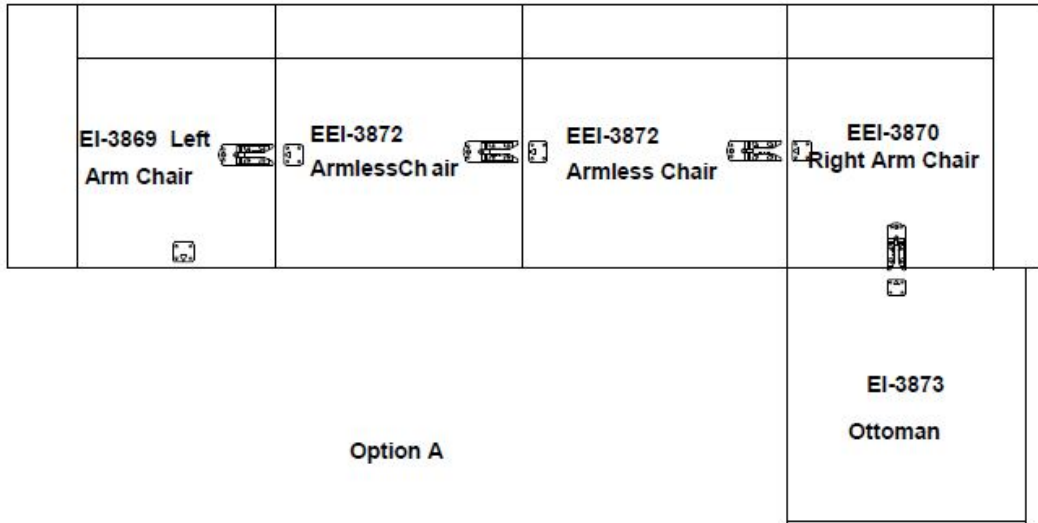
Lift up **EEI-3871 Corner Seat (1)** and move **EEI-3872 Armless Chair (2)** apart from **EEI-3871 Corner Seat (1)** as shown.

Lift up **EEI-3870 Right Arm Chair (4)** and move **EEI-3870 Right Arm Chair (4)** apart from **EEI-3871 Corner Seat (1)**.

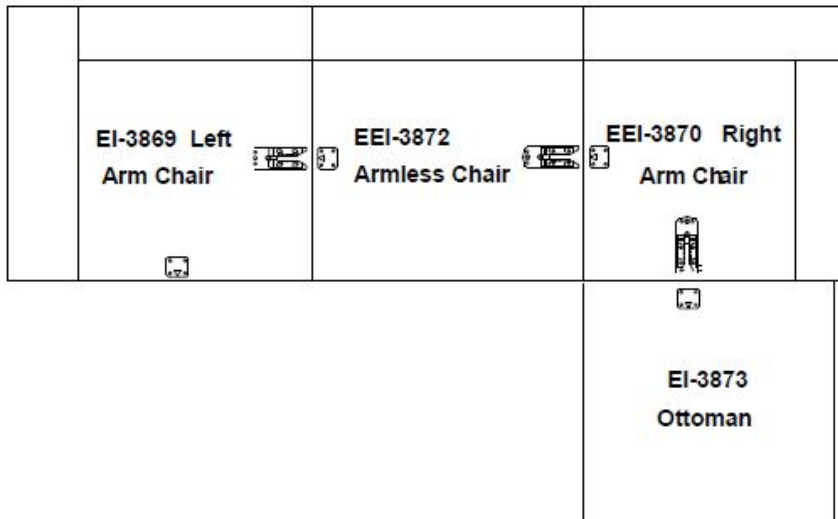


ASSEMBLY FOR EEI-3873 OTTOMAN

If you want to lock **EEI-3873 Ottoman** to the sofa combination, the assembly instruction is as the following:



Option A



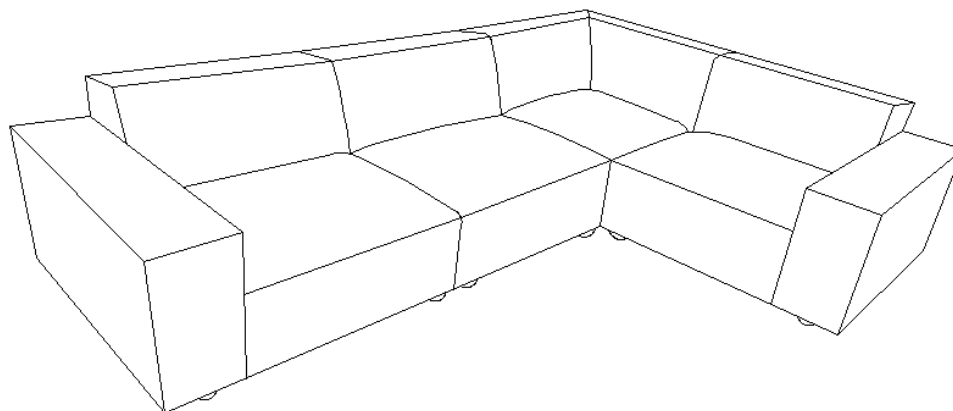
Option B

How to connect sofa sectional for EEI-3869 / EEI-3870 / EEI-3871 / ***modway** EEI-3872 / EEI-3873

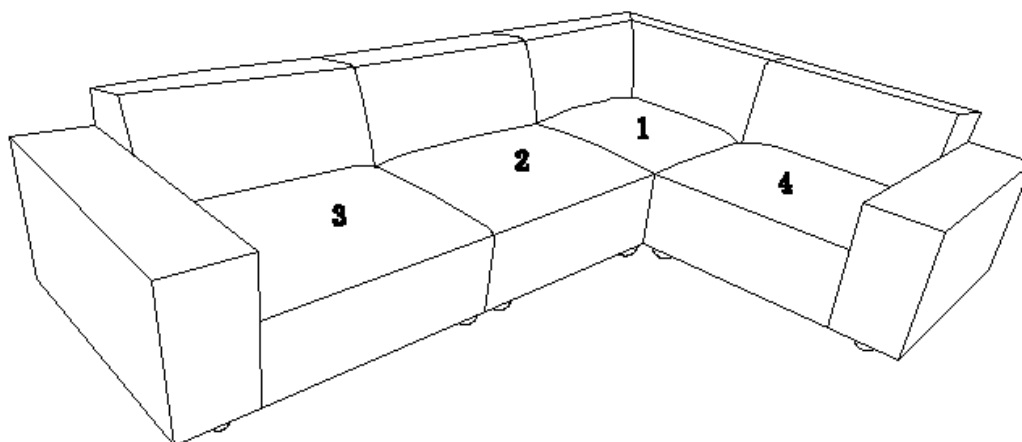
Thank you for purchasing the **MODWAY SOFA** !

Before you start, here is some helpful advice:

1. We suggest you spend a short time reading through this leaflet and then follow the simple step-by-step instructions.
 2. Owing to the size and weight of the sofa section, we recommend that it is assembled by two adults, on a carpeted or padded area, in the room that it is intended for. Approximate assembly time: 30 minutes.
 3. Please do not use any tools other than those provided or recommended in these instructions.
 4. Please do not throw away any of the packaging or instructions until you have checked all the components and hardware and the furniture is fully assembled.
 5. Assemble all components loosely until advised to tighten. Depending on use, it may be necessary to tighten the components from time to time, so please save the tools that have been provided.
 6. Please keep all the pieces out of reach of children.
-



Component:



1 EEI-3871 Corner Seat X1

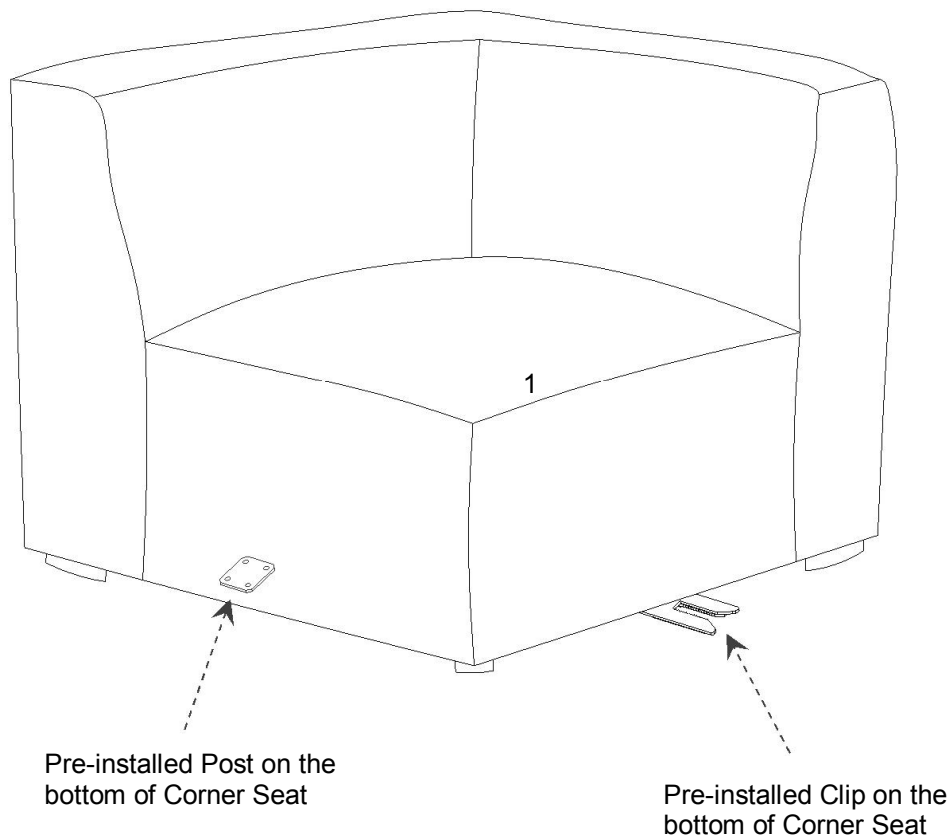
2 EEI-3872 Armless Chair X1

3 EEI-3869 Left Arm Chair X1

4 EEI-3870 Right Arm Chair X1

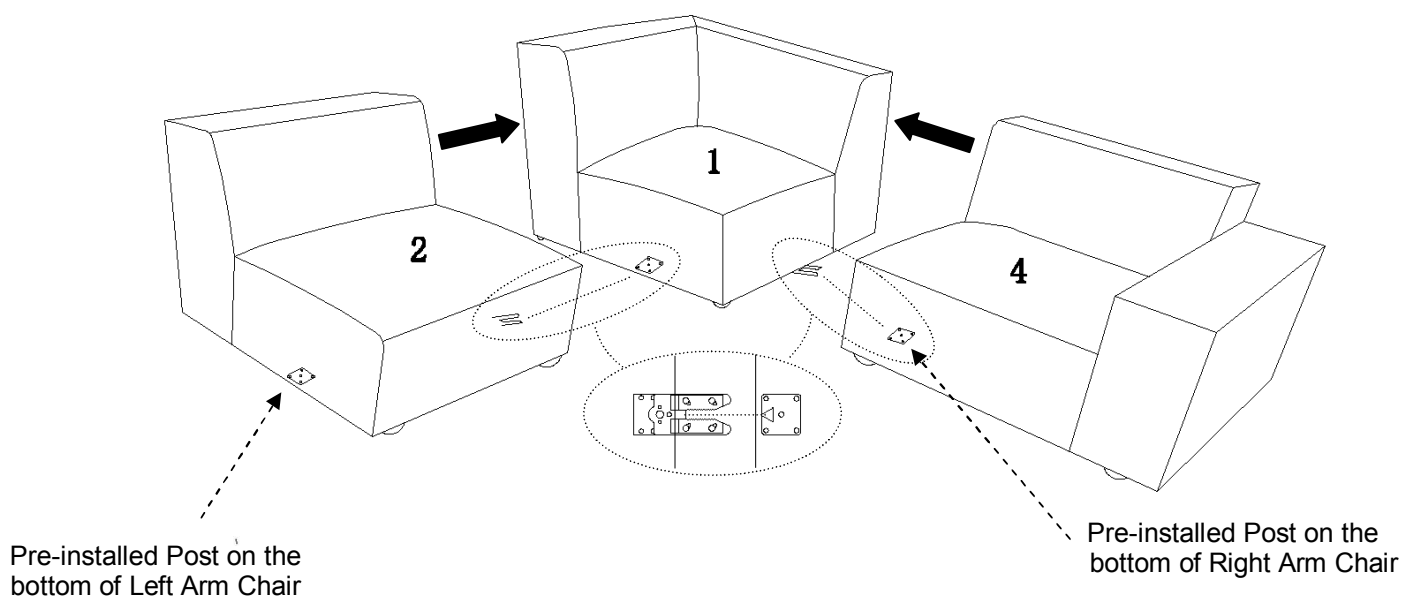
STEP 1:

Please carefully place **EEI-3871 Corner Seat (1)** at your desired location.



STEP 2:

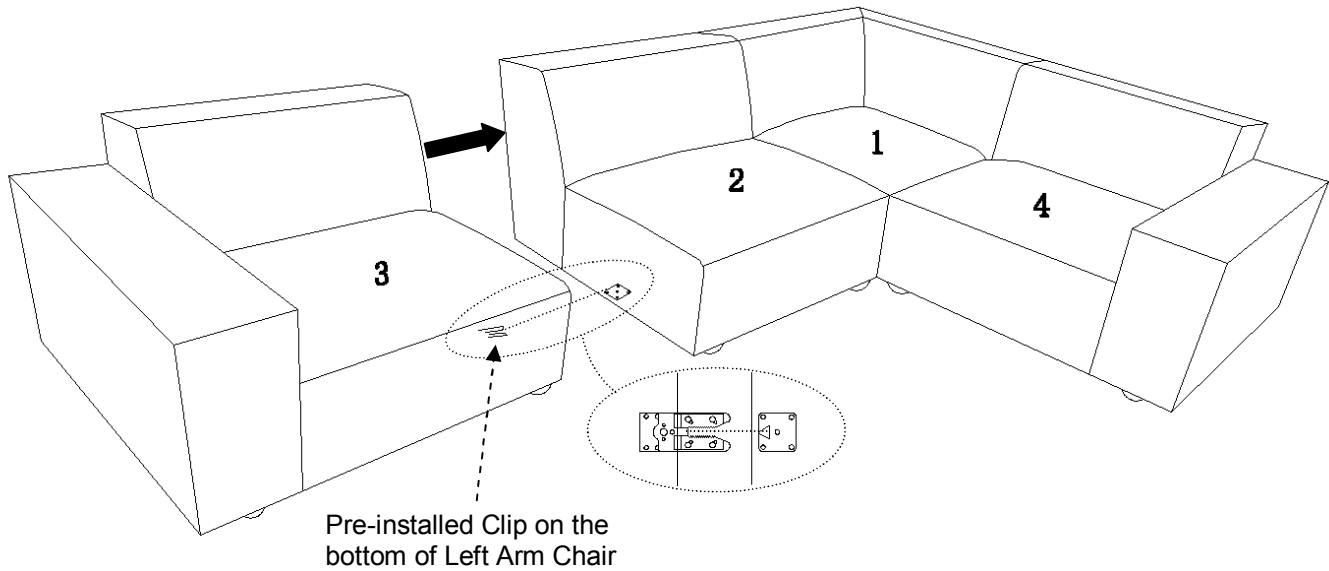
Put **EEI-3870 Right Arm Chair (4)** and **EEI-3872 Armless Chair(2)** close to **EEI-3871 Corner Seat (1)**. Align the pre-installed Clip to the pre-installed Post as shown. Push **EEI-3870 Right Arm Chair (4)** and **EEI-3872 Armless Chair (2)** slowly until the Clip and the Post click together tightly.



STEP 3:

Put **EEI-3869 Left Arm Chair (3)** close to **EEI-3872 Armless Chair (2)**.

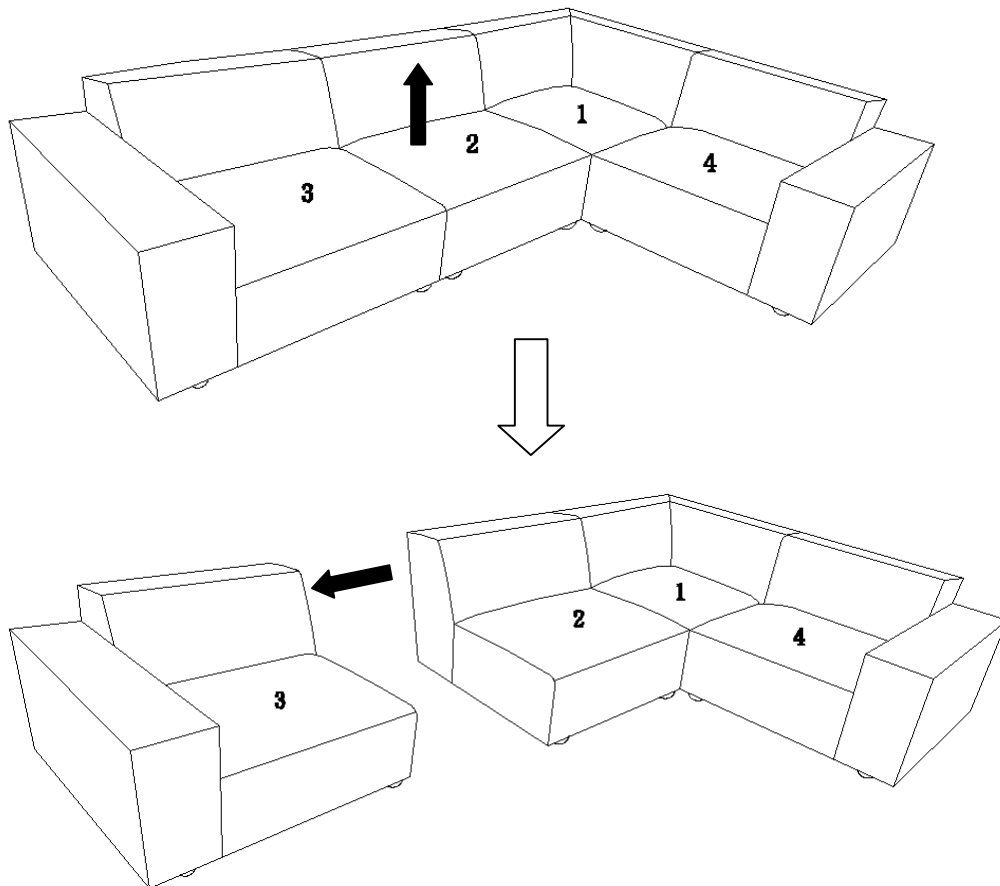
Align the pre-installed Clip to the pre-installed Post as shown. Push **EEI-3869 Left Arm Chair (3)** slowly until the Clip and the Post click together tightly.



Assembly is complete. Your sofa combination is ready to be used now!

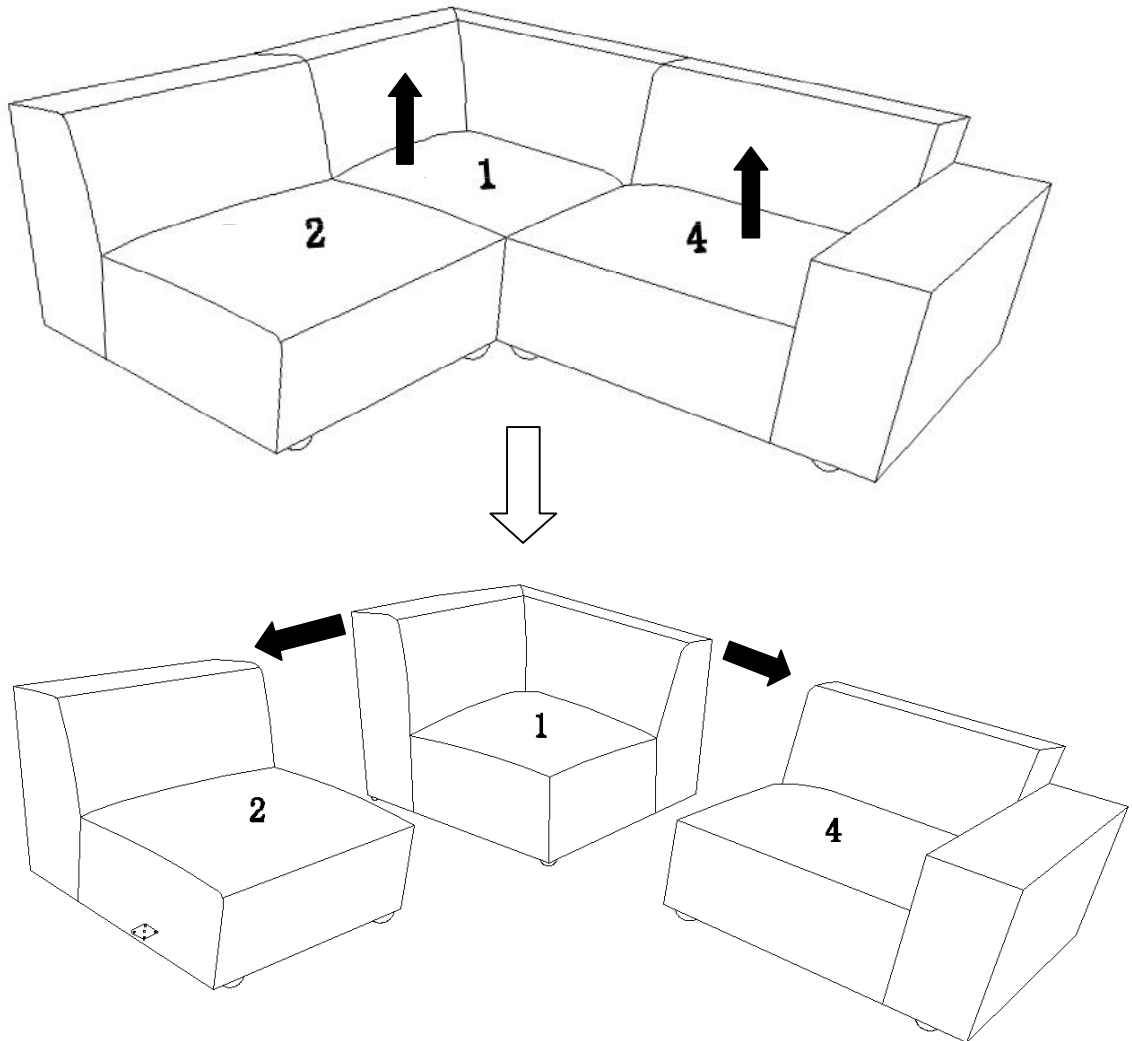
If you want to unlock the sofa combination:

Lift up **EEI-3872 Armless Chair (2)** and move **EEI-3869 Left Arm Chair (3)** apart from **EEI-3872 Armless Chair (2)**.



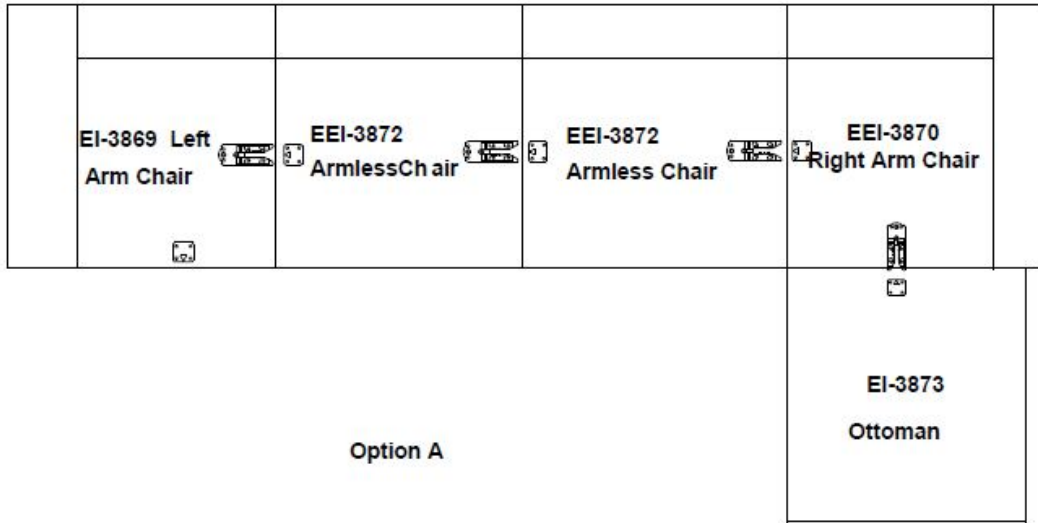
Lift up **EEI-3871 Corner Seat (1)** and move **EEI-3872 Armless Chair (2)** apart from **EEI-3871 Corner Seat (1)** as shown.

Lift up **EEI-3870 Right Arm Chair (4)** and move **EEI-3870 Right Arm Chair (4)** apart from **EEI-3871 Corner Seat (1)**.

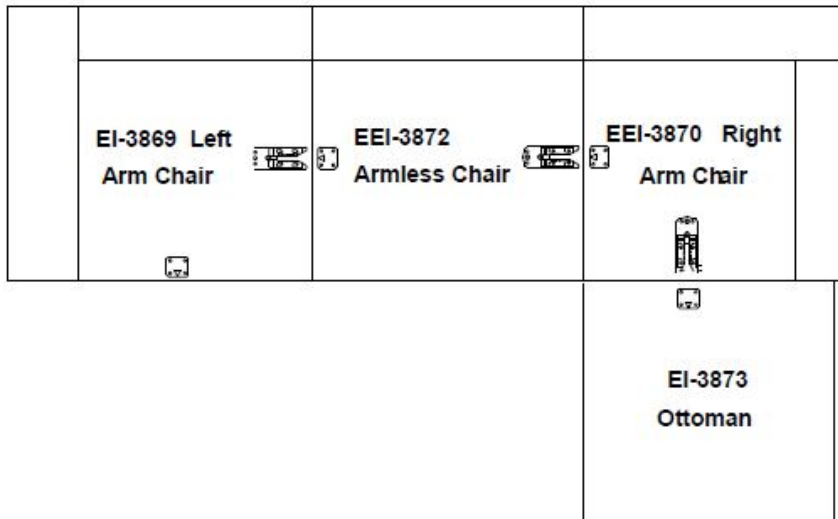


ASSEMBLY FOR EEI-3873 OTTOMAN

If you want to lock **EEI-3873 Ottoman** to the sofa combination, the assembly instruction is as the following:



Option A



Option B