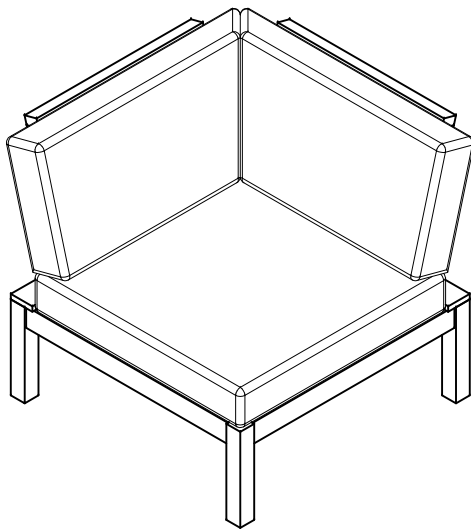


Thank you for purchasing the **MODWAY CONER!**

Before you start, here are some helpful advice:

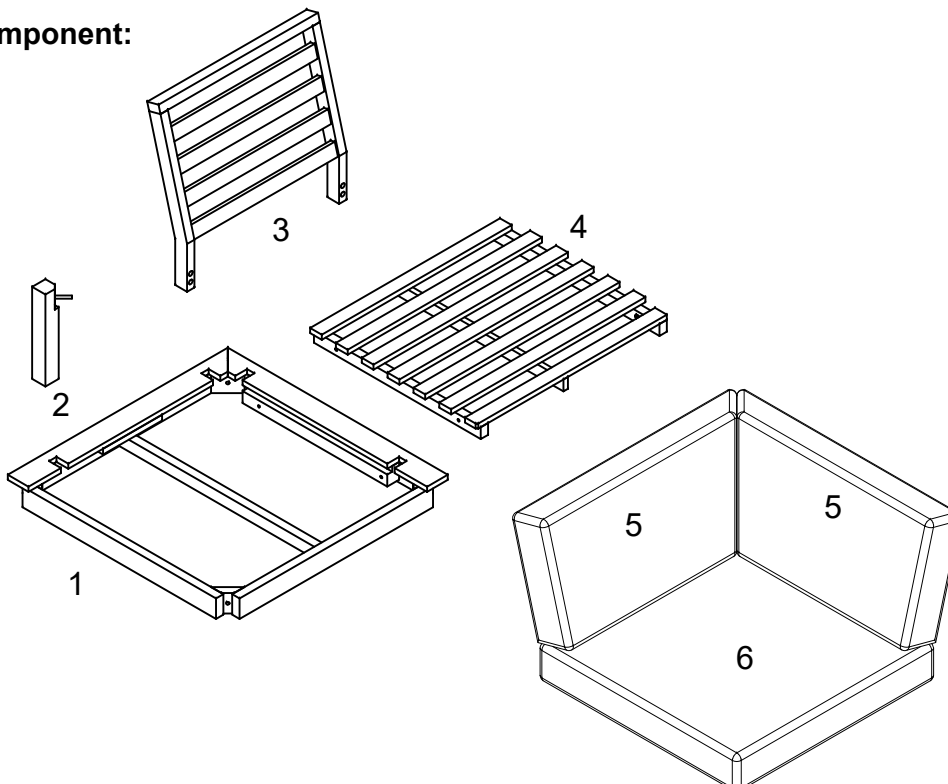
1. We suggest you spend a short time reading through this leaflet and then follow the simple step by step instructions.
2. Owing to the size and weight of the corner, we recommend that it is assembled by two adults, on a carpeted or padded area, in the room that it is intended for. Approximate assembly time: 30 minutes.
3. Please do not use any tools other than those provided or recommended in these instructions.
4. Please do not throw away any of the packaging or instructions until you have checked all the components and hardware and the furniture is fully assembled.
5. Assemble all components loosely until advised to tighten. Depending on use, it may be necessary to tighten the components from time to time, so please save the tools that have been provided.
6. Please keep all pieces out of reach of children.



### Hardware:

A		Washer M9x20mm	x 8
B		Lock Nut M8x13mm	x 4
C		Wrench M13	x 1
D		Bolt M6x55mm	x 4
E		Bolt M6x50mm	x 4
F		Screw M6x40mm	x 4
G		Screw M4x20mm	x 8
H		Pat	x 4
K		Allen Wrench M4	x 2

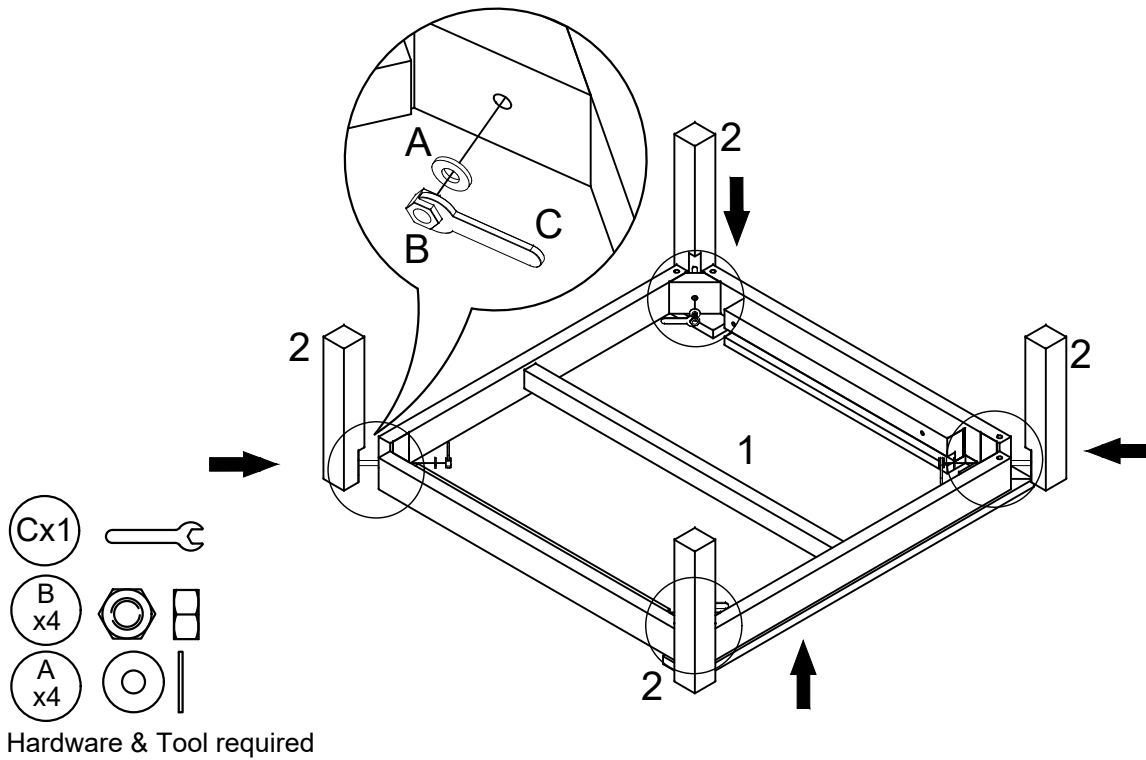
### Component:



1. Seat Frame	x1
2. Leg	x4
3. Back	x2
4. Seat	x1
5. Back Cushion	x2
6. Seat Cushion	x1

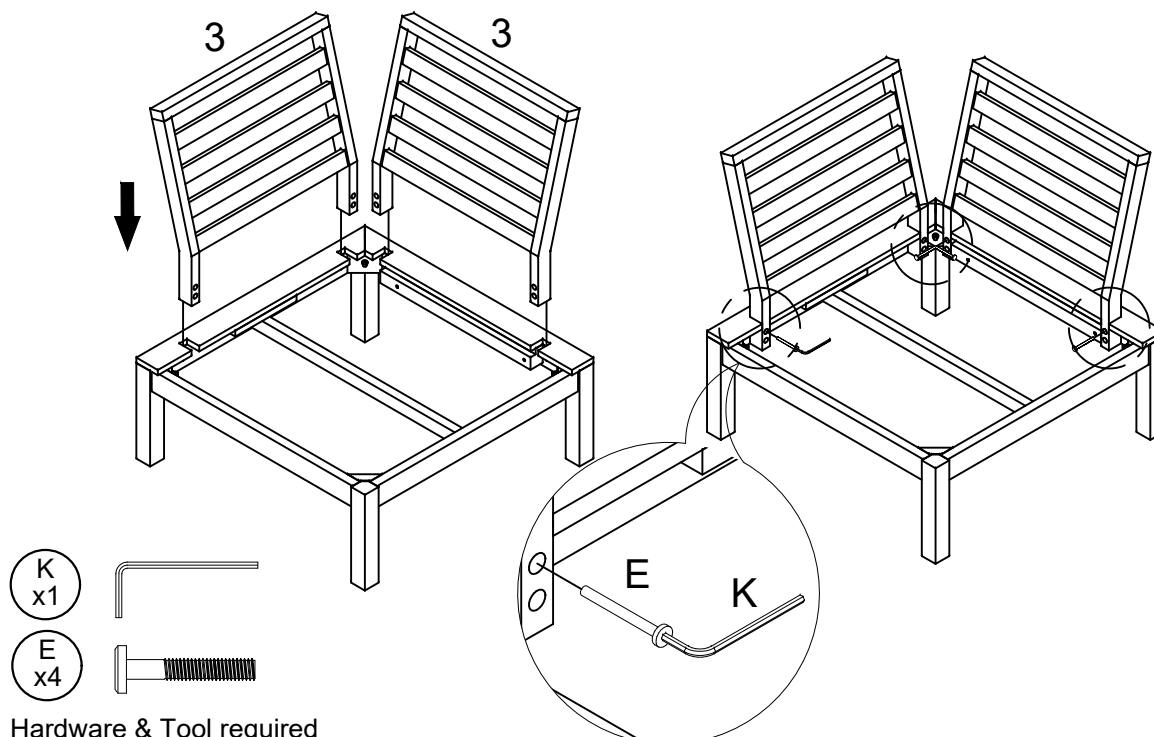
## STEP 1:

Attach 1 piece of **Leg (2)** to **Table Top (1)**.  
 Then install 1 piece of **Washer (A)** and 1 piece of **Lock Nut (B)** to the **Leg (2)**.  
 Use **Wrench (C)** to secure **Lock Nut (B)** as shown.  
 Repeat the same steps for the other 3 pieces of **Legs (2)**.



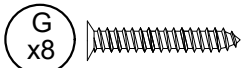
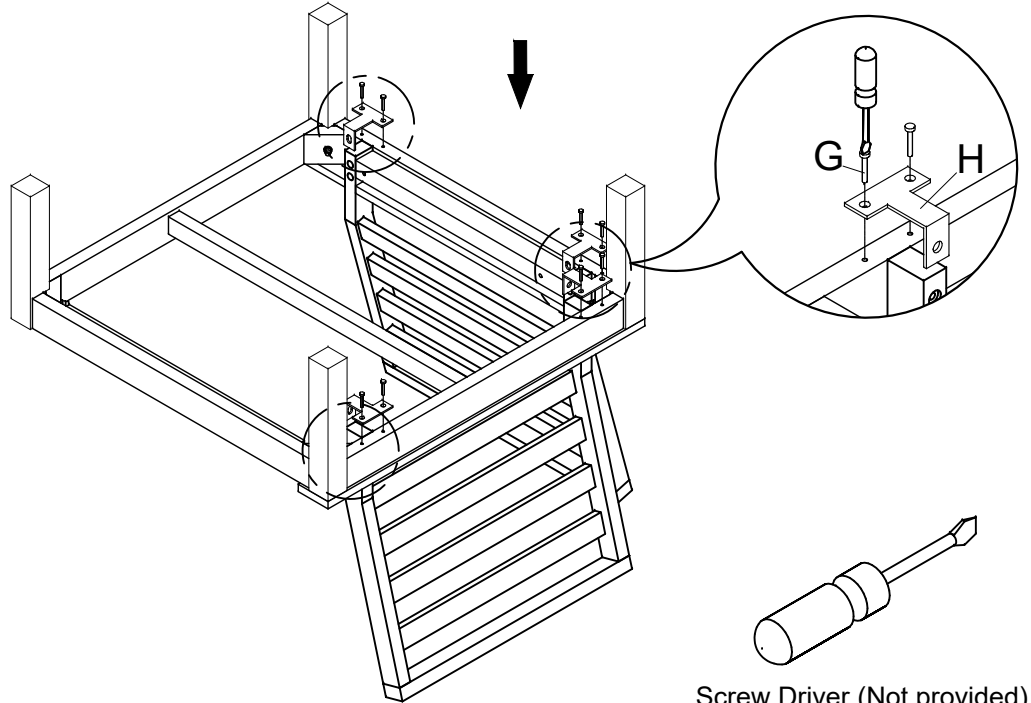
## STEP 2:

Attach 2 pieces of **Back (3)** to **Seat Frame (1)** as shown.  
 Then insert 4 pieces of **Bolts (E)** through **Back (3)** into **Seat Frame (1)**.  
 Tighten with **Allen Wrench (K)**.



### STEP 3:

Attach 2 pieces of **Pats (H)** to **Seat (1)** and **Back (3)**.  
 Then install 4 pieces of **Screws (G)** through **Pats (H)** into **Seat (1)**.  
 Tighten with **Screw Driver (Not provided)**.  
 Repeat the same steps for the remaining **Back (3)**.

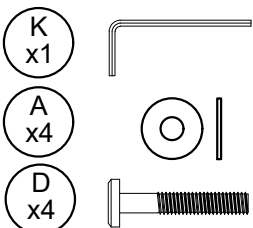
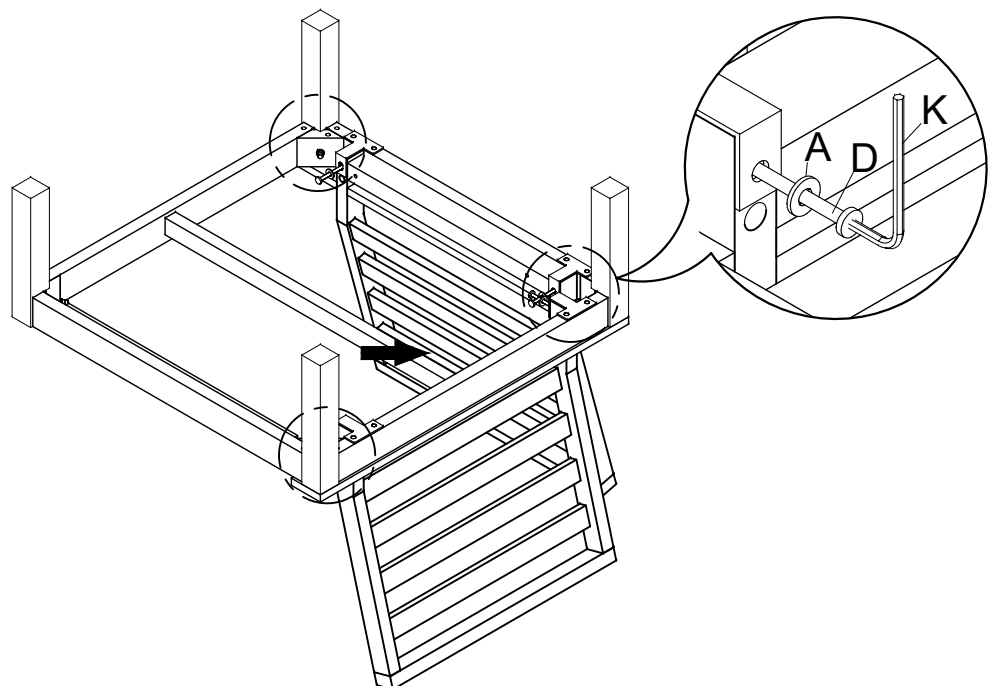


Hardware & Tool required

Screw Driver (Not provided)

### STEP 4:

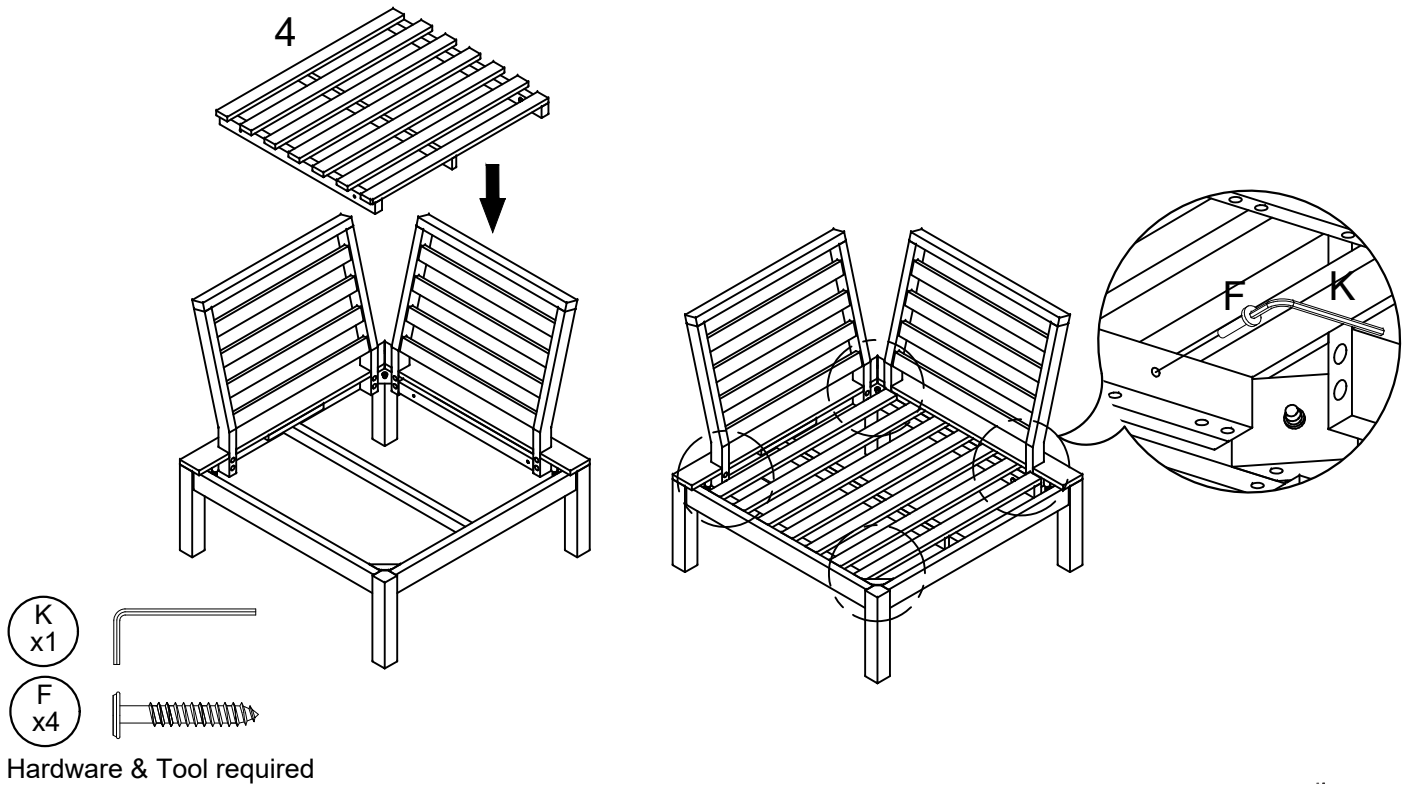
Insert 4 pieces of **Washers (A)** and 4 pieces of **Bolts (D)** through **Pat (H)** into **Back (3)**.  
 Tighten with **Allen Wrench (K)**.



Hardware & Tool required

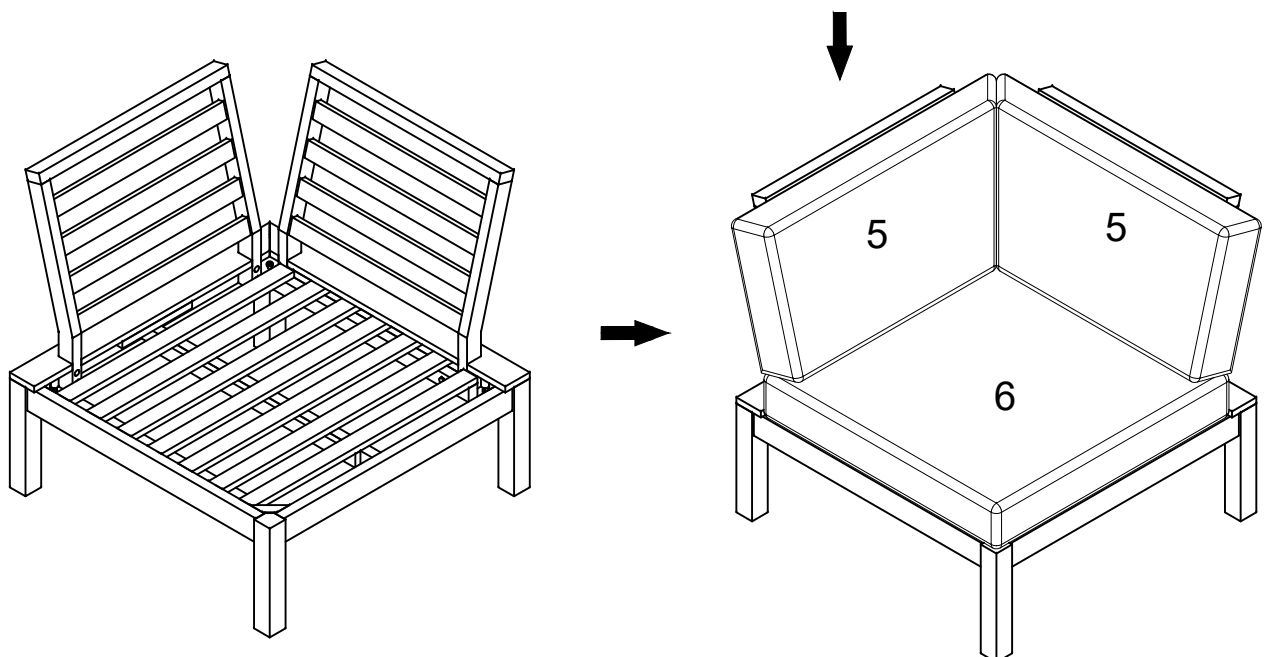
## STEP 5:

Attach **Seat (4)** to **Seat Frame (1)** as shown.  
 Then insert 4 pieces of **Screws (F)** through **Seat (4)** into **Seat Frame (1)**.  
 Tighten with **Allen Wrench (K)**.



## STEP 6:

Carefully position the assembled corner to the desired location.  
 Put 2 pieces of the **Back Cushions (5)** and 1 pieces of the **Seat Cushion (6)** into the assembled corner as shown.



Assembly is complete. Your corner is ready to be used now!