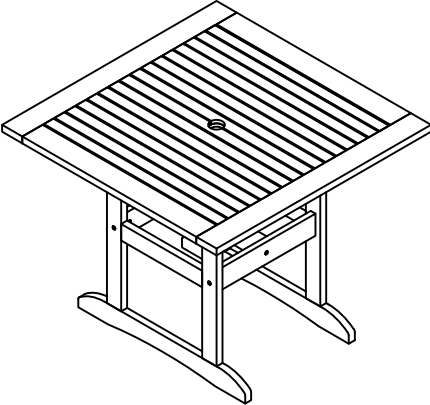
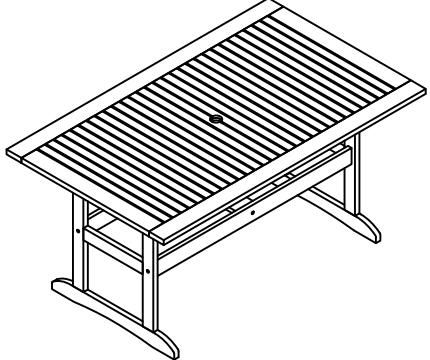



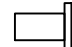




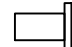




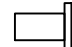



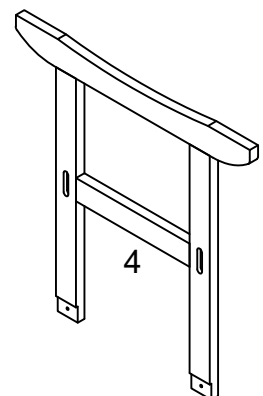
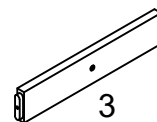
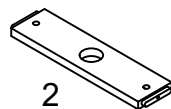
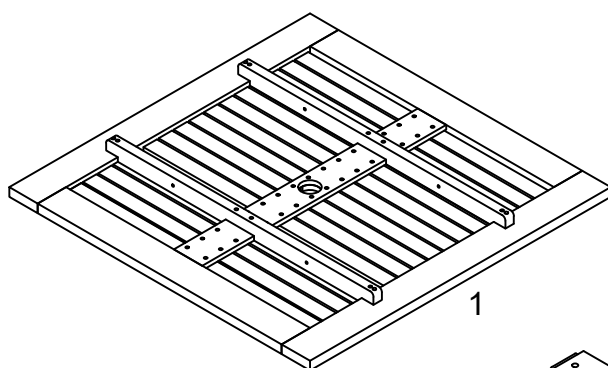
Thank you for purchasing the **MODWAY TABLE!**

Before you start, here are some helpful advice:

1. We suggest you spend a short time reading through this leaflet and then follow the simple step by step instructions.
2. Owing to the size and weight of the table, we recommend that it is assembled by two adults, on a carpeted or padded area, in the room that it is intended for. Approximate assembly time: 30 minutes.
3. Please do not use any tools other than those provided or recommended in these instructions.
4. Please do not throw away any of the packaging or instructions until you have checked all the components and hardware and the furniture is fully assembled.
5. Assemble all components loosely until advised to tighten. Depending on use, it may be necessary to tighten the components from time to time, so please save the tools that have been provided.
6. Please keep all pieces out of reach of children.

<b>EEI-3674</b> 	<b>EEI-3675</b>  <p>The assembly steps are the same as EEI-3674</p>	<b>Hardware:</b> <table style="width: 100%; border-collapse: collapse;"> <tr> <td style="width: 5%; text-align: center;">A</td> <td style="width: 15%;"></td> <td style="width: 60%;">Bolt M6x60mm</td> <td style="width: 20%; text-align: right;">x 6</td> </tr> <tr> <td style="text-align: center;">B</td> <td></td> <td>Nut M6</td> <td style="text-align: right;">x 6</td> </tr> <tr> <td style="text-align: center;">C</td> <td></td> <td>Bolt M6x40mm</td> <td style="text-align: right;">x 4</td> </tr> <tr> <td style="text-align: center;">D</td> <td></td> <td>Cap M6</td> <td style="text-align: right;">x 4</td> </tr> <tr> <td style="text-align: center;">E</td> <td></td> <td>Allen Wrench M4</td> <td style="text-align: right;">x 2</td> </tr> </table>	A		Bolt M6x60mm	x 6	B		Nut M6	x 6	C		Bolt M6x40mm	x 4	D		Cap M6	x 4	E		Allen Wrench M4	x 2
A		Bolt M6x60mm	x 6																			
B		Nut M6	x 6																			
C		Bolt M6x40mm	x 4																			
D		Cap M6	x 4																			
E		Allen Wrench M4	x 2																			

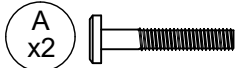
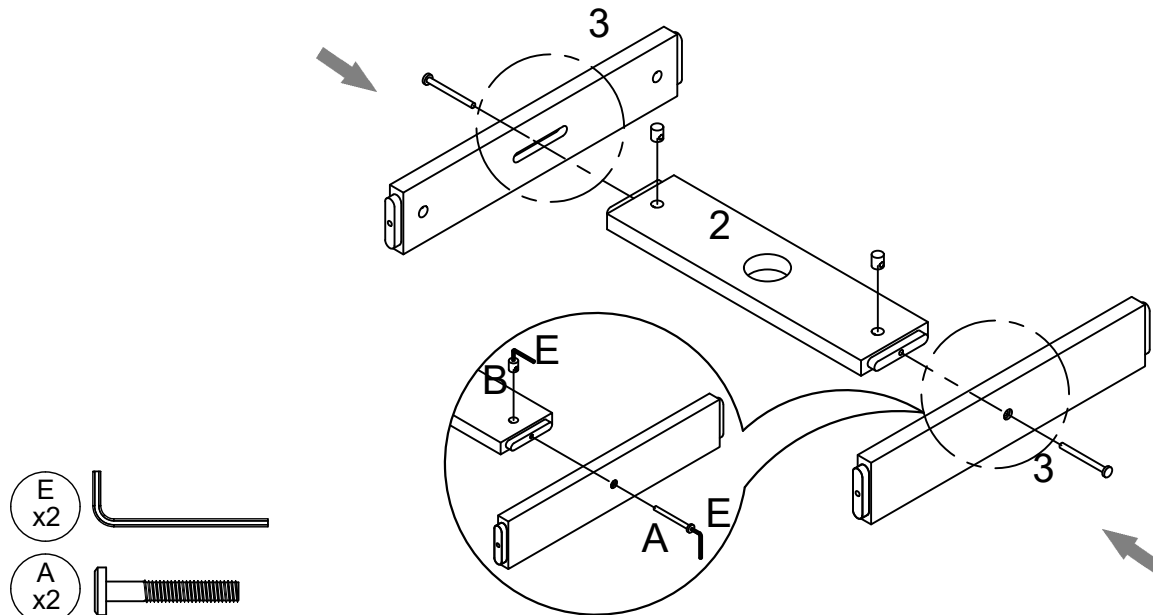
**Component:**



- |                 |    |
|-----------------|----|
| 1. Table Top    | x1 |
| 2. Umbrella Bar | x1 |
| 3. Brace Rails  | x2 |
| 4. Leg Frame    | x2 |

**STEP 1:**

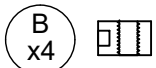
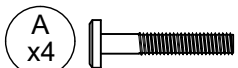
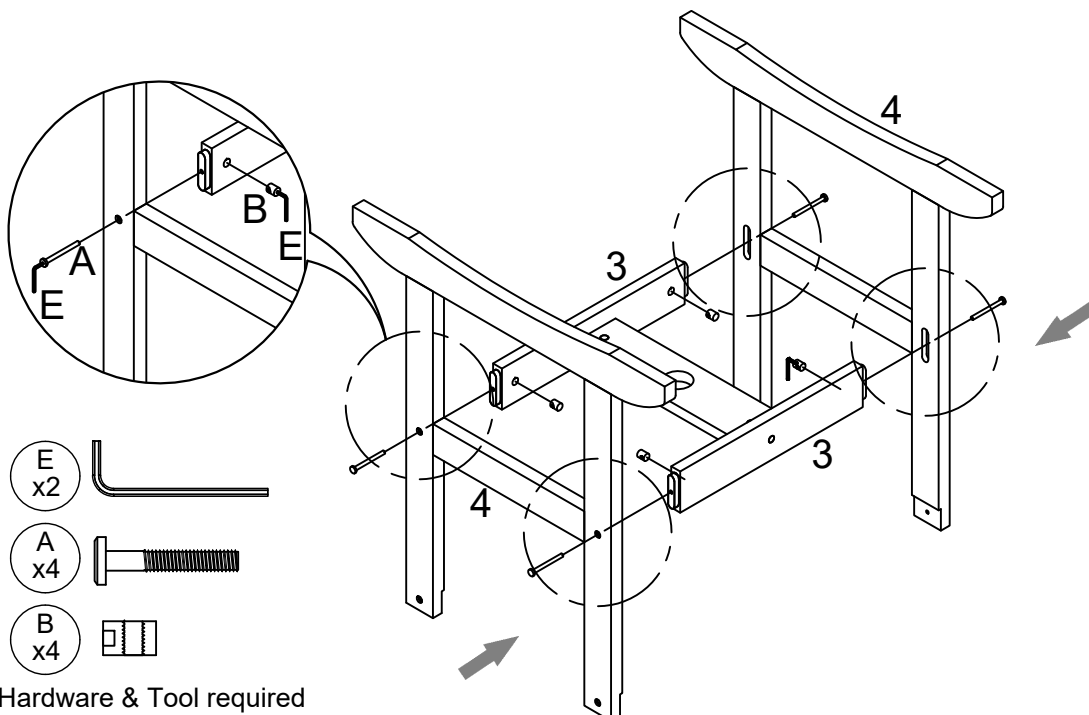
Please attach 2 pieces of **Brace Rails (2)** with the **Umbrella Bar (3)** as shown. Insert 2 pieces of **Bolts (A)** and 2 pieces of **Nuts (B)** to the **Brace Rails (2)** each side (Left and Right). Tighten with 2 pieces of **Allen Wrench (E)**.



Hardware & Tool required

**STEP 2:**

Please attach 2 pieces of **Leg Frame (4)** to the **Brace Rails (2)** as shown. Insert 2 pieces of **Bolts (A)** and 2 pieces of **Nuts (B)** to the **Leg Frame (4)** each side (Left and Right). Tighten with 2 pieces of **Allen Wrench (E)**. Repeat the same steps for the other **Leg Frame (4)**.



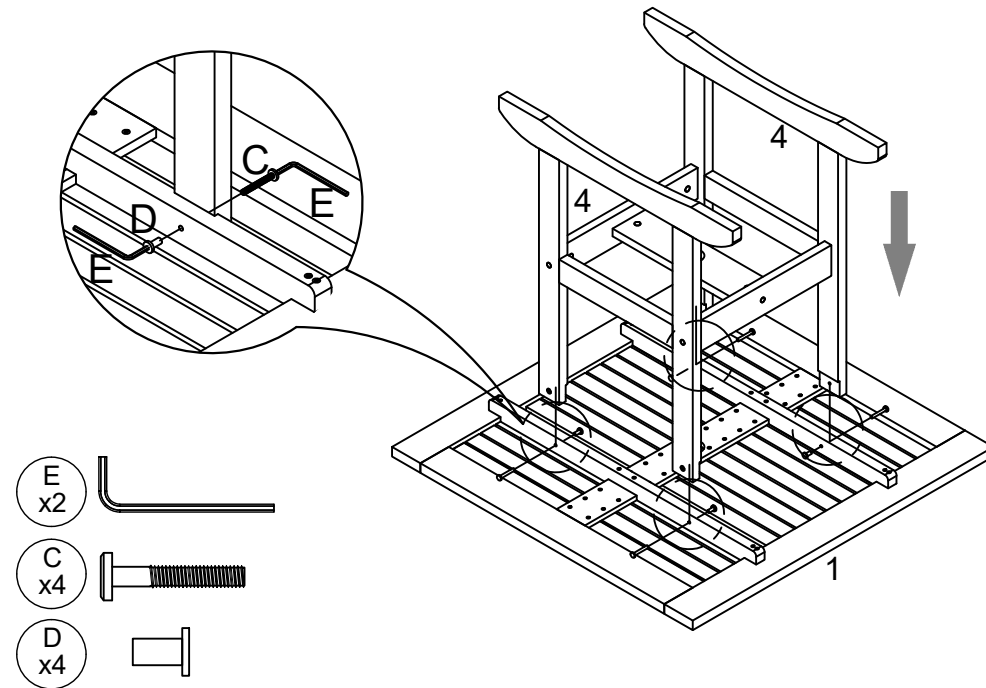
Hardware & Tool required

## STEP 3:

Attach **Legs Frame (4)** to **Table Top (1)** as shown.

Insert 4 pieces of **Caps (D)** into **Table Top (1)**, then insert 4 pieces of **Bolts (C)** through **Legs Frame (4)** into **Table Top (1)**.

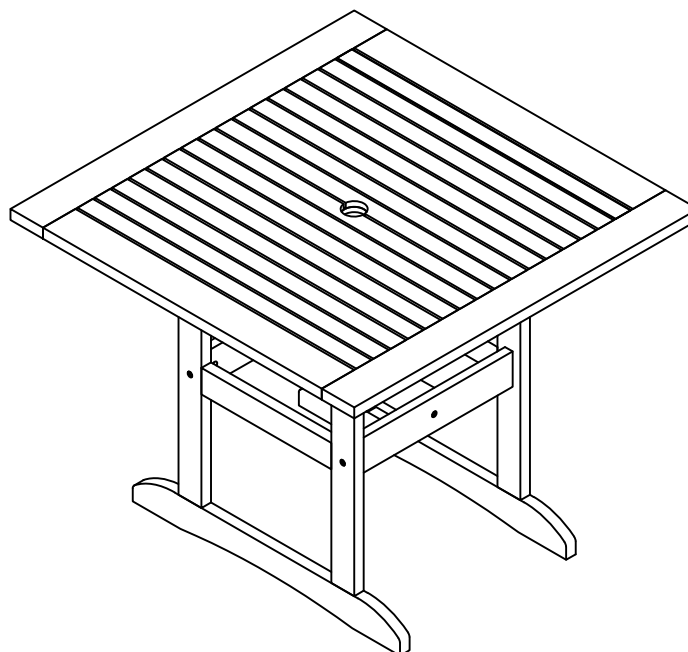
Tighten with 2 pieces of **Allen Wrench (E)**.



Hardware & Tool required

## STEP 4:

Carefully position the assembled table to the desired location.



Assembly is complete. Your table is ready to be used now!