

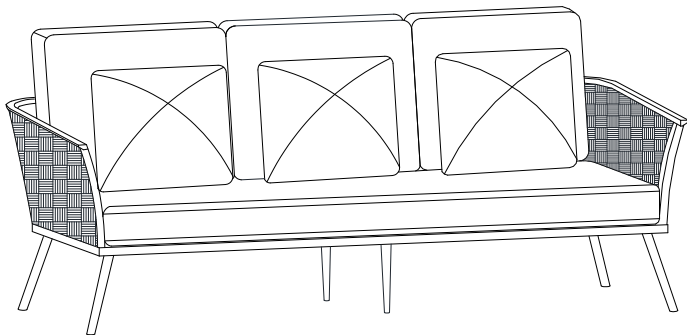
# EEI-3020 SOFA



Thank you for purchasing the MODWAY SOFA.

Before you start, here are some helpful advice:

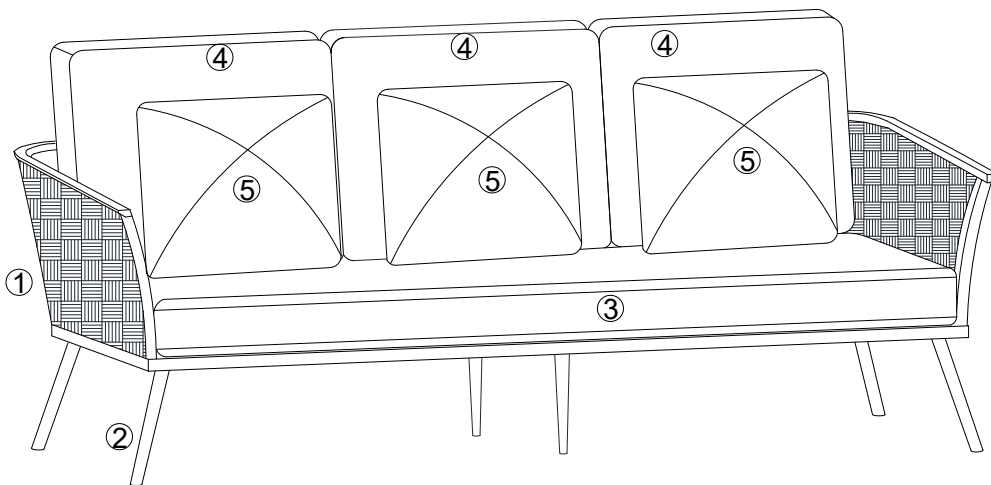
1. We suggest you spend a short time reading through this leaflet and then follow the simple step-by-step instructions.
2. Owing to the size and weight of the sofa, we recommend that it is assembled by two adults, on a carpeted or padded area, in the room that it is intended for. Approximate assembly time: 20 minutes.
3. Please do not use any tools other than those provided or recommended in these instructions.
4. Please do not throw away any of the packaging or the instruction until you have checked all the components and hardware and the furniture is fully assembled. Please ensure that the packaging is disposed of in a safe and environmentally friendly way.
5. Assemble all components loosely until advised to tighten. Depending on use, it may be necessary to tighten the components from time to time, so please save the tools that have been provided.
6. Please keep all fitting out of reach of children.



## Hardware:

- |    |  |                |     |
|----|--|----------------|-----|
| A. |  | Bolt 1/4"x25mm | x 8 |
| B. |  | Flat Washer    | x 8 |
| C. |  | Allen Wrench   | x1  |

## Component:



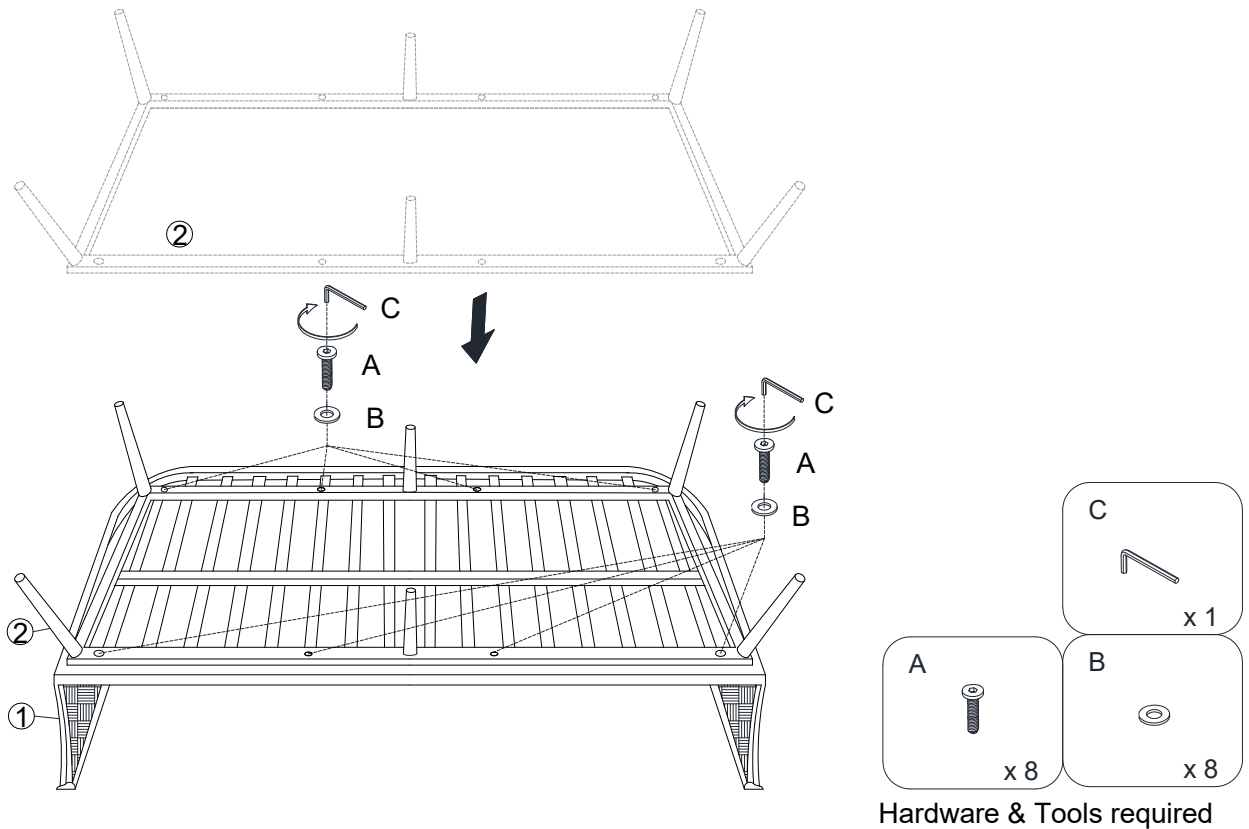
- |   |                  |   |                    |   |                  |
|---|------------------|---|--------------------|---|------------------|
| 1 | Sofa Body x1     | 2 | Base with legs x 1 | 3 | Seat Cushion x 1 |
| 4 | Back Cushion x 3 | 5 | Pillow x 3         |   |                  |

# EEI-3020 SOFA

## STEP 1:

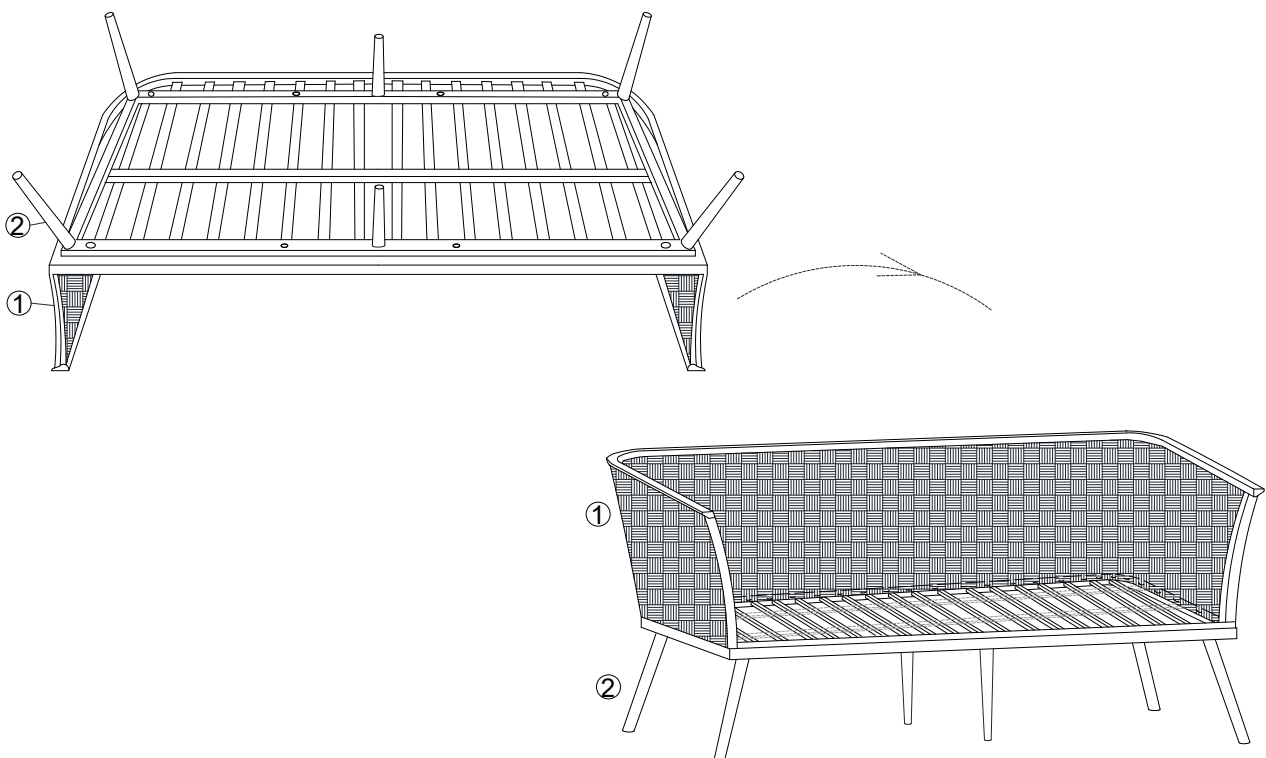
Please put **Sofa Body (1)** on a carpeted or padded surface.

Attach **Base with legs (2)** to the bottom of **Sofa Body (1)** by using 8 pieces of **Bolts (A)** with 8 pieces of **Flat Washers (B)** as shown. Tighten **Bolts (A)** by using **Allen Wrench (C)** as shown.



## STEP 2:

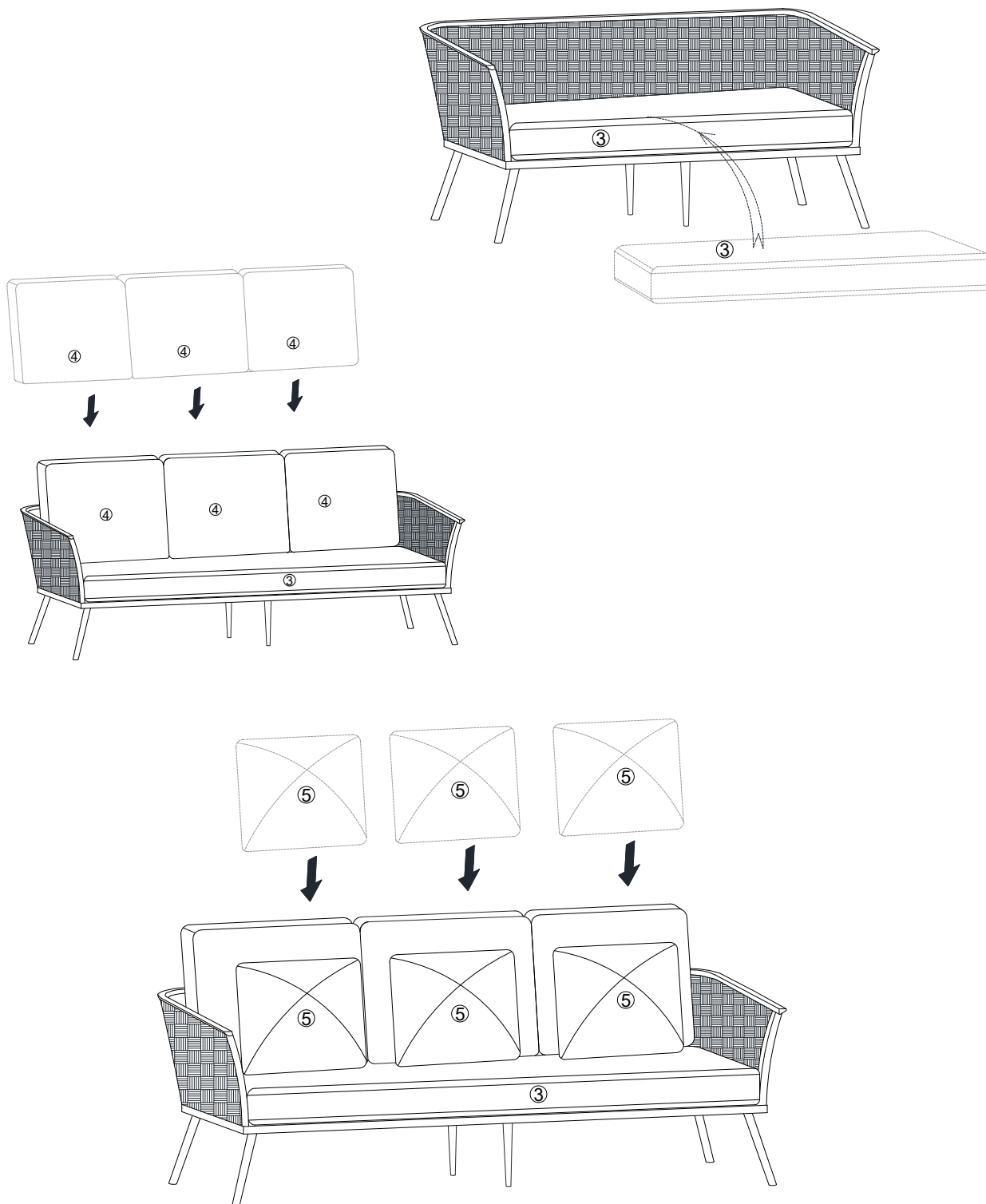
Carefully turn over the assembled **Sofa Body (1)** and **Base with legs (2)** from step 1 as shown.



# EEI-3020 SOFA

## STEP 3:

Put **Seat Cushion (3)** to the seat of **Sofa Body (1)**, put 3 pieces of **Back Cushions (4)** and 3 pieces of **Pillows (5)** to the top of **Seat Cushion (3)**.



Assembly is complete. Your Sofa is ready to be used now!

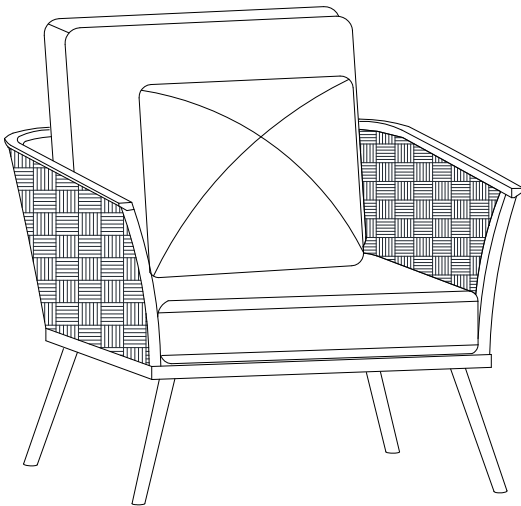
# EEI-3054 CHAIR



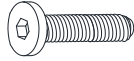
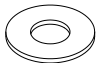

Thank you for purchasing the **MODWAY CHAIR**.

Before you start, here are some helpful advice:

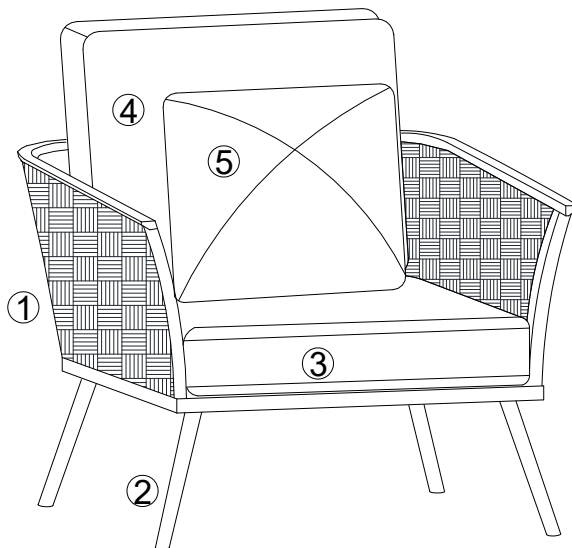
1. We suggest you spend a short time reading through this leaflet and then follow the simple step-by-step instructions.
2. Owing to the size and weight of the chair, we recommend that it is assembled by two adults, on a carpeted or padded area, in the room that it is intended for. Approximate assembly time: 20 minutes.
3. Please do not use any tools other than those provided or recommended in these instructions.
4. Please do not throw away any of the packaging or the instruction until you have checked all the components and hardware and the furniture is fully assembled. Please ensure that the packaging is disposed of in a safe and environmentally friendly way.
5. Assemble all components loosely until advised to tighten. Depending on use, it may be necessary to tighten the components from time to time, so please save the tools that have been provided.
6. Please keep all fitting out of reach of children.



### Hardware:

- |    |  |                |     |
|----|--|----------------|-----|
| A. |    | Bolt 1/4"x25mm | x 4 |
| B. |  | Flat Washer    | x 4 |
| C. |  | Allen Wrench   | x 1 |

### Component:



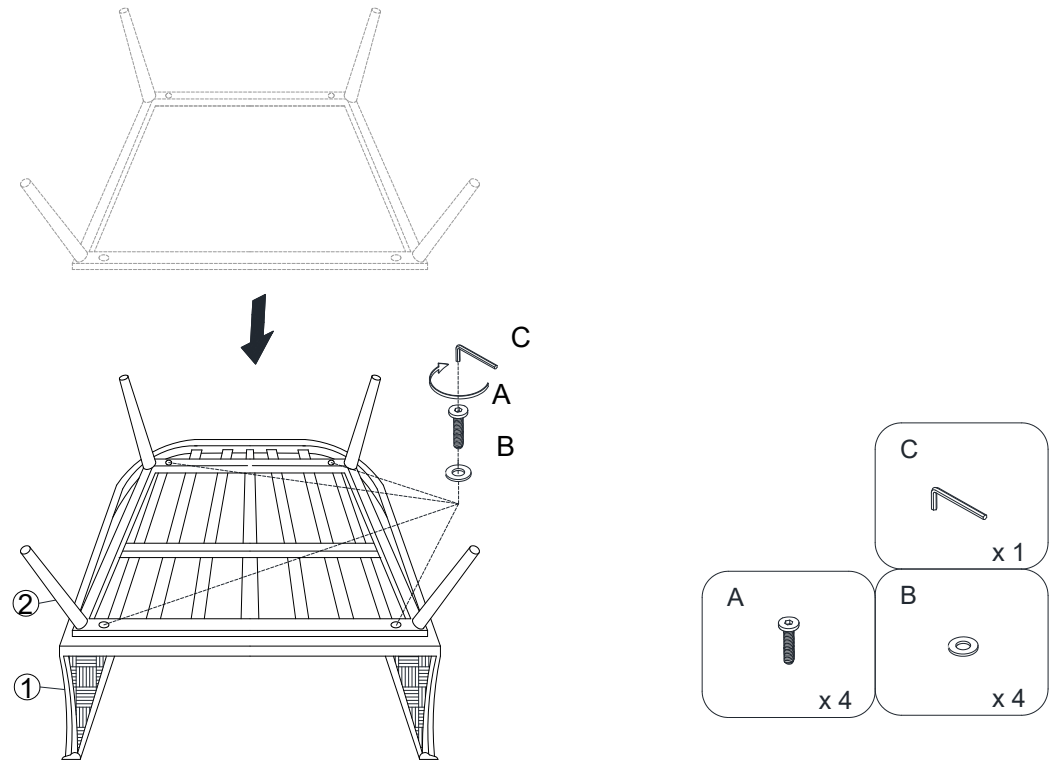
- |                    |                       |                    |
|--------------------|-----------------------|--------------------|
| 1 Chair Body x1    | 2 Frame with legs x 1 | 3 Seat Cushion x 1 |
| 4 Back Cushion x 1 | 5 Pillow x 1          |                    |

# EEI-3054 CHAIR

## STEP 1:

Please put **Chair Body (1)** on a carpeted or padded surface.

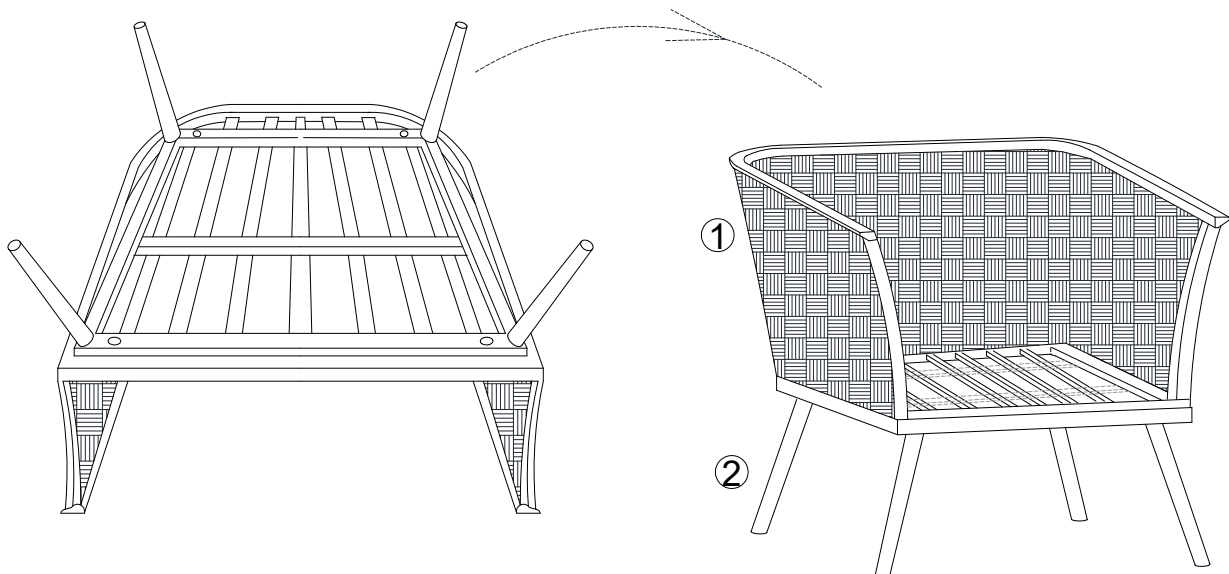
Attach **Frame with legs (2)** to the bottom of **Chair Body (1)** by using 4 pieces of **Bolts (A)** with 4 pieces of **Flat Washers (B)** as shown. Tighten **Bolts (A)** by using **Allen Wrench (C)** as shown.



Hardware & Tools required

## STEP 2:

Carefully turn over the assembled **Chair Body (1)** and **Frame with legs (2)** from step 1 as shown.

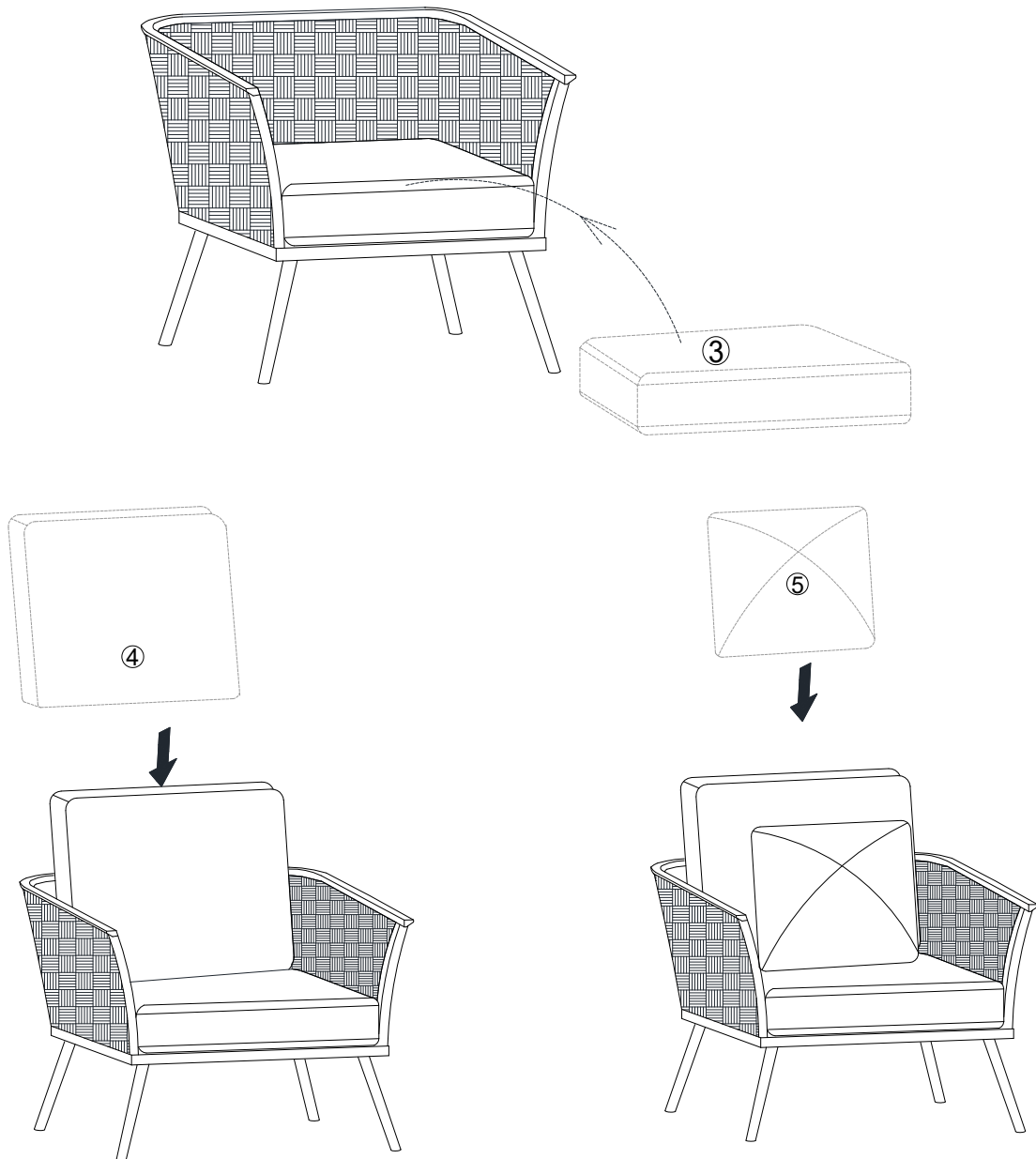


# EEI-3054 CHAIR

## STEP 3:

Attach **Seat Cushion (3)** to the seat of **Chair Body (1)**.

Attach 1 piece of **Back Cushion (4)** and 1 piece of **Pillow (5)** to the top of **Seat Cushion (3)**.



Assembly is complete. Your Chair is ready to be used now!