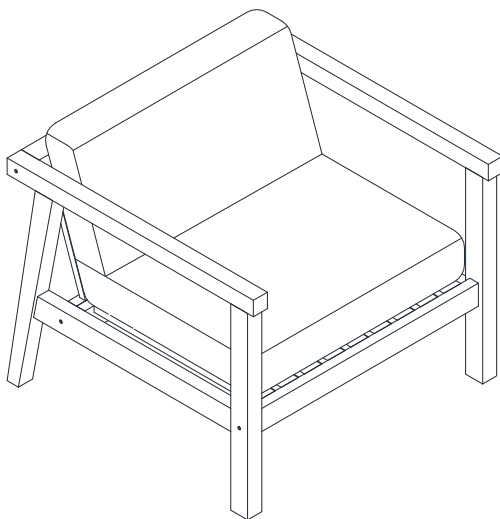



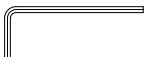
Thank you for purchasing the **MODWAY CHAIR!**

Before you start, here is some helpful advice:

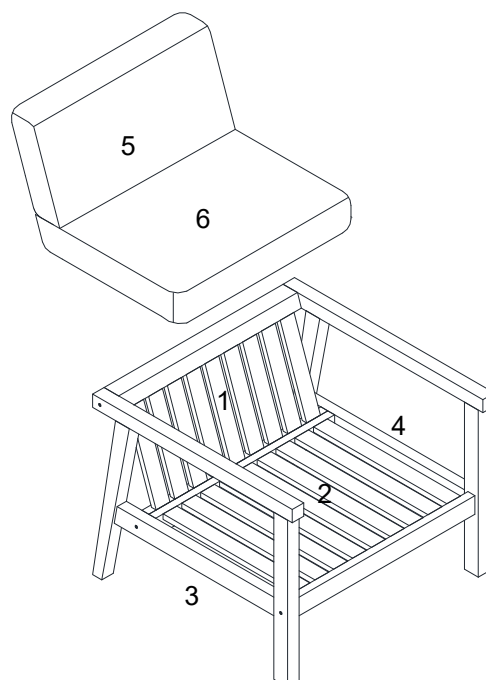
1. We suggest you spend a short time reading through this leaflet and then follow the simple step by step instructions.
2. Owing to the size and weight of the chair, we recommend that it is assembled by two adults, on a carpeted or padded area, in the room that it is intended for. Approximate assembly time: 30 minutes.
3. Please do not use any tools other than those provided or recommended in these instructions.
4. Please do not throw away any of the packaging or instructions until you have checked all the components and hardware and the furniture is fully assembled.
5. Assemble all components loosely until advised to tighten. Depending on use, it may be necessary to tighten the components from time to time, so please save the tools that have been provided.
6. Please keep all pieces out of reach of small children.



### Hardware:

- A  Bolt M6x70mm x 6
- B  Allen Wrench M4 x 1

### Component:



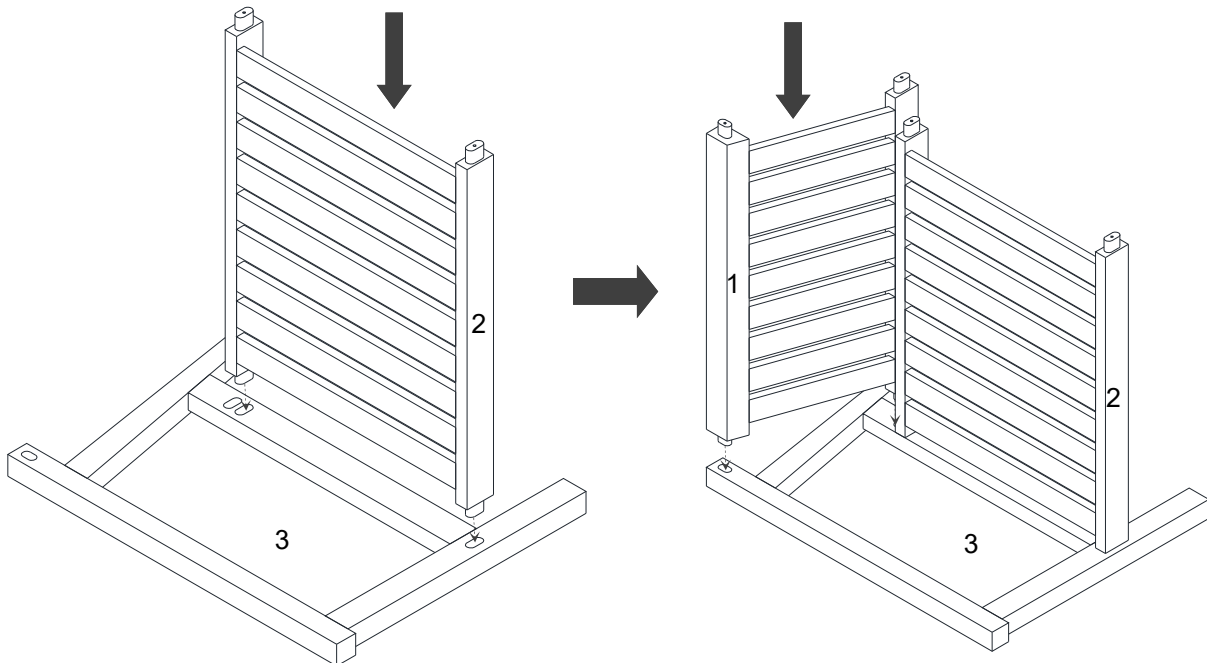
1	Chair Back	x1	2	Chair Seat	x1	3	Left Frame	x1
4	Right Frame	x1	5	Back Cushion	x1	6	Seat Cushion	x1

## STEP 1:

Please put **Left Frame (3)** on a carpeted or padded area.

Insert the tenon on **Chair Seat (2)** into the rabbet on **Left Frame (3)** at first.

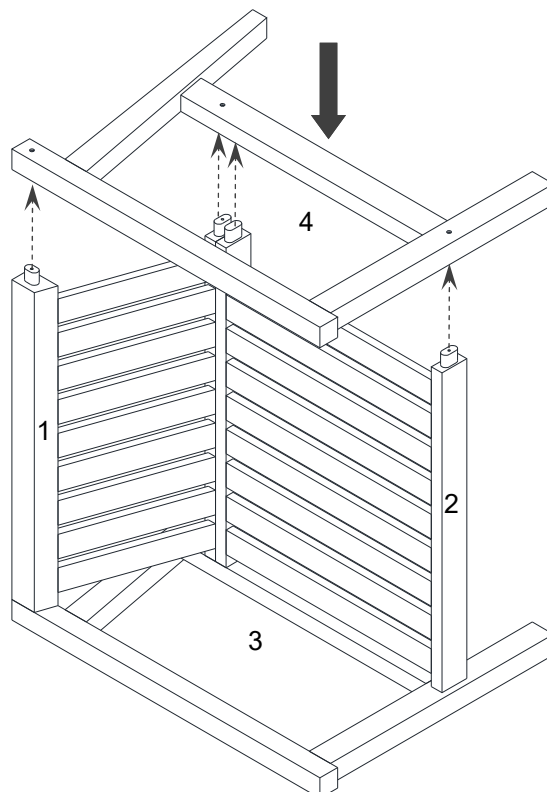
Then insert the tenon on **Chair Back (1)** into the rabbet on **Left Frame (3)** as shown.



## STEP 2:

Carefully position **Right Frame (4)** to the assembled **Chair Back (1)**, **Chair Seat (2)** and **Left Frame (3)** as shown.

Insert the tenon on **Chair Back (1)** and **Chair Seat (2)** into the rabbet on **Right Frame (4)**.



## STEP 3:

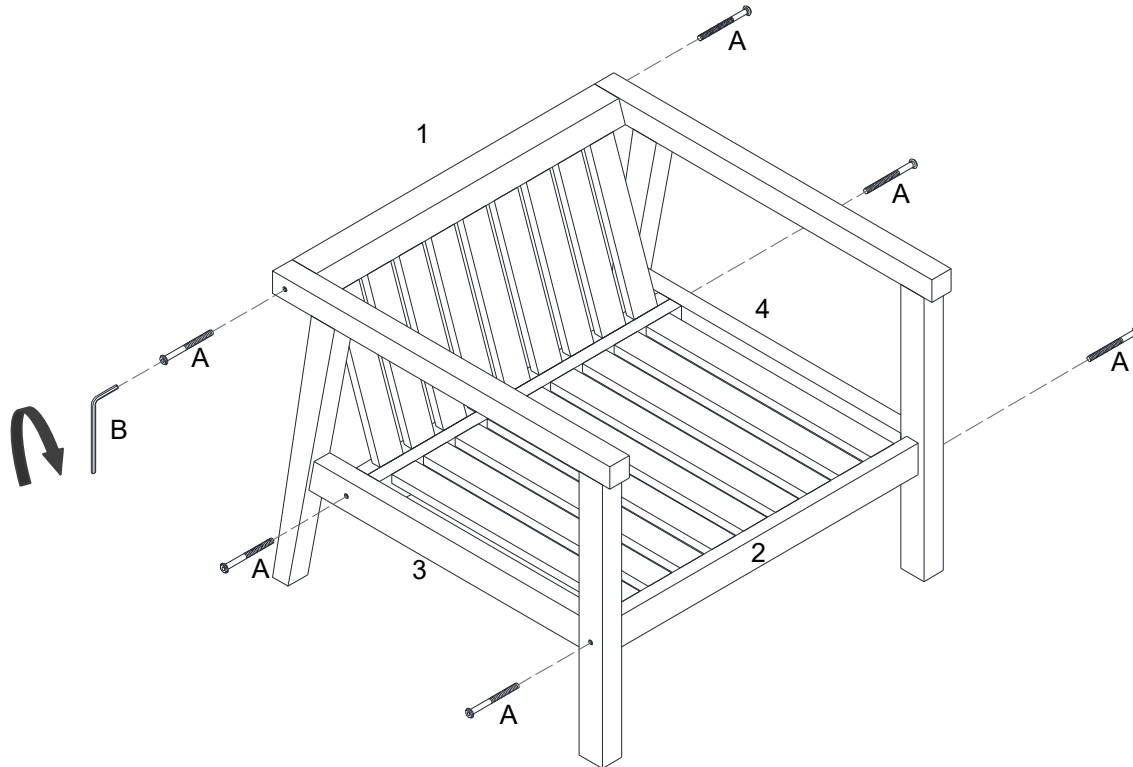
Carefully turn over the assembled **Chair Back (1)**, **Chair Seat (2)**, **Left Frame (3)** and **Right Frame (4)**.



Insert 2 pieces of **Bolt (A)** into the pre-drilled holes on **Chair Back (1)** through the top pre-drilled holes on **Left Frame (3)**.

Insert 1 piece of **Bolt (A)** into the pre-drilled holes on **Chair Seat (2)** through the top pre-drilled holes on **Left Frame (3)**.

Use **Allen Wrench (B)** to tighten **Bolts (A)** clockwise until secure.

Repeat the same steps for **Right Frame (4)**.



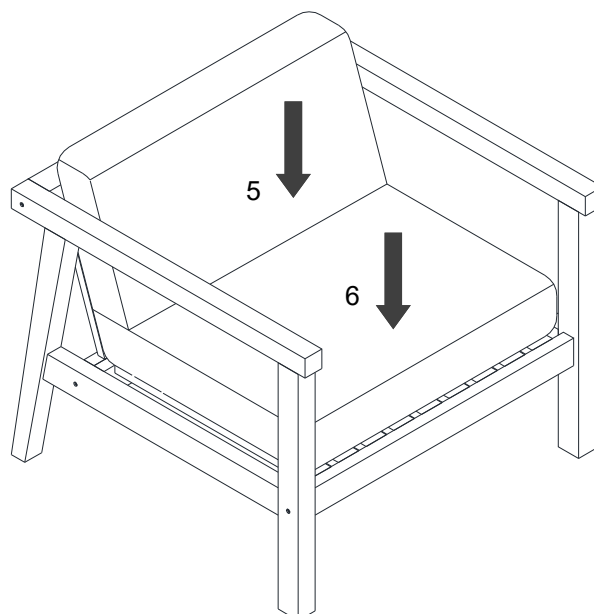
	
Ax6	Bx1

Hardware & Tool required

## STEP 4:

Carefully position the assembled chair to the desired location.

Put **Back Cushion (5)** and **Seat Cushion (6)** into the assembled chair as shown.

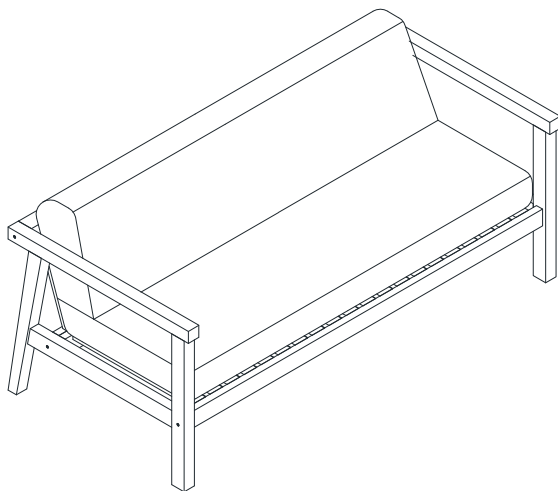


Assembly is complete. Your chair is ready to be used now!




Thank you for purchasing the **MODWAY LOVESEAT!**

Before you start, here is some helpful advice:

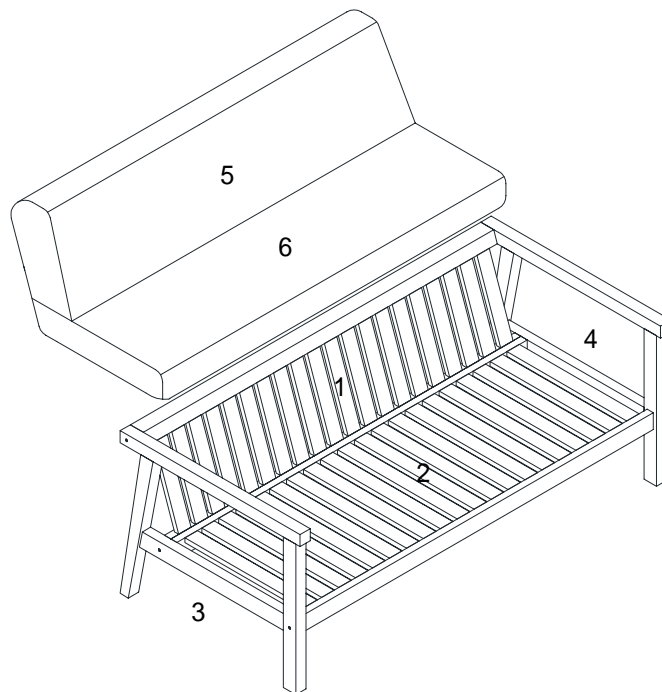
1. We suggest you spend a short time reading through this leaflet and then follow the simple step-by-step instructions.
2. Owing to the size and weight of the loveseat, we recommend that it is assembled by two adults, on a carpeted or padded area, in the room that it is intended for. Approximate assembly time: 30 minutes.
3. Please do not use any tools other than those provided or recommended in these instructions.
4. Please do not throw away any of the packaging or instructions until you have checked all the components and hardware and the furniture is fully assembled.
5. Assemble all components loosely until advised to tighten. Depending on use, it may be necessary to tighten the components from time to time, so please save the tools that have been provided.
6. Please keep all pieces out of reach of children.



**Hardware:**

- |    |  |                 |     |
|----|--|-----------------|-----|
| A  |    | Bolt M6x70mm    | x 6 |
| AB |  | Bolt M6x50mm    | x 2 |
| B  |  | Allen Wrench M4 | x 1 |

**Component:**



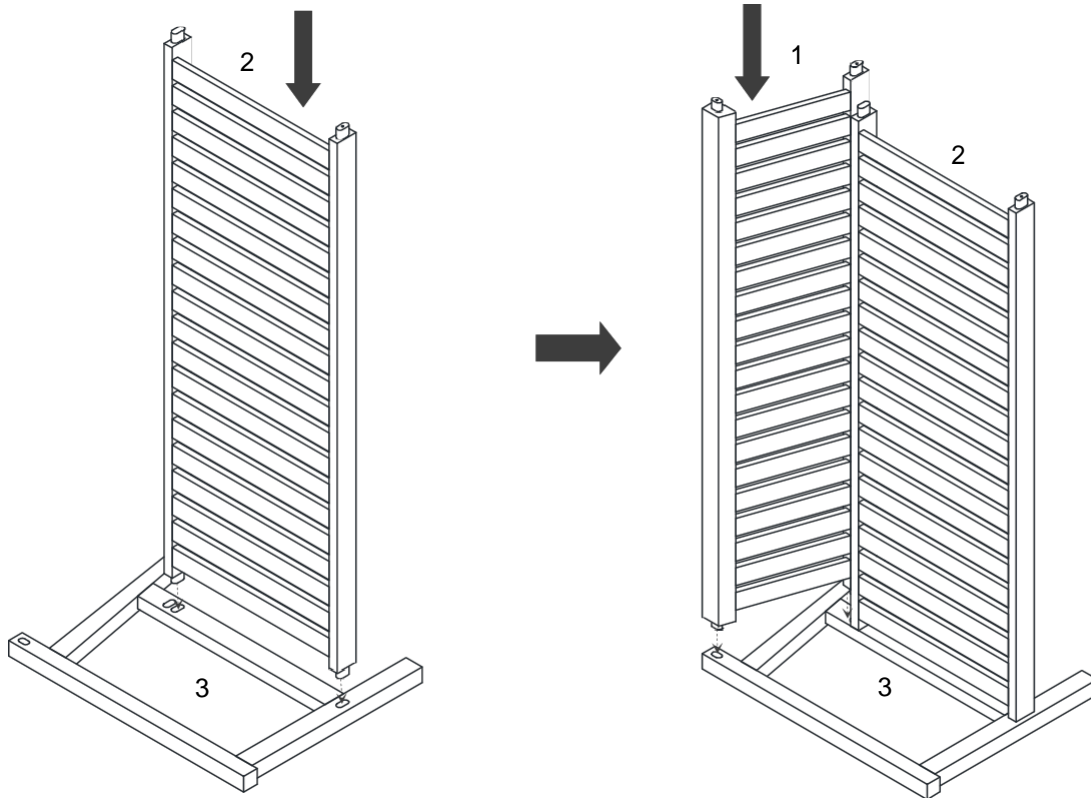
- |   |               |    |   |               |    |   |              |    |
|---|---------------|----|---|---------------|----|---|--------------|----|
| 1 | Loveseat Back | x1 | 2 | Loveseat Seat | x1 | 3 | Left Frame   | x1 |
| 4 | Right Frame   | x1 | 5 | Back Cushion  | x1 | 6 | Seat Cushion | x1 |

## STEP 1:

Please put **Left Frame (3)** on a carpeted or padded area.

Insert the tenon on **Loveseat Seat (2)** into the rabbet on **Left Frame (3)** at first.

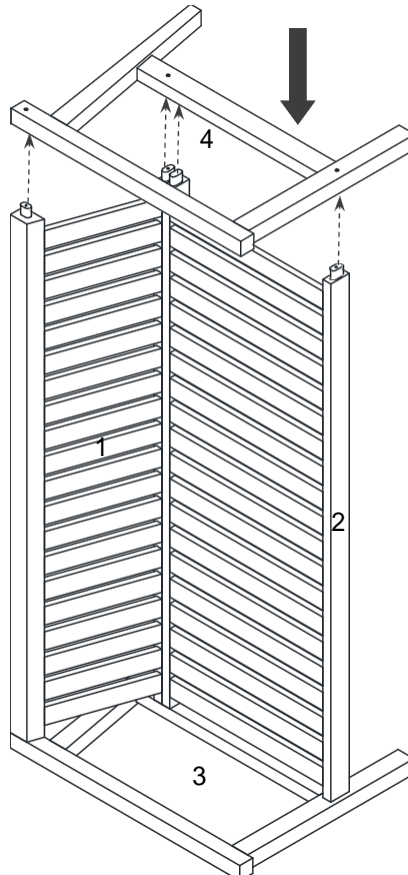
Then insert the tenon on **Loveseat Back (1)** into the rabbet on **Left Frame (3)** as shown.



## STEP 2:

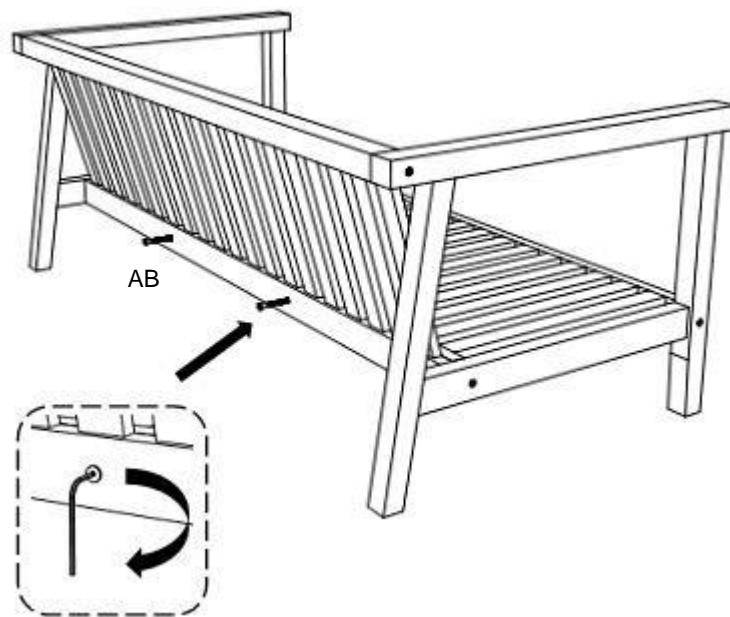
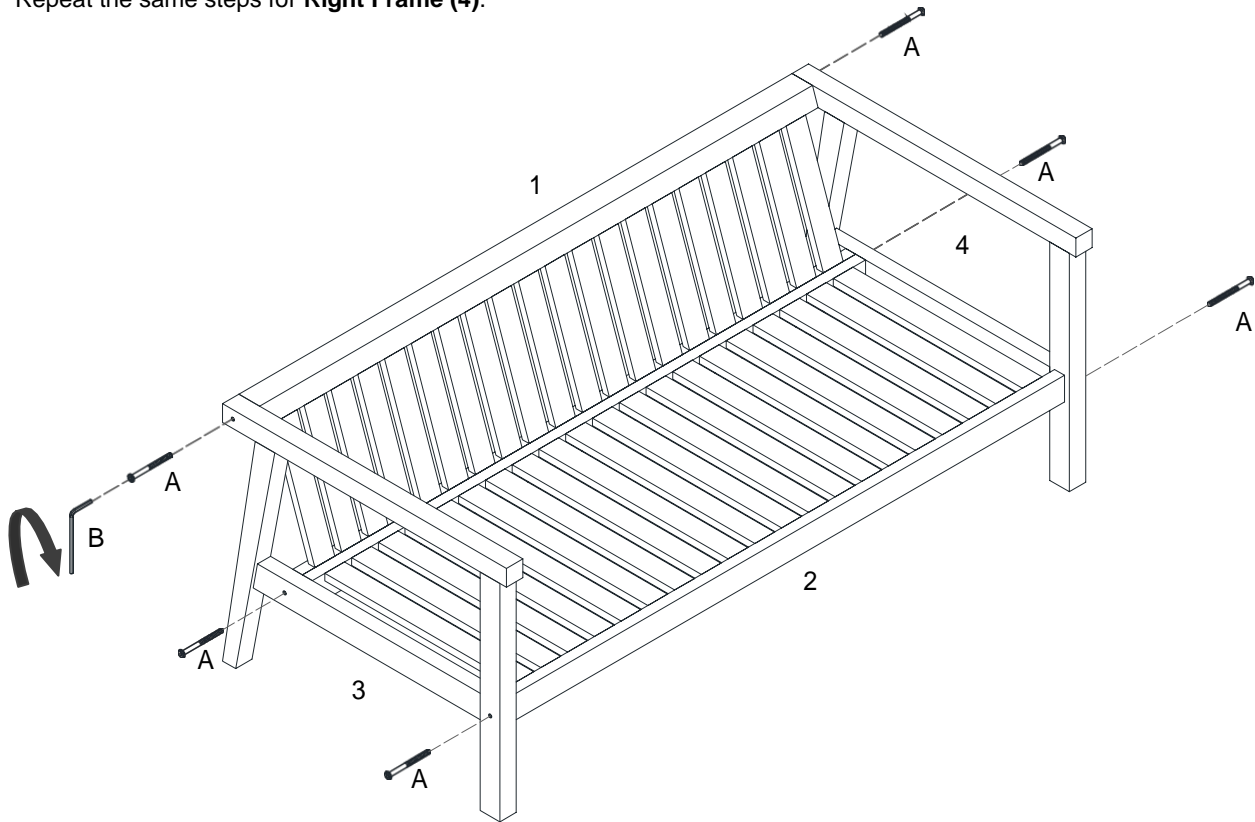
Carefully position **Right Frame (4)** to the assembled **Loveseat Back (1)**, **Loveseat Seat (2)**, and **Left Frame (3)** as shown.

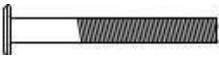
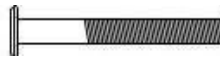

Insert the tenon on **Loveseat Back (1)** and **Loveseat Seat (2)** into the rabbet on **Right Frame (4)**.



## STEP 3:

Carefully turn over the assembled **Loveseat Back (1)**, **Loveseat Seat (2)**, **Left Frame (3)**, and **Right Frame (4)**.  
 Insert 2 pieces of **Bolt (A)** into the pre-drilled holes on **Loveseat Back (1)** through the top pre-drilled holes on **Left Frame (3)**.  
 Insert 1 piece of **Bolt (A)** into the pre-drilled holes on **Loveseat Seat (2)** through the top pre-drilled holes on **Left Frame (3)**.  
 Use **Allen Wrench (B)** to tighten **Bolts (A)** clockwise until secure.  
 Repeat the same steps for **Right Frame (4)**.



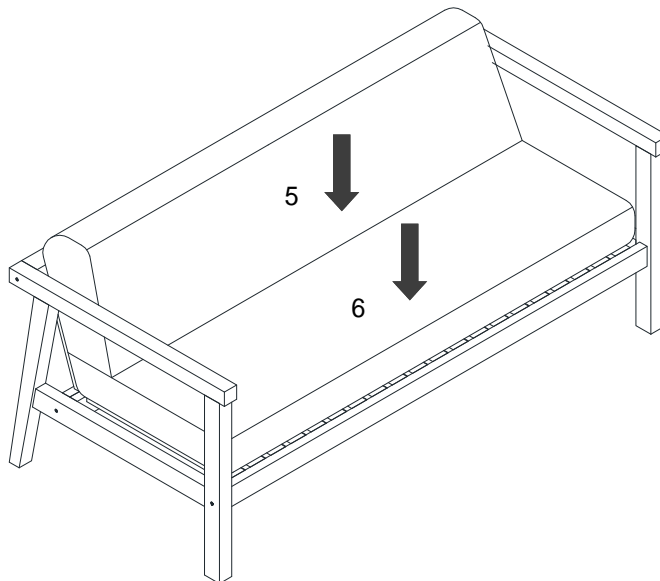
		
Ax6	ABx2	Bx1

Hardware & Tool required

## STEP 4:

Carefully position the assembled loveseat to the desired location.

Put **Back Cushion (5)** and **Seat Cushion (6)** into the assembled loveseat as shown.

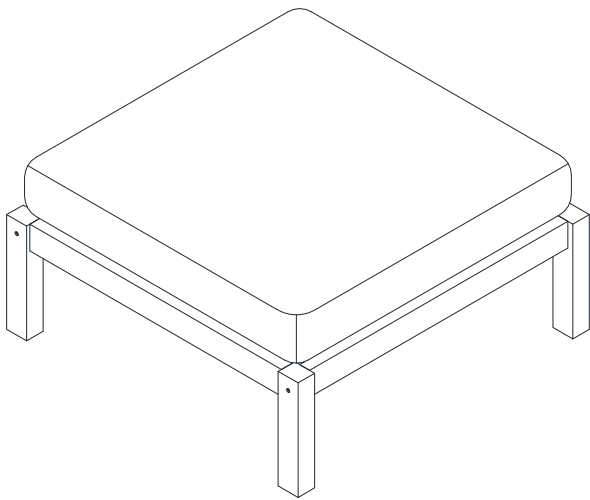


Assembly is complete. Your loveseat is ready to be used now!



Thank you for purchasing the **MODWAY OTTOMAN!**

Before you start, here is some helpful advice:

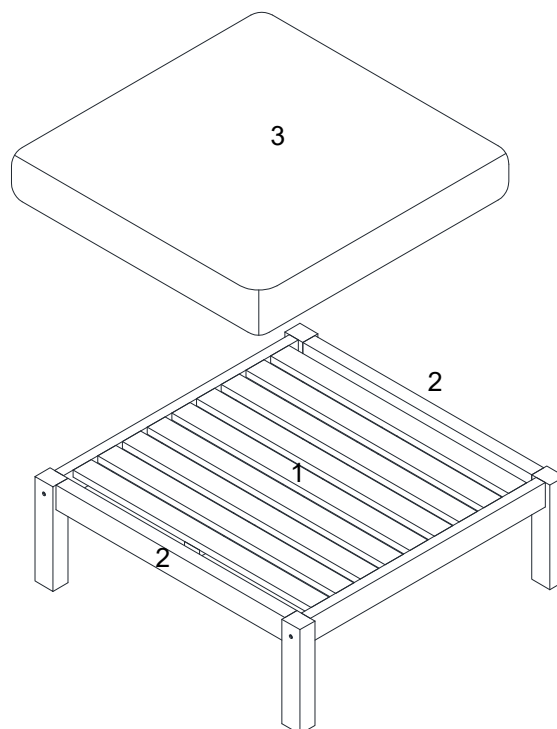
1. We suggest you spend a short time reading through this leaflet and then follow the simple step by step instructions.
2. Owing to the size and weight of the ottoman, we recommend that it is assembled by two adults, on a carpeted or padded area, in the room that it is intended for. Approximate assembly time: 30 minutes.
3. Please do not use any tools other than those provided or recommended in these instructions.
4. Please do not throw away any of the packaging or instructions until you have checked all the components and hardware and the furniture is fully assembled.
5. Assemble all components loosely until advised to tighten. Depending on use, it may be necessary to tighten the components from time to time, so please save the tools that have been provided.
6. Please keep all pieces out of reach of small children.



### Hardware:

- |   |  |                 |     |
|---|--|-----------------|-----|
| A |    | Bolt M6x70mm    | x 4 |
| B |  | Allen Wrench M4 | x 1 |

### Component:



1 Ottoman Top x1

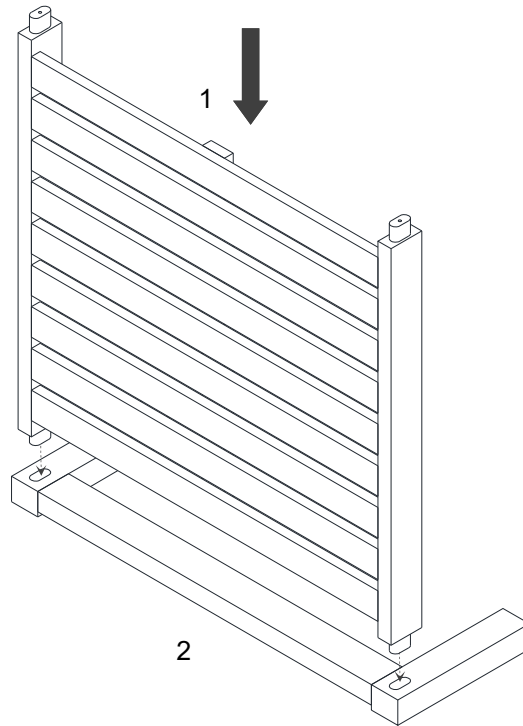
2 Side Frame x2

3 Cushion x1

## STEP 1:

Please put 1 piece of **Side Frame (2)** on a carpeted or padded area.

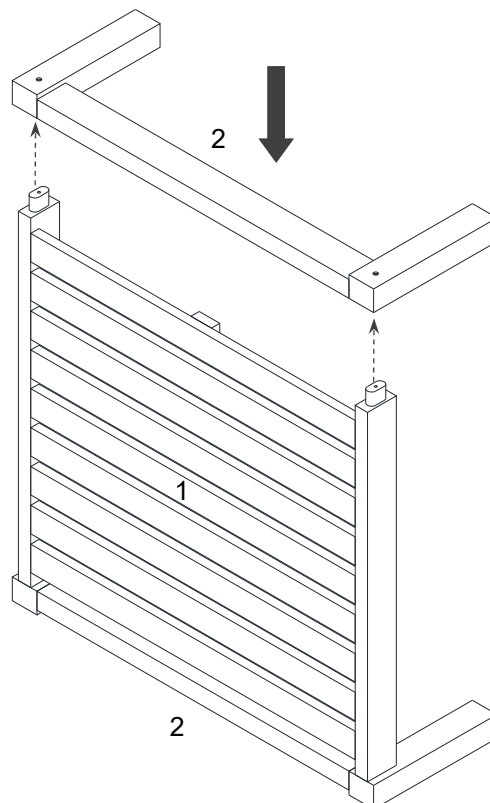
Insert the tenon on **Ottoman Top (1)** into the rabbet on the **Side Frame (2)** as shown.



## STEP 2:

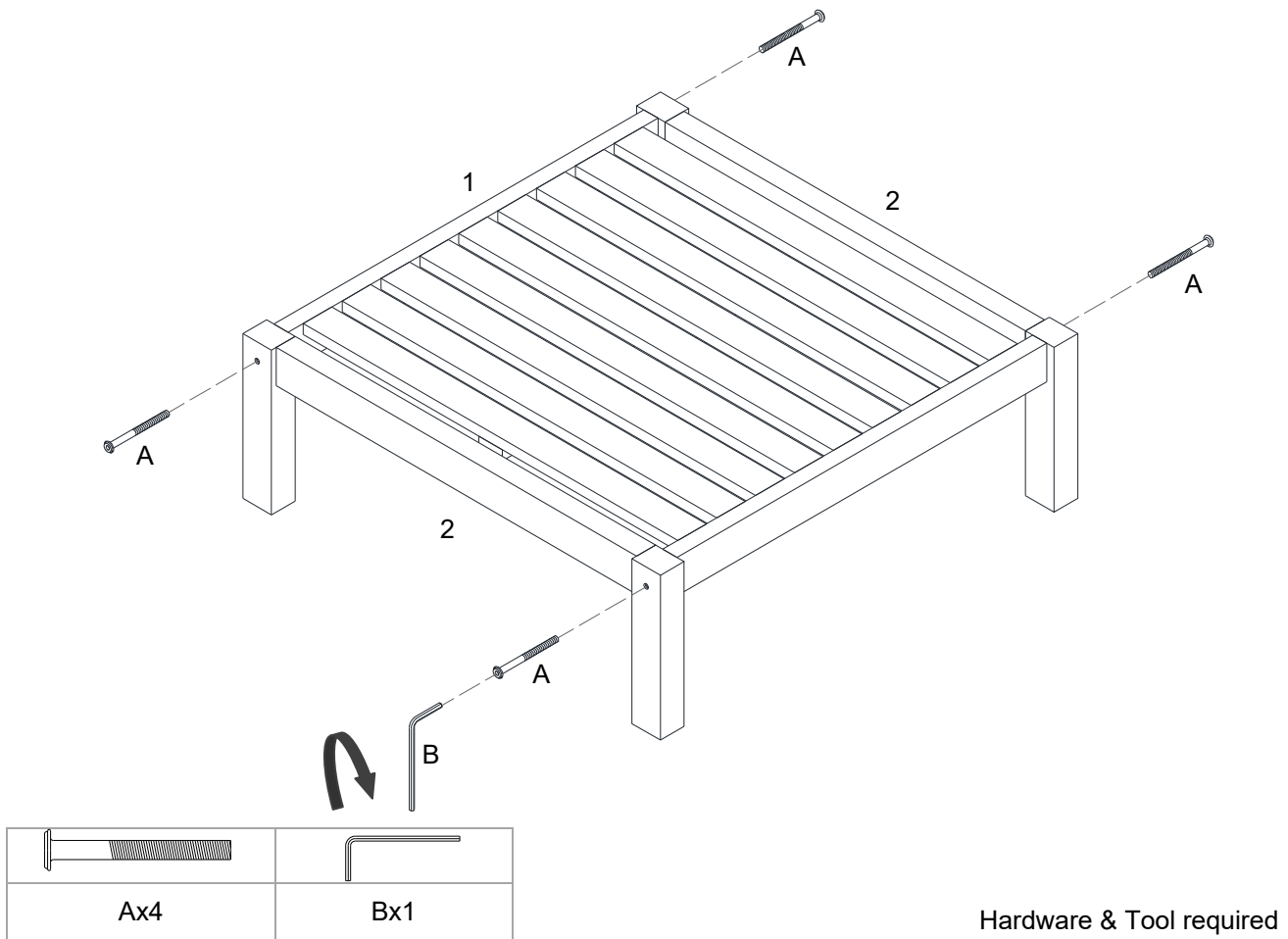
Carefully position the assembled **Ottoman Top (1)** and **Side Frame (2)** as shown.

Insert the tenon on **Ottoman Top (1)** into the rabbet on the other **Side Frame (2)**.



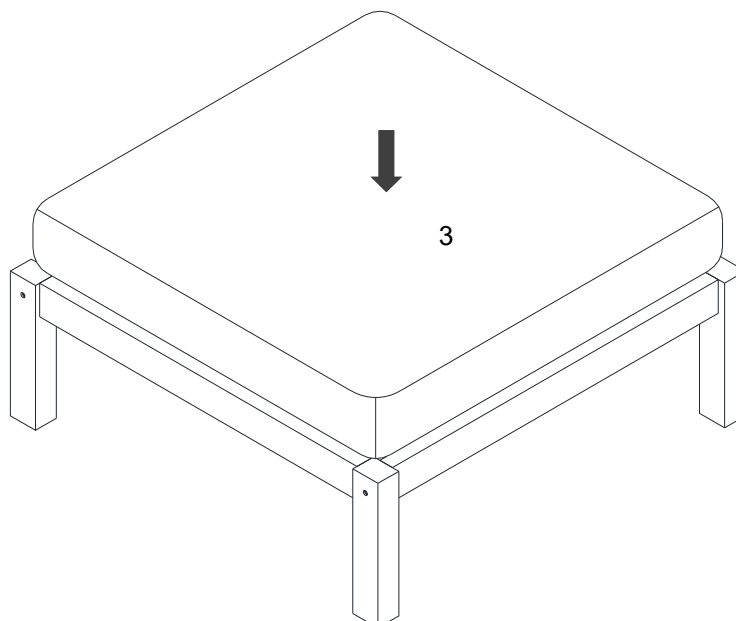
## STEP 3:

Insert 4 pieces of **Bolt (A)** into pre-drilled holes on **Ottoman Top (1)** through the pre-drilled holes on **Side Frames (2)**.  
Use **Allen Wrench (B)** to tighten all the **Bolts (A)** clockwise until secure.



## STEP 4:

Carefully position the assembled ottoman to the desired location.  
Put **Cushions (3)** into the assembled ottoman as shown.

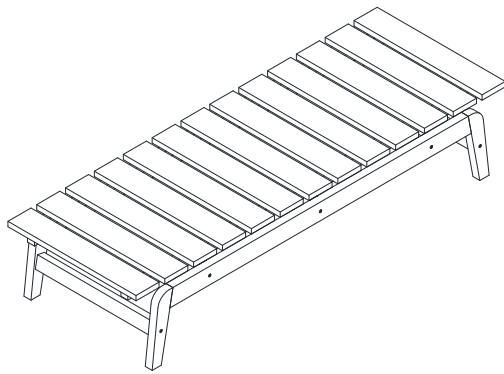


Assembly is complete. Your ottoman is ready to be used now!




Thank you for purchasing the **MODWAY COFFEE TABLE** !

Before you start, here is some helpful advice:

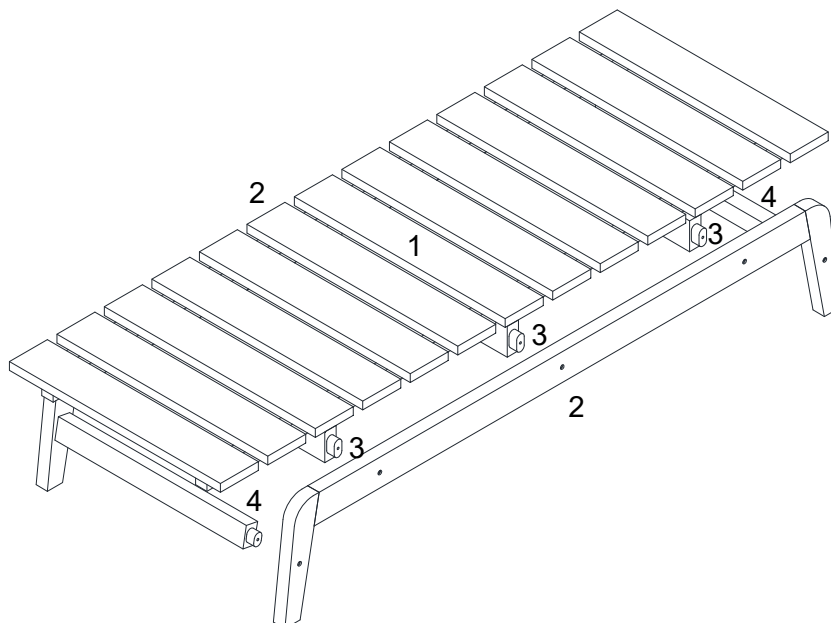
1. We suggest you spend a short time reading through this leaflet and then follow the simple step by step instructions.
2. Owing to the size and weight of the coffee table, we recommend that it is assembled by two adults, on a carpeted or padded area, in the room that it is intended for. Approx assembly time: 30 minutes.
3. Please do not use any tools other than those provided or recommended in these instructions.
4. Please do not throw away any of the packaging or the instruction until you have checked all the components and hardware and the furniture is fully assembled. Please ensure that the packaging is disposed of in a safe environmentally friendly way.
5. Assemble all components loosely until advised to tighten. Depending on use, it may be necessary to tighten the components from time to time, so please save the tools that has been provided.
6. Please keep all fitting out of reach of children.



**Hardware:**

- |   |  |                    |      |
|---|--|--------------------|------|
| A |    | Short Bolt M6x30mm | x 10 |
| B |  | Long Bolt M6x70mm  | x 6  |
| C |  | Allen Wrench M4    | x 1  |

**Component:**



- |   |           |    |   |            |    |   |              |    |   |           |    |
|---|-----------|----|---|------------|----|---|--------------|----|---|-----------|----|
| 1 | Table Top | x1 | 2 | Side Frame | x2 | 3 | Support Rail | x3 | 4 | Stretcher | x2 |
|---|-----------|----|---|------------|----|---|--------------|----|---|-----------|----|

## STEP 1:

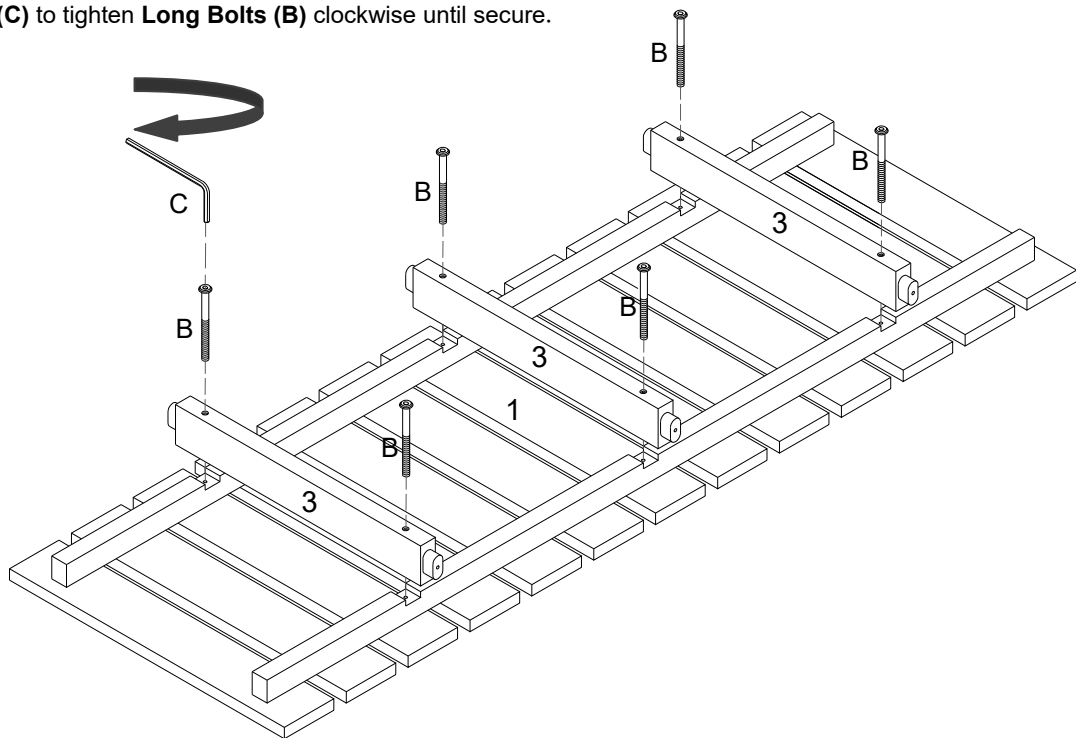
Please put the **Table Top (1)** upside down on a carpeted or padded area.



Position 1 piece of **Support Rail (3)** into the bottom of **Table Top (1)** as shown.

Insert 2 pieces of **Long Bolt (B)** into the pre-drilled holes on bottom of **Table Top (1)** through the pre-drilled holes on **Support Rail (3)**.

Repeat the same steps for the remaining **Support Rails (3)**.

Use **Allen Wrench (C)** to tighten **Long Bolts (B)** clockwise until secure.



	
Bx6	Cx1

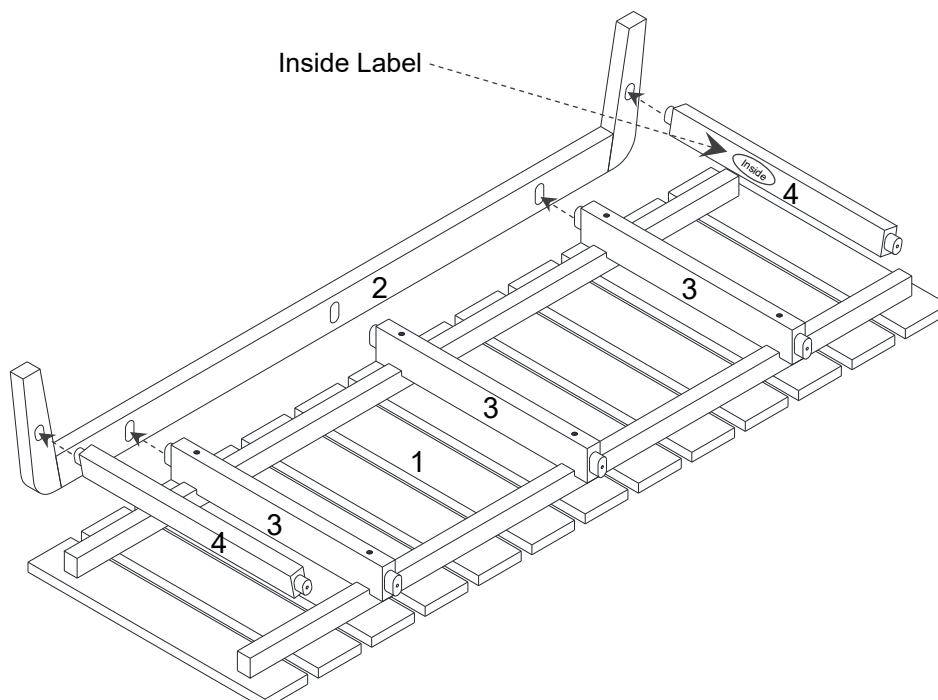
## STEP 2:

Position 1 piece of **Side Frame (2)** to the assembled **Table Top (1)** and **Support Rails (3)** as shown.

Insert the tenon on assembled **Support Rails (3)** into the rabbet on the **Side Frame (2)**.

Then position 2 pieces of **Stretcher (4)** to the assembled **Table Top (1)**, **Support Rails (3)** and **Side Frame (2)** as shown.

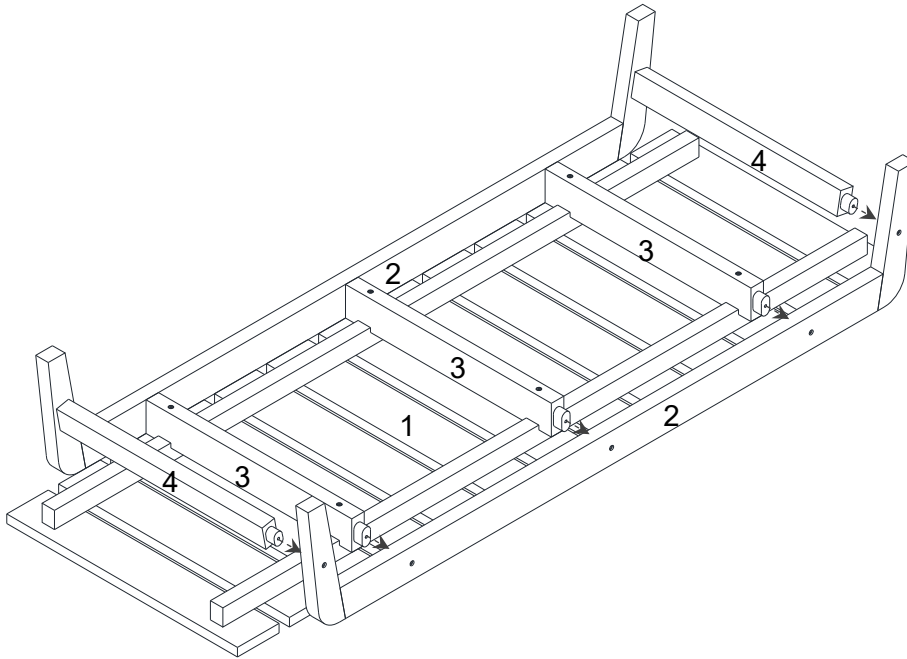
Insert the tenon on assembled **Stretchers (4)** into the rabbet on the **Side Frame (2)**.



**STEP 3:**

Carefully position the other piece of **Side Frame (2)** to the assembled **Table Top (1)**, **Side Frame (2)**, **Support Rails (3)**, and **Stretchers (4)** as shown.

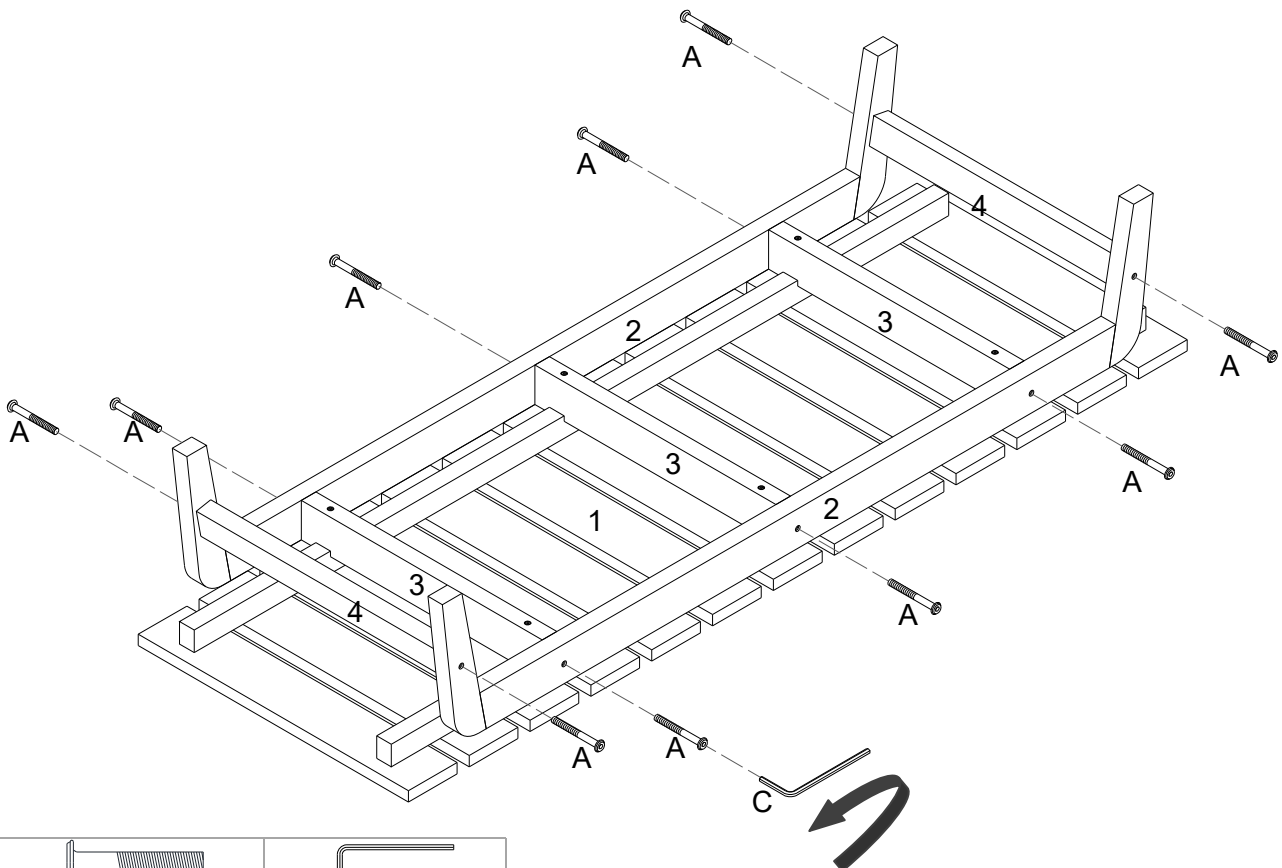
Insert the tenon on assembled **Support Rails (3)** and **Stretchers (4)** into the rabbet on the other **Side Frame (2)**.

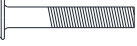



**STEP 4:**

Insert 10 pieces of **Short Bolt (A)** into the pre-drilled holes on **Support Rail (3)** and **Stretchers (4)** through the pre-drilled holes on **Side Frames (2)**.

Use **Allen Wrench (C)** to tighten all **Short Bolts (A)** clockwise until secure.

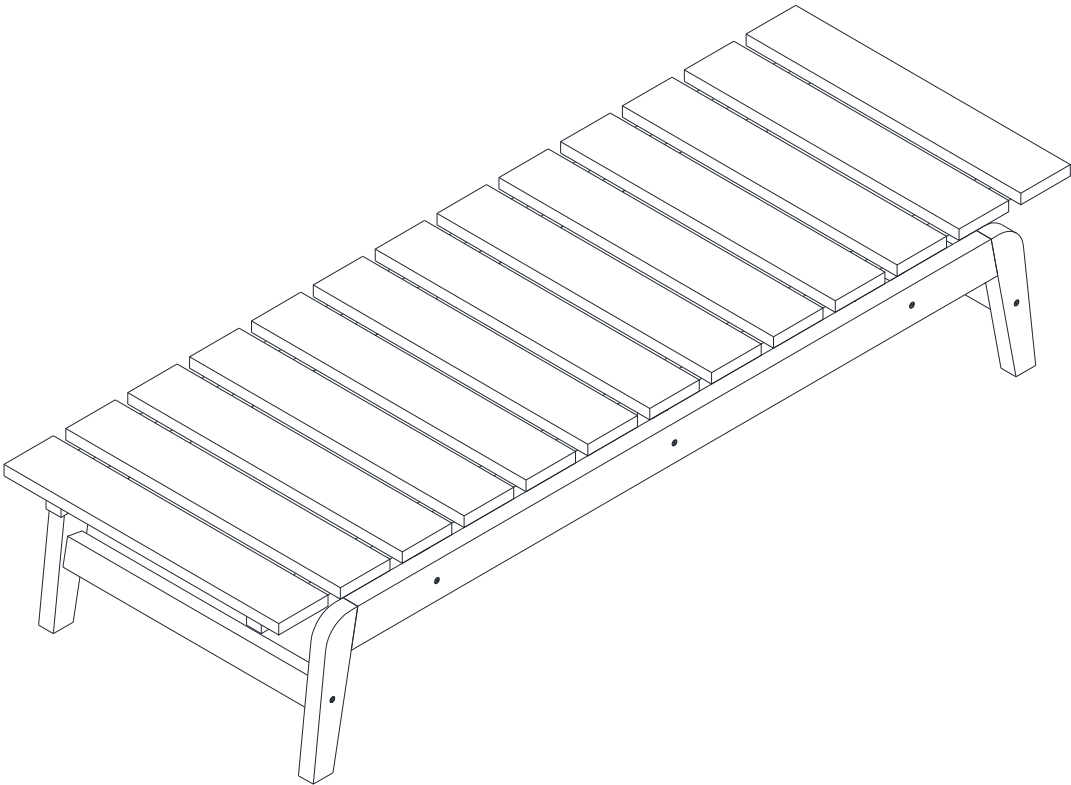


	
Ax10	Cx1

Hardware & Tool required

**STEP 5:**

Carefully turn over the assembled coffee table.



Assembly is complete. Your coffee table is ready to be used now!