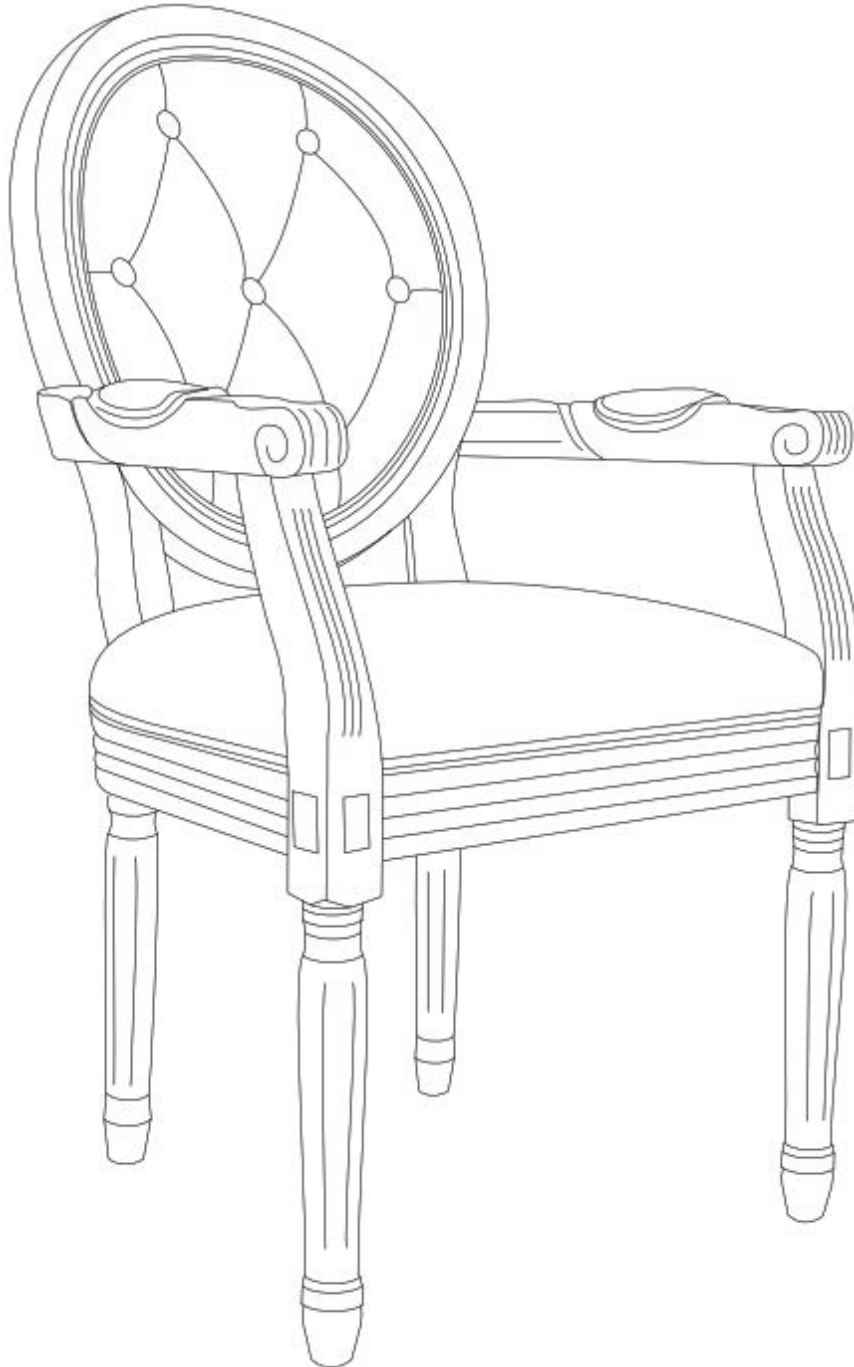


ASSEMBLY INSTRUCTIONS

EEI-6316

V1.10.03.23



Questions? Contact us!

609.256.9000 • cs@modway.com
www.modway.com

*modway



Read through all of the instructions before starting



Care instructions are listed in the last step of this manual

Only use hand tools to assemble this item. Do not use power tools. Do not tighten bolts or screws completely until all hardware is lined up and inserted into the holes.



Approx. 30 minutes assembly time



Make sure you have all parts and components before discarding any packing materials

Do not over-tighten screws and bolts to avoid stripping the hardware or cracking the item.

Assemble your item on a flat, carpeted area, with plenty of space to work. This will prevent damage and scratches to your floors or the item while you're assembling the product.



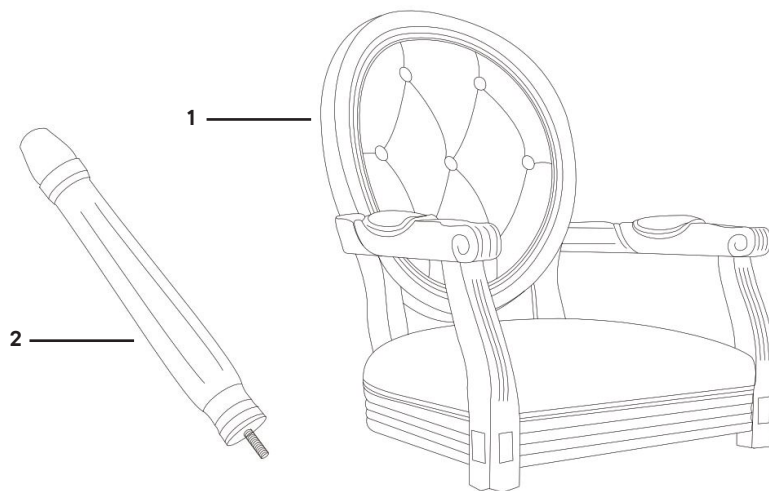
2 people recommended for assembly

Keep all components and packaging out of reach of children or animals to avoid risk of choking or suffocation.

Furniture components:

1	Top Frame	x1
---	-----------	----

2	Leg	x4
---	-----	----



Wait!

Missing parts or hardware? Need assistance?

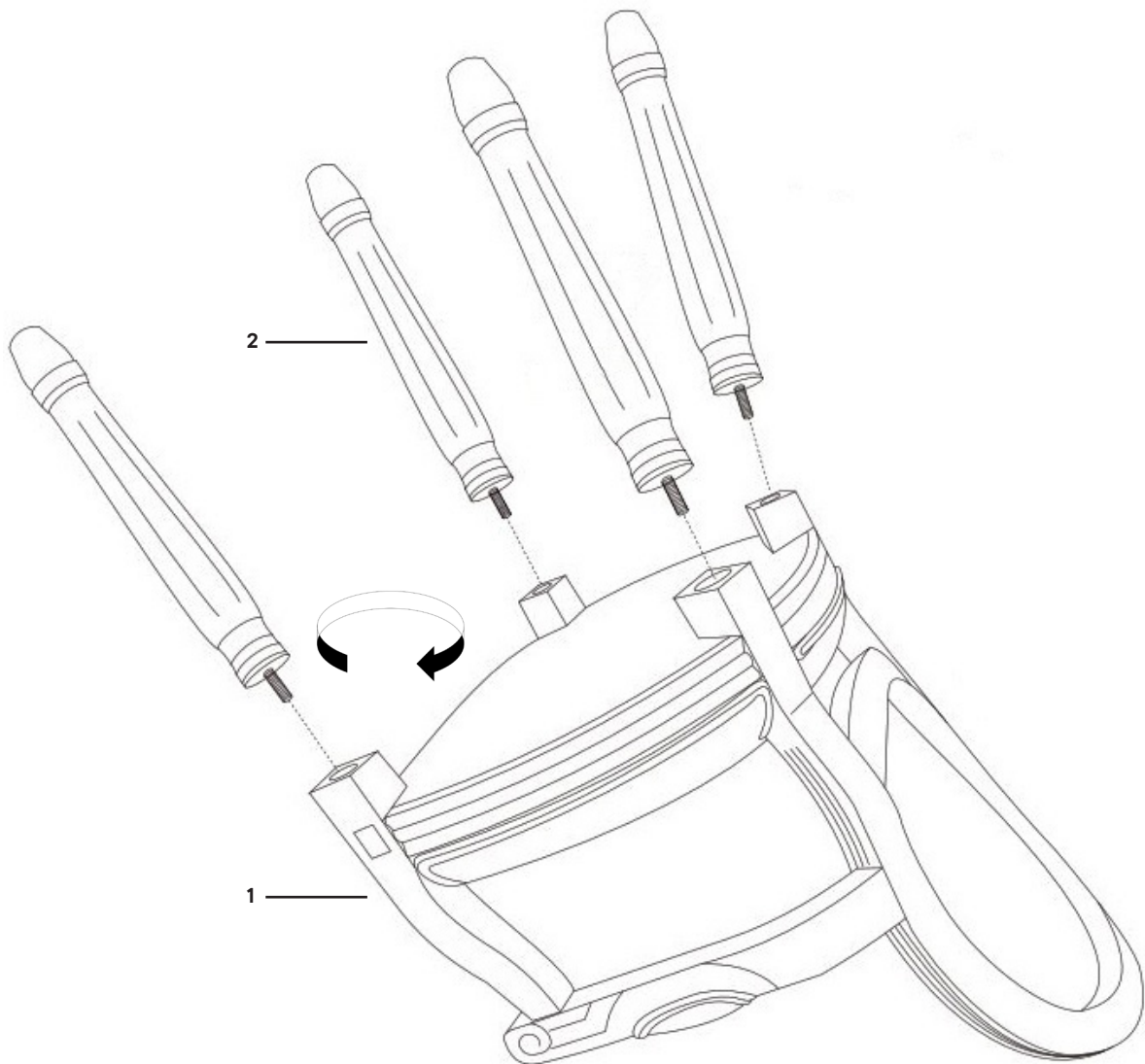
Contact us before returning your item. We're here to help!

609.256.9000 • cs@modway.com

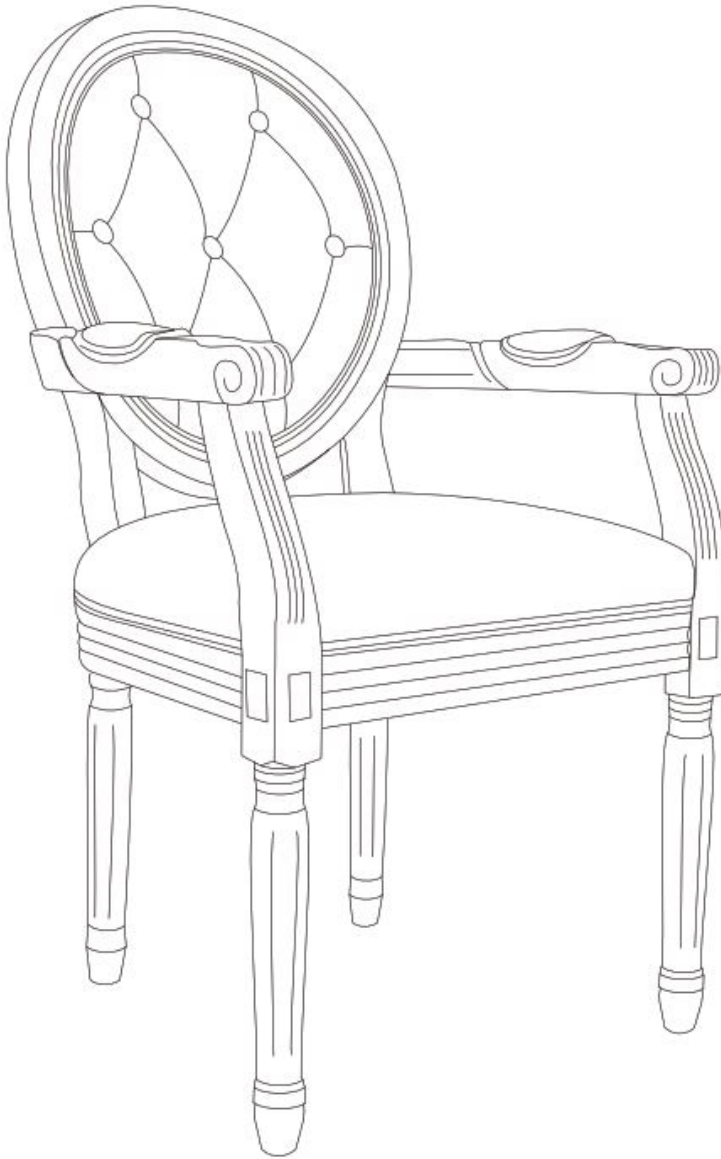
Step 1

COMPONENTS

- | | | |
|---|-----------|----|
| ① | Top Frame | x1 |
| ② | Leg | x4 |

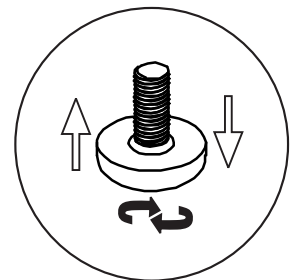
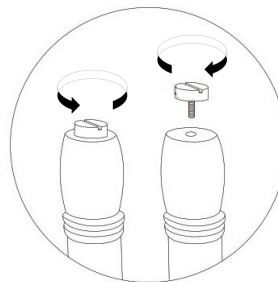


Step 2



Note : This chair may not sit level due to uneven floors. If this occurs, follow these steps:

- If left side does not touch the floor: Carefully grasp the left side of the chair. Elevate it slightly to provide access to the levelers at-tached to the base of the LEFT legs. Turn the levelers in a counter clockwise direction. Carefully return chair to its upright level position.
- If right side does not touch the floor: Carefully grasp the right side of the chair. Elevate it slightly to provide access to the levelers at-tached to the base of the RIGHT legs. Turn the levelers in a counter clockwise direction. Carefully return chair to its upright level position.
- If the chair is still not level, repeat the above steps.



Great job!

Your chair assembly is complete

♥ CARING FOR YOUR ITEM

Indoor use only

Not contract grade.

Clean using a non-abrasive cloth and a mild cleaner.

Never use harsh chemicals, as they could damage the finish or integrity of the item.

CONNECT WITH US!   

Tag us [@modway_furniture](#) and [#modway](#) for a chance to be featured.

