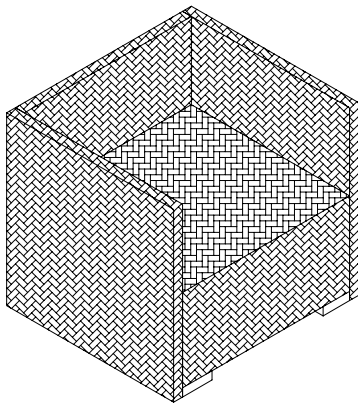
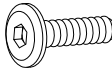






Before you start, here is some helpful advice:

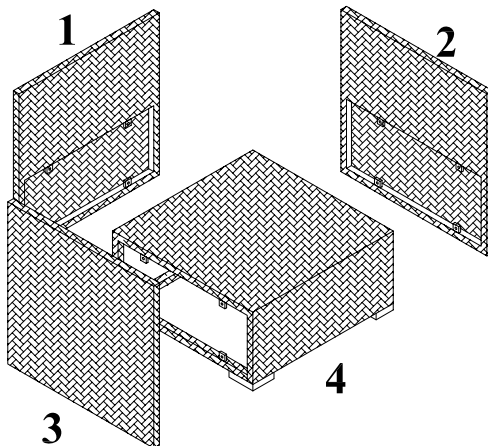
1. We suggest you spend a short time reading through this leaflet and then follow the simple step-by-step instructions.
2. Owing to the size and weight of the chair, we recommend that it is assembled by two adults, on a carpeted or padded area, in the room that it is intended for. Approximate assembly time: 30 minutes.
3. Please do not use any tools other than those provided or recommended in these instructions.
4. Please do not throw away any of the packaging or instructions until you have checked all the components and hardware and the furniture is fully assembled.
5. Assemble all components loosely until advised to tighten. Depending on use, it may be necessary to tighten the components from time to time, so please save the tools that have been provided.
6. Please keep all pieces out of reach of children.



**Hardware:**

A		Bolt M6x25mm x12pcs
B		Flat Washers M6 x24pcs
C		Nut M6 x12pcs
D		Open Wrench x1pc
E		Allen Wrench x 1pc

**Components:**

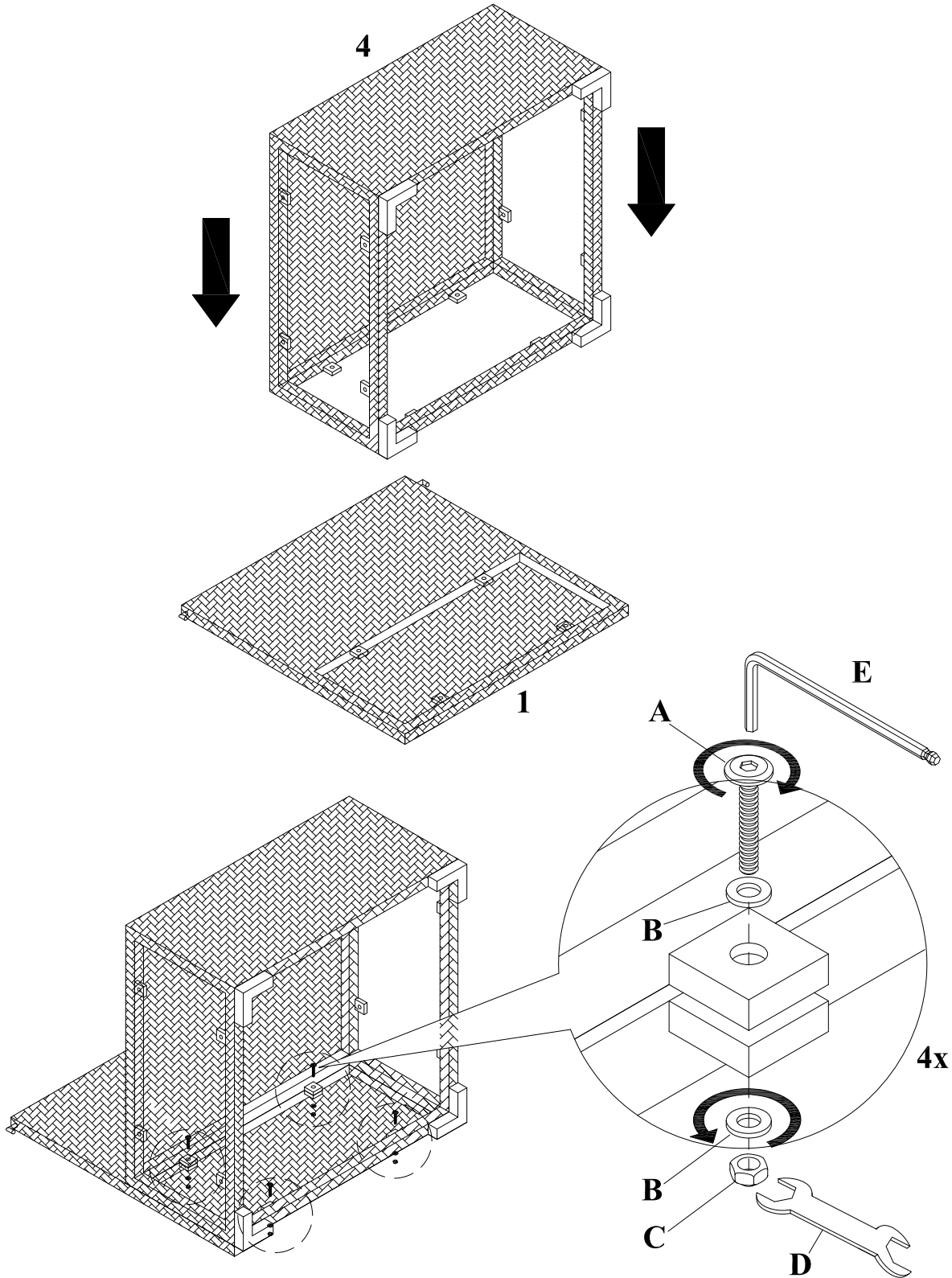





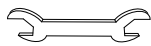

1	Chair Back	x1	2	Right Frame	x1	3	Left Frame	x1	4	Seat Frame	x1
---	------------	----	---	-------------	----	---	------------	----	---	------------	----

**STEP 1:**

Put Chair Back (1) upside down on a carpeted or padded area as shown.

Attach Seat Frame (4) to Chair Back (1) by using 4 pieces of Bolts (A) with 8 pieces of Flat Washers (B) and 4 pieces of Nuts (C) as shown. Use Open Wrench (D) to fix the Bolts (A) and use Allen Wrench (E) to tighten all Bolts (A) clockwise until secure. Don't fully tighten Bolts (A) at this step.



				
Ax4	Bx8	Cx4	Dx1	Ex1

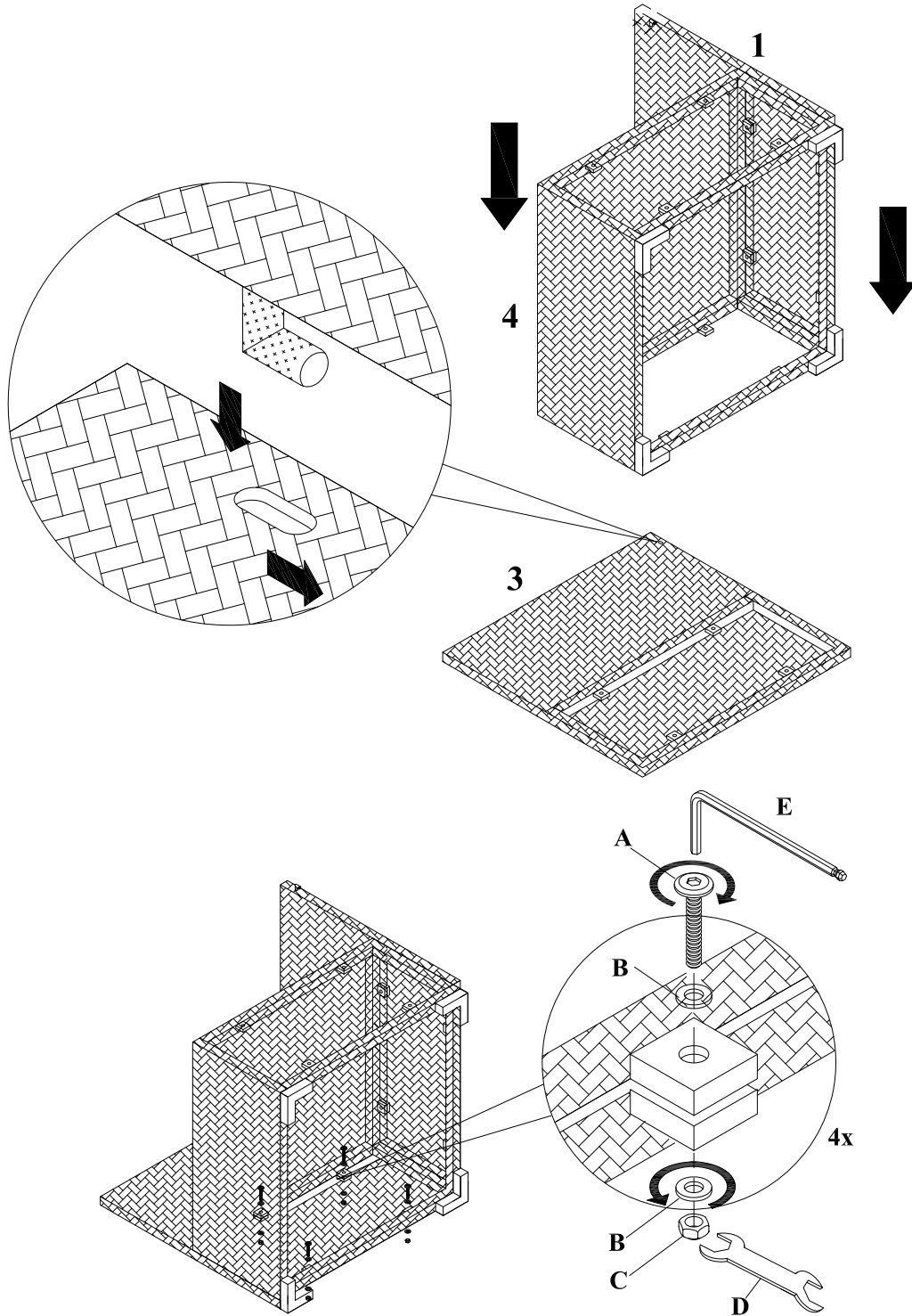
Hardware & Tool required




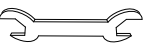

**STEP 2:**

Put Left Frame (3) upside down on a carpeted or padded area as shown and insert assembled Chair Back (1) into Left Frame (3) by a piece of Bayonet lock as shown.

Attach Seat Frame (4) to Left Frame (3) by using 4 pieces of Bolts (A) with 8 pieces of Flat Washers (B) and 4 pieces of Nuts (C) as shown.

Use Open Wrench (D) to fix the Bolts (A) and use Allen Wrench (E) to tighten all Bolts (A) clockwise until secure. Don't fully tighten Bolts (A) at this step.

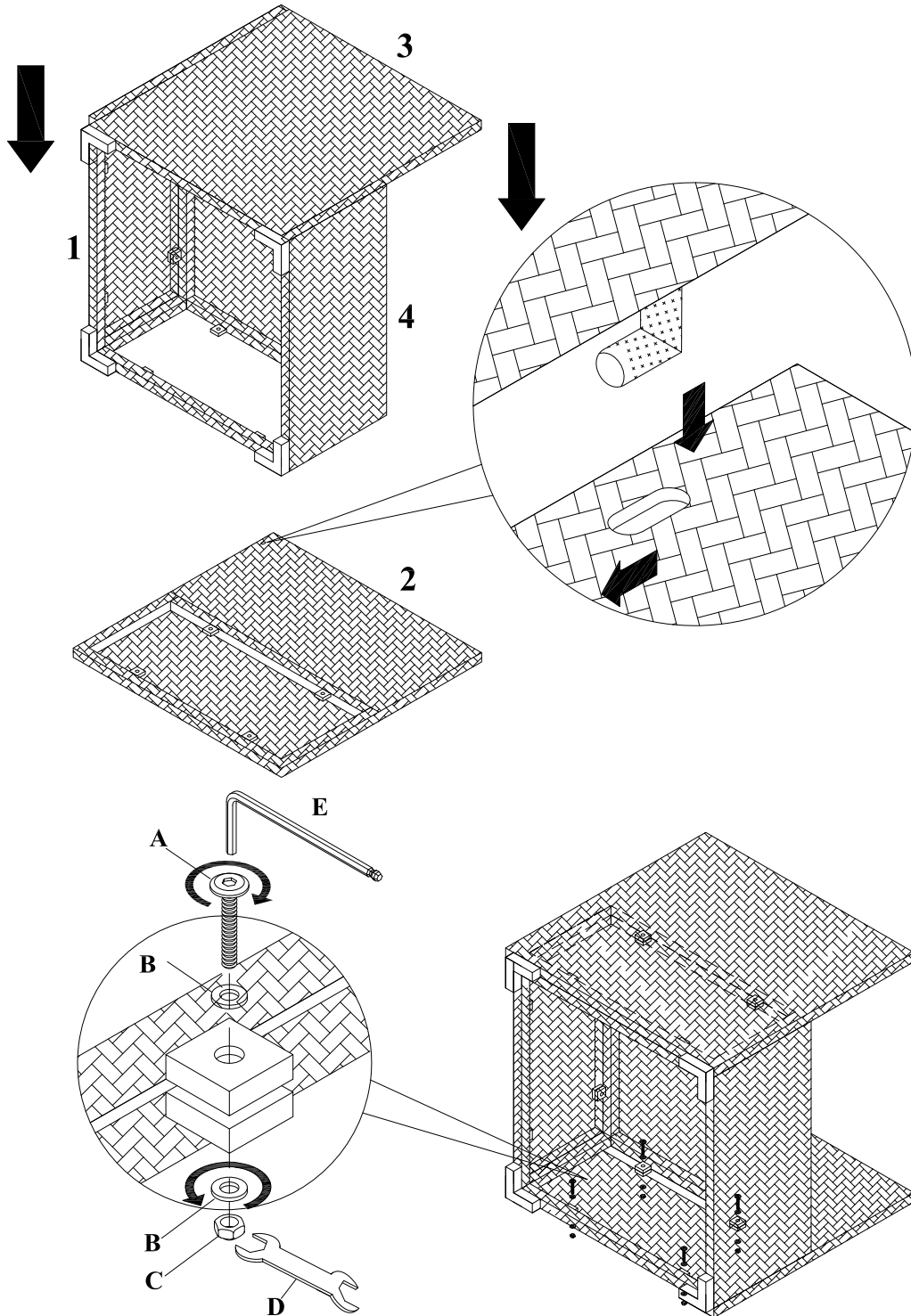





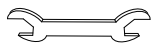

				
Ax4	Bx8	Cx4	Dx1	Ex1

Hardware & Tool required

**STEP 3:**

Put Right Frame (2) upside down on a carpeted or padded area as shown and insert the assembled Chair Back (1) and Left Frame (3) into Right Frame (2) by a piece of Bayonet lock as shown. Attach Seat Frame (4) to Right Frame (2) by using 4 pieces of Bolts (A) with 8 pieces of Flat Washers (B) and 4 pieces of Nuts (C) as shown. Use Open Wrench (D) to fix the Bolts (A) and use Allen Wrench (E) to tighten all Bolts (A) clockwise until secure. Don't fully tighten Bolts (A) at this step.

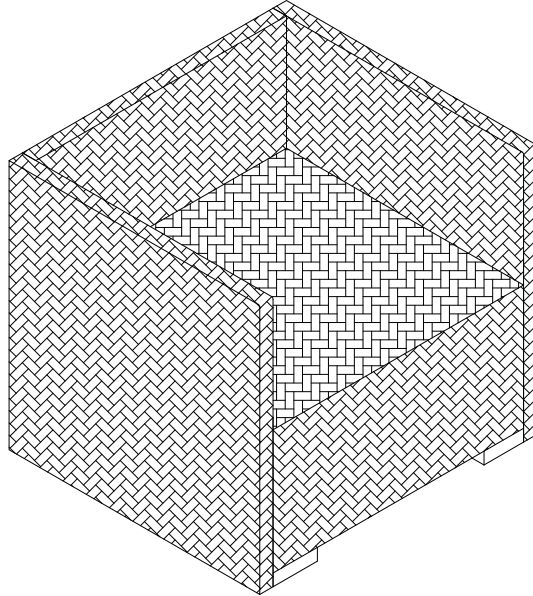


				
Ax4	Bx8	Cx4	Dx1	Ex1

Hardware & Tool required

**STEP 4:**

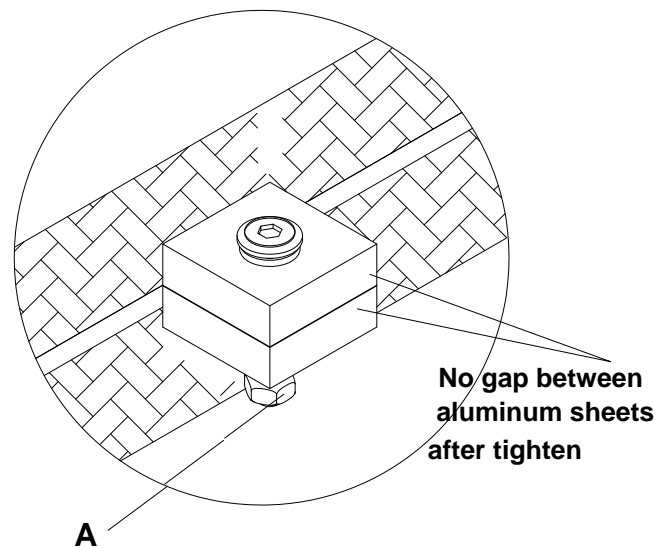
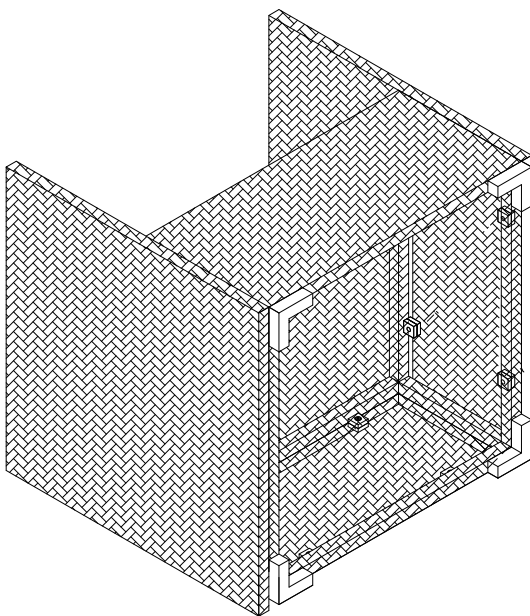
Carefully turn over the assembled Chair.  
 Adjust the height of Chair Back (1), Right Frame (2), and Left Frame (3) to keep in the same level.





**STEP 5:**

Put the Chair upside down on a carpeted or padded area as shown.  
 Fully tighten all Bolts by Open Wrench (D) and Allen Wrench (E) as shown.

**Warning: please note the two pre-welded aluminum sheets on each side must be secured tightly (no gap) on front by tighten BOLTS (A).**



				
Dx1	Ex1			

Hardware & Tool required

**STEP 6:**

Put Cushion ( EEI-2791/ EEI-2792 ) on the top of Seat Frame ( 4 ) as shown.

