

IMPROVEMENT OF ASSEMBLY INSTRUCTIONS

Coffee Table

EI-2699 / V2.04.09.25

modway








Questions? Contact us!

609.256.9000

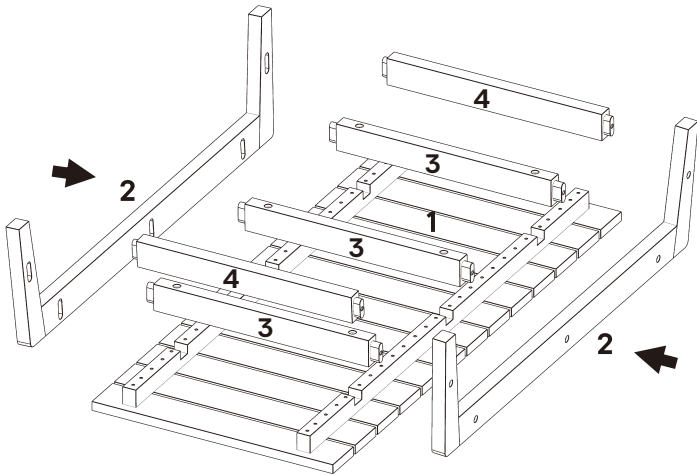
cs@modway.com

OLD

HARDWARE INCLUDED IN THE BOX:

A		JCBC Bolt M6x70mm	x6
B		JCBC Bolt M6x40mm	x10
C		Allen Key	x1
D		Flat Washer	x16
E		Spring Washer	x16



FURNITURE COMPONENTS:



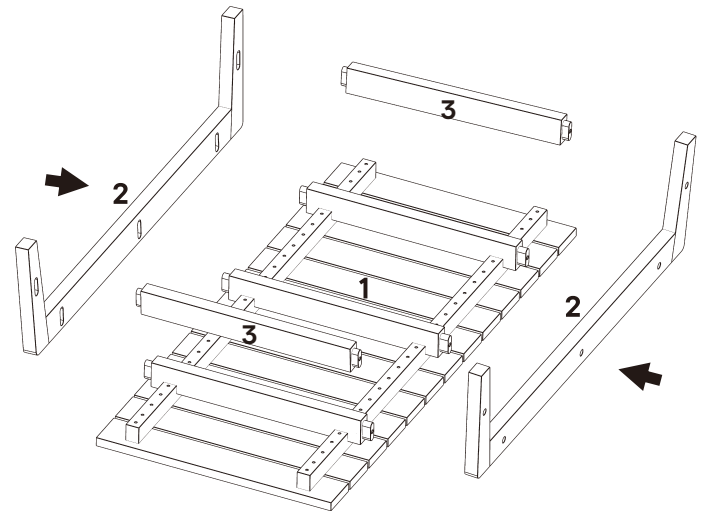
1	Table Top	x1
2	Side Frame	x2
3	Support Rail	x3
4	Stretcher	x2

NEW

HARDWARE INCLUDED IN THE BOX:

A		F Screw 1/4 x50mm	x10
B		Allen Key	x1

FURNITURE COMPONENTS:



1	Table Top	x1
2	Side Frame	x2
3	Stretcher	x2