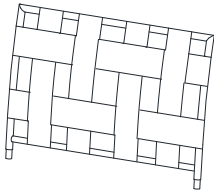


Thank you for purchasing the **MODWAY MULTIFUNCTION SOFA SERIES** !

Before you start, here is some helpful advice:

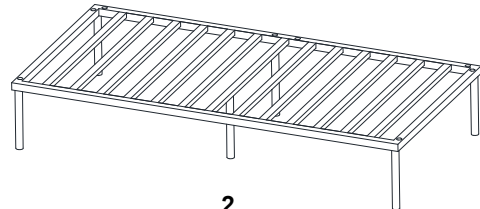
1. We suggest you spend a short time reading through this leaflet and then follow the simple step by step instructions.
2. Owing to the size and weight of the series, we recommend that it is assembled by two adults, on a carpeted or padded area, in the room that it is intended for.
3. Please do not use any tools other than those provided or recommended in these instructions.
4. Please do not throw away any of the packaging or the instruction until you have checked all the components and hardware and the furniture is fully assembled. Please ensure that the packaging is disposed of in a safe environmentally friendly way.
5. Assemble all components loosely until advised to tighten. Depending on use, it may be necessary to tighten the components from time to time, so please save the tools that has been provided.
6. Please keep all fitting out of reach of children.

Products of this series:



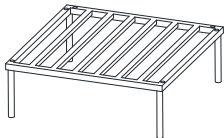
1

EEI-2237-1 Platform



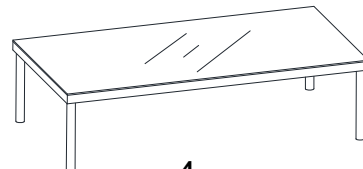
2

EEI-2237-2 Loveseat Base



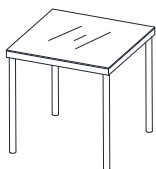
3

EEI-2237-3 Chair Base



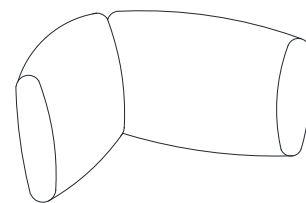
4

EEI-2237-4 Tea Table



5

EEI-2237-5 Side Table



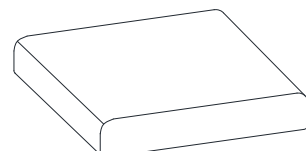
6

EEI-2237-5 Back Cushion for Corner



7

EEI-2237-7 Back Cushion



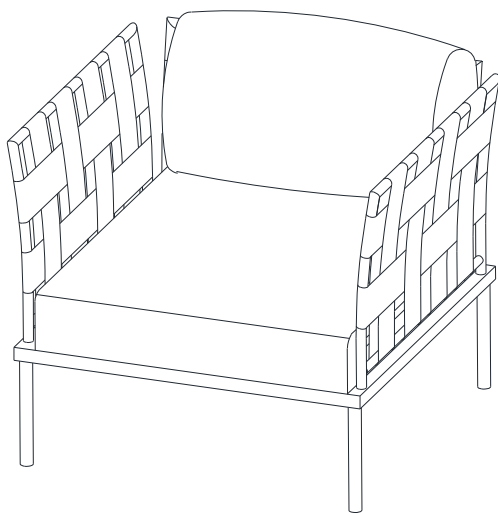
8

EEI-2237-8 Seat Cushion





Thank you for purchasing the **MODWAY MULTIFUNCTION SOFA SERIES** !

Before you start, here is some helpful advice:

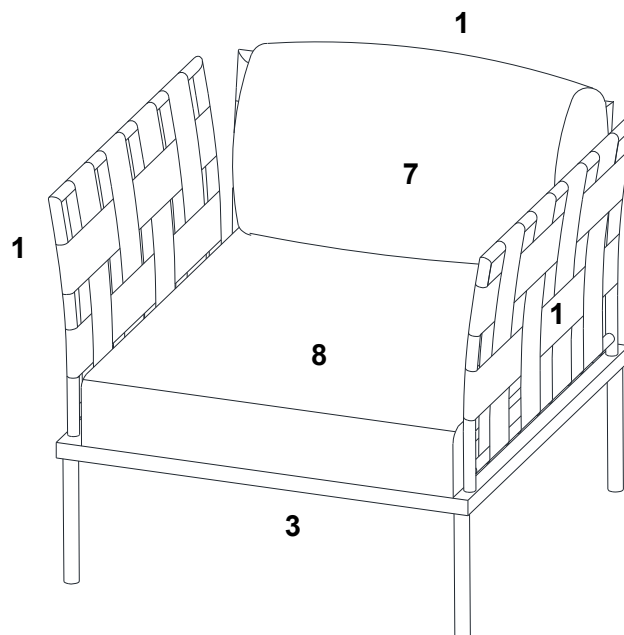
1. We suggest you spend a short time reading through this leaflet and then follow the simple step by step instructions.
2. Owing to the size and weight of the series, we recommend that it is assembled by two adults, on a carpeted or padded area, in the room that it is intended for. Approx assembly time: 30 minutes.
3. Please do not use any tools other than those provided or recommended in these instructions.
4. Please do not throw away any of the packaging or the instruction until you have checked all the components and hardware and the furniture is fully assembled. Please ensure that the packaging is disposed of in a safe environmentally friendly way.
5. Assemble all components loosely until advised to tighten. Depending on use, it may be necessary to tighten the components from time to time, so please save the tools that has been provided.
6. Please keep all fitting out of reach of children.



Hardware:

A		Bolt M8x30mm	x6
B		Spring Washer	x6
C		Flat Washer	x6
D		Allen Wrench	x1

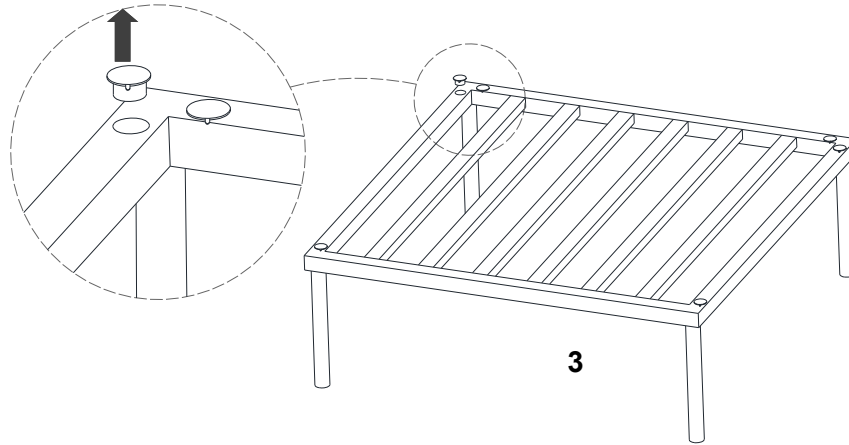
Component:



1	Platform	x3	3	Chair Seat Base	x1
7	Back Cushion	x1	8	Seat Cushion	x1

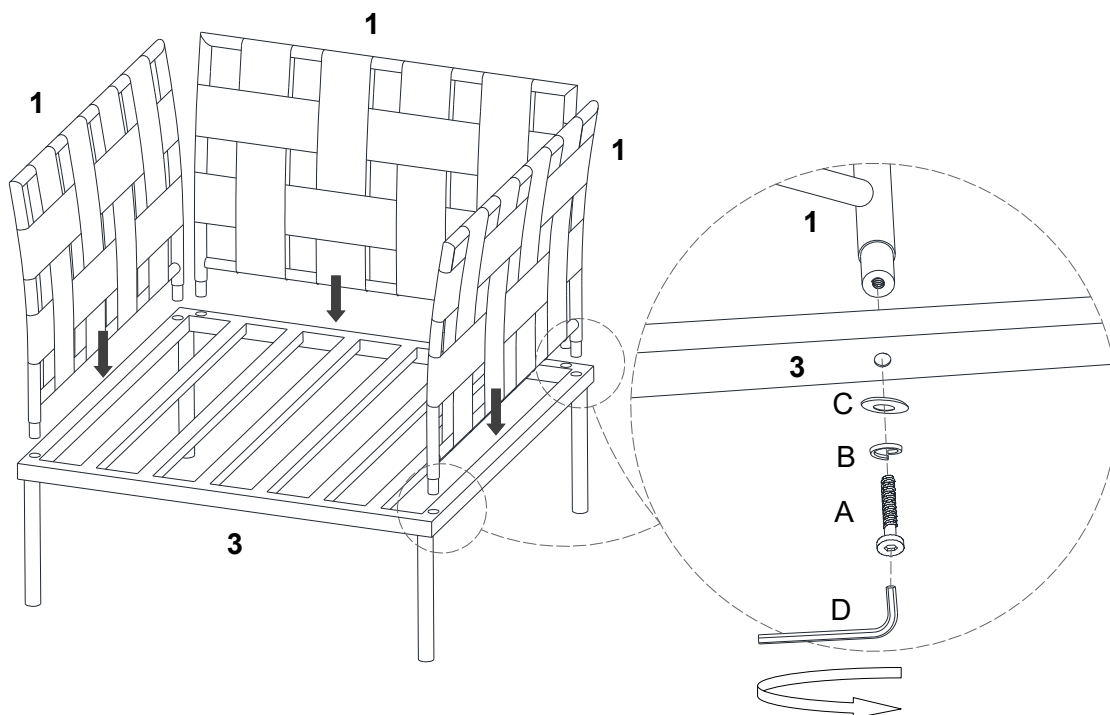
STEP 1:

Place **Chair Seat Base (3)** on a carpeted or padded area.
 Remove the plastic cover pre-installed on **Chair Seat Base (3)** as shown.
 Carefully keep the removed plastic cover for future use.



STEP 2:

Insert 1 piece of **Platform (1)** into the pre-drilled holes on **Chair Seat Base (3)** as shown.
 Attach by using 2 piece of **Bolt (A)**, 2 pieces of **Spring Washer (B)** and 2 pieces of **Flat Washer (C)** from the bottom of **Chair Seat Base (3)** as shown.
 Repeat the same steps for the remaining **Platforms (1)**.
 Use **Allen Wrench (D)** to tighten all **Bolts (A)** clockwise until secure.

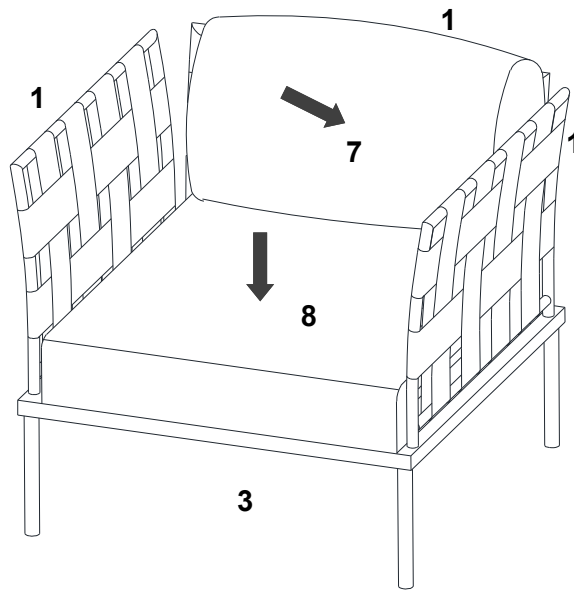


Ax6	Bx6	Cx6	Dx1

Hardware & Tool required

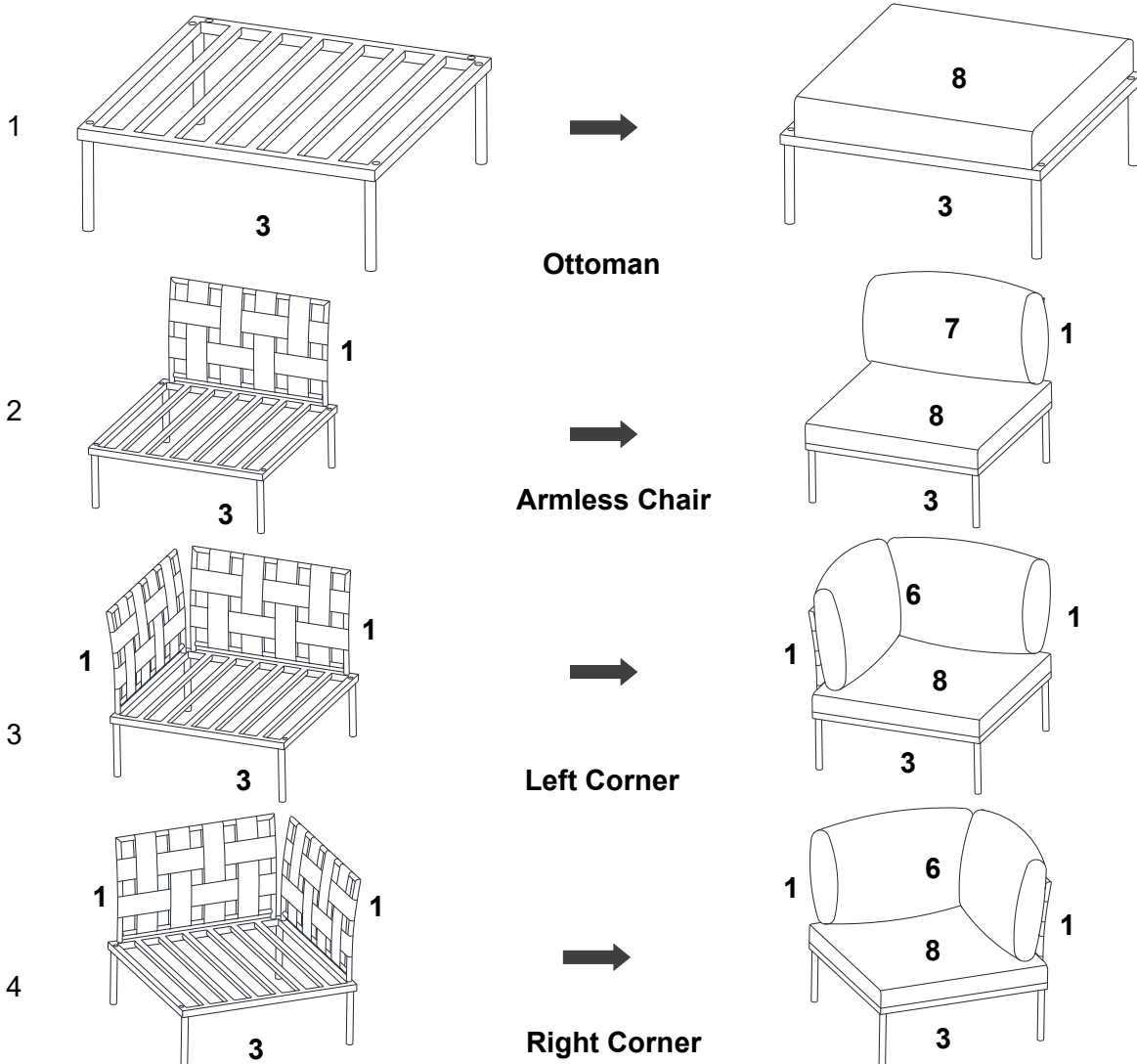
STEP 3:

Carefully place **Seat Cushion (8)** and **Back Cushion (7)** on the assembled **Chair Seat Base (3)** and **Platform (1)** as shown.



Assembly is complete. Your arm chair is ready to be enjoyed now!

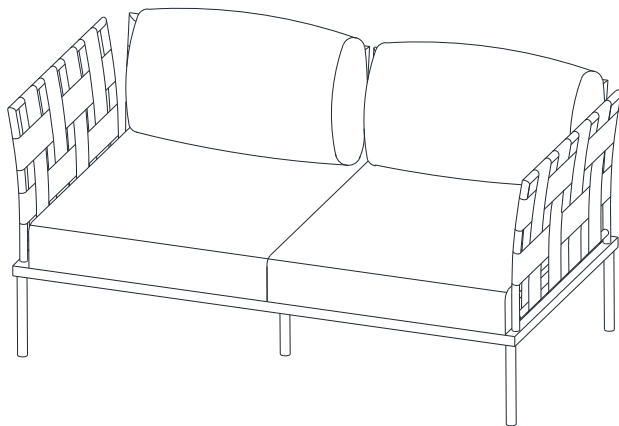
Assembly Options:







Thank you for purchasing the **MODWAY MULTIFUNCTION SOFA SERIES** !

Before you start, here is some helpful advice:

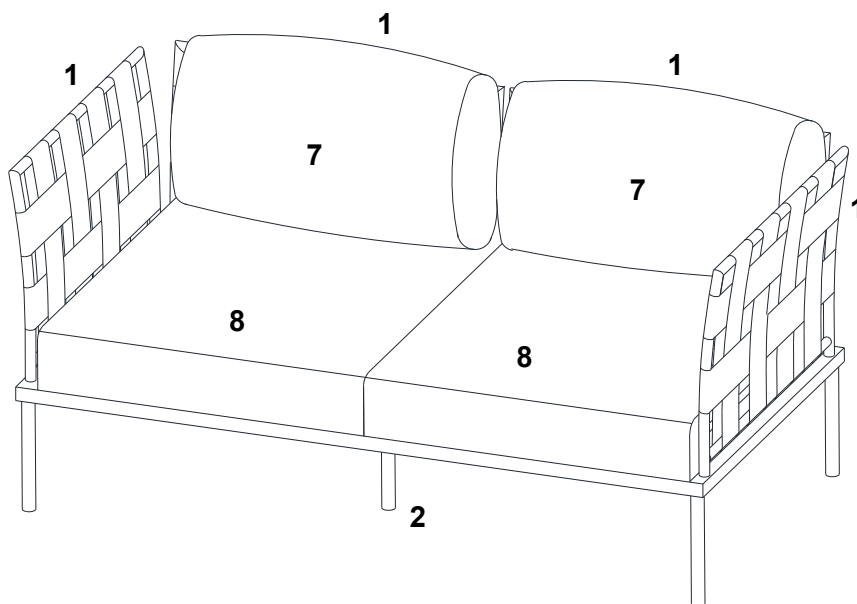
1. We suggest you spend a short time reading through this leaflet and then follow the simple step by step instructions.
2. Owing to the size and weight of the series, we recommend that it is assembled by two adults, on a carpeted or padded area, in the room that it is intended for. Approx assembly time: 45 minutes.
3. Please do not use any tools other than those provided or recommended in these instructions.
4. Please do not throw away any of the packaging or the instruction until you have checked all the components and hardware and the furniture is fully assembled. Please ensure that the packaging is disposed of in a safe environmentally friendly way.
5. Assemble all components loosely until advised to tighten. Depending on use, it may be necessary to tighten the components from time to time, so please save the tools that has been provided.
6. Please keep all fitting out of reach of children.



Hardware:

A		Bolt M8x30mm	x8
B		Spring Washer	x8
C		Flat Washer	x8
D		Allen Wrench	x1

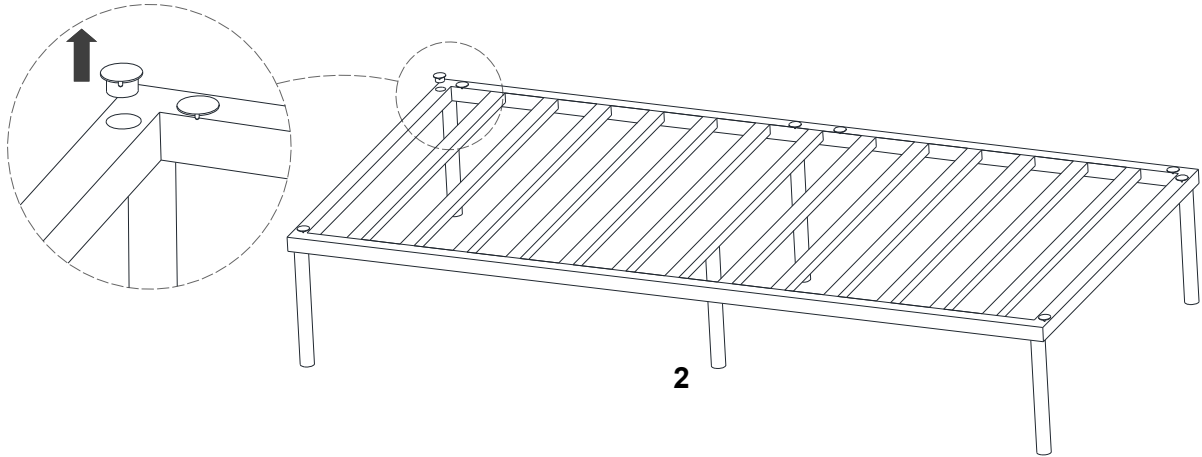
Component:



1	Platform	x4	2	Loveseat Base	x1
7	Back Cushion	x2	8	Seat Cushion	x2

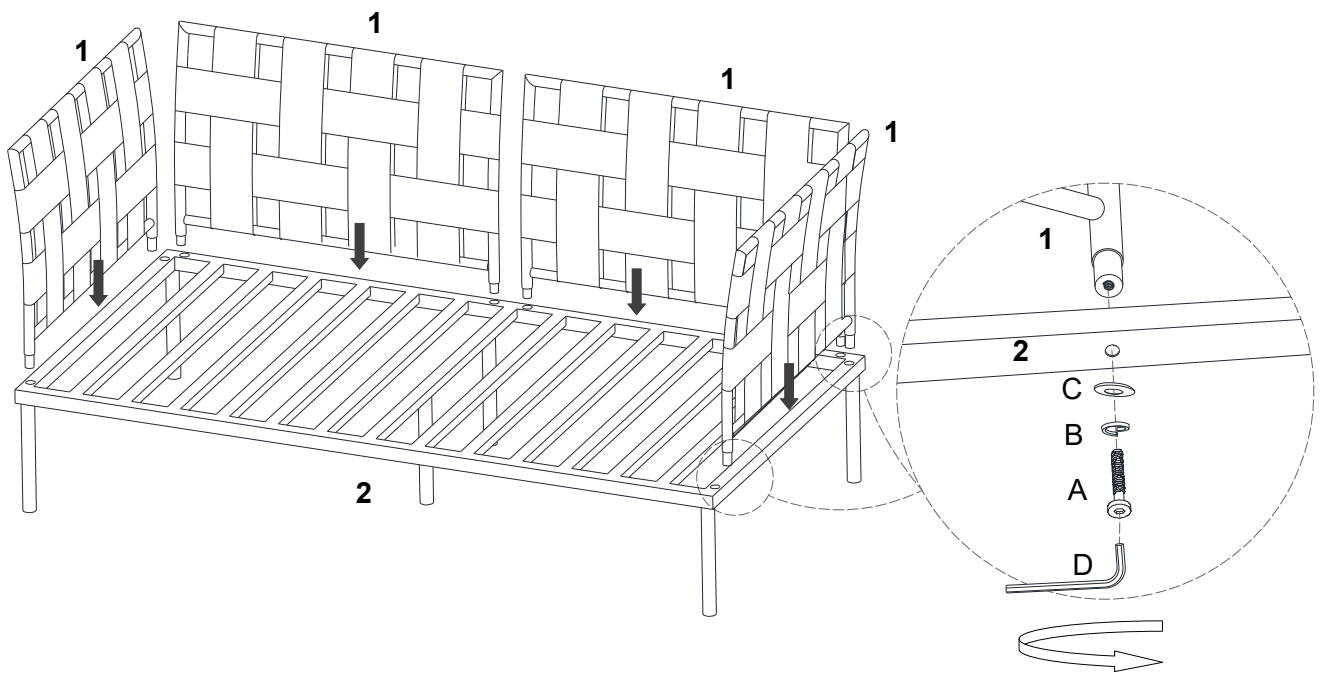
STEP 1:

Place **Loveseat Base (2)** on a carpeted or padded area.
 Remove the plastic cover pre-installed on **Loveseat Base (2)** as shown.
 Carefully keep the removed plastic cover for future use.



STEP 2:

Insert 1 piece of **Platform (1)** into the pre-drilled holes on **Loveseat Base (1)** as shown.
 Attach by using 2 piece of **Bolt (A)**, 2 pieces of **Spring Washer (B)** and 2 pieces of **Flat Washer (C)** from the bottom of **Loveseat Base (2)** as shown.
 Repeat the same steps for the remaining **Platforms (1)**.
 Use **Allen Wrench (D)** to tighten all **Bolts (A)** clockwise until secure.

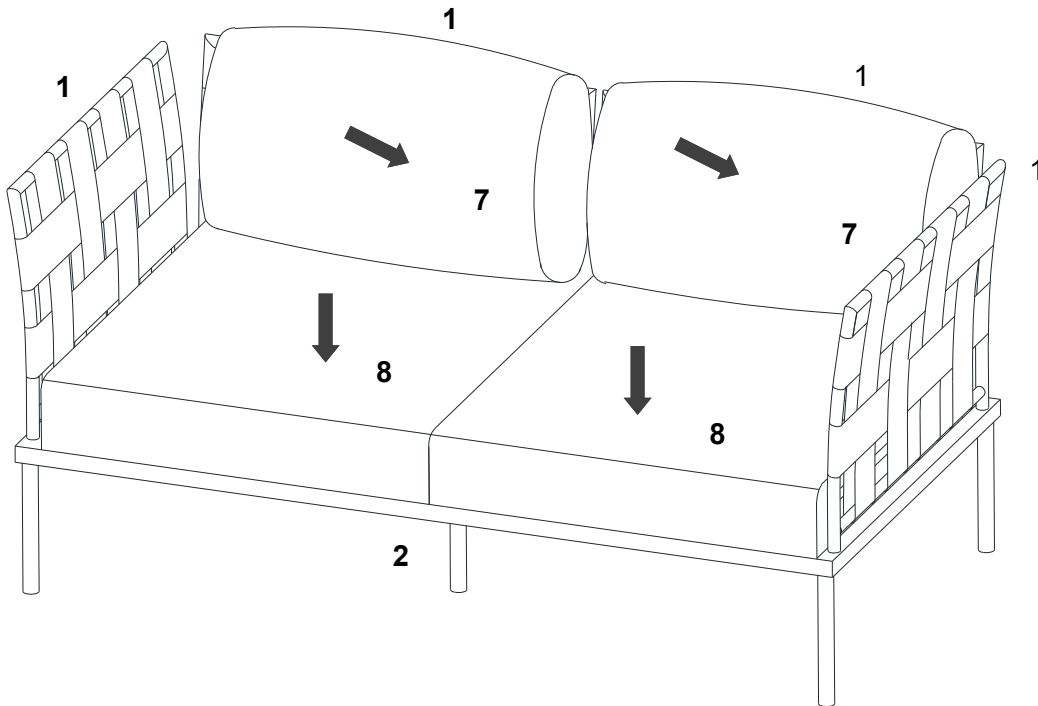


Ax8	Bx8	Cx8	Dx1

Hardware & Tool required

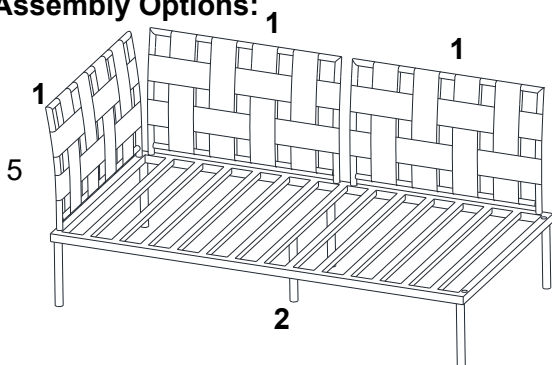
STEP 3:

Carefully place **Seat Cushion (8)** and **Back Cushion (7)** on the assembled **Loveseat Base (2)** and **Platform (1)** as shown.

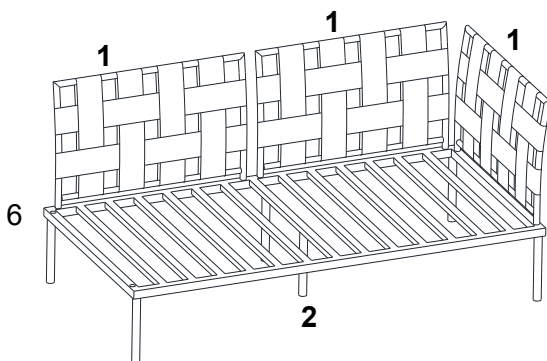
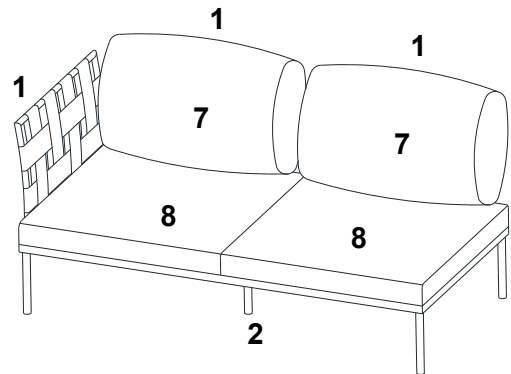


Assembly is complete. Your arm loveseat is ready to be enjoyed now!

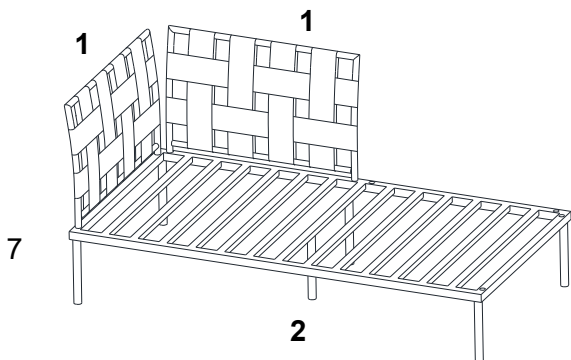
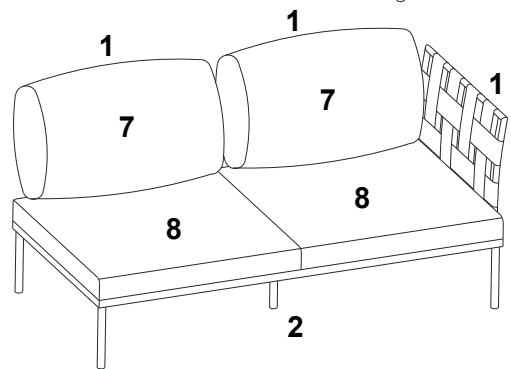
Assembly Options:



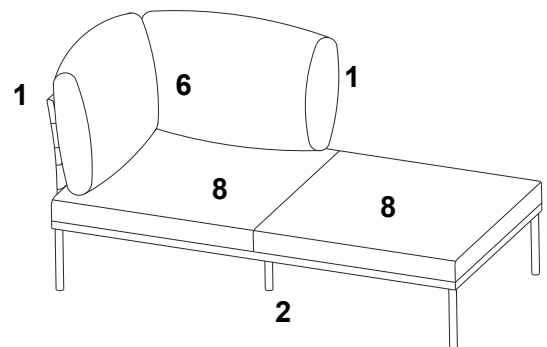
Left Loveseat



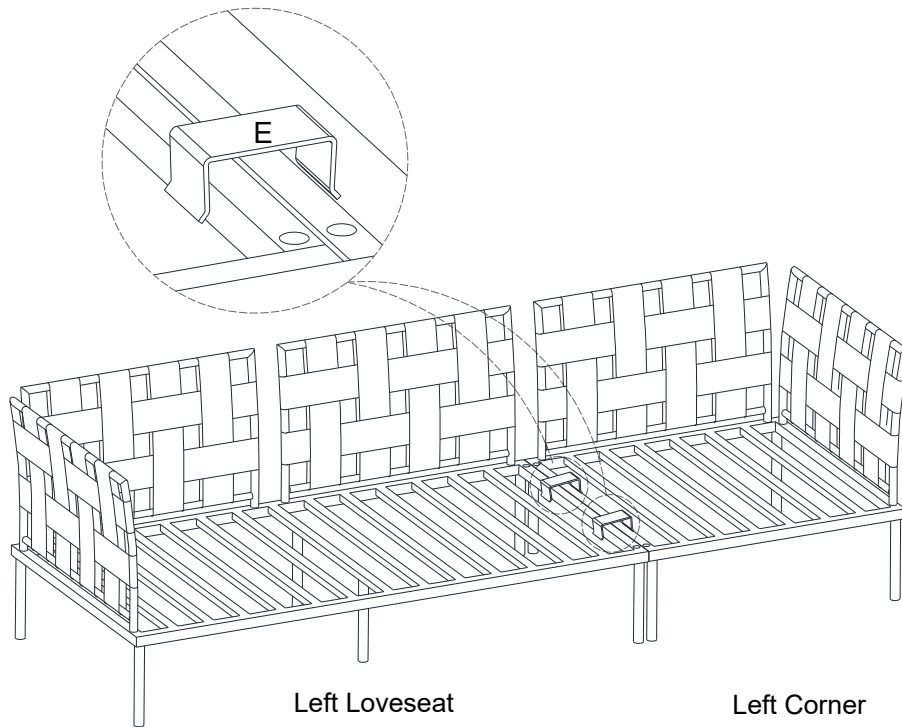
Right Loveseat



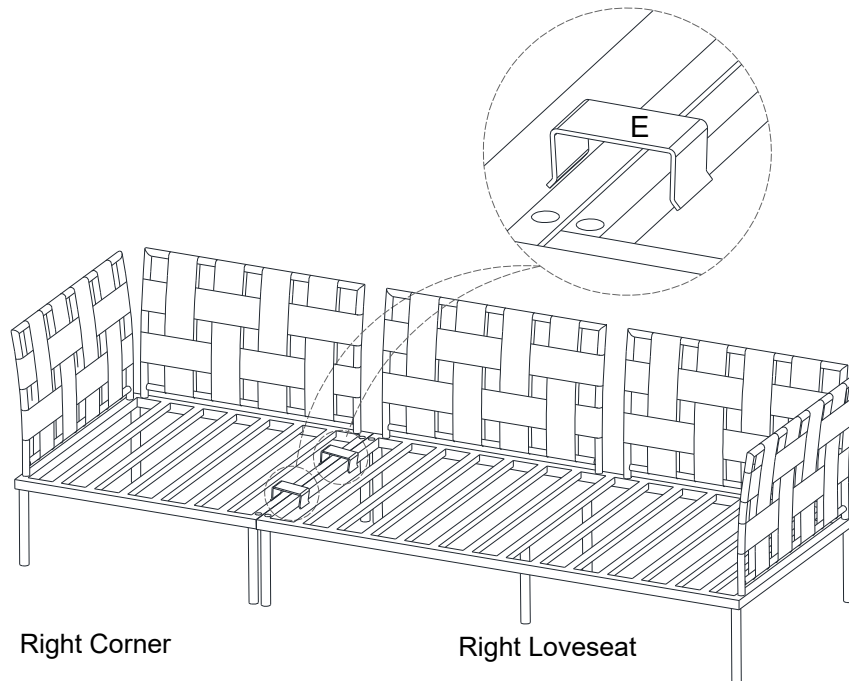
Chaise



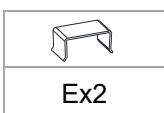
Pieces in the series attach to one-another as desired. Below is just one of many possible combinations:



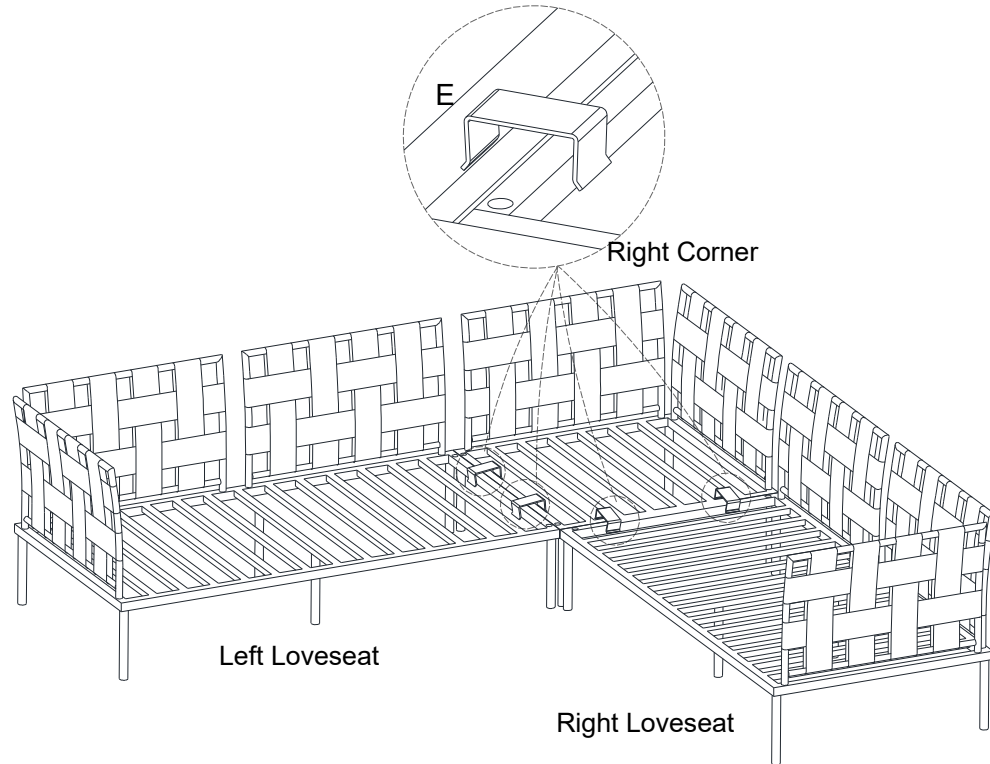
Combine **Assembly Option 3** and **Assembly Option 5** together by using 2 pieces of **Hook (E)** as shown.



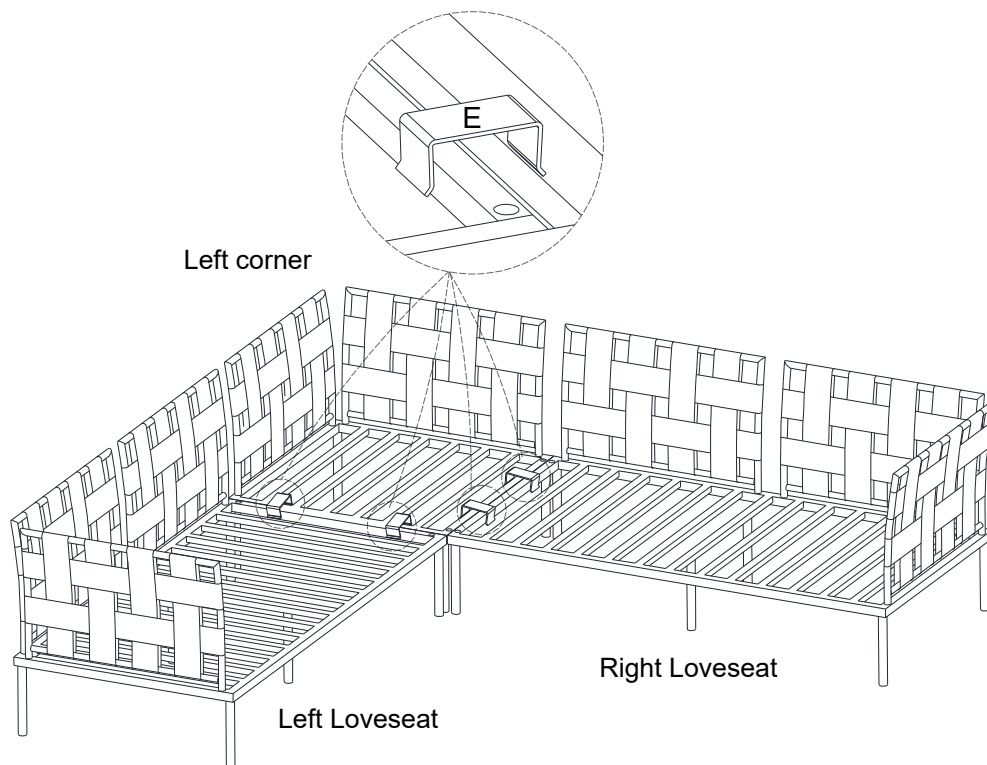
Combine **Assembly Option 4** and **Assembly Option 6** together by using 2 pieces of **Hook (E)** as shown.



Hardware & Tool required

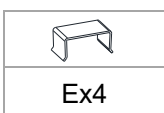


Combine **Assembly Option 3**, **Assembly Option 5** and **Assembly Option 6** together by using 4 pieces of **Hook (E)** as shown.



Combine **Assembly Option 4**, **Assembly Option 5** and **Assembly Option 6** together by using 4 pieces of **Hook (E)** as shown.

Enjoy The Series!



Hardware & Tool required