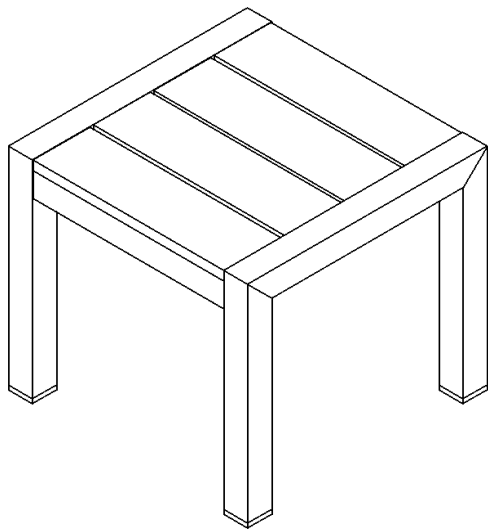


Thank you for purchasing the **MODWAY TABLE**.

Before you start, here are some helpful advice:

1. We suggest you spend a short time reading through this leaflet and then follow the simple step-by-step instructions.
2. Owing to the size and weight of the table, we recommend that it is assembled by two adults, on a carpeted or padded area, in the room that it is intended for. Approximate assembly time: 30 minutes.
3. Please do not use any tools other than those provided or recommended in these instructions.
4. Please do not throw away any of the packaging or the instruction until you have checked all the components and hardware and the furniture is fully assembled. Please ensure that the packaging is disposed of in a safe and environmentally friendly way.
5. Assemble all components loosely until advised to tighten. Depending on use, it may be necessary to tighten the components from time to time, so please save the tools that have been provided.
6. Please keep all pieces out of reach of children.

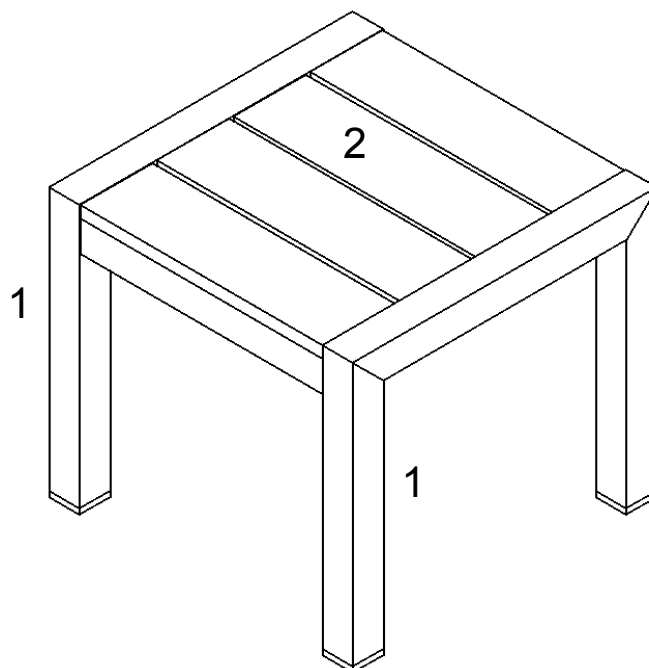


Hardware:

A.  Bolt M6x20mm x4

B.  Allen Wrench x1

Components:



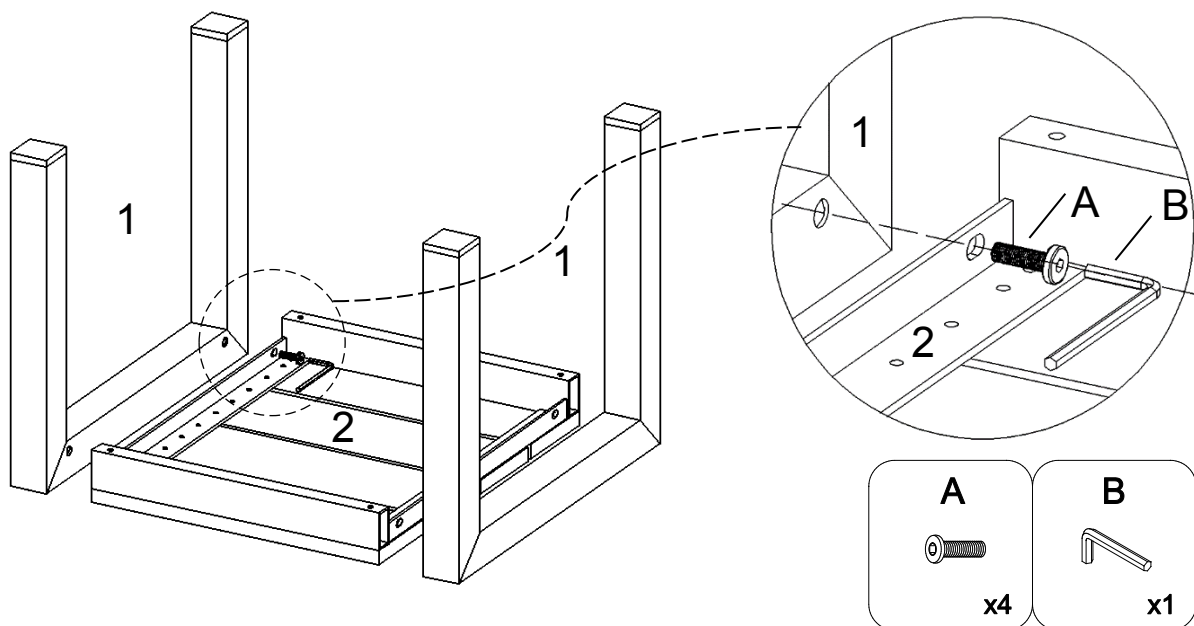
1. Leg x2

2. Table Top x1

## STEP 1:

1. Please put 1 piece of **Leg (1)** and **Table Top (2)** upside down on a carpeted or padded area as shown.
2. Insert 2 pieces of **Bolts (A)** from the pre-drilled holes on the side rail of the **Table Top (2)** into each end of **Leg (1)** as shown.
3. Do not fully tighten **Bolts (A)** at this step.
4. Repeat the same steps for the remaining piece of **Leg (1)**.
5. After checking the leveling for all connections, please use **Allen Wrench (B)** to tighten all **Bolts (A)**

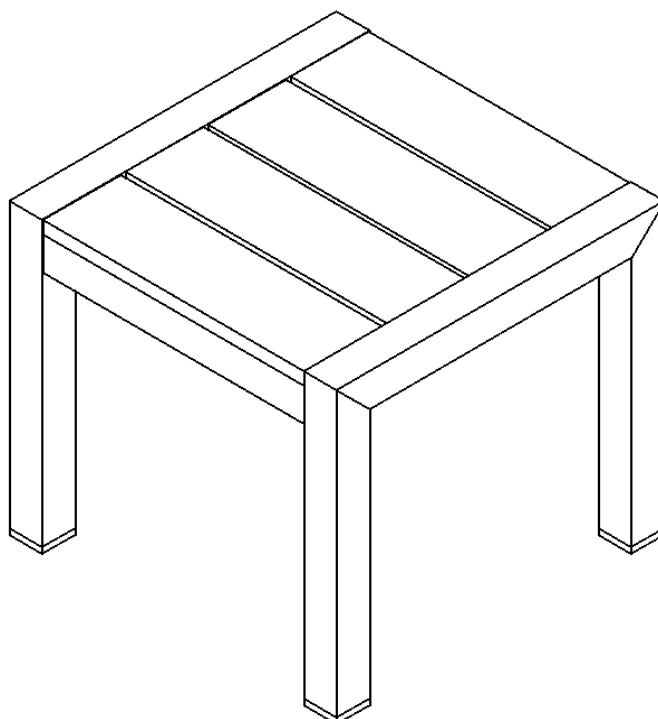
clockwise until secure.



## Hardware & Tools Required

## STEP 2:

Carefully position the table to your desired location.

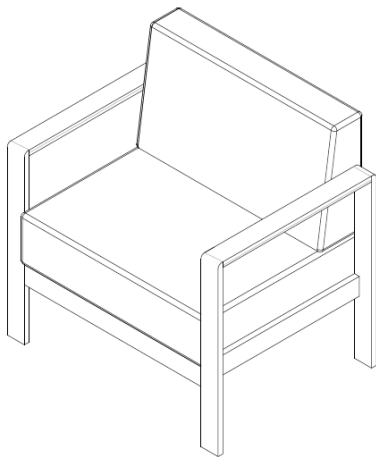


Assembly is completed. The table is ready to enjoy now!

Thank you for purchasing the **MODWAY ARM CHAIR!**

Before you start, here is some helpful advice:

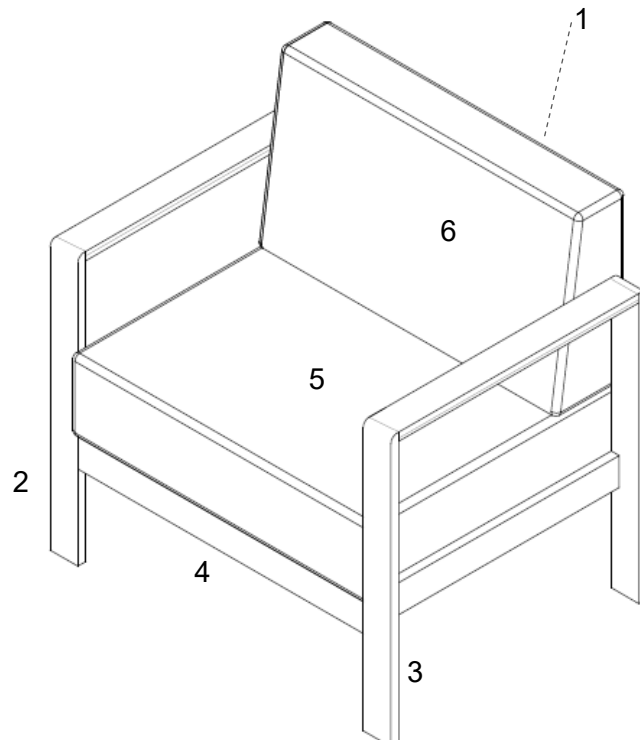
1. We suggest you spend a short time reading through this leaflet and then follow the simple step by step instructions.
2. Owing to the size and weight of the chair, we recommend that it is assembled by two adults, on a carpeted or padded area, in the room that it is intended for. Approx assembly time: 30 minutes.
3. Please do not use any tools other than those provided or recommended in these instructions.
4. Please do not throw away any of the packaging or the instruction until you have checked all the components and hardware and the furniture is fully assembled. Please ensure that the packaging is disposed of in a safe environmentally friendly way.
5. Assemble all components loosely until advised to tighten. Depending on use, it may be necessary to tighten the components from time to time, so please save the tools that has been provided.
6. Please keep all fitting out of reach of children.



### Hardware:

A		Bolt M6x20mm	x4
B		Bolt M6x25mm	x6
C		Allen Wrench M4	x1

### Component:



1	Top Rail	x1	2	Left Leg	x1	3	Right Leg	x1
4	Seat Frame	x1	5	Seat Cushion	x1	6	Back Cushion	x1

## STEP 1:

Remove the plastic covers which pre-install in the end of the **Seat Frame (4)** by using **Allen Wrench (C)**.

Please put **Left Leg (2)** on a carpeted or padded area as shown.

Insert **Top Rail (1)** and **Seat Frame (4)** into **Left Leg (2)** as shown.

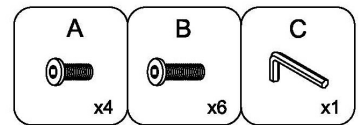
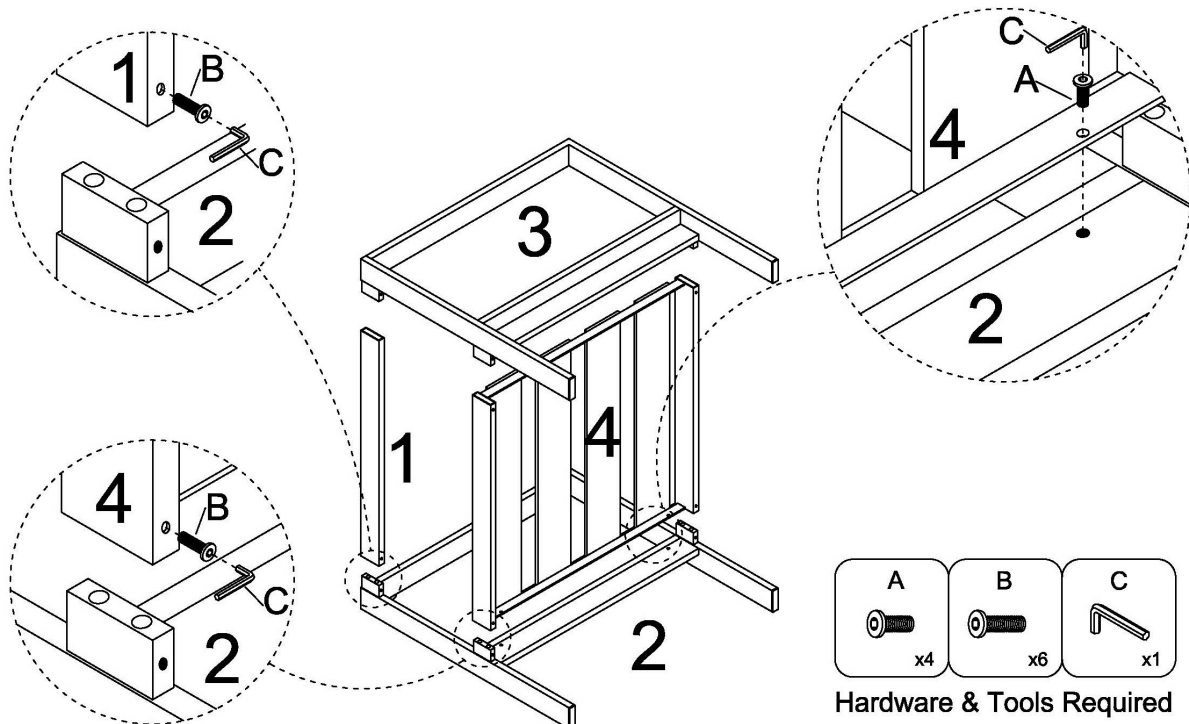
Insert 3 pieces of **Bolts (B)** from the pre-drilled holes on the bottom of the **Top Rail (1)** and **Seat Frame (4)** into each side on the bottom of **Left Leg (2)**.

Insert 2 pieces of **Bolts (A)** from the pre-drilled holes on the side rail of the **Seat Frame (4)** into each end of **Left Leg (2)** as shown.

Do not fully tighten **Bolts (A&B)** at this step.

Repeat the same steps for **Right Leg (3)**.

After checking the leveling for all connections, please use **Allen Wrench (C)** to tighten all **Bolts (A&B)** clockwise until secure.

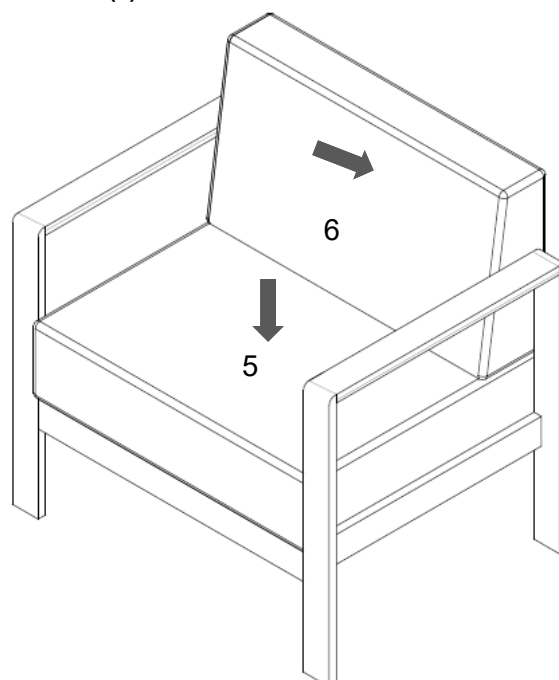


Hardware & Tools Required

## STEP 2:

Carefully place the assembled chair at your desired location.

Put the **Seat Cushion (5)** and **Back Cushion (6)** to assembled loveseat frame as shown.



Assembly is completed. The chair is ready to enjoy now!