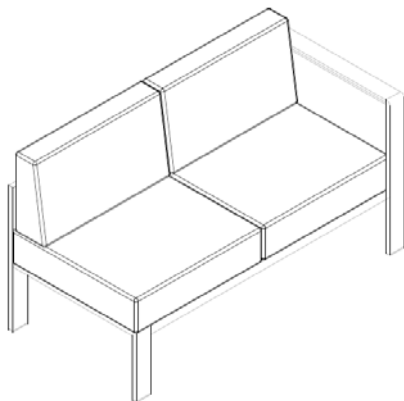


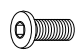
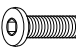

Thank you for purchasing the **MODWAY RIGHT ARM LOVESEAT!**

Before you start, here is some helpful advice:

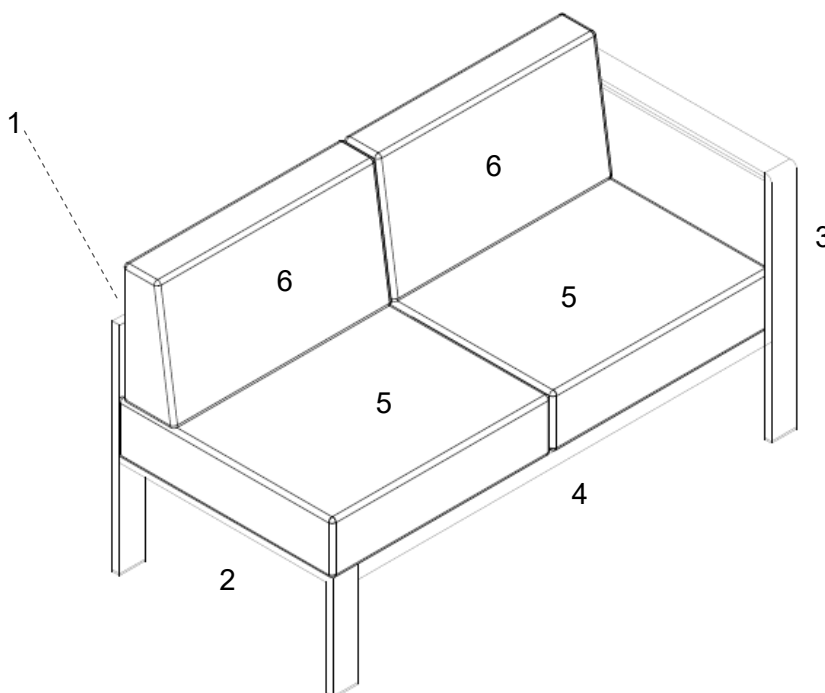
1. We suggest you spend a short time reading through this leaflet and then follow the simple step by step instructions.
2. Owing to the size and weight of the loveseat, we recommend that it is assembled by two adults, on a carpeted or padded area, in the room that it is intended for. Approx assembly time: 30 minutes.
3. Please do not use any tools other than those provided or recommended in these instructions.
4. Please do not throw away any of the packaging or the instruction until you have checked all the components and hardware and the furniture is fully assembled. Please ensure that the packaging is disposed of in a safe environmentally friendly way.
5. Assemble all components loosely until advised to tighten. Depending on use, it may be necessary to tighten the components from time to time, so please save the tools that has been provided.
6. Please keep all fitting out of reach of children.



Hardware:

A		Bolt M6x20mm	x4
B		Bolt M6x25mm	x6
C		Allen Wrench M4	x1

Component:



1	Top Rail	x1	2	Left Leg	x1	3	Right Leg	x1
4	Seat Frame	x1	5	Seat Cushion	x2	6	Back Cushion	x2

GH9D%

Remove the plastic covers which pre-install in the end of the **Seat Frame (4)** by using **Allen Wrench (C)**.

Please put 1 piece of **Right Leg (3)** on a carpeted or padded area as shown.

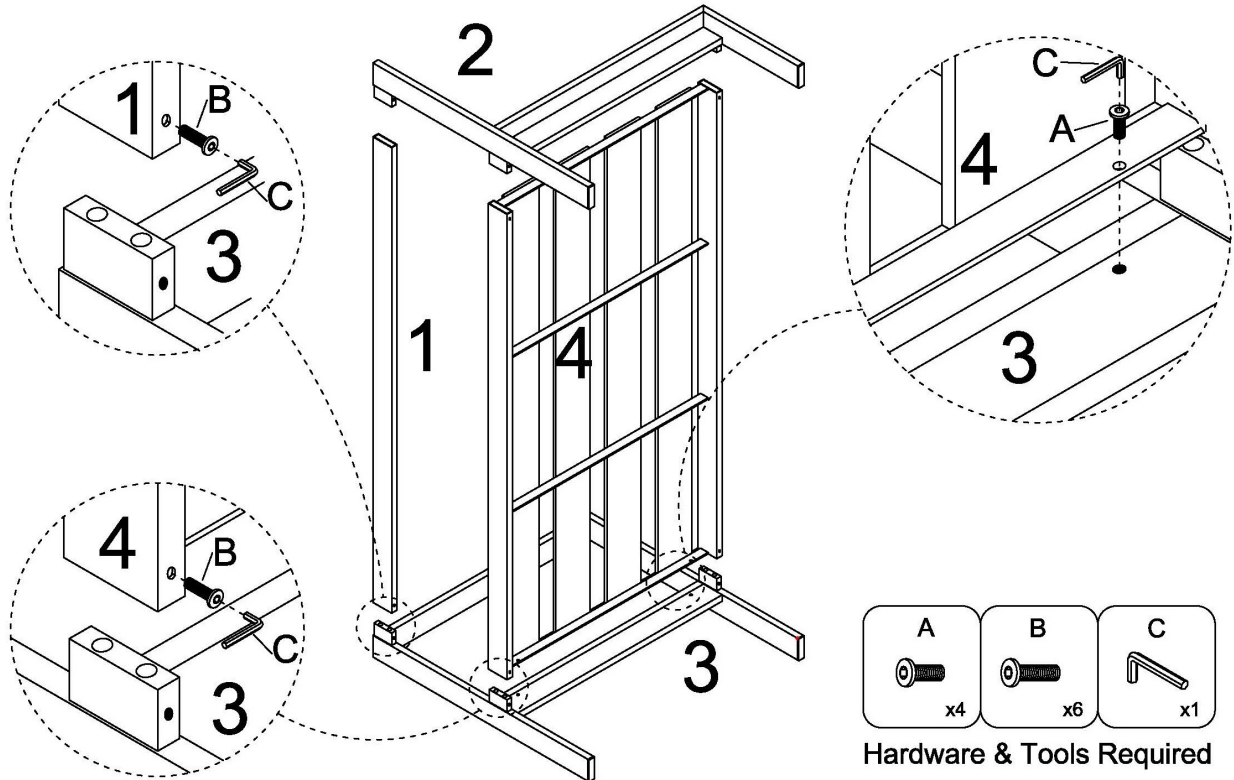
Insert **Top Rail (1)** and **Seat Frame (4)** into **Right Leg (3)** as shown.

Insert 3 pieces of **Bolts (B)** from the pre-drilled holes on the bottom of the **Top Rail (1)** and **Seat Frame (4)** into each side on the bottom of **Right Leg (3)**.

Insert 2 pieces of **Bolts (A)** from the pre-drilled holes on the side rail of the **Seat Frame (4)** into each end of **Right Leg (3)** as shown. Do not fully tighten **Bolts (A&B)** at this step.

Repeat the same steps for **left Leg (2)**.

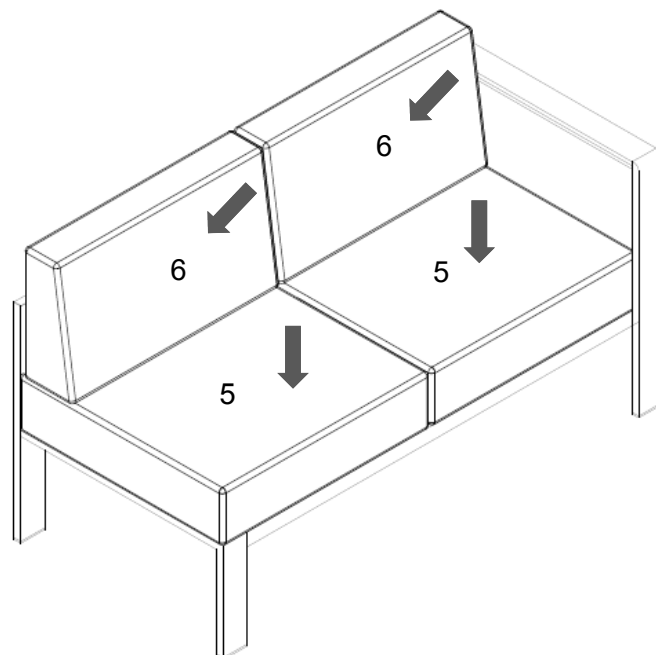
After checking the leveling for all connections, please use **Allen Wrench (C)** to tighten all **Bolts (A&B)** clockwise until secure.



STEP 2:

Carefully place the assembled loveseat frame at your desired position.

Put the **Seat Cushions (5)** and **Back Cushions (6)** to assembled loveseat frame as shown.

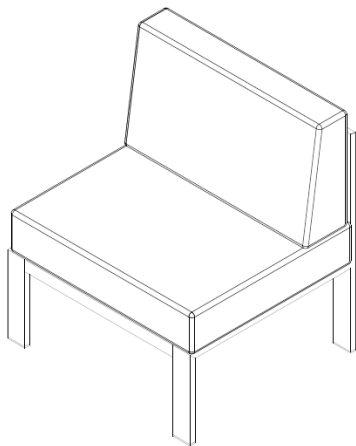


Assembly is completed. The loveseat is ready to enjoy now!

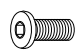
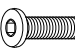

Thank you for purchasing the **MODWAY ARMLESS CHAIR!**

Before you start, here is some helpful advice:

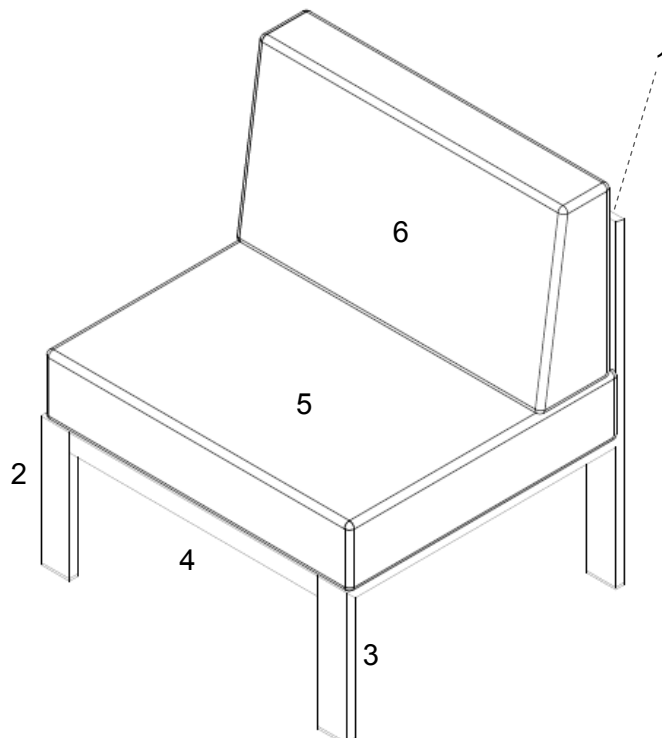
1. We suggest you spend a short time reading through this leaflet and then follow the simple step by step instructions.
2. Owing to the size and weight of the chair, we recommend that it is assembled by two adults, on a carpeted or padded area, in the room that it is intended for. Approx assembly time: 30 minutes.
3. Please do not use any tools other than those provided or recommended in these instructions.
4. Please do not throw away any of the packaging or the instruction until you have checked all the components and hardware and the furniture is fully assembled. Please ensure that the packaging is disposed of in a safe environmentally friendly way.
5. Assemble all components loosely until advised to tighten. Depending on use, it may be necessary to tighten the components from time to time, so please save the tools that has been provided.
6. Please keep all fitting out of reach of children.



Hardware:

A		Bolt M6x20mm	x4
B		Bolt M6x25mm	x6
C		Allen Wrench M4	x1

Component:



1	Top Rail	x1	2	Left Leg	x2	3	Right Leg	x1
4	Seat Frame	x1	5	Seat Cushion	x1	6	Back Cushion	x1

STEP 1:

Remove the plastic covers which pre-install in the end of the **Seat Frame (4)** by using **Allen Wrench (C)**.

Please put **Right Leg (2)** on a carpeted or padded area as shown.

Insert **Top Rail (1)** and **Seat Frame (4)** into the **Right Leg (2)** as shown.

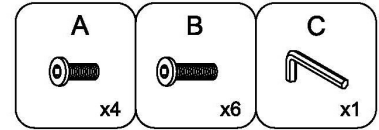
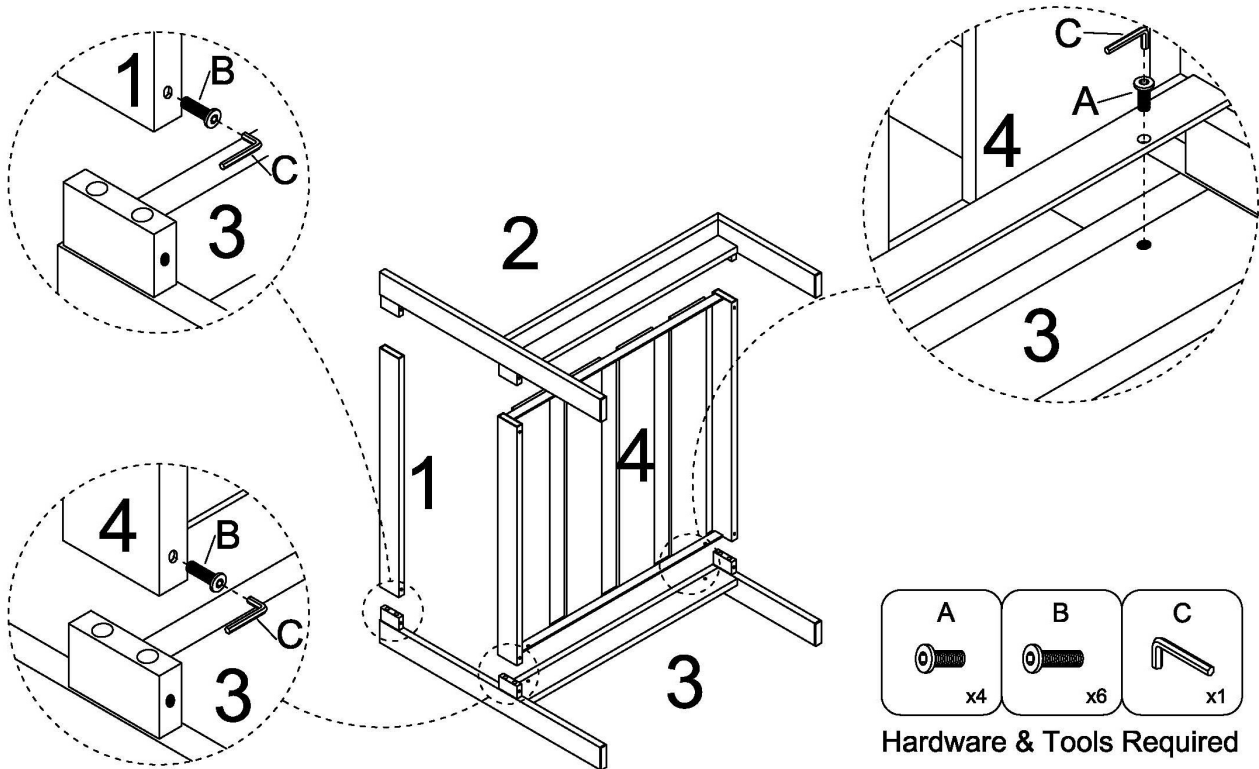
Insert 3 pieces of **Boltg (B)** from the pre-drilled holes on the bottom of the **Top Rail (1)** and **Seat Frame (4)** into each side on the bottom of **Right Leg (2)**.

Insert 2 pieces of **Boltg (A)** from the pre-drilled holes on the side rail of the **Seat Frame (4)** into each end of the **Right Leg (2)** as shown.

Do not fully tighten **Bolts (A&B)** at this step.

Repeat the same steps for the remaining 1 piece of **Left Leg (2)**.

After checking the leveling for all connections, please use **Allen Wrench (C)** to tighten all **Bolts (A&B)** clockwise until secure.

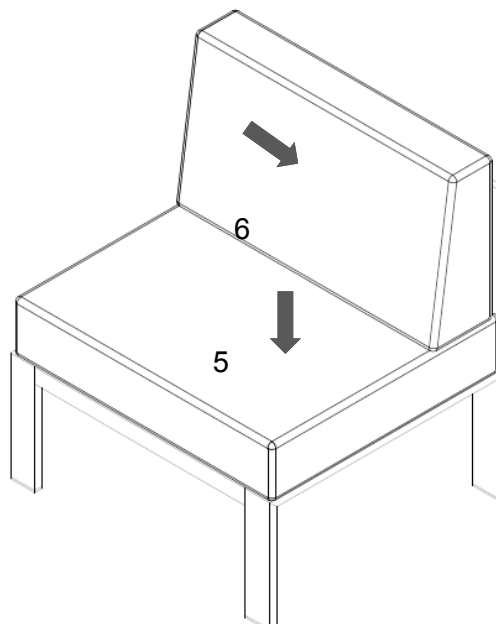


Hardware & Tools Required

STEP 2:

Carefully place the assembled chair at your desired position.

Put the **Seat Cushion (5)** and **Back Cushion (6)** to assembled chair frame as shown.

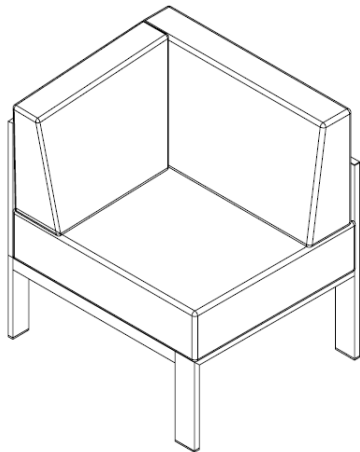


Assembly is completed. The chair is ready to enjoy now!


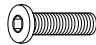

Thank you for purchasing the **MODWAY CORNER**!

Before you start, here is some helpful advice:

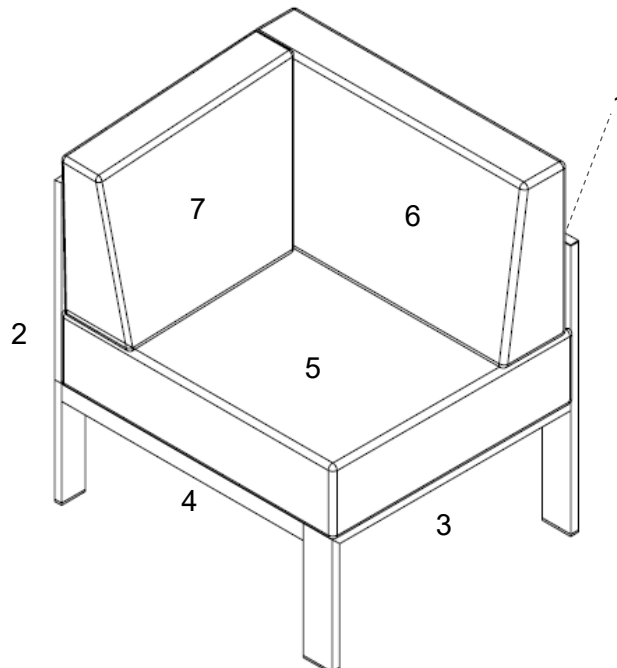
1. We suggest you spend a short time reading through this leaflet and then follow the simple step by step instructions.
2. Owing to the size and weight of the corner, we recommend that it is assembled by two adults, on a carpeted or padded area, in the room that it is intended for. Approx assembly time: 30 minutes.
3. Please do not use any tools other than those provided or recommended in these instructions.
4. Please do not throw away any of the packaging or the instruction until you have checked all the components and hardware and the furniture is fully assembled. Please ensure that the packaging is disposed of in a safe environmentally friendly way.
5. Assemble all components loosely until advised to tighten. Depending on use, it may be necessary to tighten the components from time to time, so please save the tools that has been provided.
6. Please keep all fitting out of reach of children.



Hardware:

- | | | | |
|---|--|-----------------|----|
| A |  | Bolt M6x20mm | x4 |
| B |  | Bolt M6x25mm | x6 |
| C |  | Allen Wrench M4 | x1 |

Component:



1	Top Rail	x1	2	Left Leg	x1	3	Right Leg	x1	4	Seat Frame	x1
5	Seat Cushion	x1	6	Back Cushion	x1	7	Side Cushion	x1			

STEP 1:

Remove the plastic covers which pre-install in the end of the **Seat Frame (4)** by using **Allen Wrench (C)**.

Please put **left Leg (2)** on a carpeted or padded area as shown.

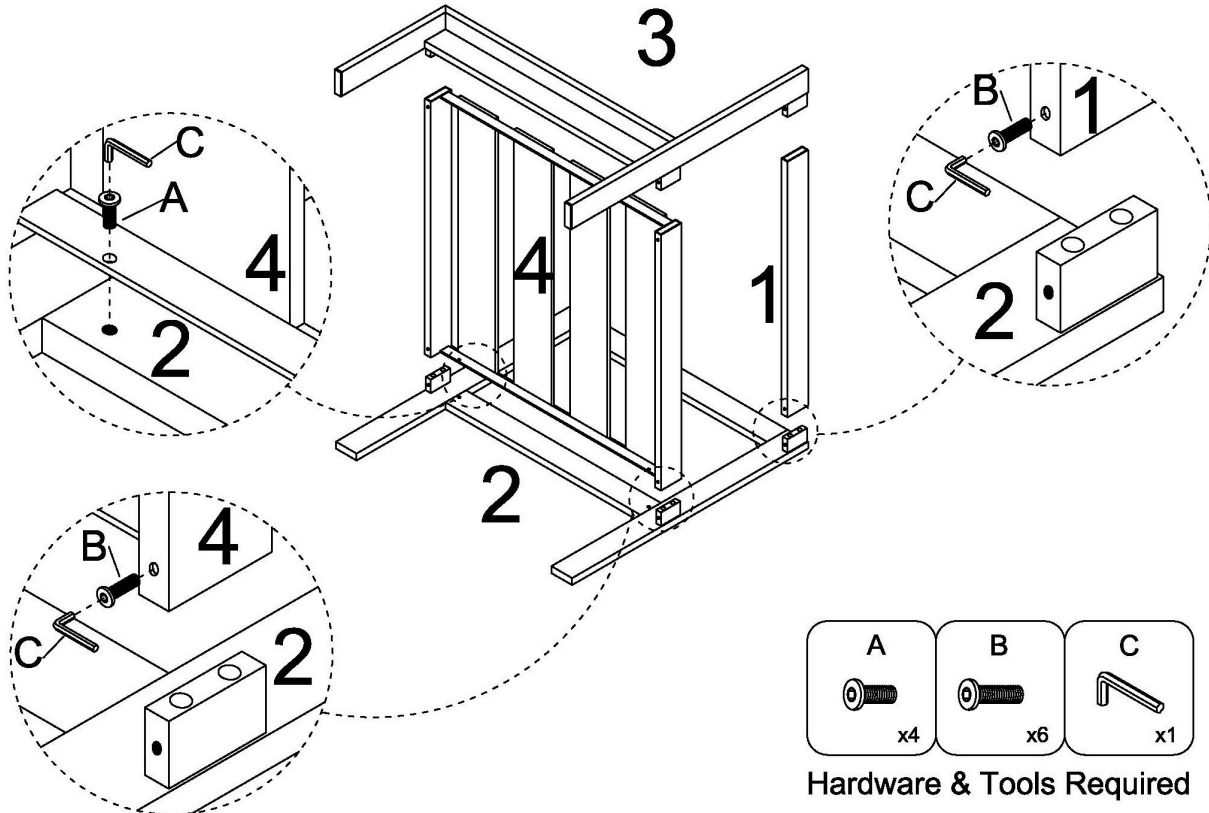
Insert **Top Rail (1)** and **Seat Frame (4)** into **Left Leg (2)** as shown.

Insert 3 pieces of **Bolts (B)** from the pre-drilled holes on the bottom of the **Top Rail (1)** and **Seat Frame (4)** into each side on the bottom of **Left Leg (2)**.

Insert 2 pieces of **Bolts (A)** from the pre-drilled holes on the side rail of the **Seat Frame (4)** into each end of **Left Leg (2)** as shown. Do not fully tighten **Bolts (A&B)** at this step.

Repeat the same steps for **Right Leg (3)**.

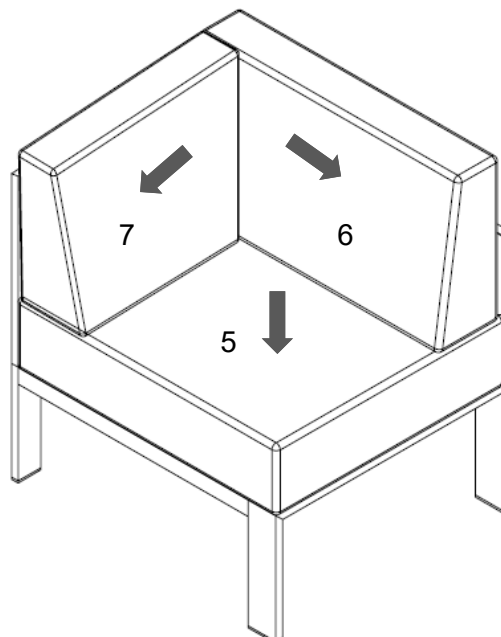
After checking the leveling for all connections, please use **Allen Wrench (C)** to tighten all **Bolts (A&B)** clockwise until secure.



STEP 2:

Carefully place the assembled corner at your desired position.

Put the **Seat Cushion (5)**, **Back Cushion (6)**, and **Side Cushion (7)** to assembled corner frame as shown.

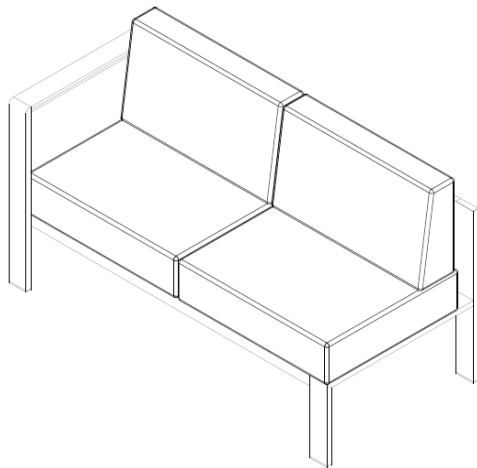


Assembly is completed. The corner is ready to enjoy now!

Thank you for purchasing the **MODWAY LEFT ARM LOVESEAT!**

Before you start, here is some helpful advice:

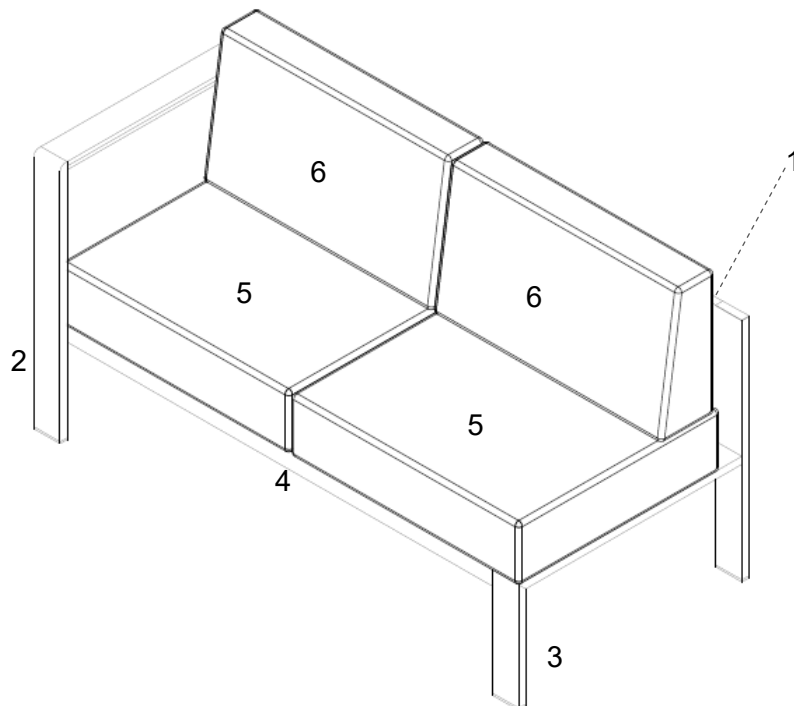
1. We suggest you spend a short time reading through this leaflet and then follow the simple step by step instructions.
2. Owing to the size and weight of the loveseat, we recommend that it is assembled by two adults, on a carpeted or padded area, in the room that it is intended for. Approx assembly time: 30 minutes.
3. Please do not use any tools other than those provided or recommended in these instructions.
4. Please do not throw away any of the packaging or the instruction until you have checked all the components and hardware and the furniture is fully assembled. Please ensure that the packaging is disposed of in a safe environmentally friendly way.
5. Assemble all components loosely until advised to tighten. Depending on use, it may be necessary to tighten the components from time to time, so please save the tools that has been provided.
6. Please keep all fitting out of reach of children.



Hardware:

A		Bolt M6x20mm	x4
B		Bolt M6x25mm	x6
C		Allen Wrench M4	x1

Component:



1	Top Rail	x1	2	Left Leg	x1	3	Right Leg	x1
4	Seat Frame	x1	5	Seat Cushion	x2	6	Back Cushion	x2

STEP 1:

Remove the plastic covers which pre-install in the end of the **Seat Frame (4)** by using **Allen Wrench (C)**.

Please put 1 piece of **Left Leg (2)** on a carpeted or padded area as shown.

Insert **Top Rail (1)** and **Seat Frame (4)** into **Left Leg (2)** as shown.

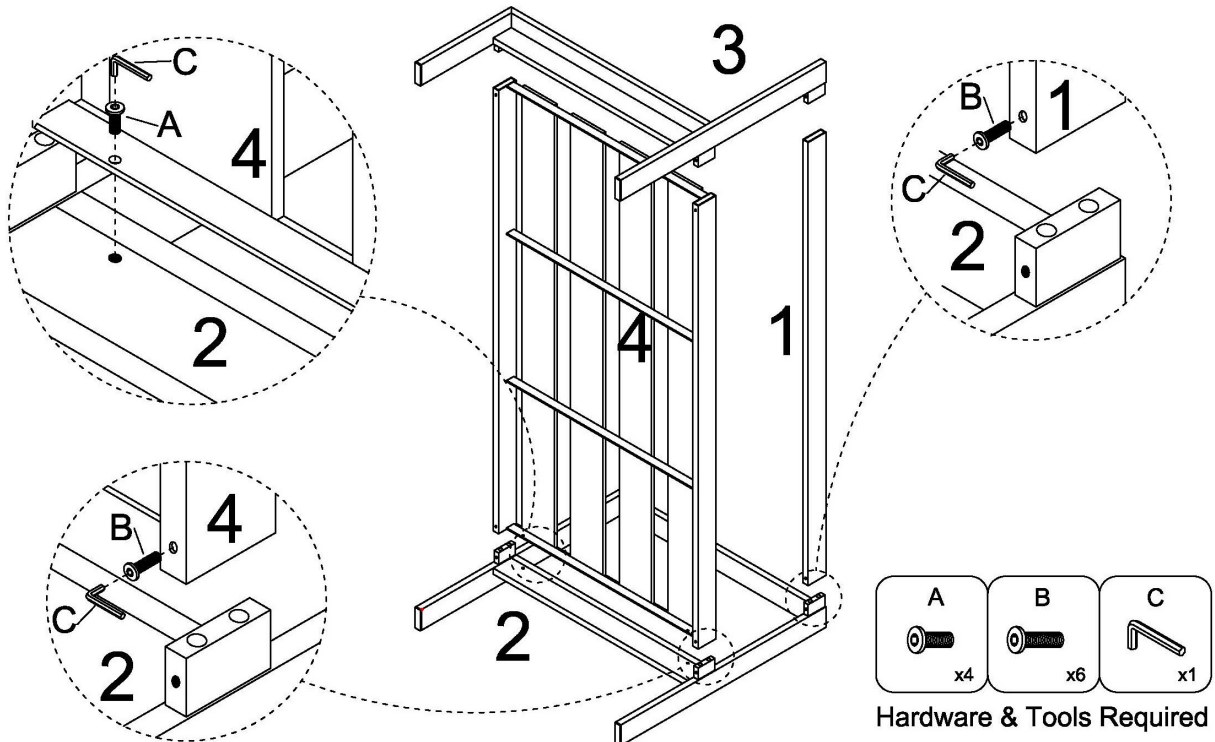
Insert 3 pieces of **Bolts (B)** from the pre-drilled holes on the bottom of the **Top Rail (1)** and **Seat Frame (4)** into each side on the bottom of **Left Leg (2)**.

Insert 2 pieces of **Bolts (A)** from the pre-drilled holes on the side rail of the **Seat Frame (4)** into each end of **Left Leg (2)** as shown.

Do not fully tighten **Bolt (A&B)** at this step.

Repeat the same steps for **Right Leg (3)**.

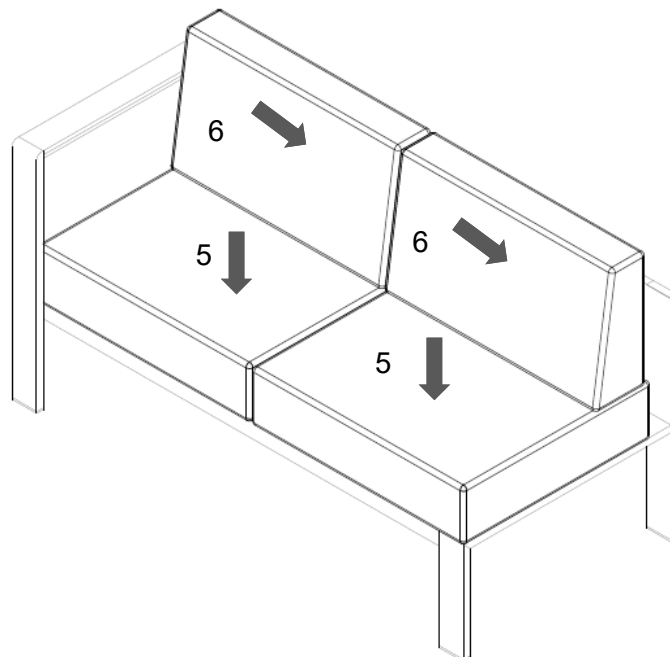
After checking the leveling for all connections, please use **Allen Wrench (C)** to tighten all **Bolts (A&B)** clockwise until secure.



STEP 2:

Carefully place the assembled loveseat at your desired position.

Put the **Seat Cushions (5)** and **Back Cushions (6)** to assembled loveseat frame as shown.

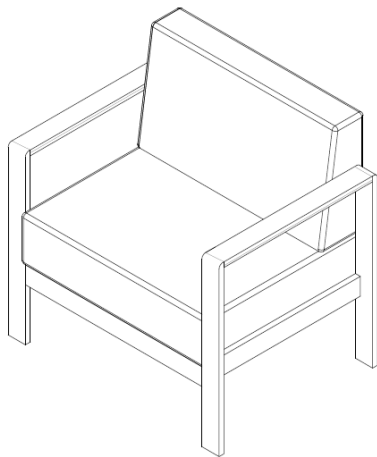


Assembly is completed. The loveseat is ready to enjoy now!

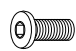
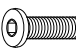

Thank you for purchasing the **MODWAY ARM CHAIR!**

Before you start, here is some helpful advice:

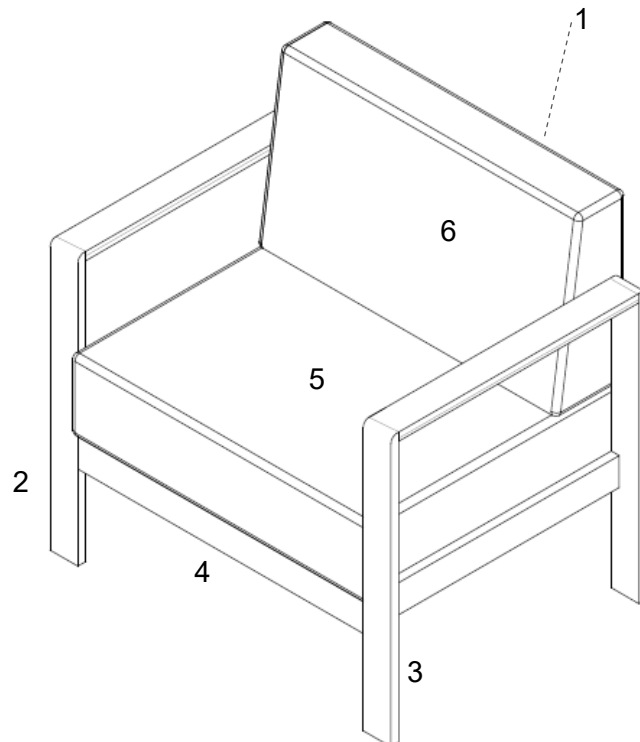
1. We suggest you spend a short time reading through this leaflet and then follow the simple step by step instructions.
2. Owing to the size and weight of the chair, we recommend that it is assembled by two adults, on a carpeted or padded area, in the room that it is intended for. Approx assembly time: 30 minutes.
3. Please do not use any tools other than those provided or recommended in these instructions.
4. Please do not throw away any of the packaging or the instruction until you have checked all the components and hardware and the furniture is fully assembled. Please ensure that the packaging is disposed of in a safe environmentally friendly way.
5. Assemble all components loosely until advised to tighten. Depending on use, it may be necessary to tighten the components from time to time, so please save the tools that has been provided.
6. Please keep all fitting out of reach of children.



Hardware:

A		Bolt M6x20mm	x4
B		Bolt M6x25mm	x6
C		Allen Wrench M4	x1

Component:



<p>1 Top Rail x1</p> <p>4 Seat Frame x1</p>	<p>2 Left Leg x1</p> <p>5 Seat Cushion x1</p>	<p>3 Right Leg x1</p> <p>6 Back Cushion x1</p>
---	---	--

STEP 1:

Remove the plastic covers which pre-install in the end of the **Seat Frame (4)** by using **Allen Wrench (C)**.

Please put **Left Leg (2)** on a carpeted or padded area as shown.

Insert **Top Rail (1)** and **Seat Frame (4)** into **Left Leg (2)** as shown.

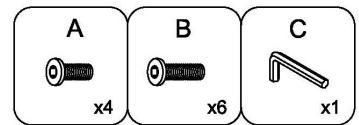
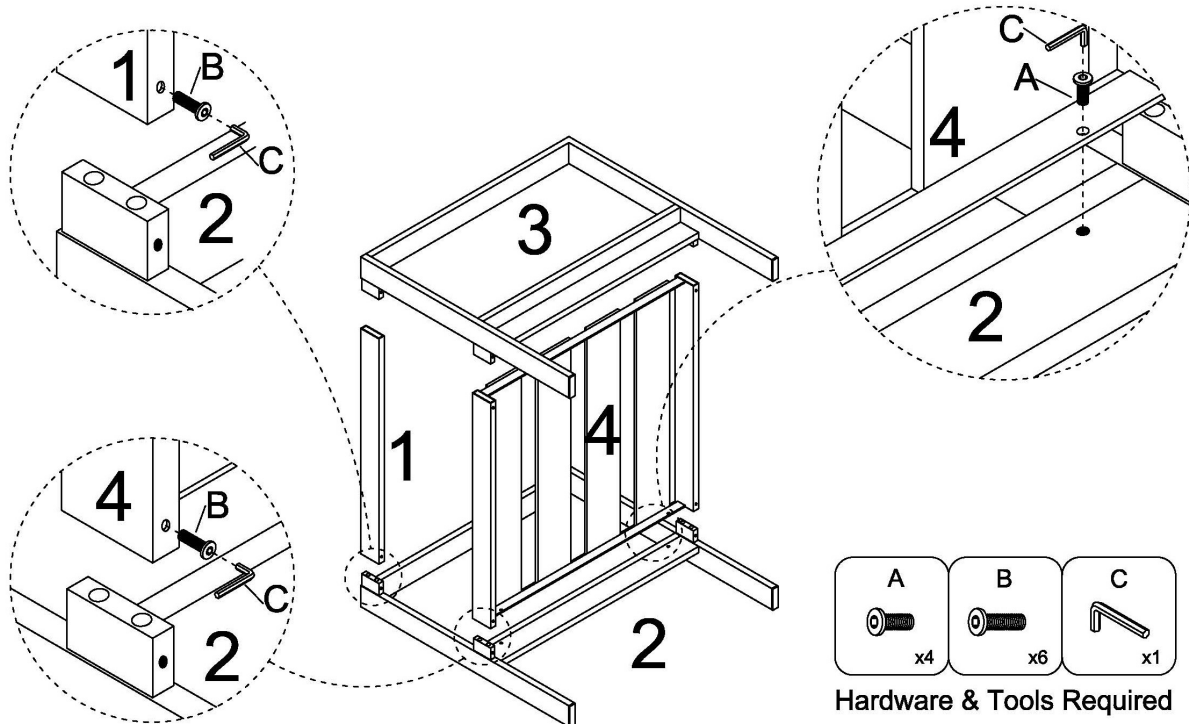
Insert 3 pieces of **Bolts (B)** from the pre-drilled holes on the bottom of the **Top Rail (1)** and **Seat Frame (4)** into each side on the bottom of **Left Leg (2)**.

Insert 2 pieces of **Bolts (A)** from the pre-drilled holes on the side rail of the **Seat Frame (4)** into each end of **Left Leg (2)** as shown.

Do not fully tighten **Bolts (A&B)** at this step.

Repeat the same steps for **Right Leg (3)**.

After checking the leveling for all connections, please use **Allen Wrench (C)** to tighten all **Bolts (A&B)** clockwise until secure.

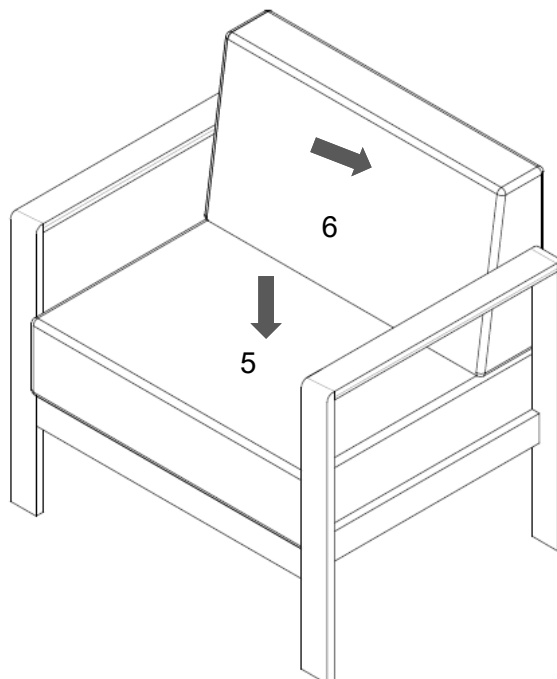


Hardware & Tools Required

STEP 2:

Carefully place the assembled chair at your desired location.

Put the **Seat Cushion (5)** and **Back Cushion (6)** to assembled loveseat frame as shown.

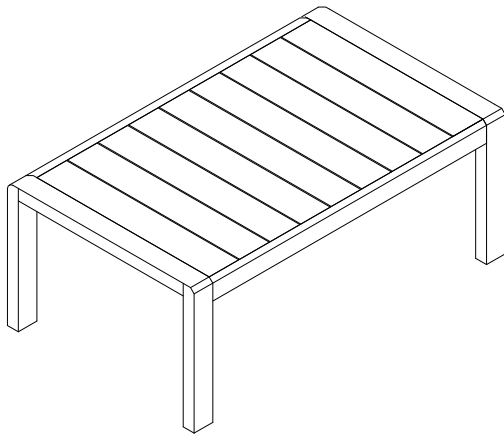


Assembly is completed. The chair is ready to enjoy now!

Thank you for purchasing the **MODWAY COFFEE TABLE**!

Before you start, here is some helpful advice:

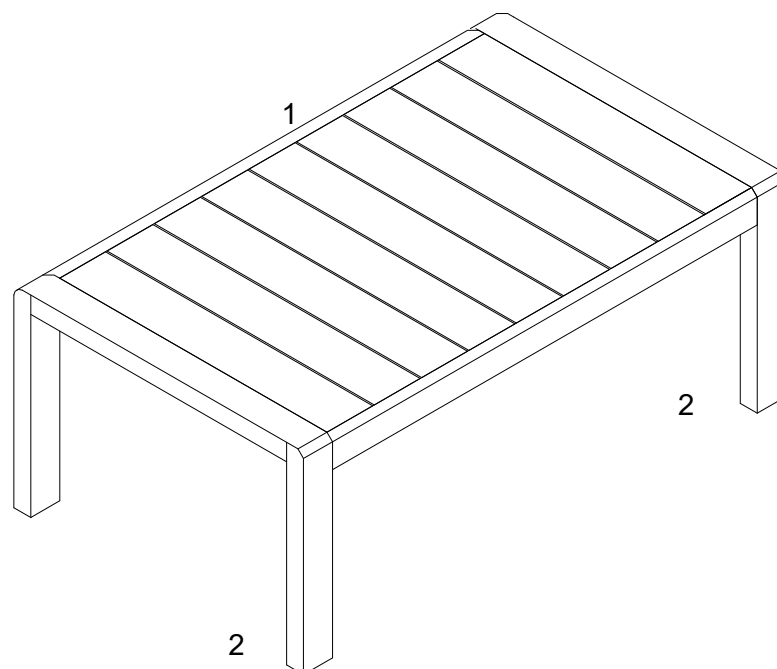
1. We suggest you spend a short time reading through this leaflet and then follow the simple step by step instructions.
2. Owing to the size and weight of the table, we recommend that it is assembled by two adults, on a carpeted or padded area, in the room that it is intended for. Approx assembly time: 30 minutes.
3. Please do not use any tools other than those provided or recommended in these instructions.
4. Please do not throw away any of the packaging or the instruction until you have checked all the components and hardware and the furniture is fully assembled. Please ensure that the packaging is disposed of in a safe environmentally friendly way.
5. Assemble all components loosely until advised to tighten. Depending on use, it may be necessary to tighten the components from time to time, so please save the tools that has been provided.
6. Please keep all fitting out of reach of children.



Hardware:

A		Bolt M6x20mm	x4
B		Bolt M6x25mm	x4
C		Allen Wrench M4	x1

Component:



1 Table Top x1

2 Leg x2

STEP 1:

Remove the plastic covers which pre-install in the end of the **Table Top (1)** by using **Allen Wrench (C)**.

Please put 1 piece of **Leg (2)** and **Table Top (1)** upside down on a carpeted or padded area as shown.

Insert **Table Top (1)** into the **Leg (2)** as shown.

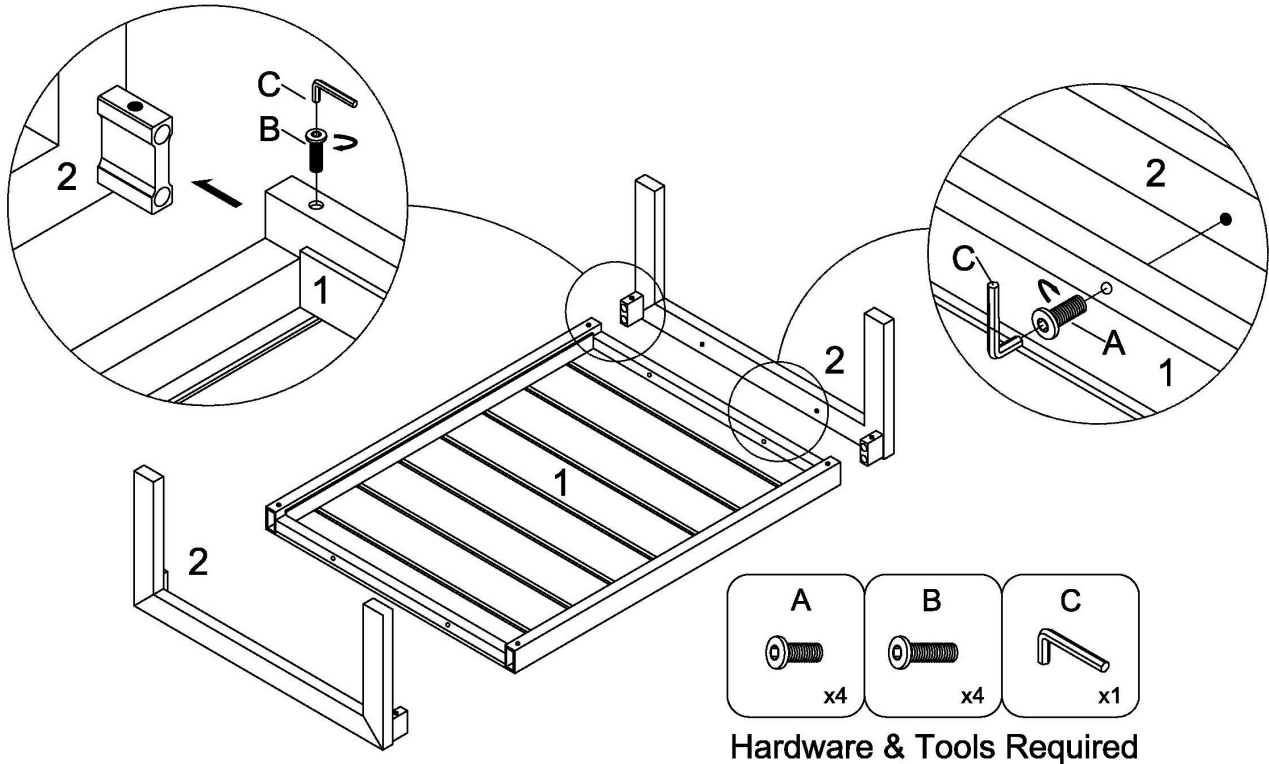
Insert 2 pieces of **Bolts (B)** from the pre-drilled holes on the bottom of the **Table Top (1)** into each side on the bottom of **Leg (2)**.

Insert 2 pieces of **Bolts (A)** from the pre-drilled holes on the side rail of the **Table Top (1)** into each end of **Leg (2)** as shown.

Do not fully tighten **Bolts (A&B)** at this step.

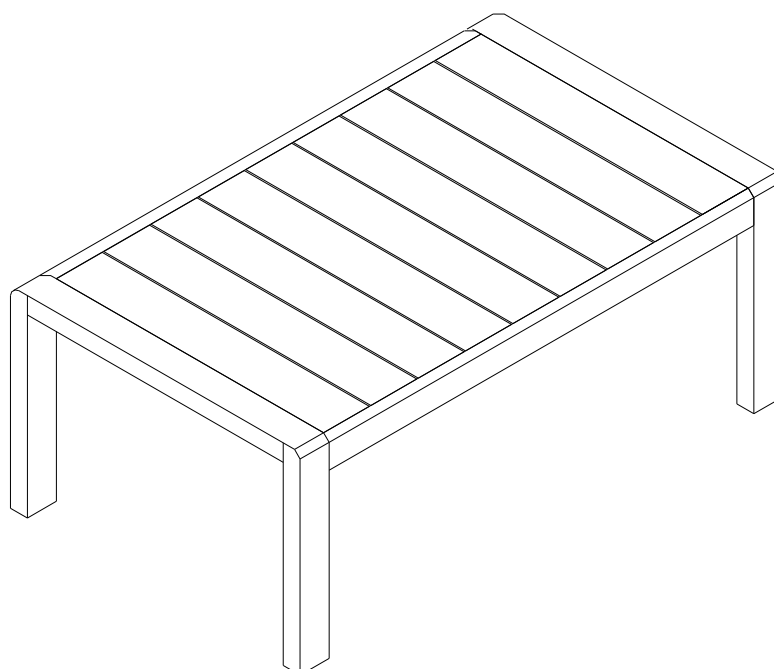
Repeat the same steps for the remaining 1 piece of **Leg (2)**.

After checking the leveling for all connections, please use **Allen Wrench (C)** to tighten all **Bolts (A&B)** clockwise until secure.



STEP 2:

Carefully position the table to your desired location.



Assembly is completed. The table is ready to enjoy now!