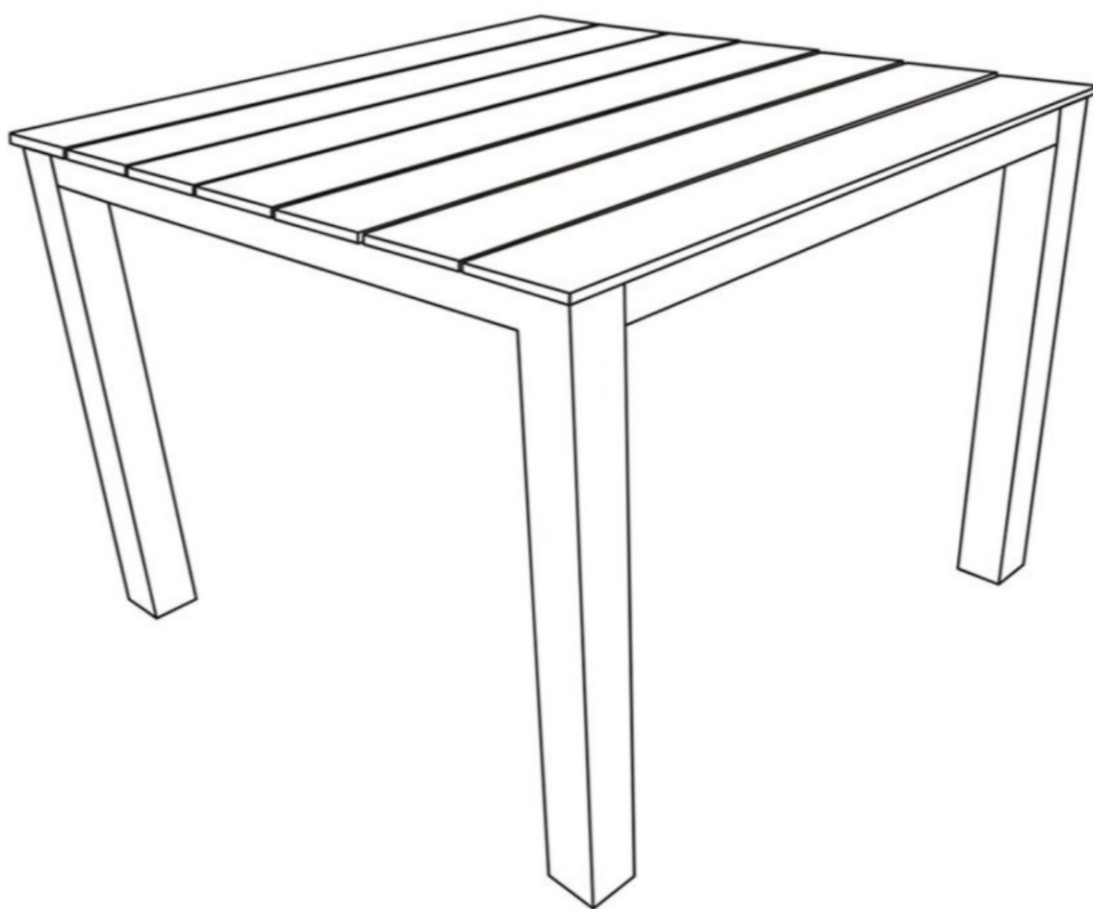


ASSEMBLY INSTRUCTIONS

EEI-1507

V1.08.05.21



Questions? Contact us!

609.256.9000 • cs@modway.com

www.modway.com

***modway**

Let's get started!

*modway



Read through all of the instructions before starting



Care instructions are listed in the last step of this manual



Approx. 30 minutes assembly time



Make sure you have all parts and components before discarding any packing materials



2 people recommended for assembly

Only use hand tools to assemble this item. Do not use power tools. Do not tighten bolts or screws completely until all hardware is lined up and inserted into the holes.

Do not over-tighten screws and bolts to avoid stripping the hardware or cracking the item.

Assemble your item on a flat, carpeted area, with plenty of space to work. This will prevent damage and scratches to your floors or the item while you're assembling the product.

Keep all components and packaging out of reach of children or animals to avoid risk of choking or suffocation.

Furniture components:

A Table Top x1

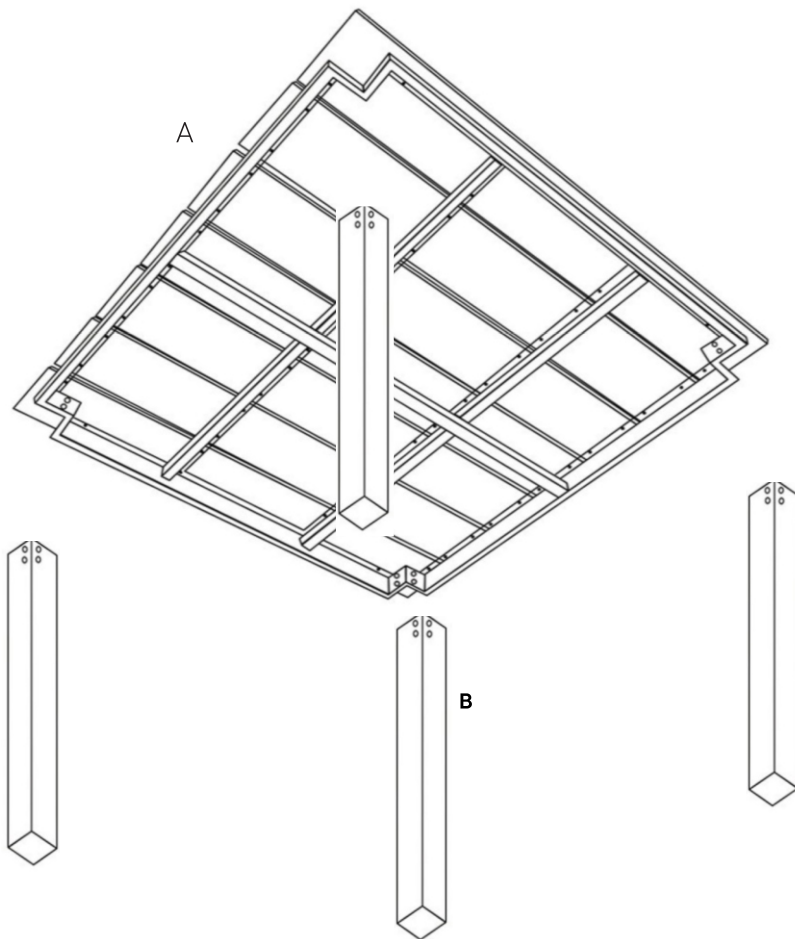
B Table Leg x4

Provided hardware:

C  Bolt M6 x 18mm x16

D  Allen Key x1

E  Sand Paper (For brown plastic wood clean use only) x1



Wait!

Missing parts or hardware? Need assistance?
Contact us before returning your item. We're here to help!
609.256.9000 • cs@modway.com

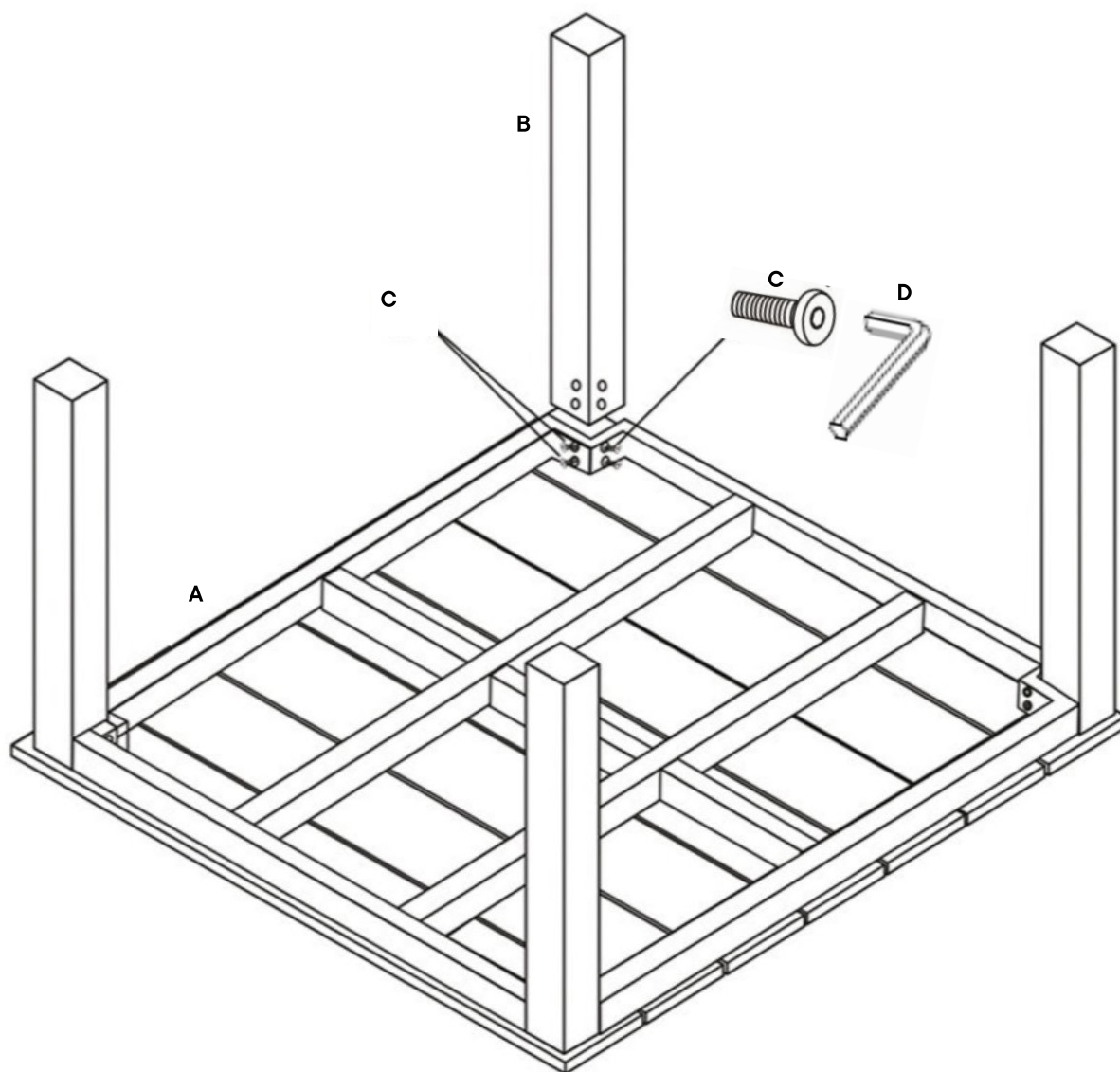
Step 1

HARDWARE

- C** Bolt M6 x 18mm x16
- D** Allen Key x1

COMPONENTS

- A** Table Top x1
- B** Table Leg x4



Great job!

Table assembly is complete .



CARING FOR YOUR ITEM

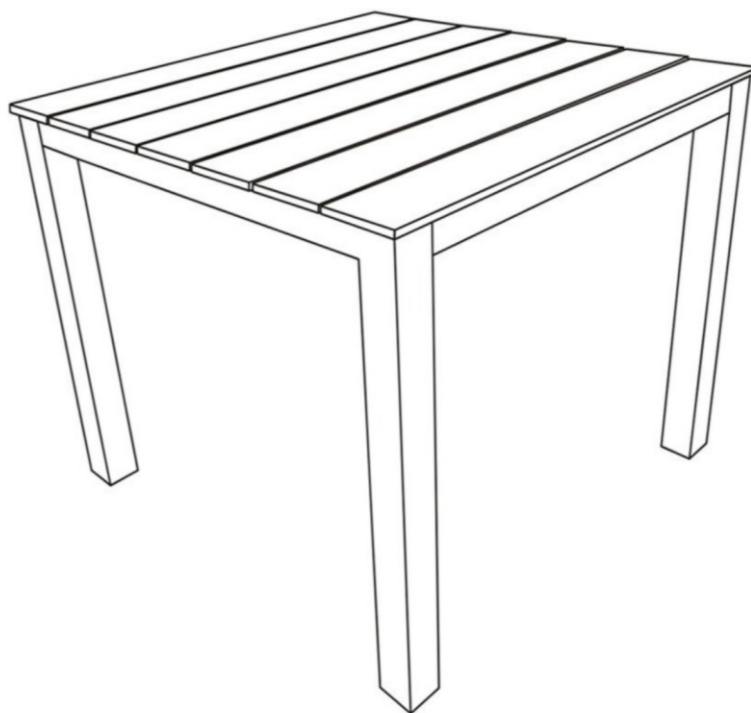
Easy to clean with damp cloth

Use mild soap to wipe off the dust on the table top and frame.

When using a table-barbecue, charcoal sparks can cause melting dots locally, so be careful. Do not leave hot barbecue tongs and skewers on the tabletop for the same reason.

CONNECT WITH US!   

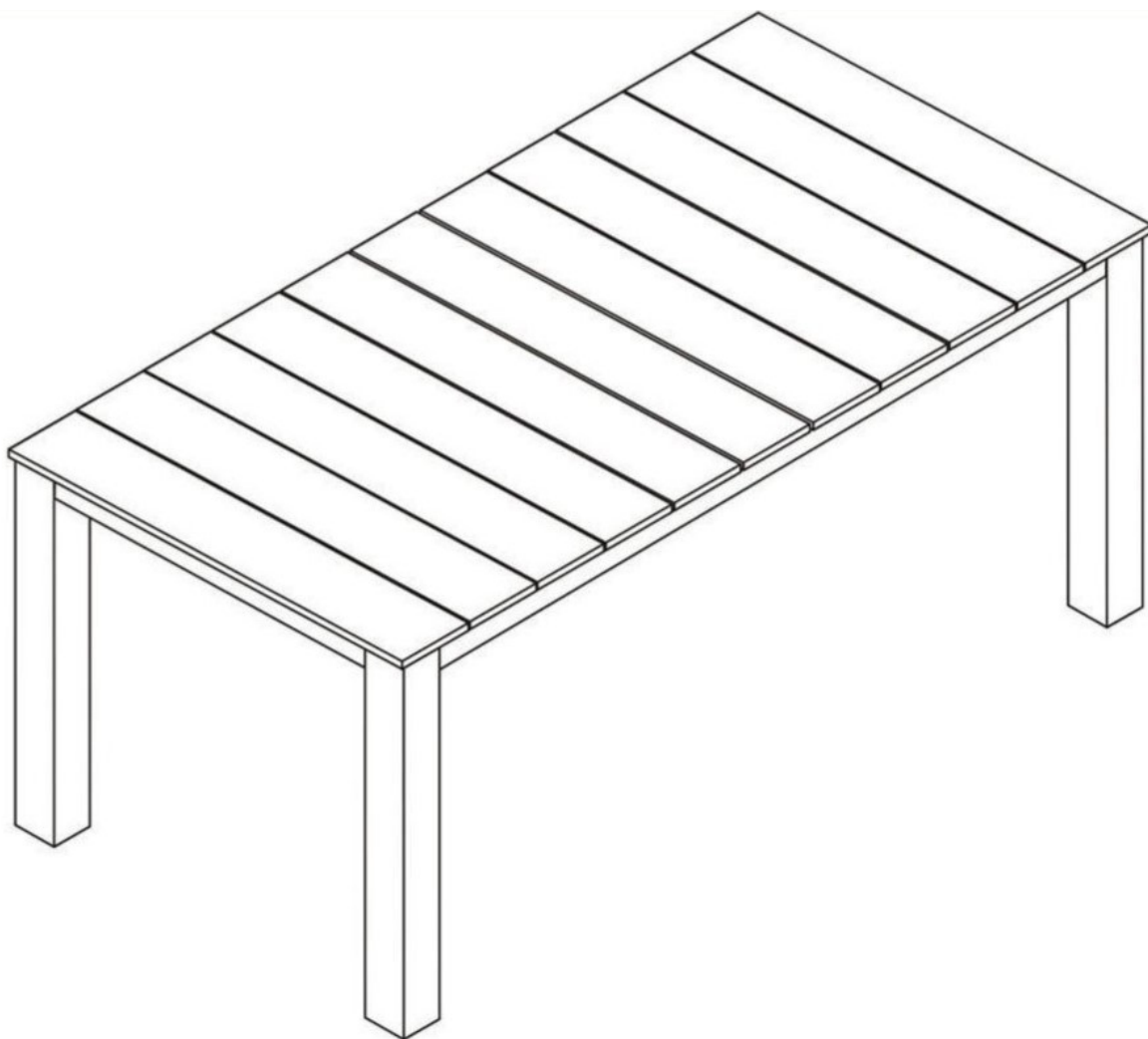
Tag us [@modway_furniture](#) and [#modway](#) for a chance to be featured.



ASSEMBLY INSTRUCTIONS

EEI-1508

V1.08.05.21



Questions? Contact us!

609.256.9000 • cs@modway.com

www.modway.com

***modway**

Let's get started!

*modway



Read through all of the instructions before starting



Care instructions are listed in the last step of this manual



Approx. 30 minutes assembly time



Make sure you have all parts and components before discarding any packing materials



2 people recommended for assembly

Only use hand tools to assemble this item. Do not use power tools. Do not tighten bolts or screws completely until all hardware is lined up and inserted into the holes.

Do not over-tighten screws and bolts to avoid stripping the hardware or cracking the item.

Assemble your item on a flat, carpeted area, with plenty of space to work. This will prevent damage and scratches to your floors or the item while you're assembling the product.

Keep all components and packaging out of reach of children or animals to avoid risk of choking or suffocation.

Furniture components:

A Table Top x1

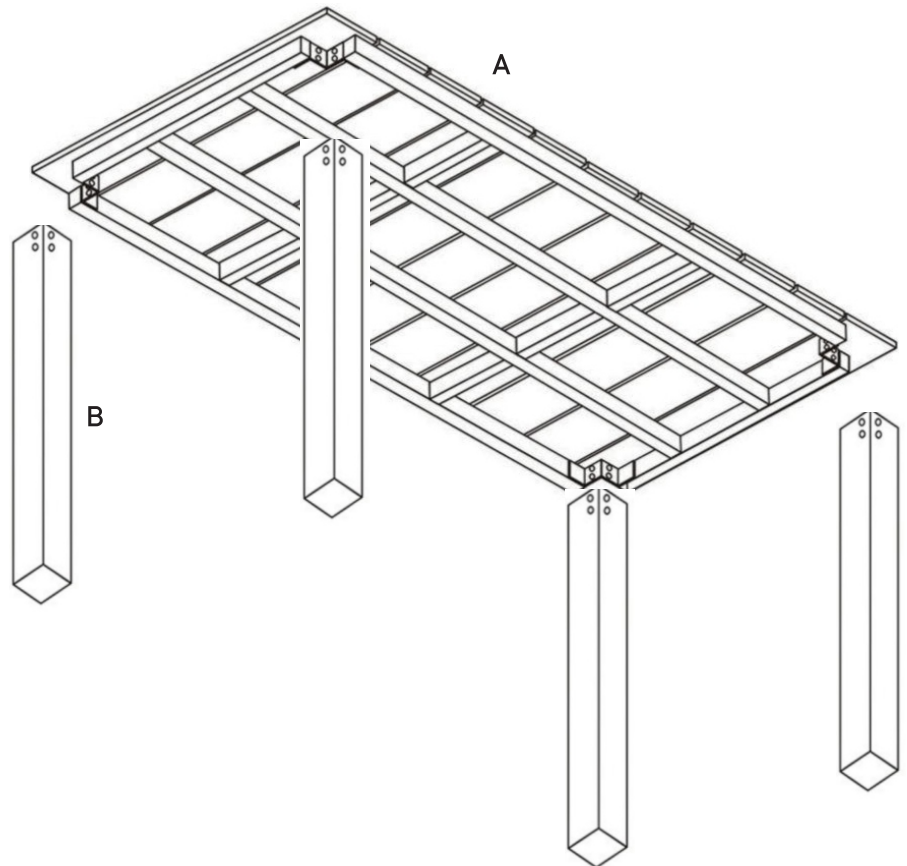
B Table Leg x4

Provided hardware:

C  Bolt M6 x 18mm x16

D  Allen Key x1

E  Sand Paper (For brown plastic wood clean use only) x1



Wait!

Missing parts or hardware? Need assistance?
Contact us before returning your item. We're here to help!
609.256.9000 • cs@modway.com

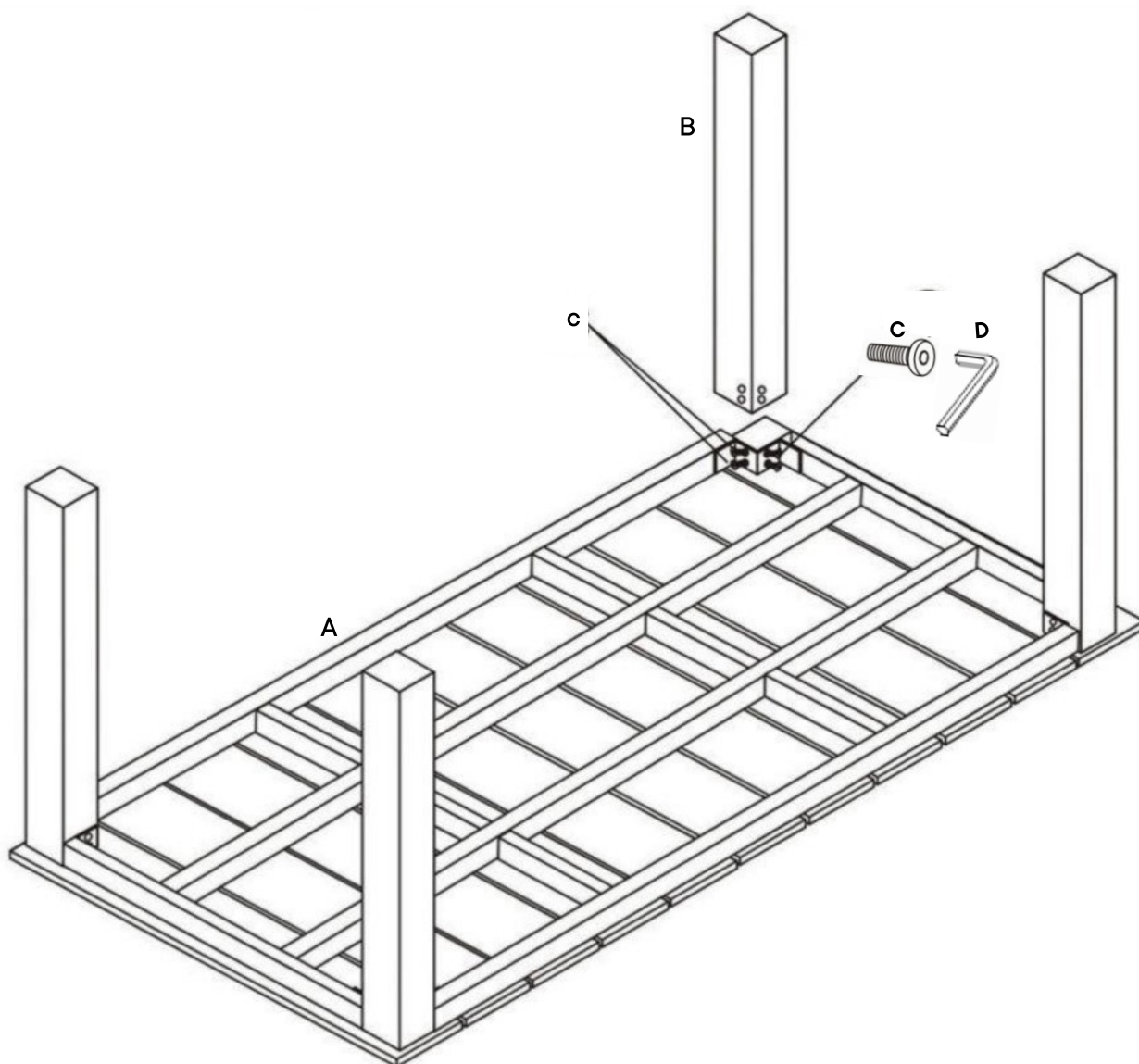
Step 1

HARDWARE

- C** Bolt M6 X 18mm x16
- D** Allen Key x1

COMPONENTS

- A** Table Top x1
- B** Table Leg x4



Great job!

Table assembly is complete .



CARING FOR YOUR ITEM

Easy to clean with damp cloth

Use mild soap to wipe off the dust on the table top and frame.

When using a table-barbecue, charcoal sparks can cause melting dots locally, so be careful. Do not leave hot barbecue tongs and skewers on the tabletop for the same reason.

CONNECT WITH US!   

Tag us @modway_furniture and #modway for a chance to be featured.

