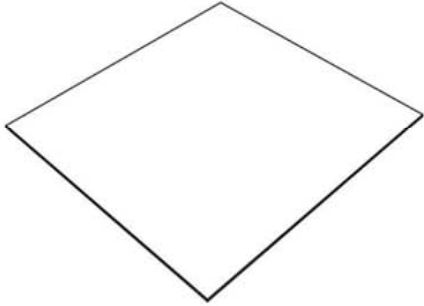


ASSEMBLY INSTRUCTION

SKU:EEI-1515-BRN-TABLE,EEI-1515-WHI-TABLE

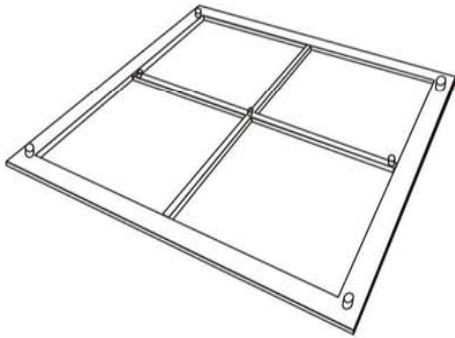
A*1



B*2



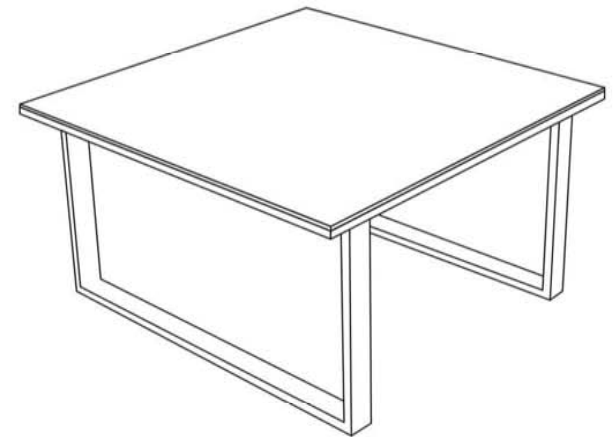
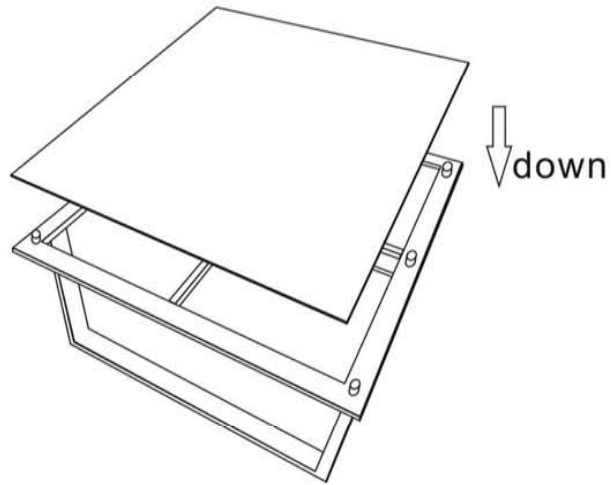
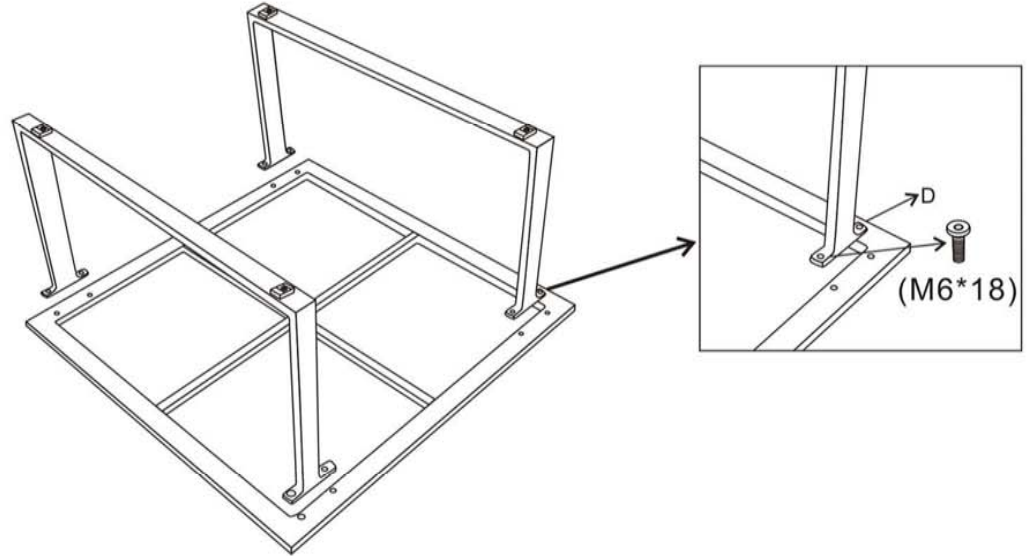
C*1



D*8(M6*18)



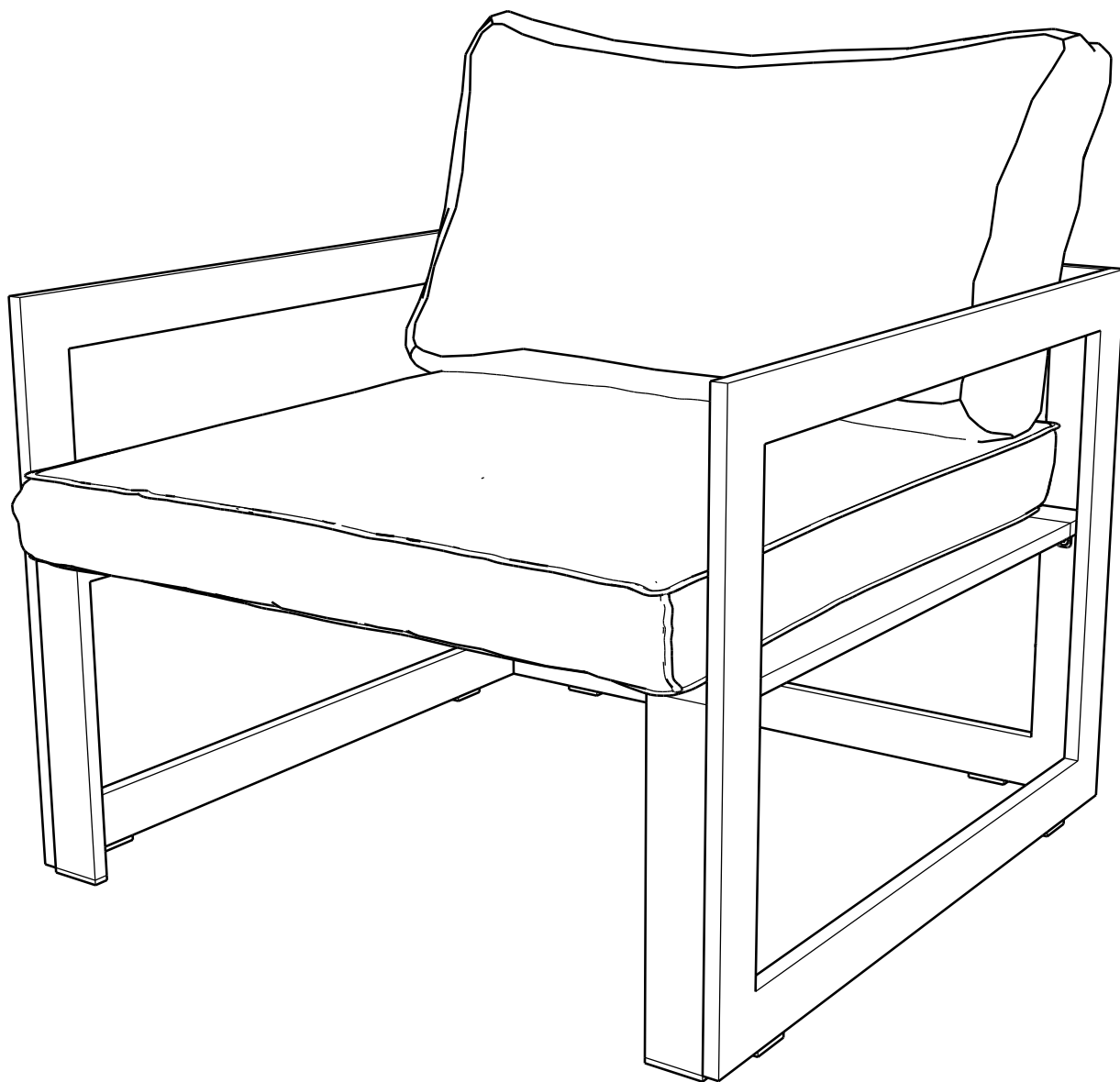
E*1



ASSEMBLY INSTRUCTIONS

EEI-1517

V1.09.3.21



Questions? Contact us!

609.256.9000 • cs@modway.com

www.modway.com

***modway**



Read through all of the instructions before starting



Care instructions are listed in the last step of this manual



Approx. 30 minutes assembly time



Make sure you have all parts and components before discarding any packing materials



2 people recommended for assembly

Only use hand tools to assemble this item. Do not use power tools. Do not tighten bolts or screws completely until all hardware is lined up and inserted into the holes.

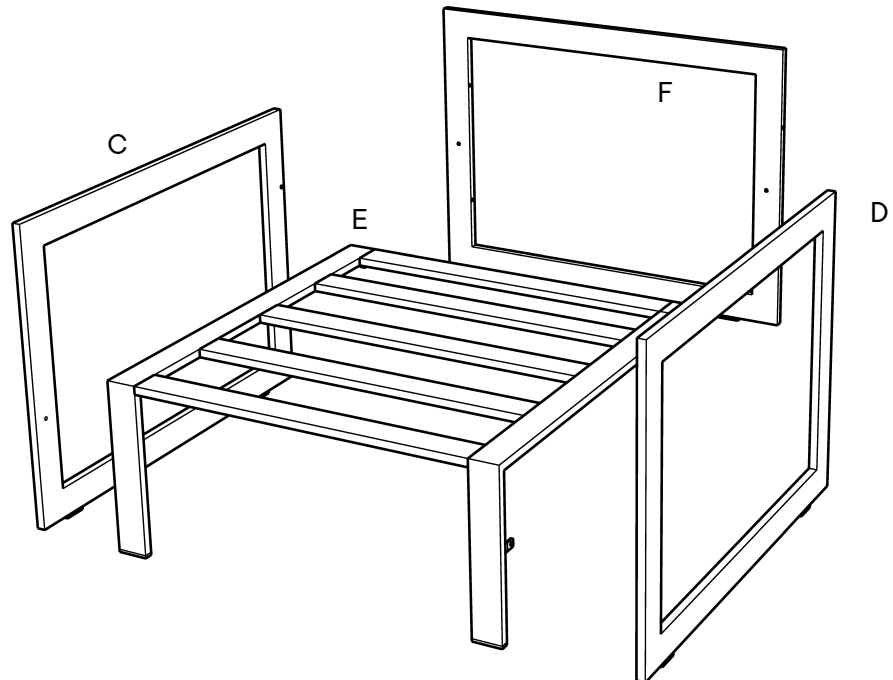
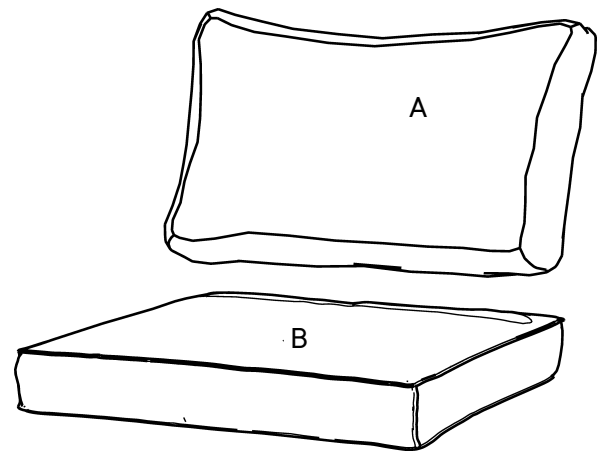
Do not over-tighten screws and bolts to avoid stripping the hardware or cracking the item.

Assemble your item on a flat area, with plenty of space to work. This will prevent damage and scratches to your floors or the item while you're assembling the product.

Keep all components and packaging out of reach of children or animals to avoid risk of choking or suffocation.

Furniture components:

A	Backrest Cushion	x1
B	Seat Cushion	x1
C	Armrest L	x1
D	Armrest R	x1
E	Seat Base	x1
F	Backrest Frame	x1



Provided hardware:

G		Bolt M6 x 65mm	x4
H		Bolt M6 x 15mm	x4
I		Bolt Cap 4 x 16mm	x8
J		Allen Key	x1

Wait!

Missing parts or hardware? Need assistance?
Contact us before returning your item. We're here to help!
609.256.9000 • cs@modway.com

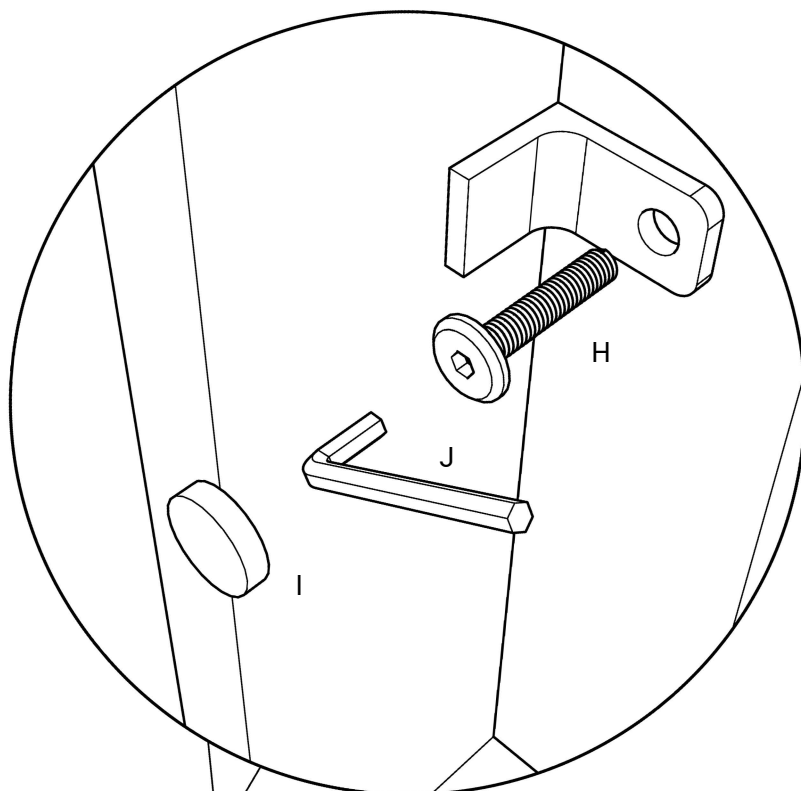
Step 1

HARDWARE

H	Bolt M6 x 15mm	x2
I	Bolt Cap 4 x 16mm	x2
J	Allen Key	x1

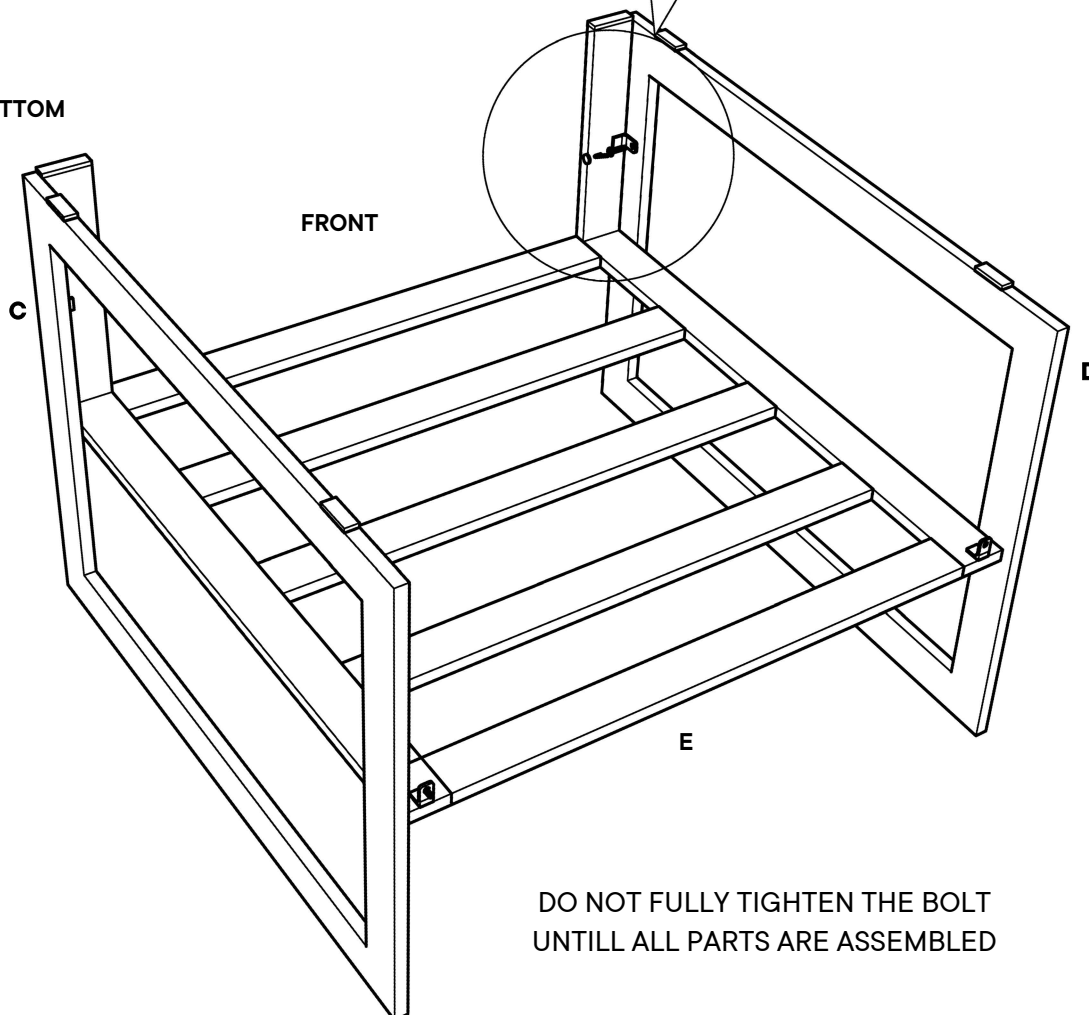
COMPONENTS

C	Armrest L	x1
D	Armrest R	x1
E	Seat Base	x1



BOTTOM

FRONT



DO NOT FULLY TIGHTEN THE BOLT UNTILL ALL PARTS ARE ASSEMBLED

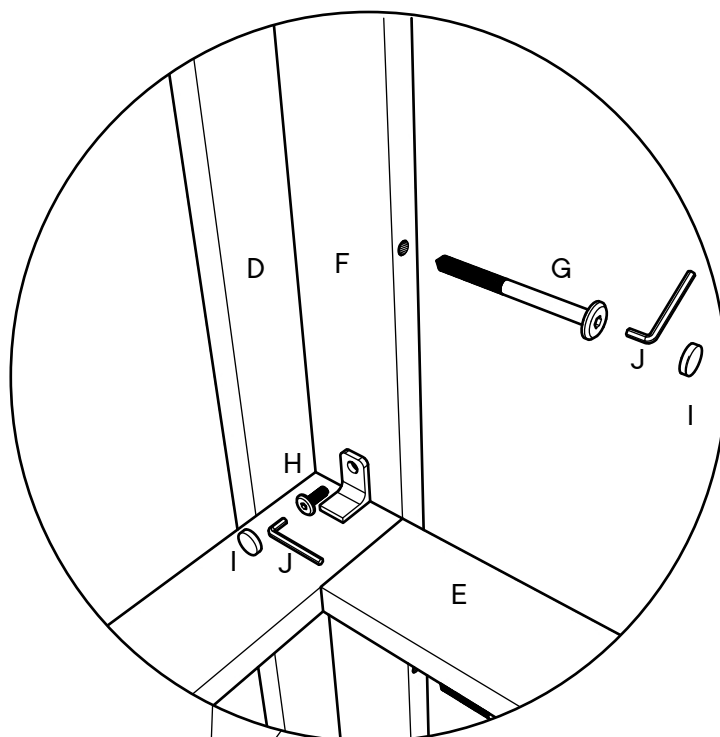
Step 2

HARDWARE

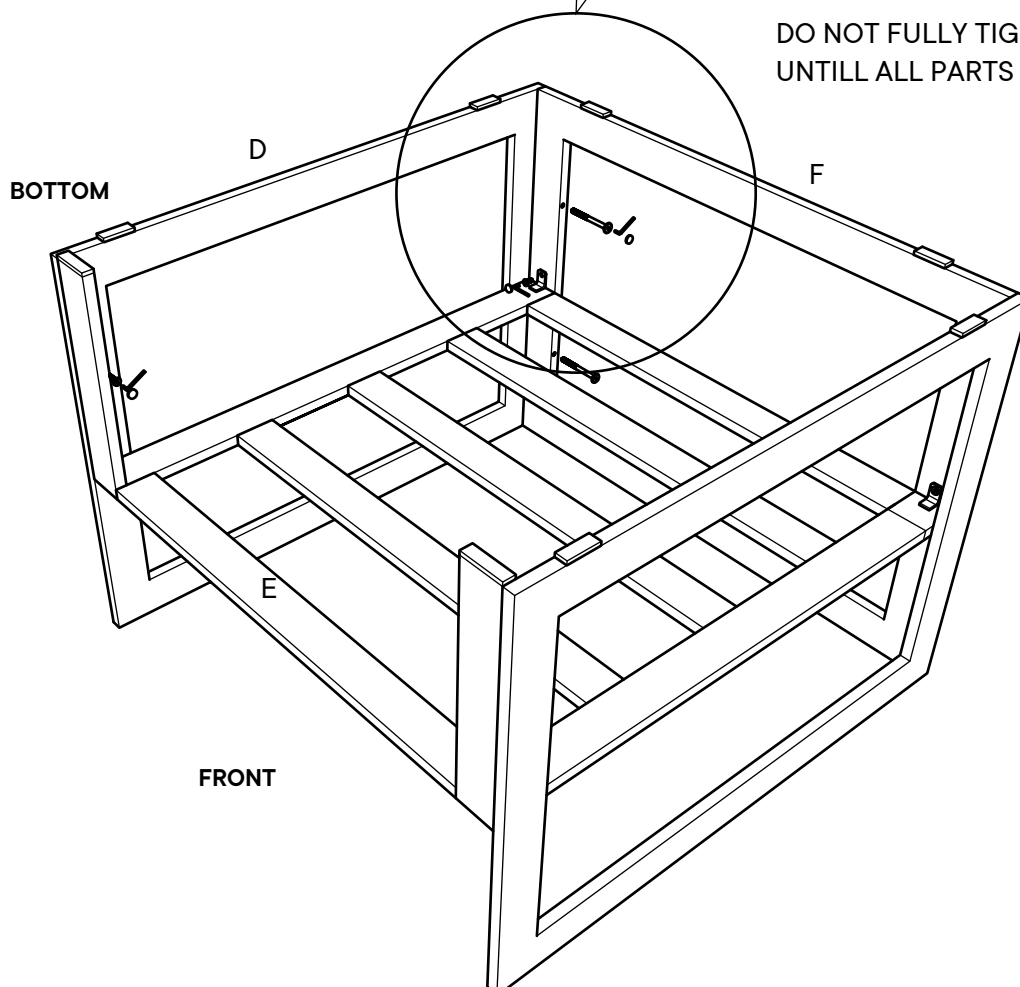
G	Bolt M6 x 65mm	x4
H	Bolt M6 x 15mm	x4
I	Bolt Cap 4 x 16mm	x8
J	Allen Key	x1

COMPONENTS

C	Armrest L	x1
D	Armrest R	x1
E	Seat Base	x1
F	Backrest	x1



DO NOT FULLY TIGHTEN THE BOLT UNTILL ALL PARTS ARE ASSEMBLED

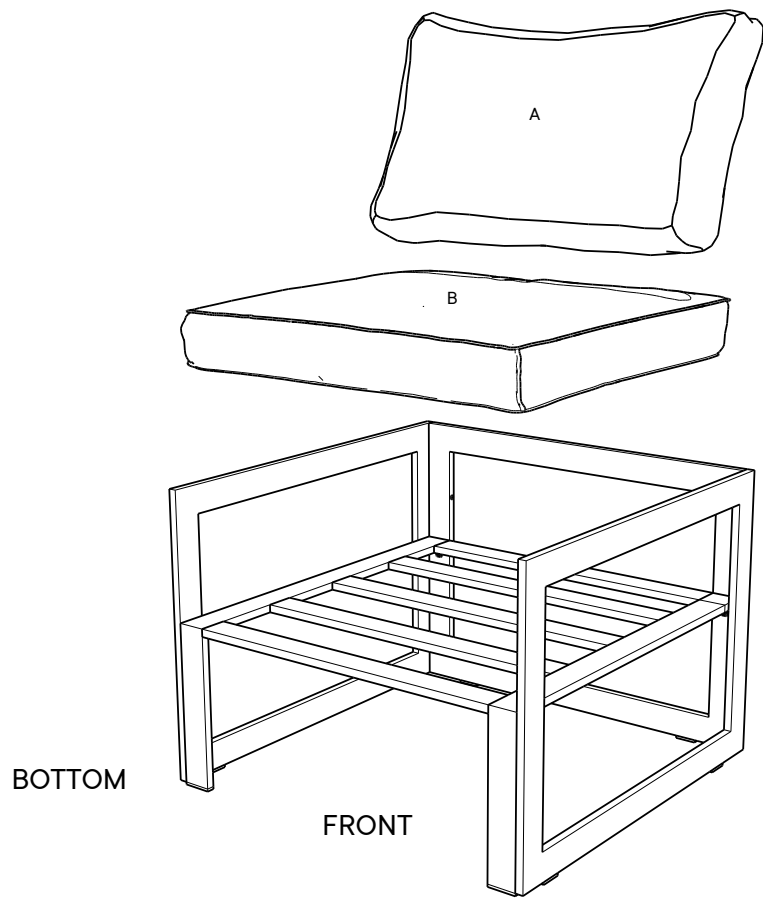


TIGHTEN ALL OF THE BOLTS COMPLETELY AT LAST, DO NOT OVER TIGHTEN.

Step 3

COMPONENTS

- A** Backrest Cushion x1
- B** Seat Cushion x1



Great job!

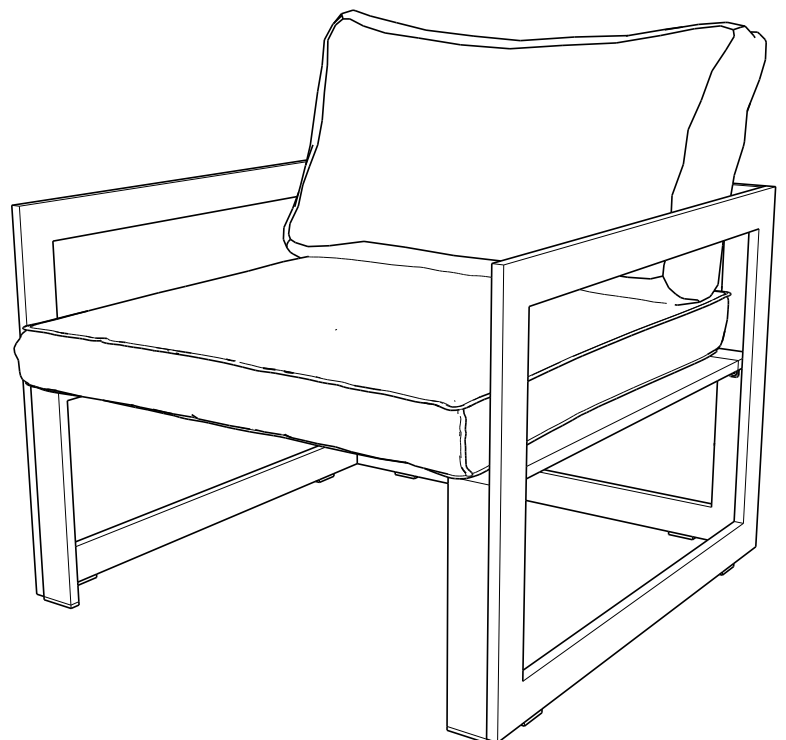
Chair assembly is complete.



CARING FOR YOUR ITEM

Easy to clean with damp cloth

Use mild soap to wipe off the dust on the chair frame.



CONNECT WITH US!   

Tag us @modway_furniture and #modway for a chance to be featured.

ASSEMBLY INSTRUCTIONS

EEI-1518

V1.09.3.21



Questions? Contact us!

609.256.9000 • cs@modway.com

www.modway.com

***modway**

Let's get started!

*modway



Read through all of the instructions before starting



Care instructions are listed in the last step of this manual



Approx. 30 minutes assembly time



Make sure you have all parts and components before discarding any packing materials



2 people recommended for assembly

Only use hand tools to assemble this item. Do not use power tools. Do not tighten bolts or screws completely until all hardware is lined up and inserted into the holes.

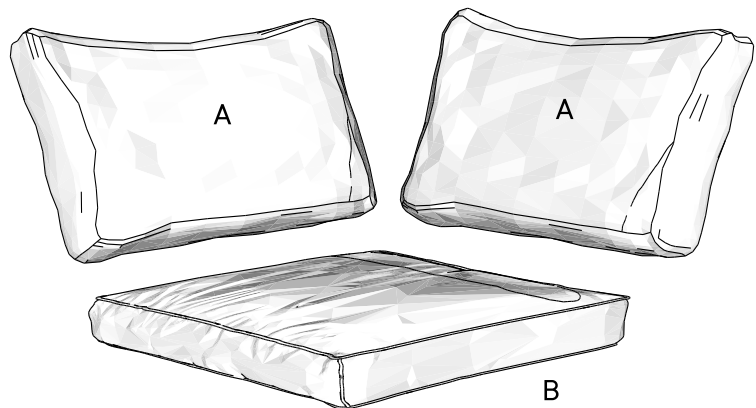
Do not over-tighten screws and bolts to avoid stripping the hardware or cracking the item.

Assemble your item on a flat, carpeted area, with plenty of space to work. This will prevent damage and scratches to your floors or the item while you're assembling the product.

Keep all components and packaging out of reach of children or animals to avoid risk of choking or suffocation.

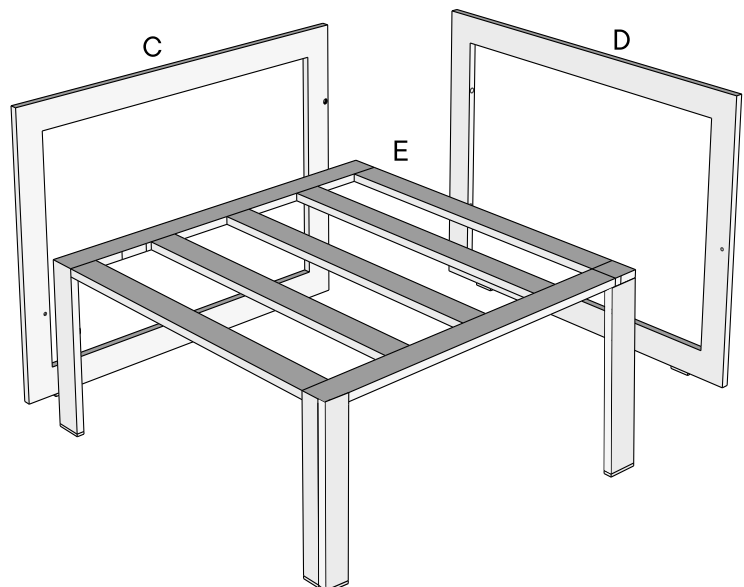
Furniture components:

A	Backrest Cushion	x2
B	Seat Cushion	x1
C	Armrest L	x1
D	Back	x1
E	Seat Base	x1



Provided hardware:

G		Bolt M6 x 65mm	x2
H		Bolt M6 x 15mm	x3
I		Bolt Cap 4 x 16mm	x5
J		Allen Key	x1



Wait!

Missing parts or hardware? Need assistance?
Contact us before returning your item. We're here to help!
609.256.9000 • cs@modway.com

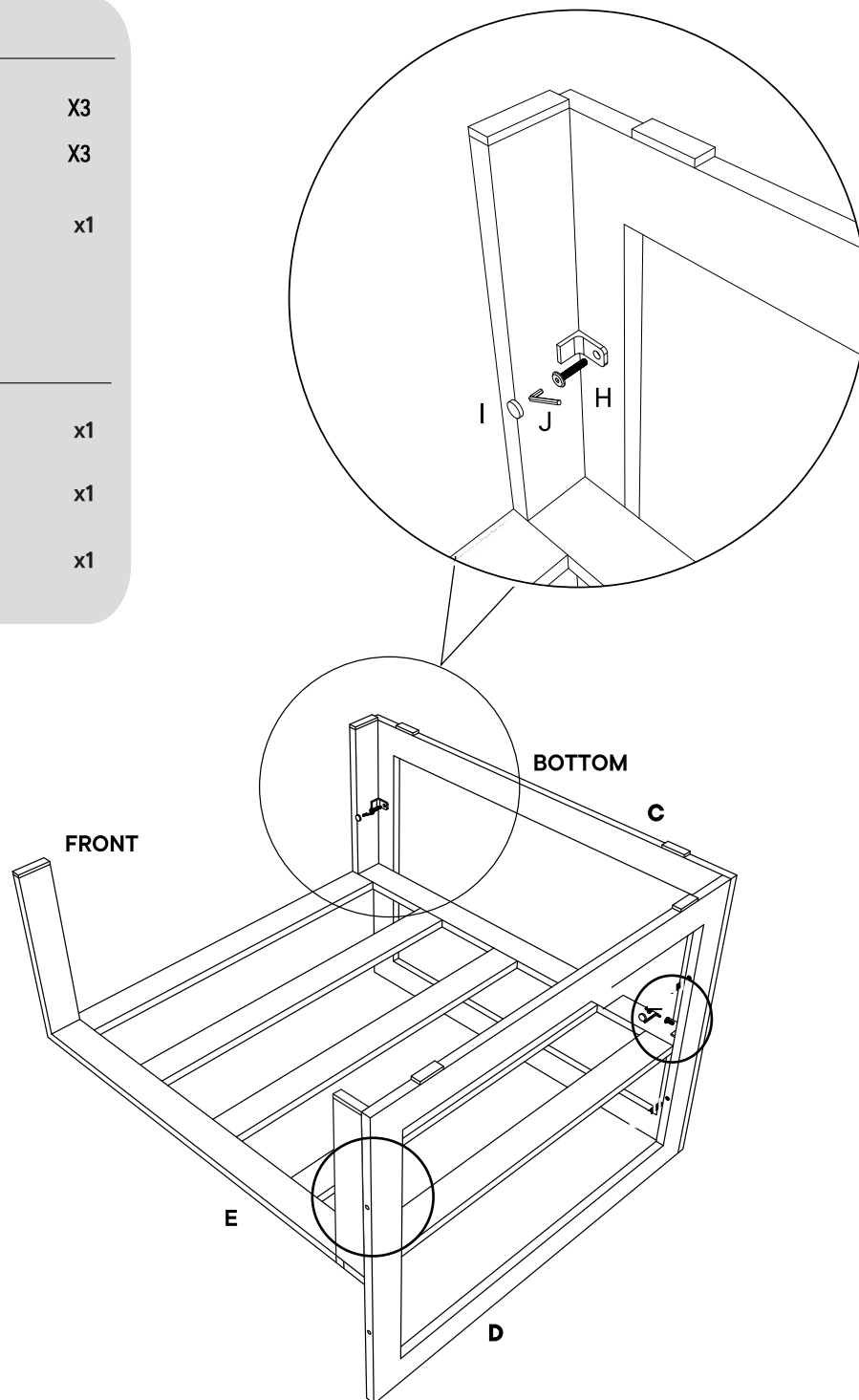
Step 1

HARDWARE

H	Bolt M6 x 15mm	X3
I	Bolt Cap 4 x 16mm	X3
J	Allen Key	x1

COMPONENTS

C	Armrest L	x1
D	Back	x1
E	Seat Base	x1



DO NOT FULLY TIGHTEN THE BOLT UNTILL ALL PARTS ARE ASSEMBLED

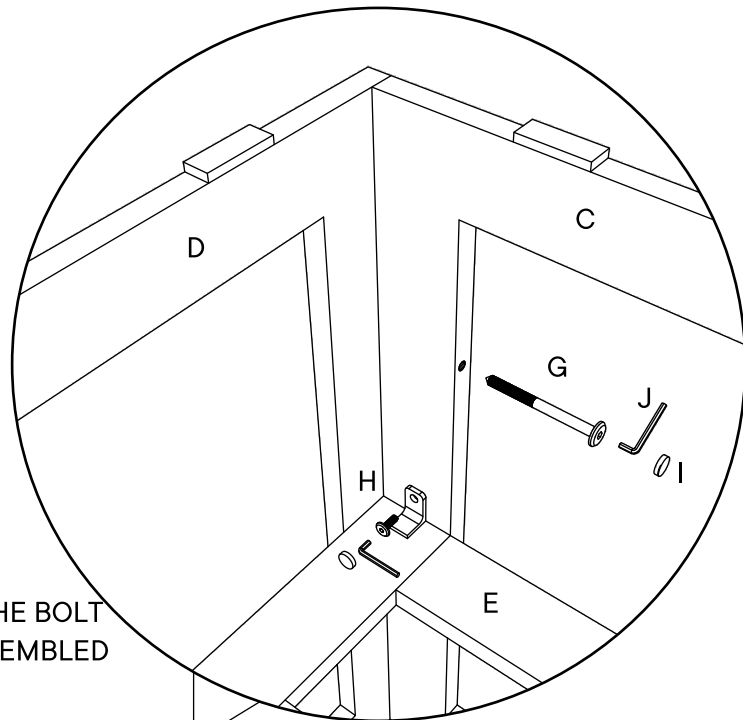
Step 2

HARDWARE

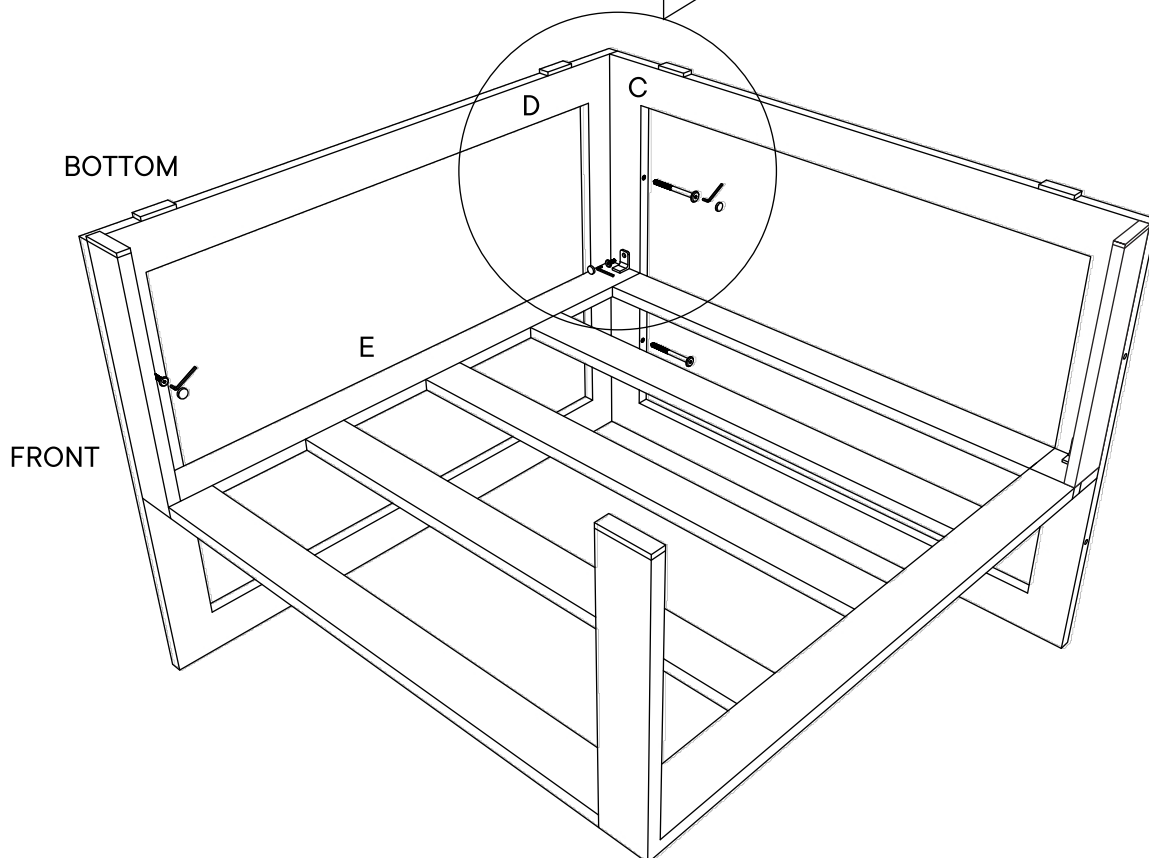
G	Bolt M6 x 65mm	x2
H	Bolt M6 x 15mm	x3
I	Bolt Cap 4 x 16mm	x5
J	Allen Key	x1

COMPONENTS

C	Armrest L	x1
D	Back	x1
E	Seat Base	x1



DO NOT FULLY TIGHTEN THE BOLT UNTILL ALL PARTS ARE ASSEMBLED

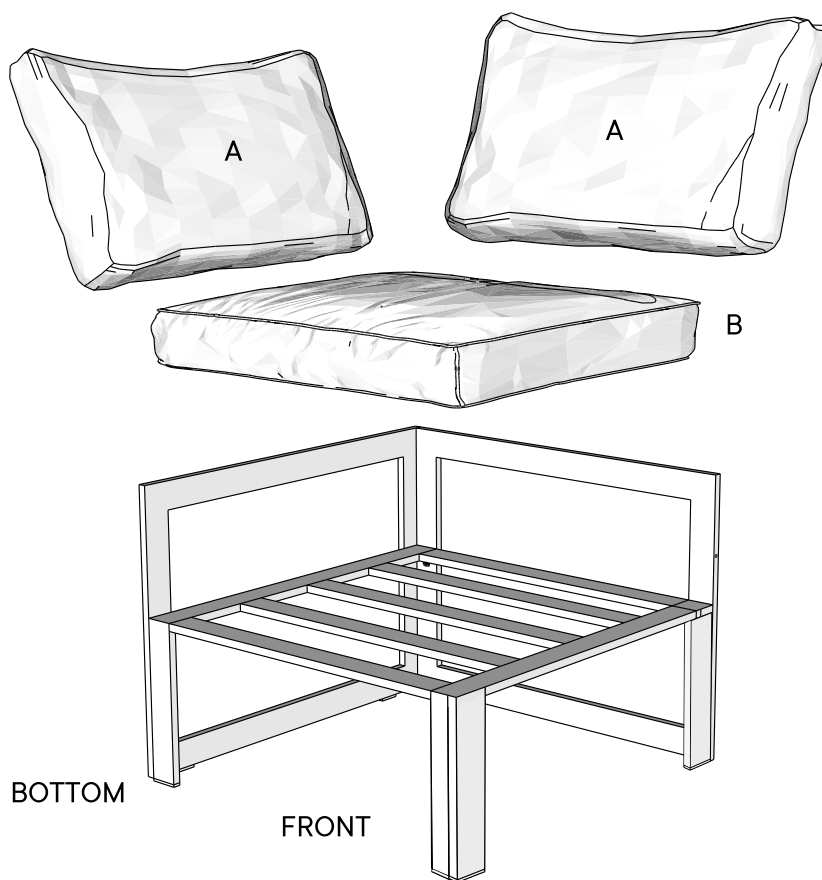


TIGHTEN ALL OF THE BOLTS COMPLETELY AT LAST, DO NOT OVER TIGHTEN.

Step 3

COMPONENTS

- A** Backrest Cushion x2
- B** Seat Cushion x1



Great job!

Corner Chair assembly is complete.

♥ CARING FOR YOUR ITEM

Easy to clean with damp cloth

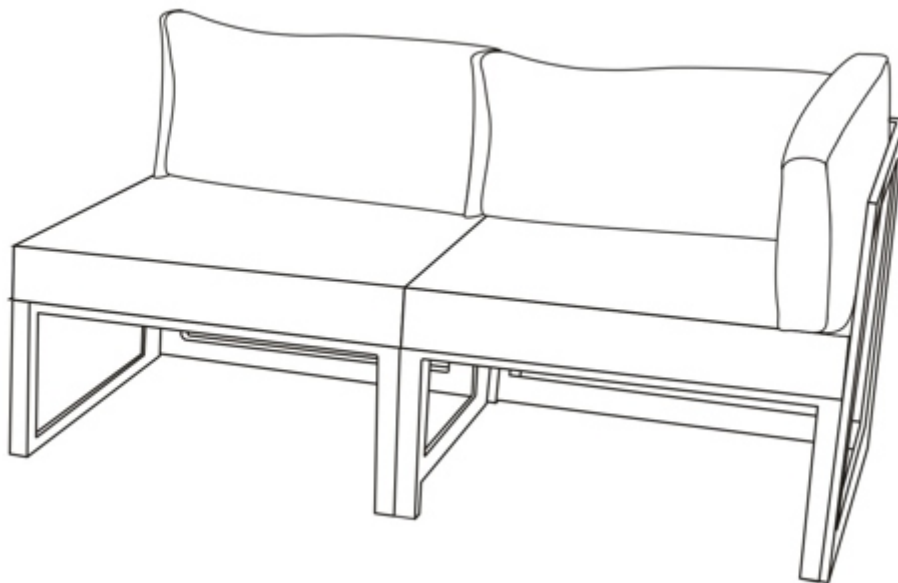
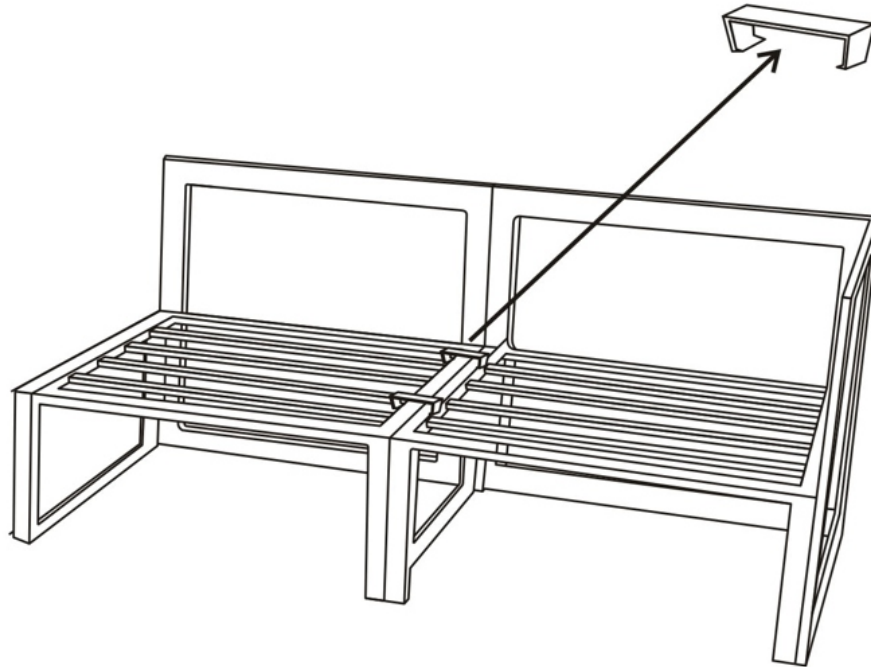
Use mild soap to wipe off the dust on the chair frame.



CONNECT WITH US!   

Tag us @modway_furniture and #modway for a chance to be featured.

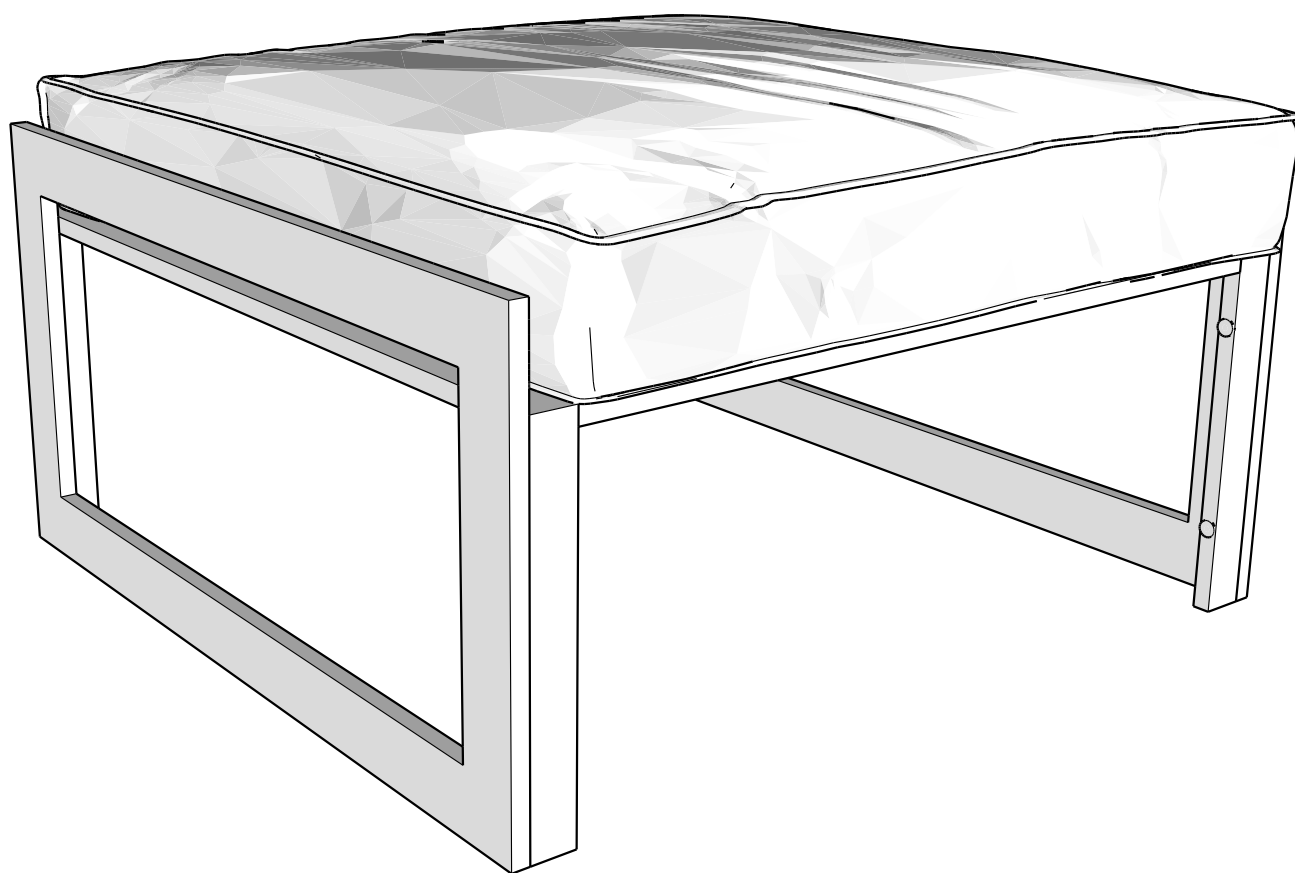
Optional: Buckles Instruction Corner Chair with Armless Chair



ASSEMBLY INSTRUCTIONS

EEI-1521

V1.09.4.21



Questions? Contact us!

609.256.9000 • cs@modway.com

www.modway.com

*modway



Read through all of the instructions before starting



Care instructions are listed in the last step of this manual



Approx. 30 minutes assembly time



Make sure you have all parts and components before discarding any packing materials



2 people recommended for assembly

Only use hand tools to assemble this item. Do not use power tools. Do not tighten bolts or screws completely until all hardware is lined up and inserted into the holes.

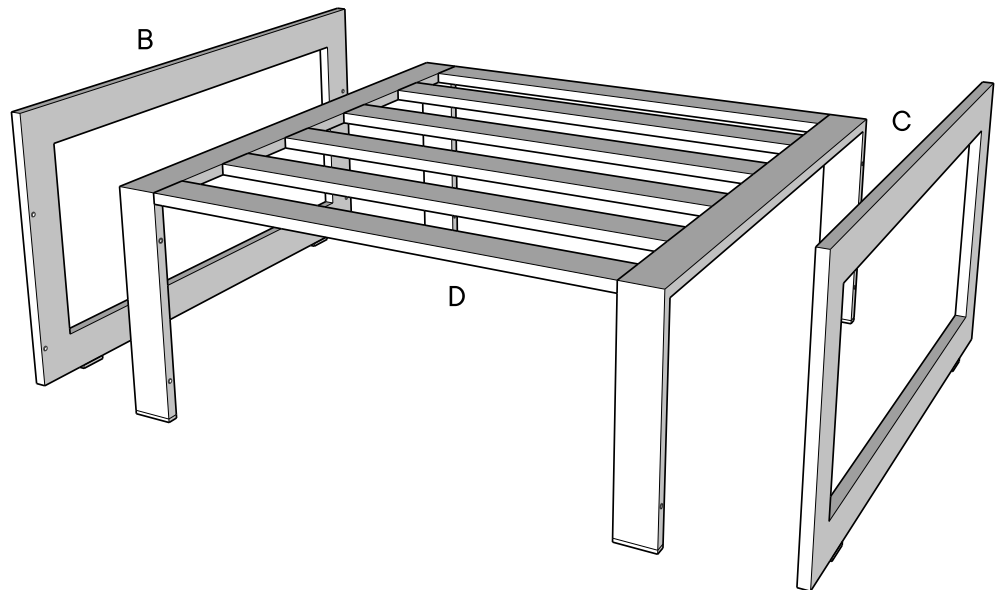
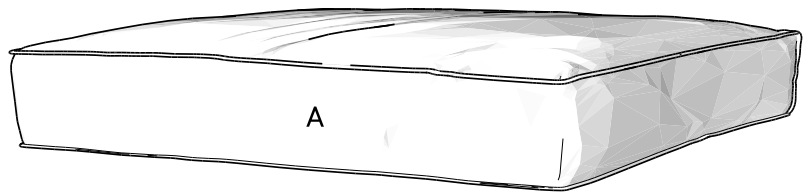
Do not over-tighten screws and bolts to avoid stripping the hardware or cracking the item.

Assemble your item on a flat area, with plenty of space to work. This will prevent damage and scratches to your floors or the item while you're assembling the product.




Keep all components and packaging out of reach of children or animals to avoid risk of choking or suffocation.

Furniture components:

A	Seat Cushion	x1
B	Left Frame - L	x1
C	Right Frame - R	x1
D	Seat Base	x1



Provided hardware:

E		Bolt M6 x 50mm	x8
F		Bolt Cap 4 x 16mm	x8
G		Allen Key	x1

Wait!

Missing parts or hardware? Need assistance?
Contact us before returning your item. We're here to help!
609.256.9000 • cs@modway.com

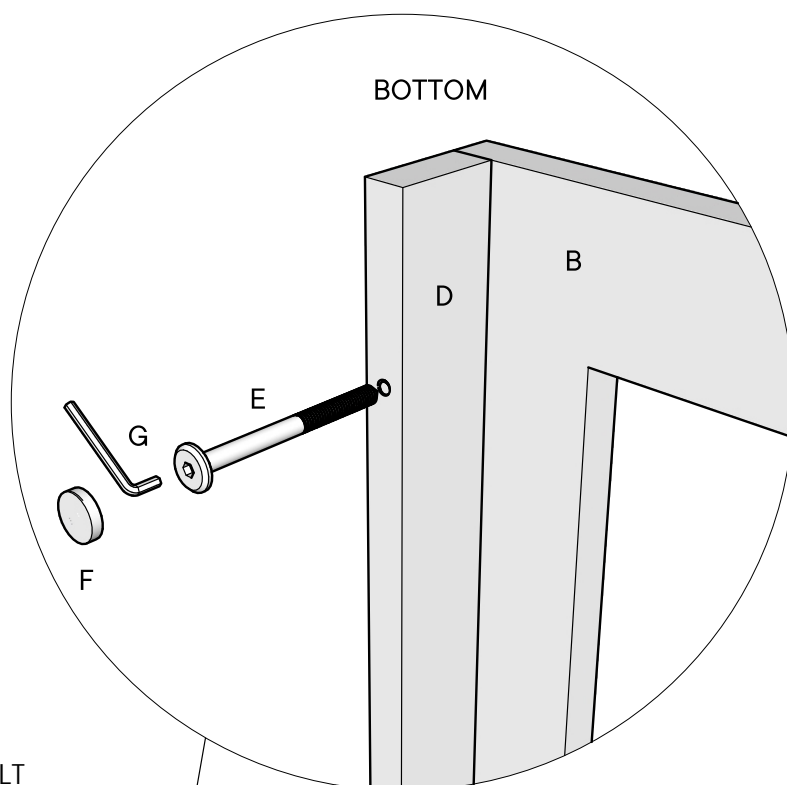
Step 1

HARDWARE

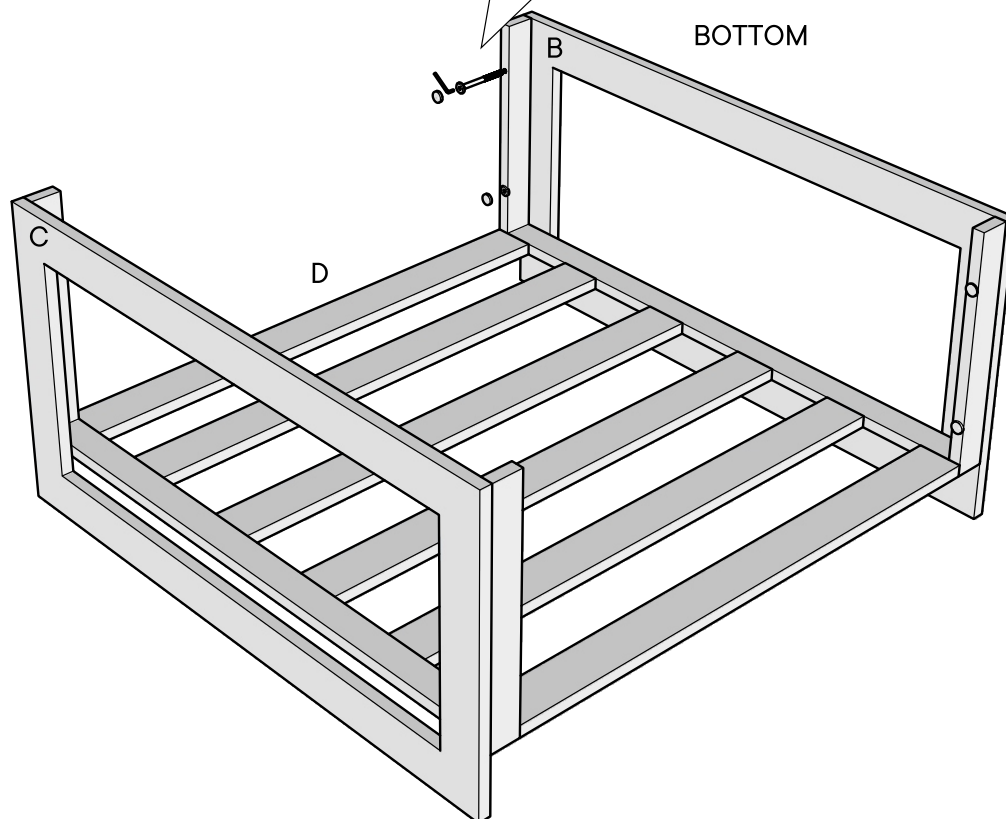
E	Bolt M6 x 50mm	x8
F	Bolt Cap 4 x 16mm	x8
G	Allen Key	x1

COMPONENTS

B	Left Frame - L	x1
C	Right Frame - R	x1
D	Seat Base	x1



DO NOT FULLY TIGHTEN THE BOLT UNTILL ALL PARTS ARE ASSEMBLED

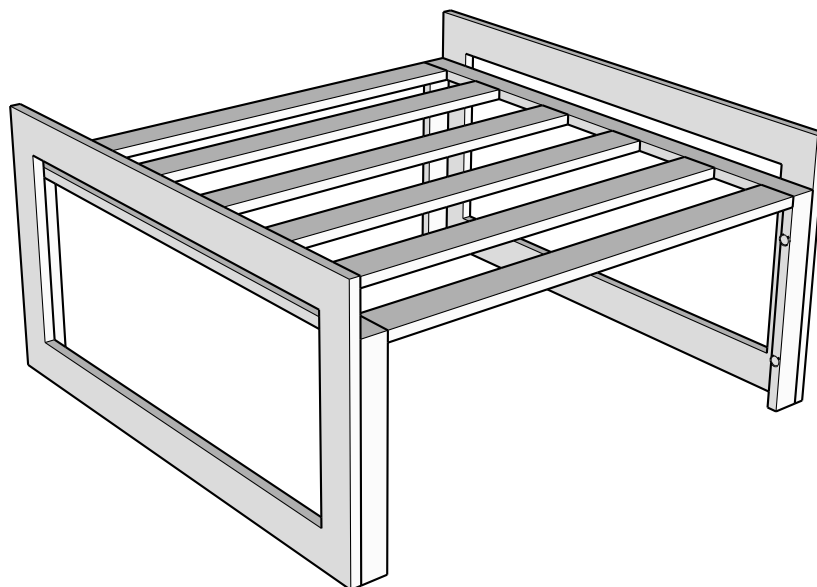
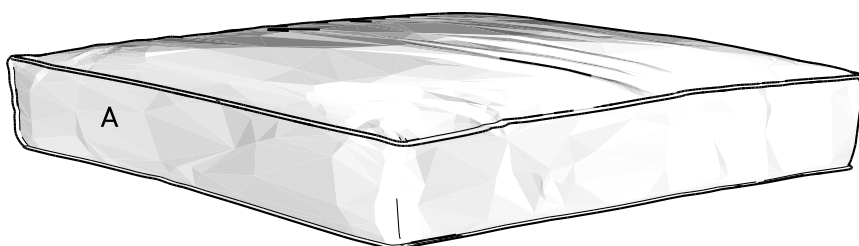


TIGHTEN ALL OF THE BOLTS COMPLETELY AT LAST, DO NOT OVER TIGHTEN.

Step 2

COMPONENTS

A Seat Cushion x1



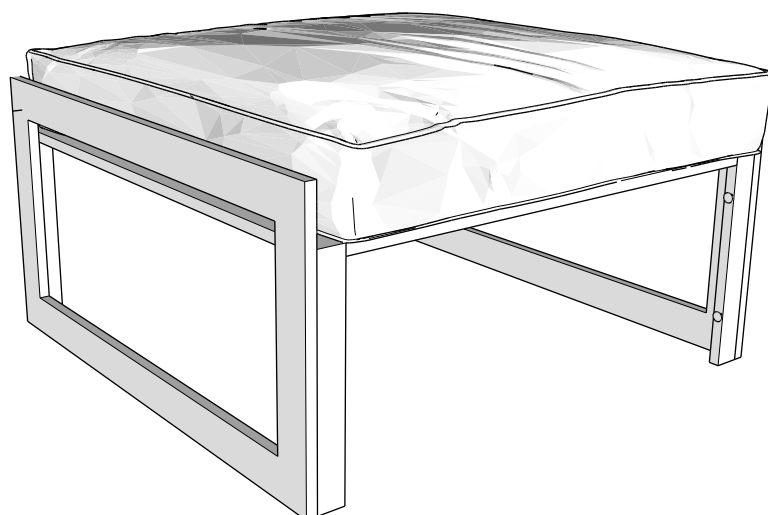
Great job!

Ottoman assembly is complete.

CARING FOR YOUR ITEM

Easy to clean with damp cloth

Use mild soap to wipe off the dust on the chair frame.



CONNECT WITH US!   

Tag us @modway_furniture and #modway for a chance to be featured.