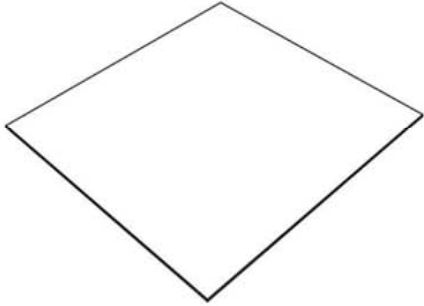


# ASSEMBLY INSTRUCTION

SKU:EEI-1515-BRN-TABLE,EEI-1515-WHI-TABLE

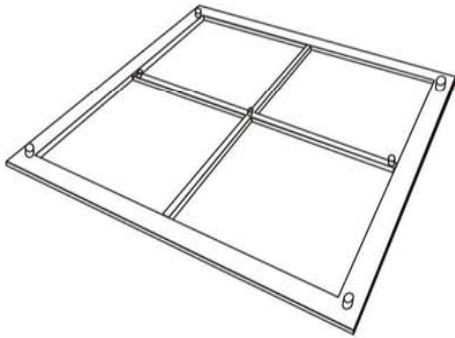
A\*1



B\*2



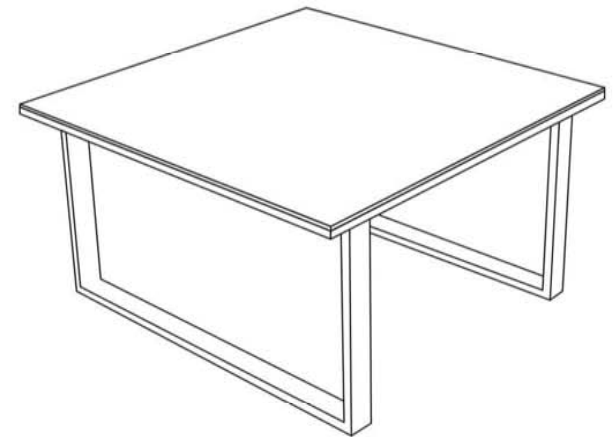
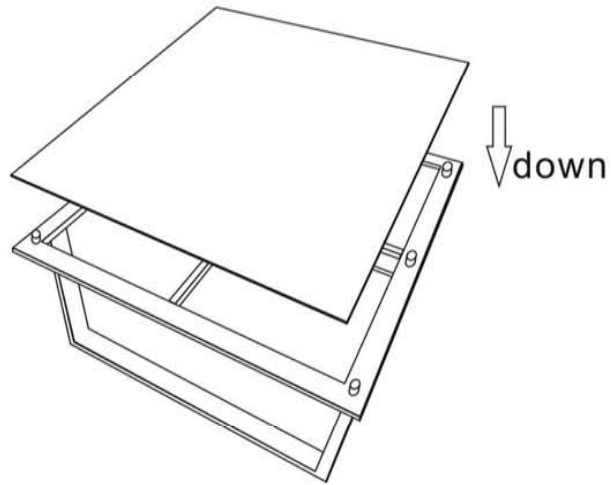
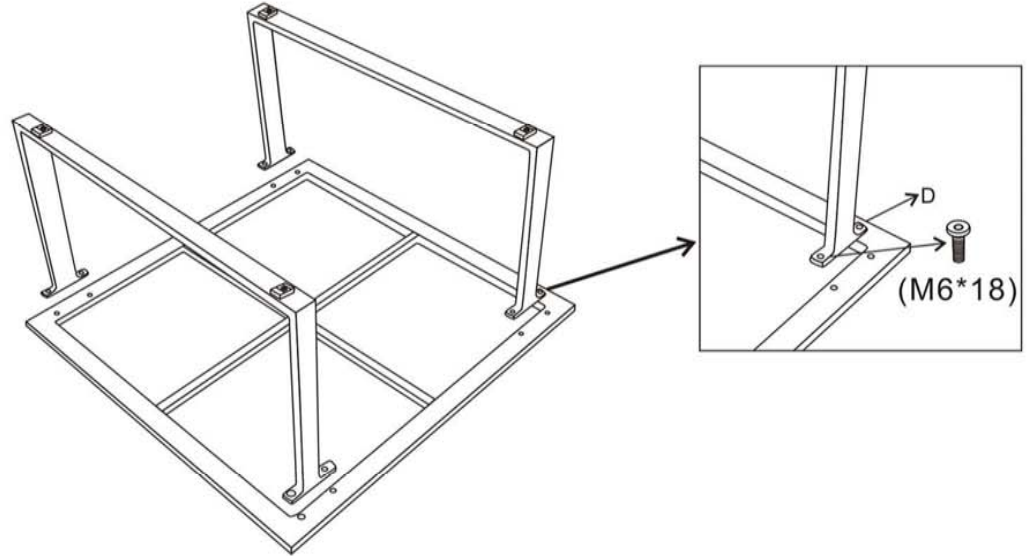
C\*1



D\*8(M6\*18)



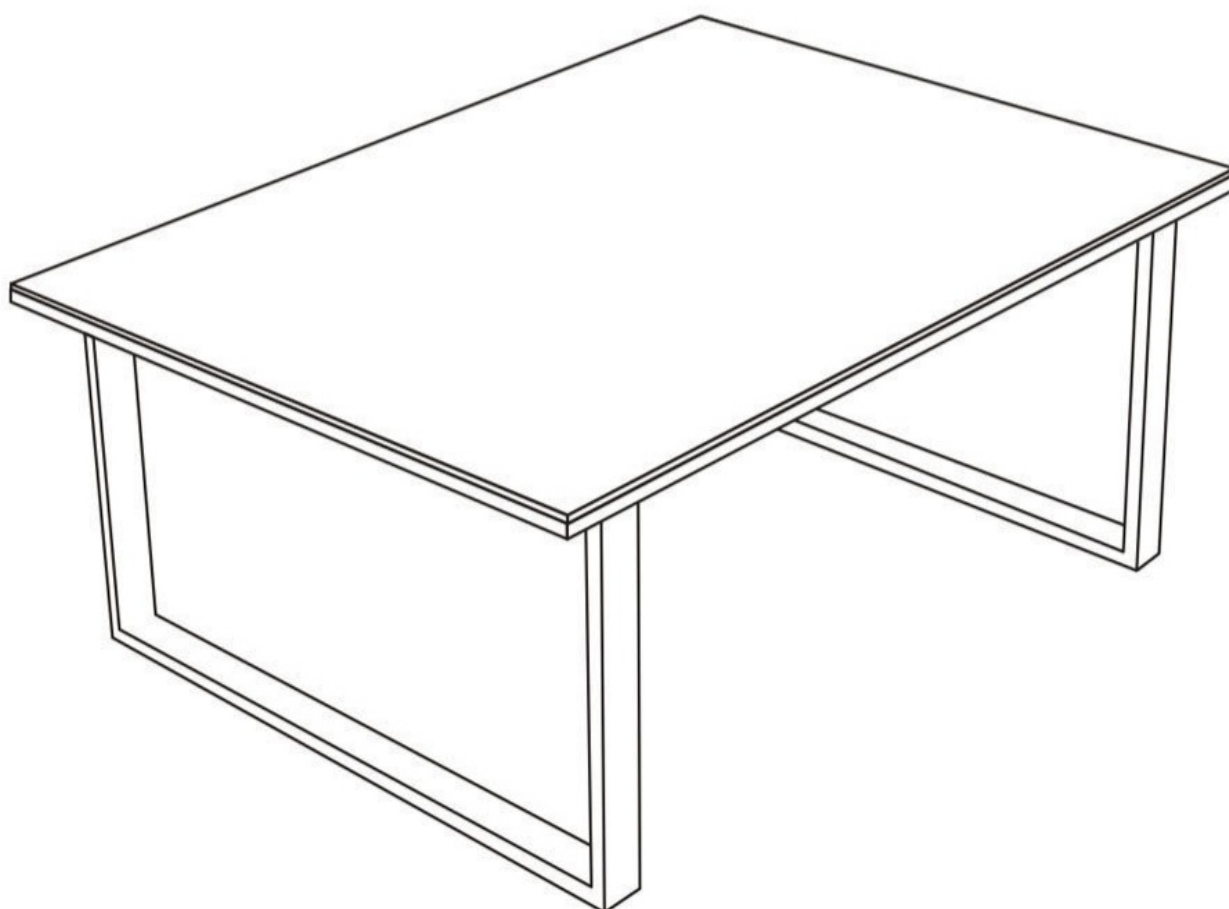
E\*1



## ASSEMBLY INSTRUCTIONS

# EEI-1516

V1.08.24.21



### Questions? Contact us!

609.256.9000 • [cs@modway.com](mailto:cs@modway.com)

[www.modway.com](http://www.modway.com)

\*modway

# Let's get started!

\*modway



Read through all of the instructions before starting



Care instructions are listed in the last step of this manual



Approx. 30 minutes assembly time



Make sure you have all parts and components before discarding any packing materials



2 people recommended for assembly

**Only use hand tools to assemble this item.** Do not use power tools. Do not tighten bolts or screws completely until all hardware is lined up and inserted into the holes.

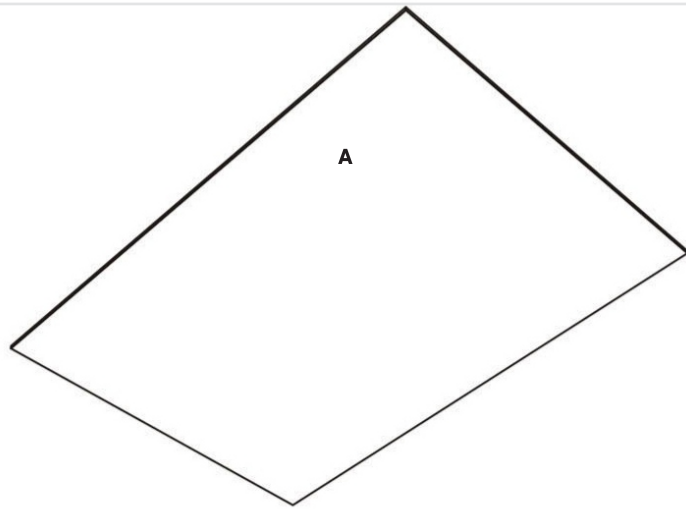
Do not over-tighten screws and bolts to avoid stripping the hardware or cracking the item.

Assemble your item on a flat, carpeted area, with plenty of space to work. This will prevent damage and scratches to your floors or the item while you're assembling the product.

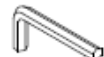
Keep all components and packaging out of reach of children or animals to avoid risk of choking or suffocation.

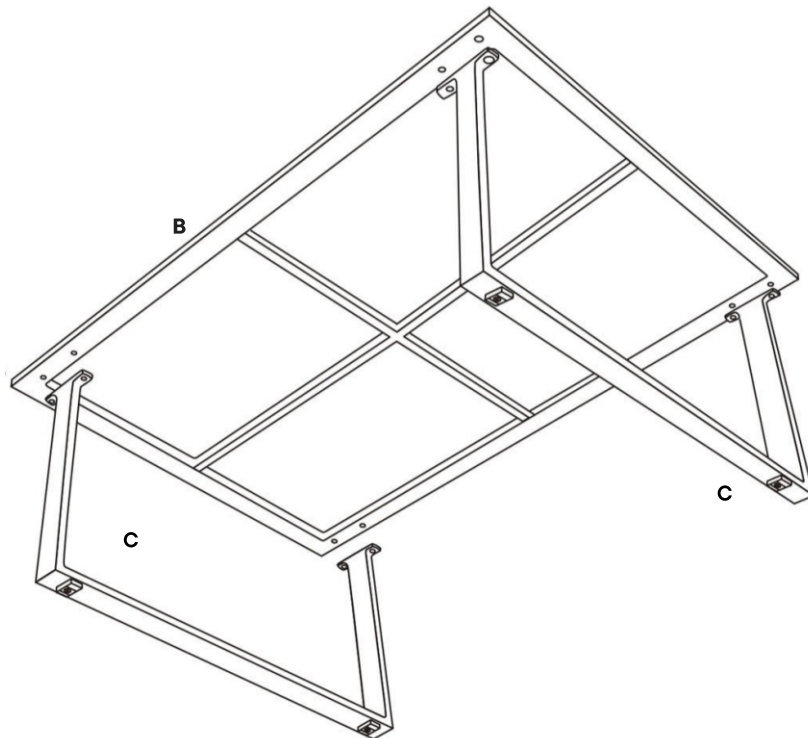
## Furniture components:

<b>A</b>	Glass Table Top	x1
<b>B</b>	Table Top Frame	x1
<b>C</b>	Table Leg	x2



## Provided hardware:

<b>D</b>		Bolt M6 x 18mm	x8
<b>E</b>		Allen Key	x1



Wait!

Missing parts or hardware? Need assistance?  
Contact us before returning your item. We're here to help!  
609.256.9000 • cs@modway.com

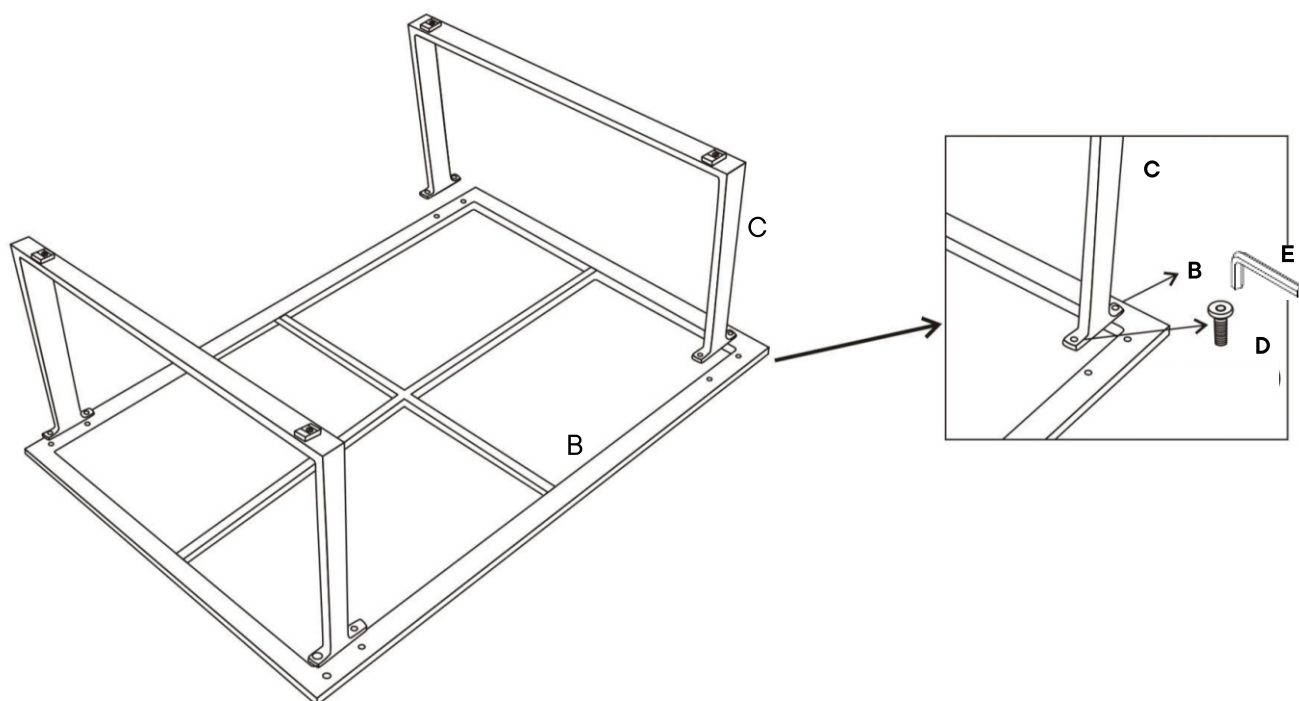
# Step 1

## HARDWARE

- D** Bolt M6 x 18mm x8
- E** Allen Key x1

## COMPONENTS

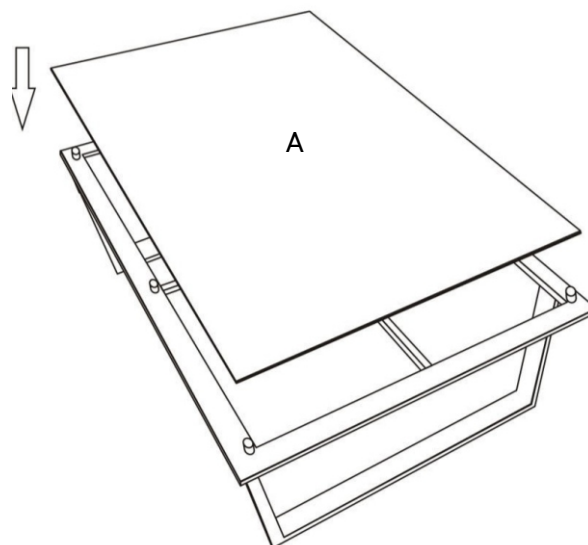
- B** Table Top Frame x1
- C** Table Leg x2



## Step 2

### COMPONENTS

**A** Glass Table Top x1



## Great job!

Table assembly is complete.

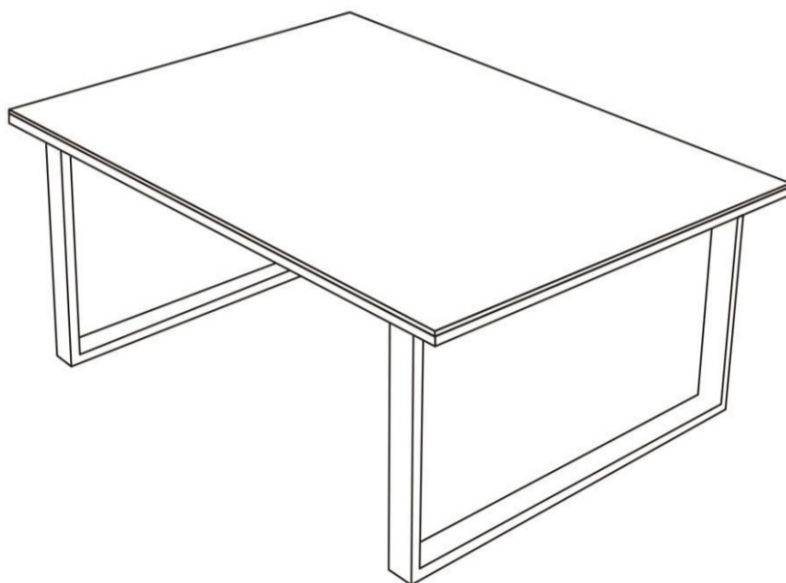
### ♥ CARING FOR YOUR ITEM

Indoor use only.

Not contract grade.

Clean using a non-abrasive cloth and a mild cleaner.

Never use harsh chemicals, as they could damage the finish or integrity of the item.



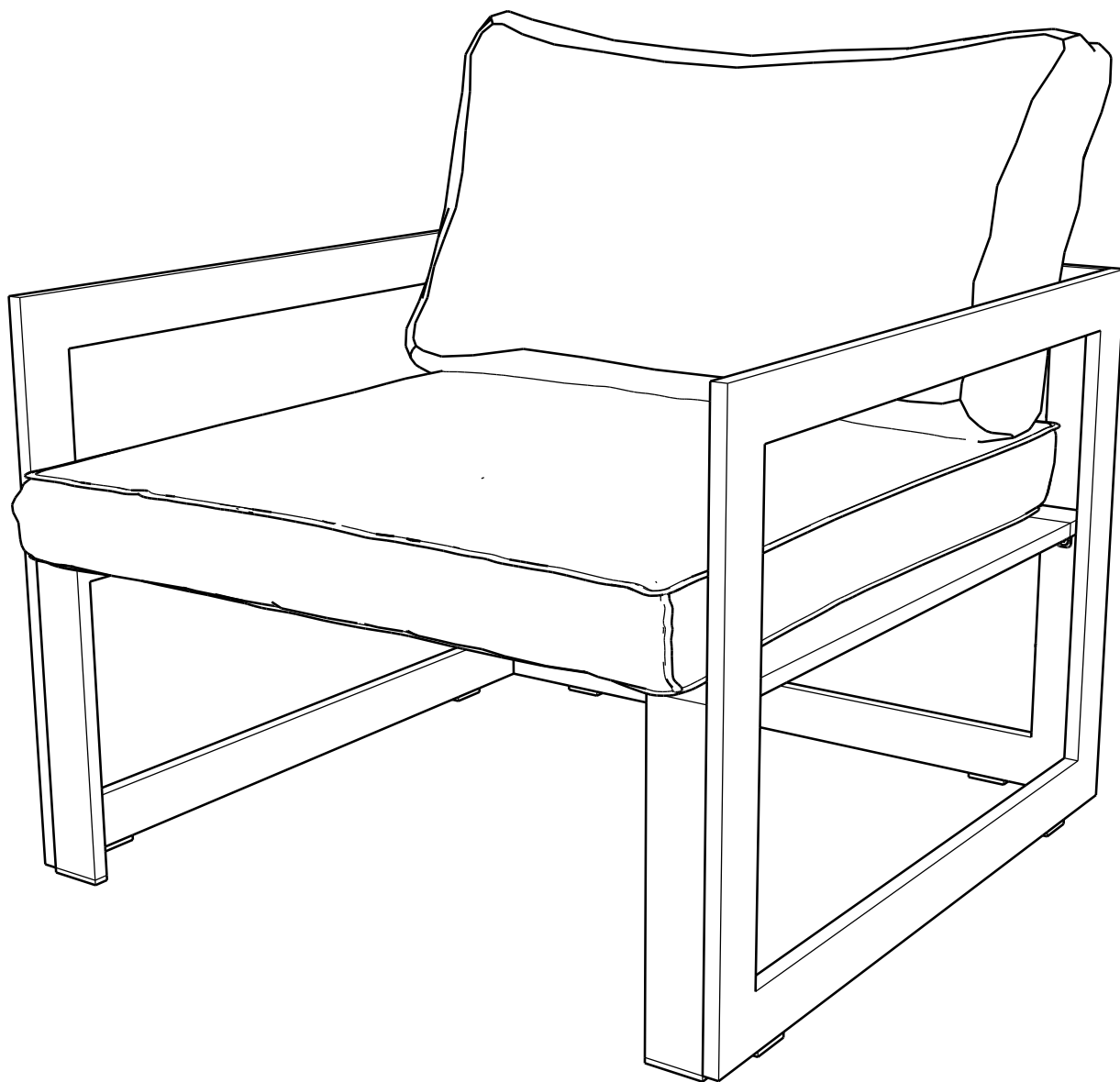
CONNECT WITH US!   

Tag us @modway\_furniture and #modway for a chance to be featured.

## ASSEMBLY INSTRUCTIONS

# EEI-1517

V1.09.3.21



**Questions? Contact us!**

609.256.9000 • [cs@modway.com](mailto:cs@modway.com)

[www.modway.com](http://www.modway.com)

**\*modway**



Read through all of the instructions before starting



Care instructions are listed in the last step of this manual



Approx. 30 minutes assembly time



Make sure you have all parts and components before discarding any packing materials



2 people recommended for assembly

**Only use hand tools to assemble this item.** Do not use power tools. Do not tighten bolts or screws completely until all hardware is lined up and inserted into the holes.

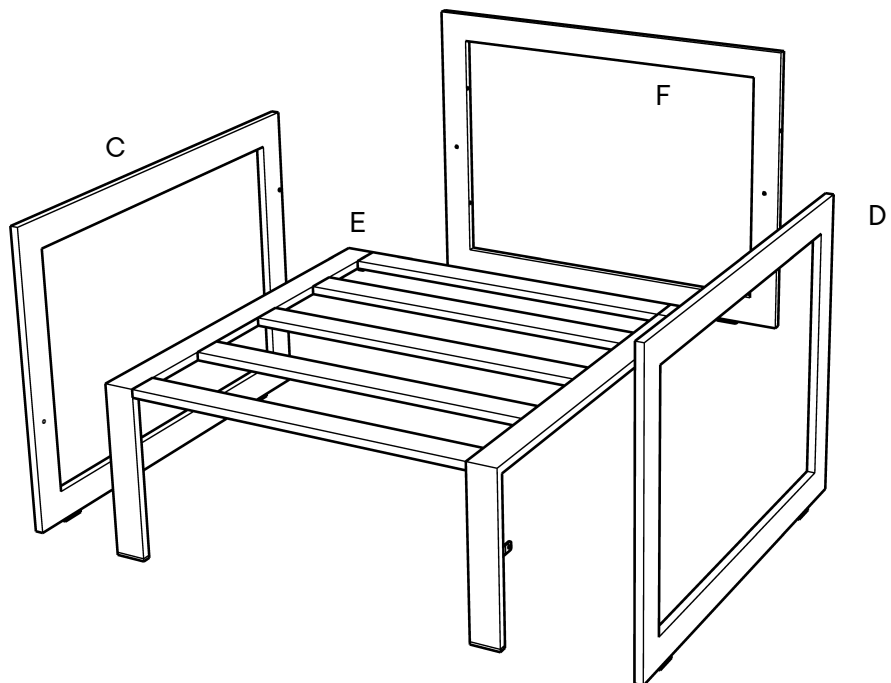
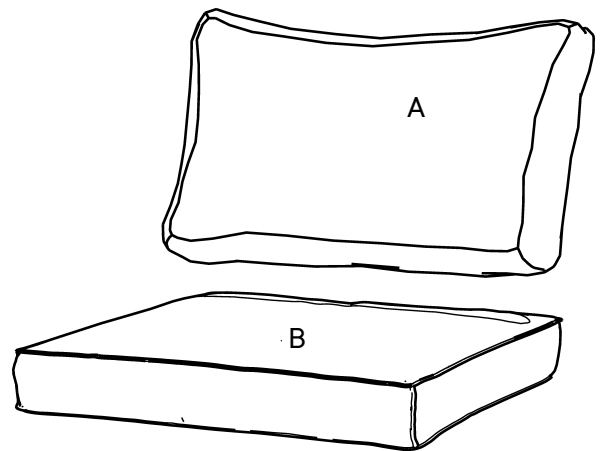
Do not over-tighten screws and bolts to avoid stripping the hardware or cracking the item.

Assemble your item on a flat area, with plenty of space to work. This will prevent damage and scratches to your floors or the item while you're assembling the product.

Keep all components and packaging out of reach of children or animals to avoid risk of choking or suffocation.

## Furniture components:

<b>A</b>	Backrest Cushion	x1
<b>B</b>	Seat Cushion	x1
<b>C</b>	Armrest L	x1
<b>D</b>	Armrest R	x1
<b>E</b>	Seat Base	x1
<b>F</b>	Backrest Frame	x1



## Provided hardware:

<b>G</b>		Bolt M6 x 65mm	x4
<b>H</b>		Bolt M6 x 15mm	x4
<b>I</b>		Bolt Cap 4 x 16mm	x8
<b>J</b>		Allen Key	x1

**Wait!**

Missing parts or hardware? Need assistance?  
Contact us before returning your item. We're here to help!  
609.256.9000 • cs@modway.com

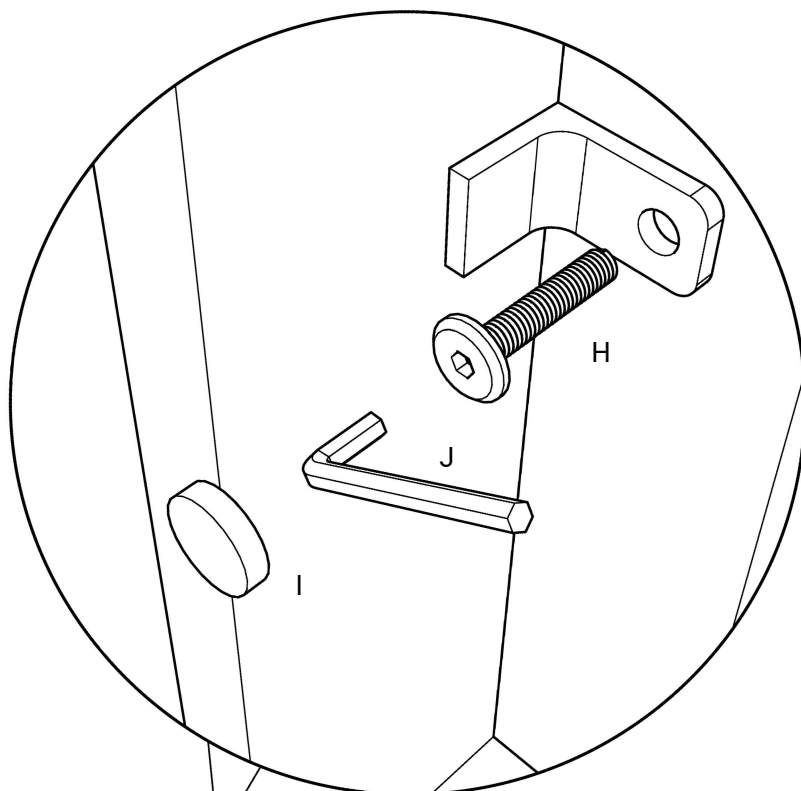
# Step 1

## HARDWARE

<b>H</b>	Bolt M6 x 15mm	x2
<b>I</b>	Bolt Cap 4 x 16mm	x2
<b>J</b>	Allen Key	x1

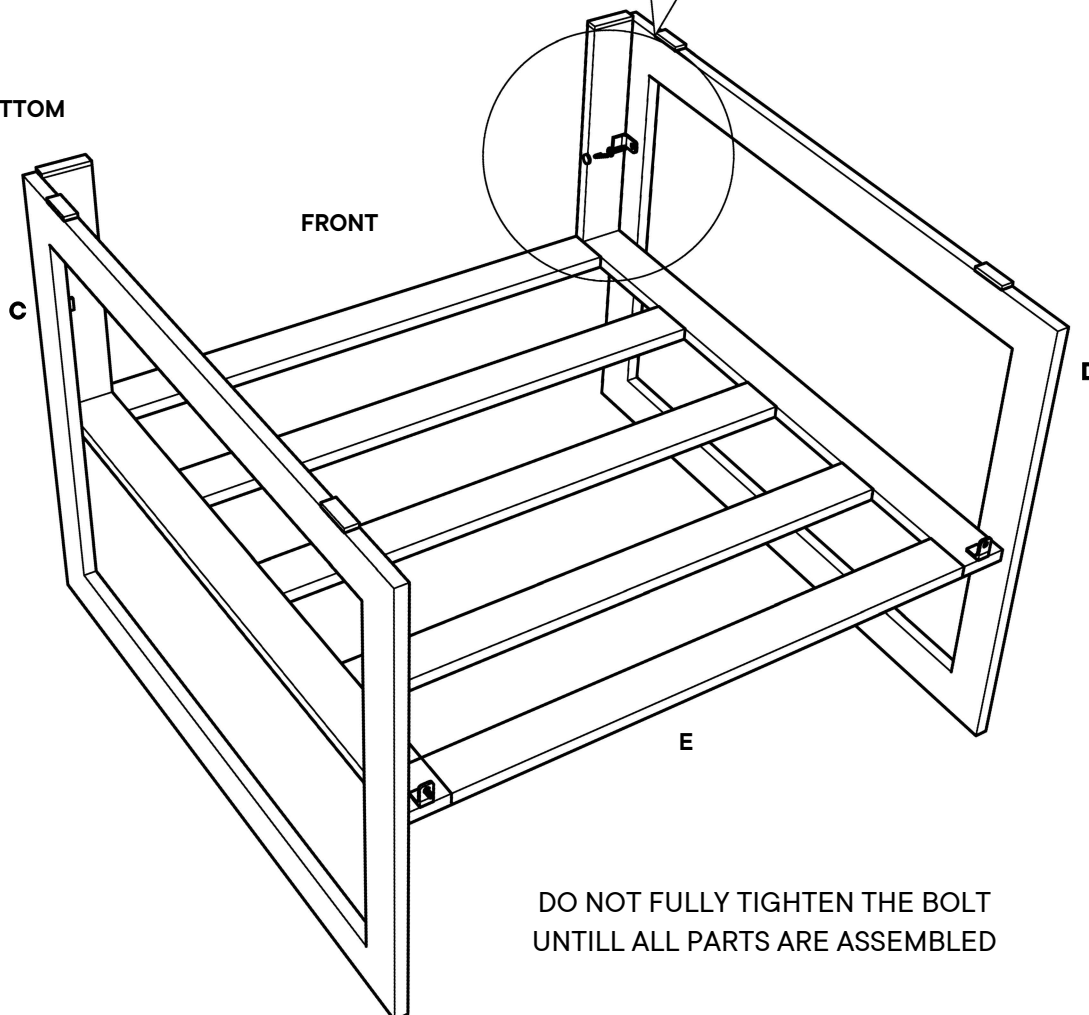
## COMPONENTS

<b>C</b>	Armrest L	x1
<b>D</b>	Armrest R	x1
<b>E</b>	Seat Base	x1



BOTTOM

FRONT



DO NOT FULLY TIGHTEN THE BOLT  
UNTILL ALL PARTS ARE ASSEMBLED

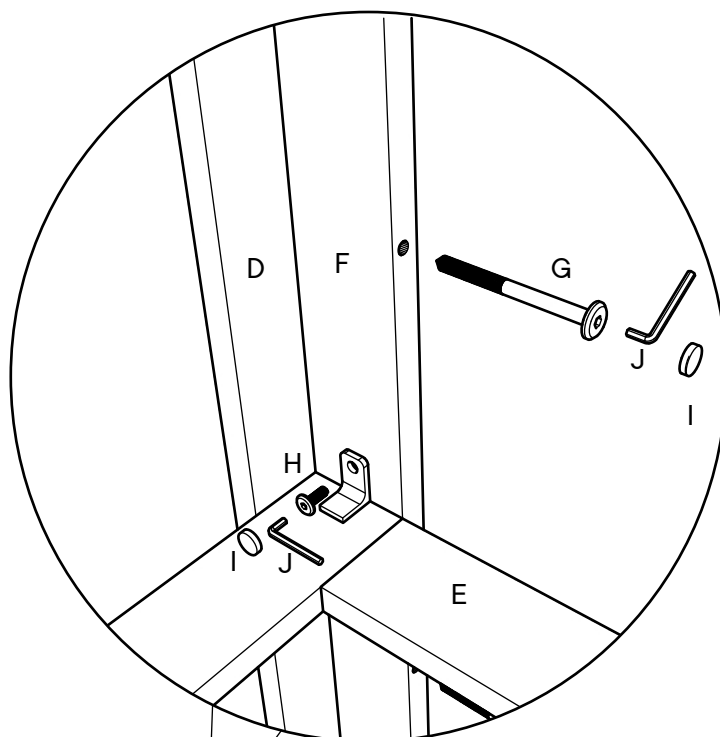
# Step 2

## HARDWARE

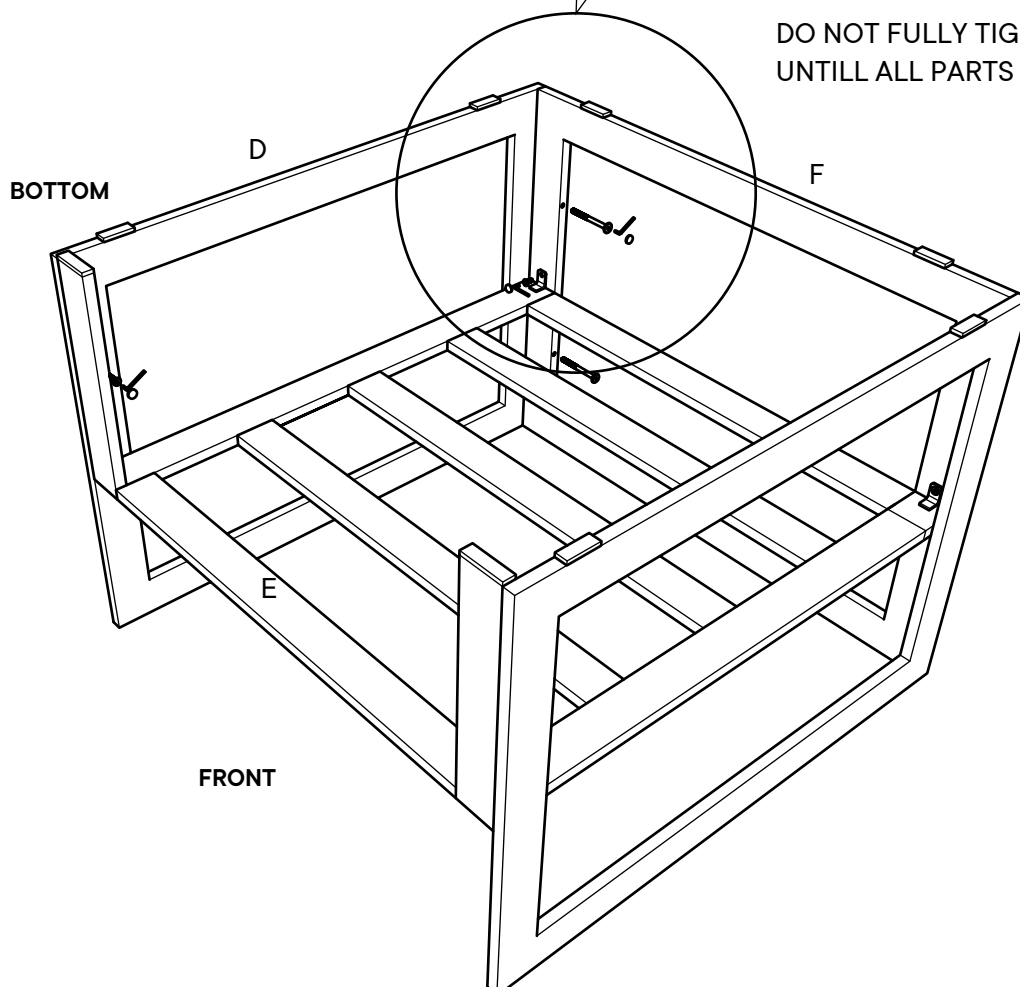
<b>G</b>	Bolt M6 x 65mm	x4
<b>H</b>	Bolt M6 x 15mm	x4
<b>I</b>	Bolt Cap 4 x 16mm	x8
<b>J</b>	Allen Key	x1

## COMPONENTS

<b>C</b>	Armrest L	x1
<b>D</b>	Armrest R	x1
<b>E</b>	Seat Base	x1
<b>F</b>	Backrest	x1



DO NOT FULLY TIGHTEN THE BOLT UNTILL ALL PARTS ARE ASSEMBLED

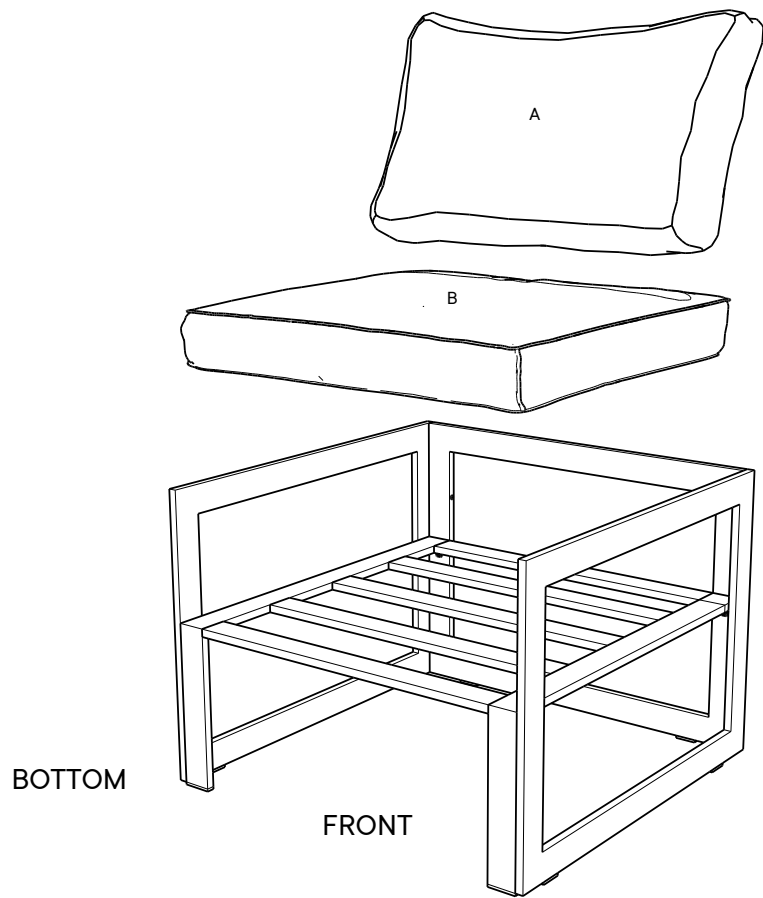


TIGHTEN ALL OF THE BOLTS COMPLETELY AT LAST, DO NOT OVER TIGHTEN.

# Step 3

## COMPONENTS

- A** Backrest Cushion x1
- B** Seat Cushion x1



# Great job!

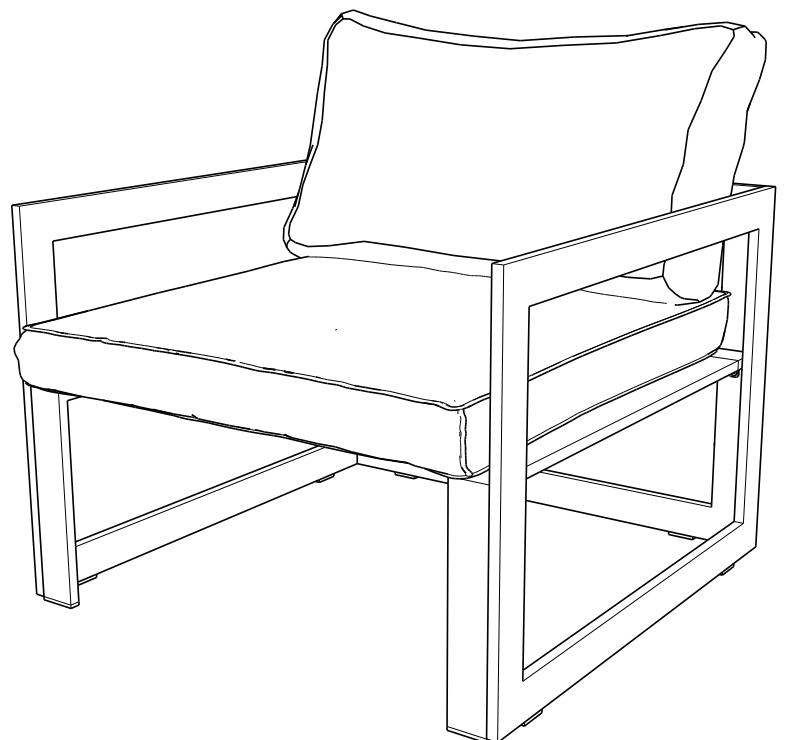
Chair assembly is complete.



## CARING FOR YOUR ITEM

Easy to clean with damp cloth

Use mild soap to wipe off the dust on the chair frame.



CONNECT WITH US!   

Tag us @modway\_furniture and #modway for a chance to be featured.

## ASSEMBLY INSTRUCTIONS

# EEI-1518

V1.09.3.21



**Questions? Contact us!**

609.256.9000 • [cs@modway.com](mailto:cs@modway.com)

[www.modway.com](http://www.modway.com)

**\*modway**

# Let's get started!

\*modway



Read through all of the instructions before starting



Care instructions are listed in the last step of this manual



Approx. 30 minutes assembly time



Make sure you have all parts and components before discarding any packing materials



2 people recommended for assembly

**Only use hand tools to assemble this item.** Do not use power tools. Do not tighten bolts or screws completely until all hardware is lined up and inserted into the holes.

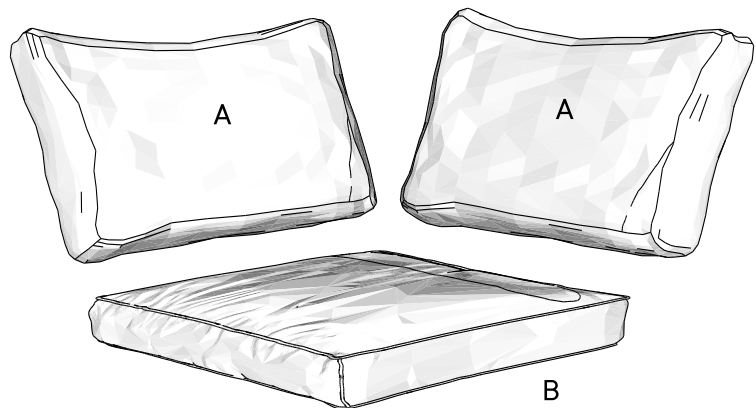
Do not over-tighten screws and bolts to avoid stripping the hardware or cracking the item.

Assemble your item on a flat, carpeted area, with plenty of space to work. This will prevent damage and scratches to your floors or the item while you're assembling the product.

Keep all components and packaging out of reach of children or animals to avoid risk of choking or suffocation.

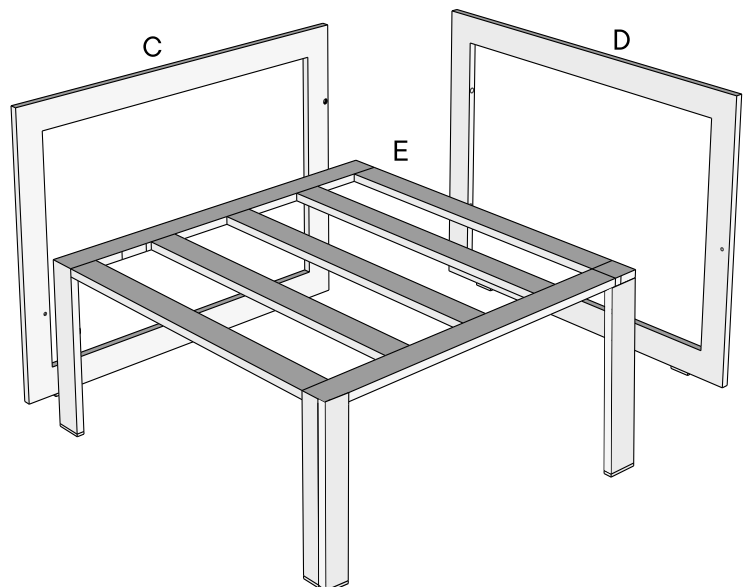
## Furniture components:

A	Backrest Cushion	x2
B	Seat Cushion	x1
C	Armrest L	x1
D	Back	x1
E	Seat Base	x1



## Provided hardware:

G		Bolt M6 x 65mm	x2
H		Bolt M6 x 15mm	x3
I		Bolt Cap 4 x 16mm	x5
J		Allen Key	x1



Wait!

Missing parts or hardware? Need assistance?  
Contact us before returning your item. We're here to help!  
609.256.9000 • cs@modway.com

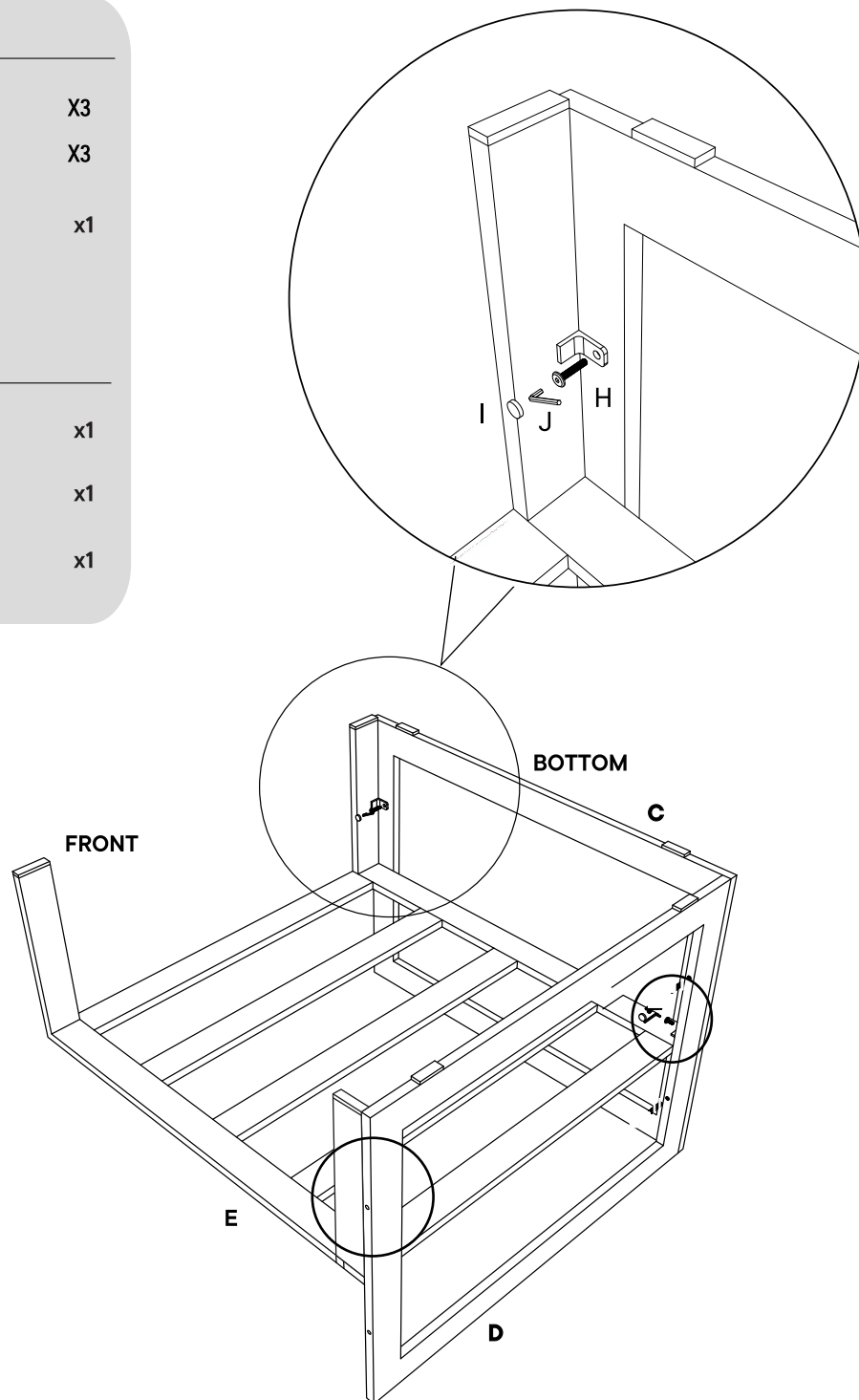
# Step 1

## HARDWARE

<b>H</b>	Bolt M6 x 15mm	X3
<b>I</b>	Bolt Cap 4 x 16mm	X3
<b>J</b>	Allen Key	x1

## COMPONENTS

<b>C</b>	Armrest L	x1
<b>D</b>	Back	x1
<b>E</b>	Seat Base	x1



DO NOT FULLY TIGHTEN THE BOLT  
UNTILL ALL PARTS ARE ASSEMBLED

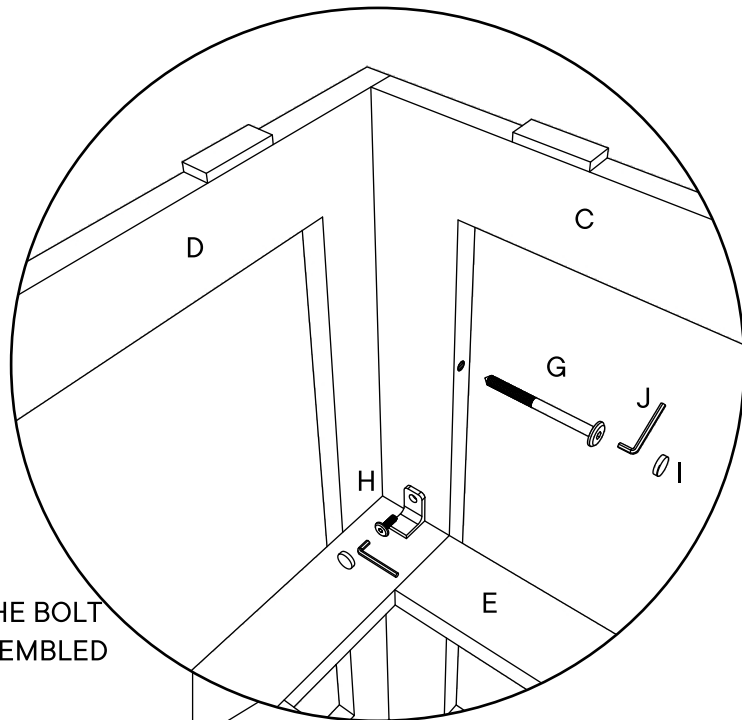
# Step 2

## HARDWARE

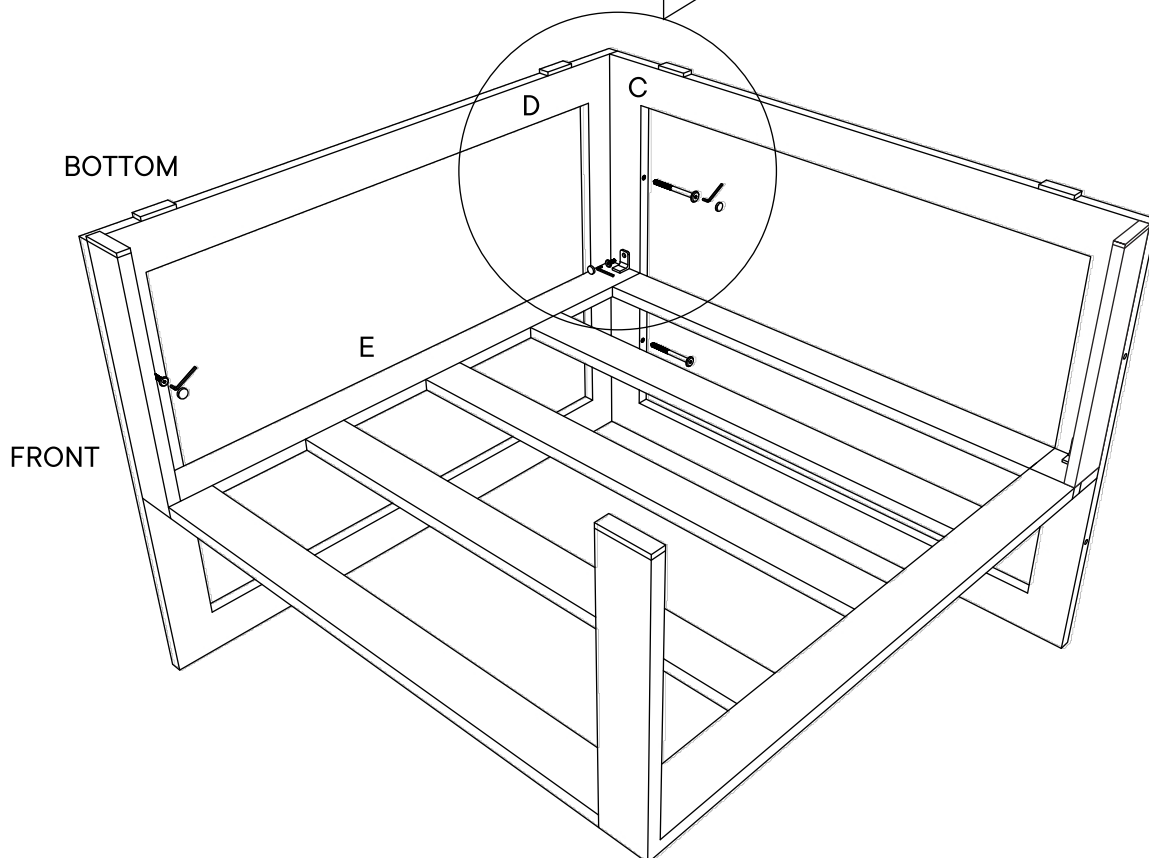
<b>G</b>	Bolt M6 x 65mm	x2
<b>H</b>	Bolt M6 x 15mm	x3
<b>I</b>	Bolt Cap 4 x 16mm	x5
<b>J</b>	Allen Key	x1

## COMPONENTS

<b>C</b>	Armrest L	x1
<b>D</b>	Back	x1
<b>E</b>	Seat Base	x1



DO NOT FULLY TIGHTEN THE BOLT UNTILL ALL PARTS ARE ASSEMBLED

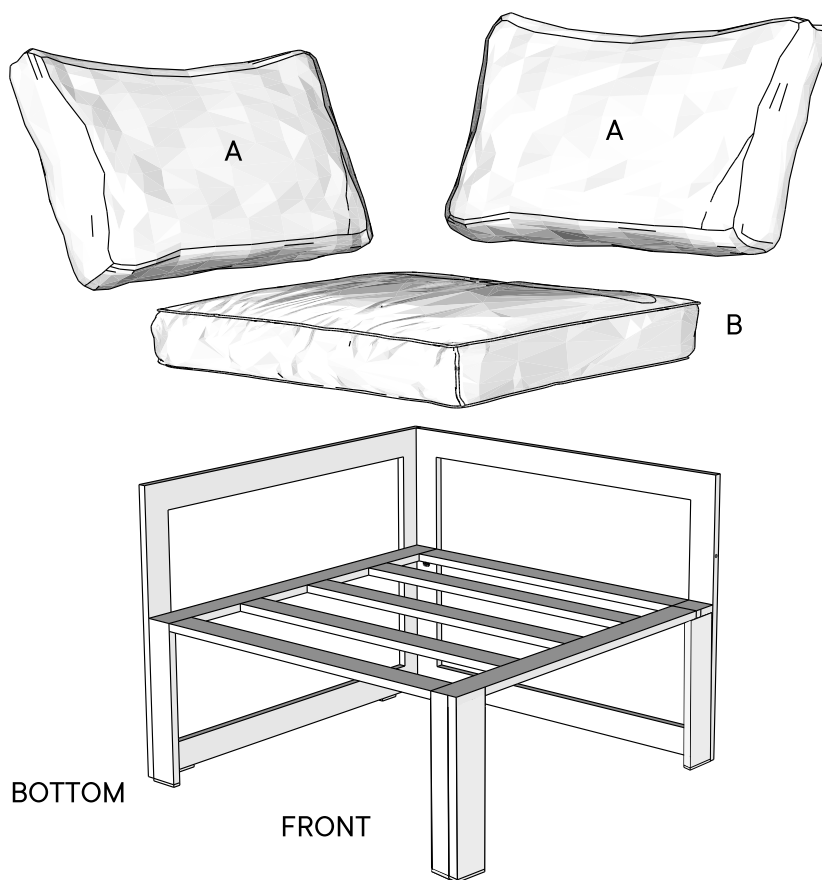


TIGHTEN ALL OF THE BOLTS COMPLETELY AT LAST, DO NOT OVER TIGHTEN.

# Step 3

## COMPONENTS

- A** Backrest Cushion x2
- B** Seat Cushion x1



# Great job!

Corner Chair assembly is complete.

## ♥ CARING FOR YOUR ITEM

Easy to clean with damp cloth

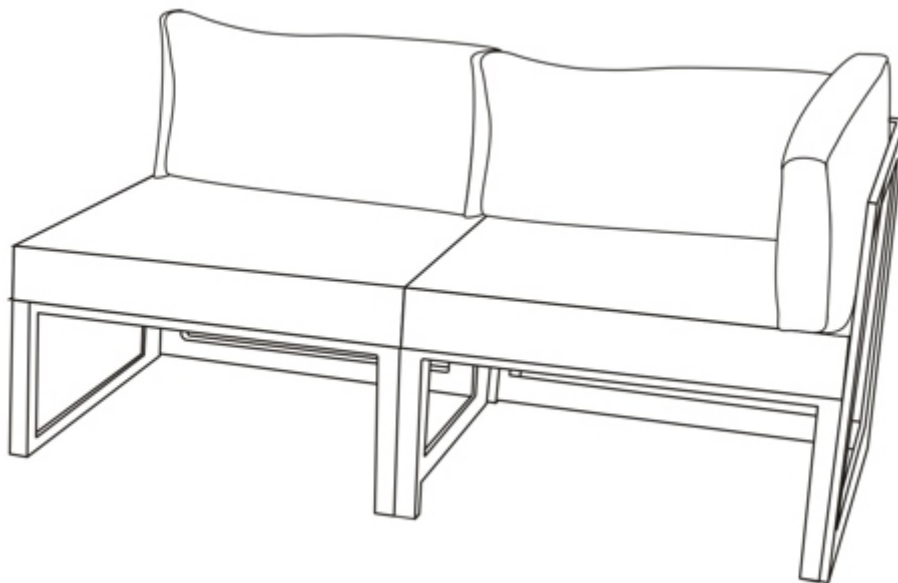
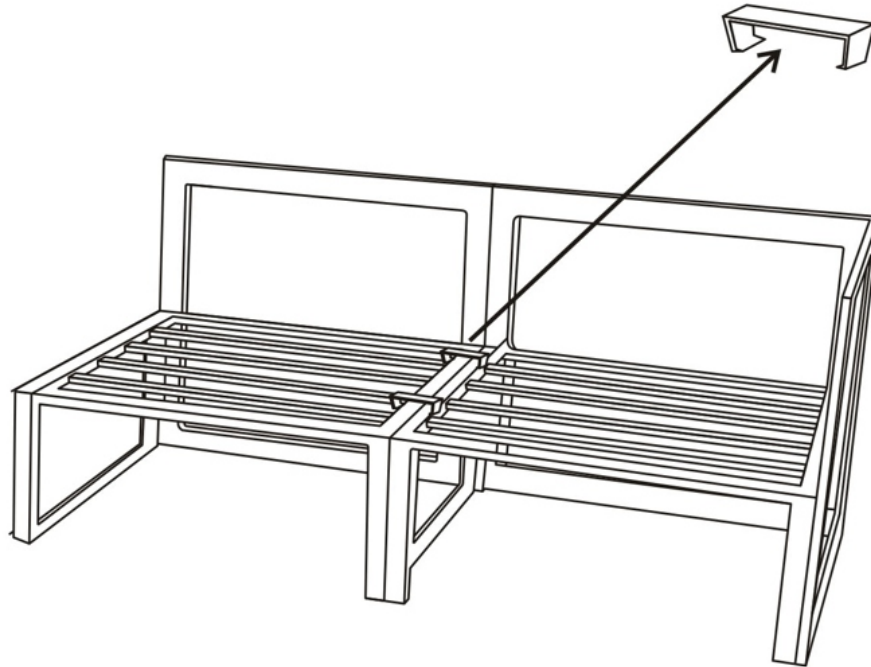
Use mild soap to wipe off the dust on the chair frame.



CONNECT WITH US!   

Tag us @modway\_furniture and #modway for a chance to be featured.

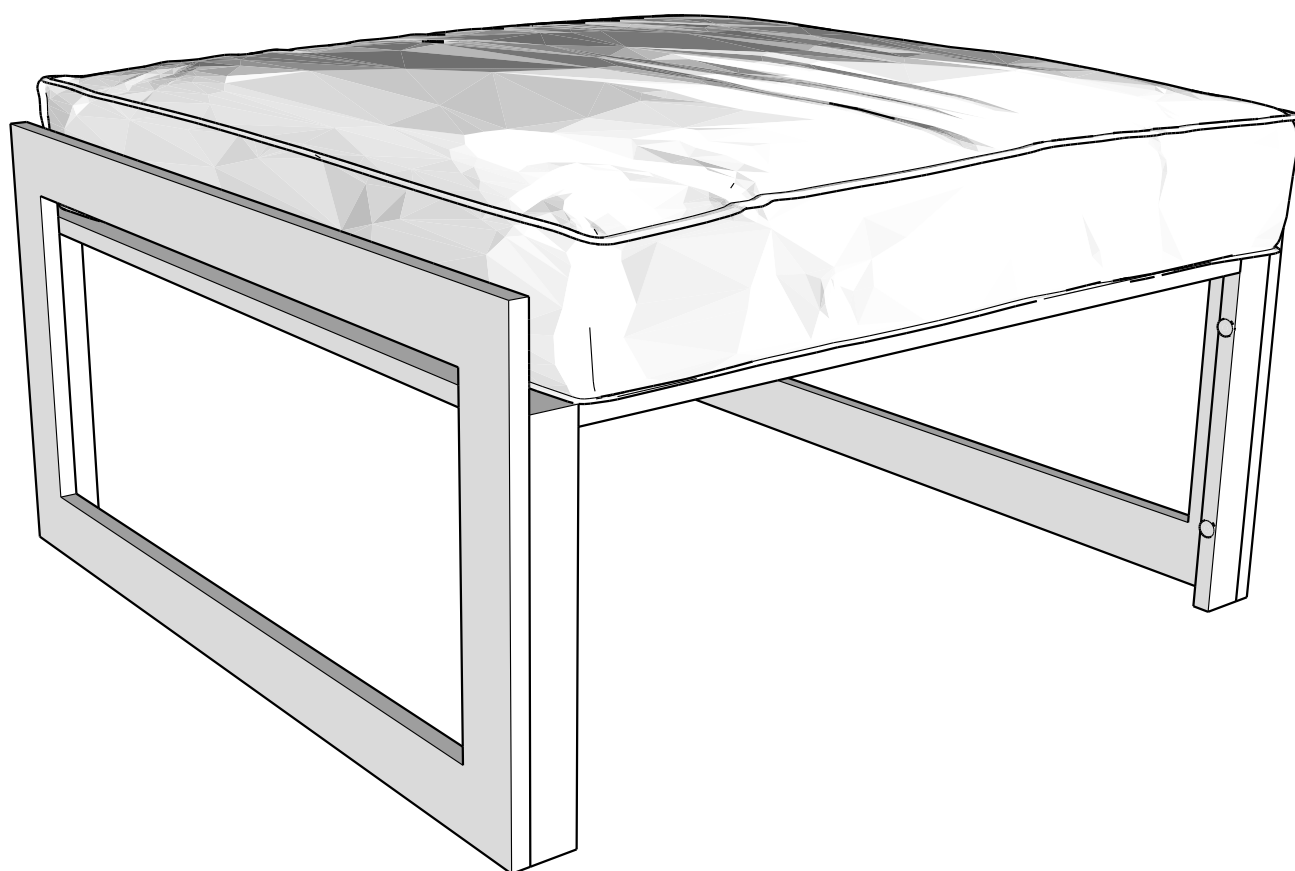
**Optional: Buckles Instruction Corner Chair with Armless Chair**



## ASSEMBLY INSTRUCTIONS

# EEI-1521

V1.09.4.21



### Questions? Contact us!

609.256.9000 • [cs@modway.com](mailto:cs@modway.com)

[www.modway.com](http://www.modway.com)

\*modway



Read through all of the instructions before starting



Care instructions are listed in the last step of this manual



Approx. 30 minutes assembly time



Make sure you have all parts and components before discarding any packing materials



2 people recommended for assembly

**Only use hand tools to assemble this item.** Do not use power tools. Do not tighten bolts or screws completely until all hardware is lined up and inserted into the holes.

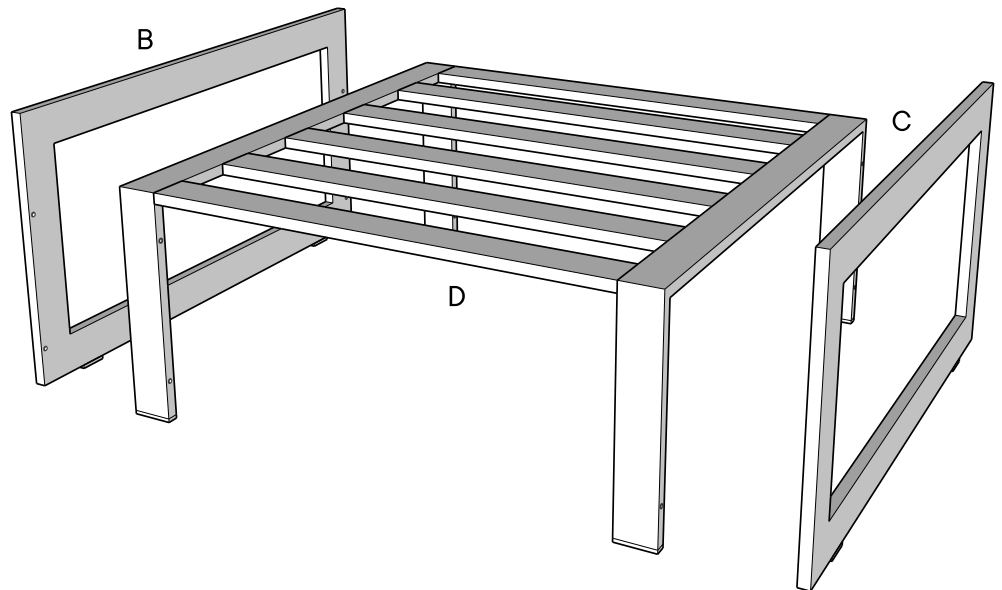
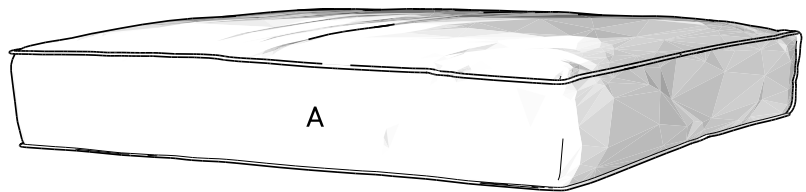
Do not over-tighten screws and bolts to avoid stripping the hardware or cracking the item.

Assemble your item on a flat area, with plenty of space to work. This will prevent damage and scratches to your floors or the item while you're assembling the product.




Keep all components and packaging out of reach of children or animals to avoid risk of choking or suffocation.

## Furniture components:

<b>A</b>	Seat Cushion	<b>x1</b>
<b>B</b>	Left Frame - L	<b>x1</b>
<b>C</b>	Right Frame - R	<b>x1</b>
<b>D</b>	Seat Base	<b>x1</b>



## Provided hardware:

<b>E</b>		Bolt M6 x 50mm	<b>x8</b>
<b>F</b>		Bolt Cap 4 x 16mm	<b>x8</b>
<b>G</b>		Allen Key	<b>x1</b>

**Wait!**

Missing parts or hardware? Need assistance?  
Contact us before returning your item. We're here to help!  
609.256.9000 • cs@modway.com

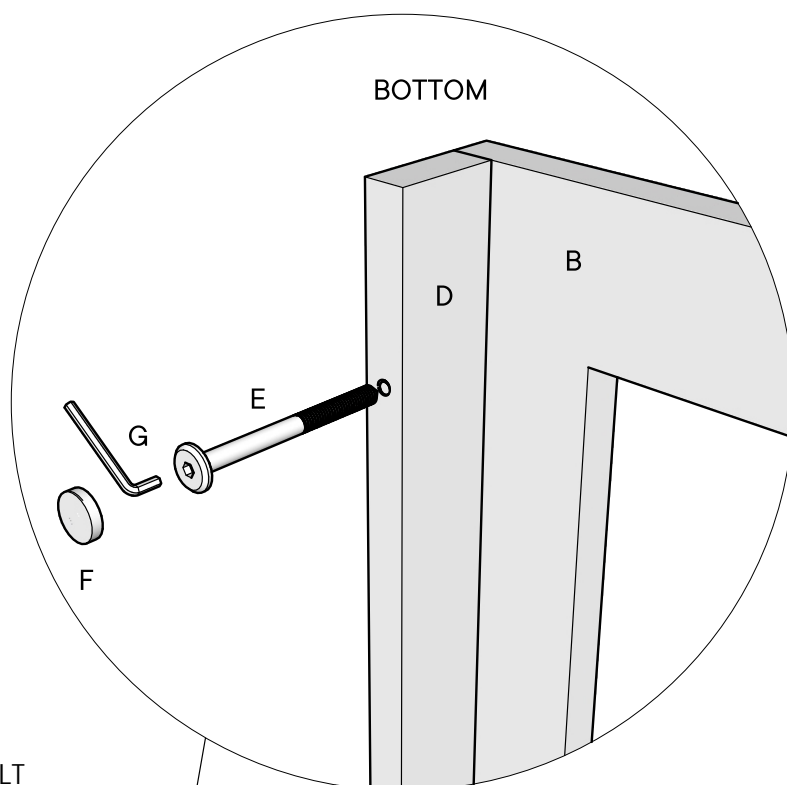
# Step 1

## HARDWARE

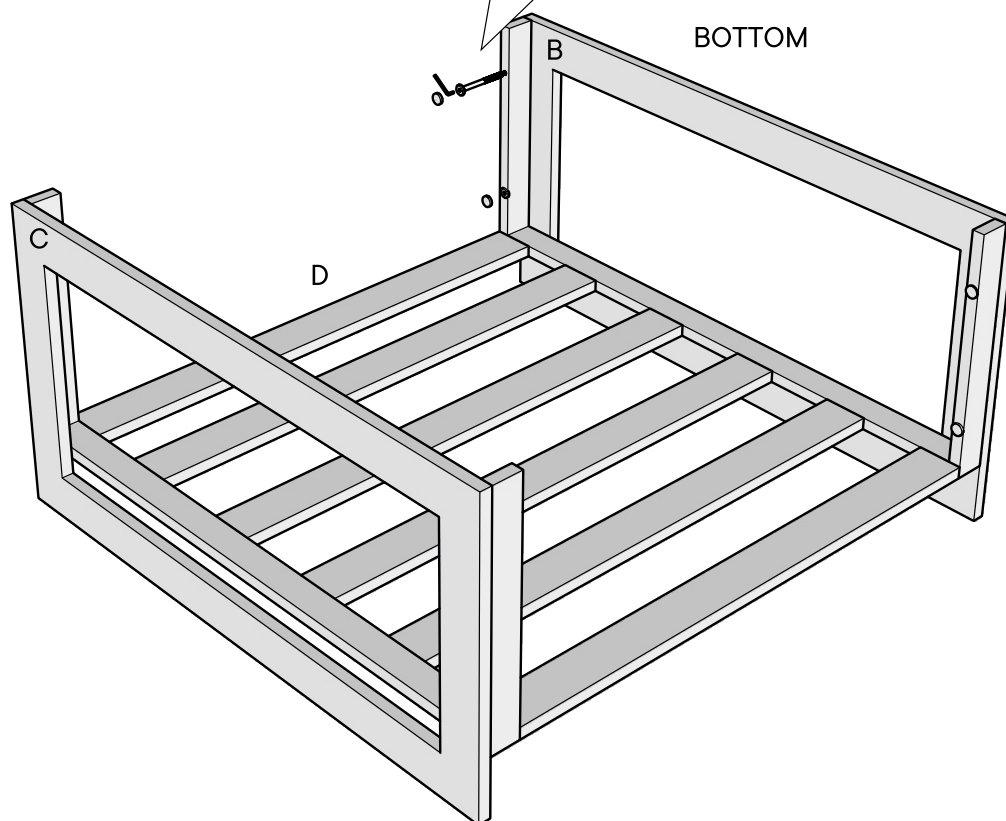
<b>E</b>	Bolt M6 x 50mm	x8
<b>F</b>	Bolt Cap 4 x 16mm	x8
<b>G</b>	Allen Key	x1

## COMPONENTS

<b>B</b>	Left Frame - L	x1
<b>C</b>	Right Frame - R	x1
<b>D</b>	Seat Base	x1



DO NOT FULLY TIGHTEN THE BOLT UNTILL ALL PARTS ARE ASSEMBLED

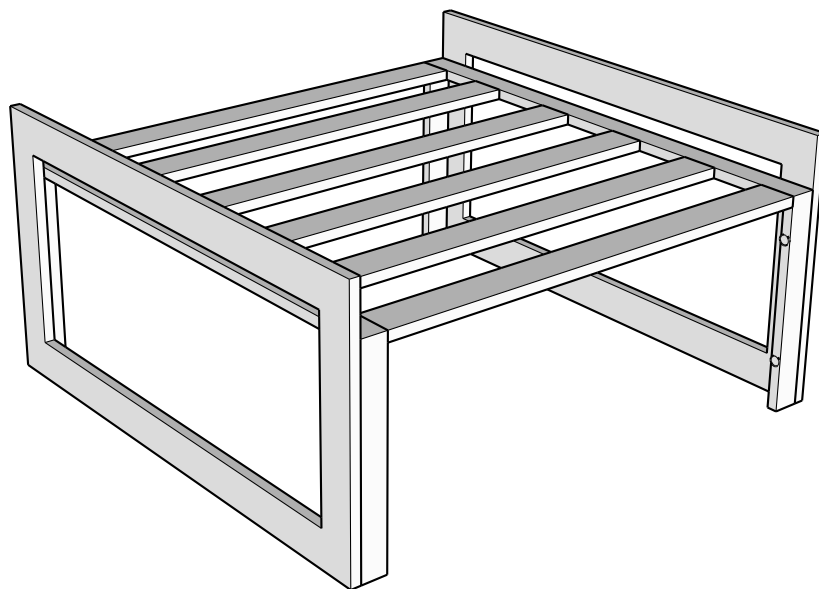
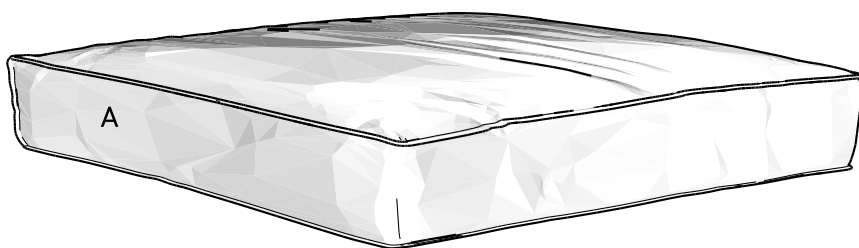


TIGHTEN ALL OF THE BOLTS COMPLETELY AT LAST, DO NOT OVER TIGHTEN.

## Step 2

### COMPONENTS

**A** Seat Cushion x1



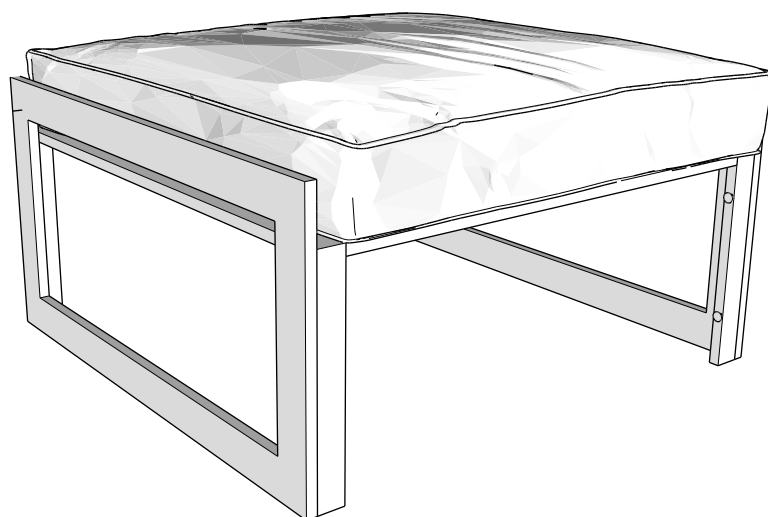
## Great job!

Ottoman assembly is complete.

### CARING FOR YOUR ITEM

Easy to clean with damp cloth

Use mild soap to wipe off the dust on the chair frame.



CONNECT WITH US!   

Tag us @modway\_furniture and #modway for a chance to be featured.