

ASSEMBLY INSTRUCTIONS

EEI-1150

V1.08.08.23



Questions? Contact us!

609.256.9000 • cs@modway.com
www.modway.com

***modway**

Let's get started!

*modway



Read through all of the instructions before starting



Care instructions are listed in the last step of this manual



Approx. 30 minutes assembly time



Make sure you have all parts and components before discarding any packing materials



2 people recommended for assembly

Only use hand tools to assemble this item. Do not use power tools. Do not tighten bolts or screws completely until all hardware is lined up and inserted into the holes.

Do not over-tighten screws and bolts to avoid stripping the hardware or cracking the item.




Assemble your item on a flat, carpeted area, with plenty of space to work. This will prevent damage and scratches to your floors or the item while you're assembling the product.

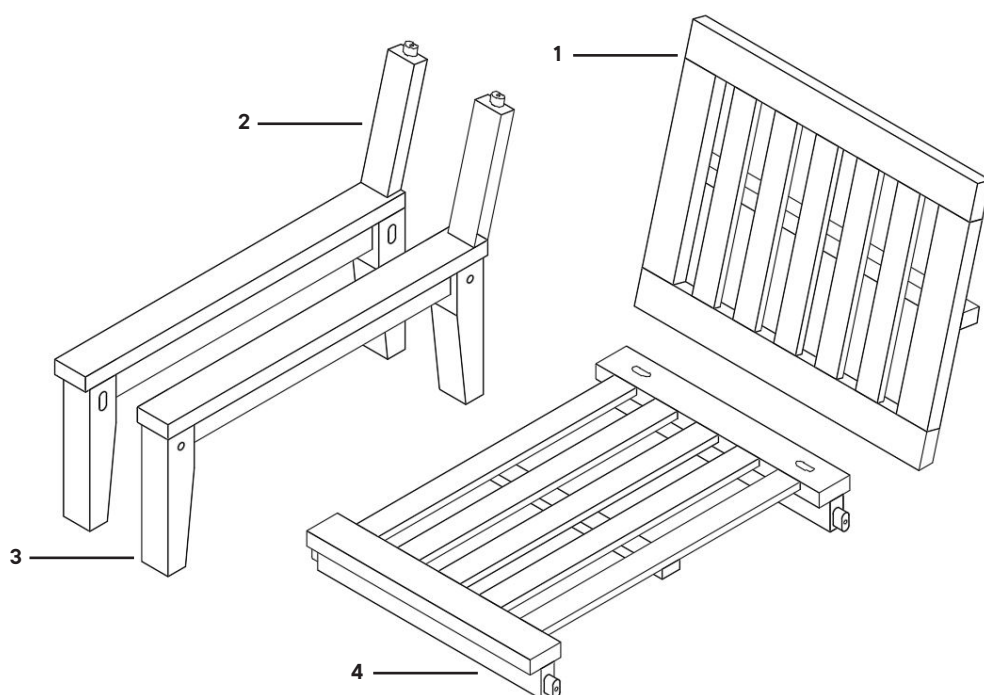
Keep all components and packaging out of reach of children or animals to avoid risk of choking or suffocation.

Furniture components:

1	Backrest	x1
2	Left Frame	x1
3	Right Frame	x1
4	Seat Base	x1

Provided hardware:

A		Bolt M6 x 70 mm	x4
B		Bolt M6 x 40 mm	x2
C		Allen Key	x1



Wait!

Missing parts or hardware? Need assistance?

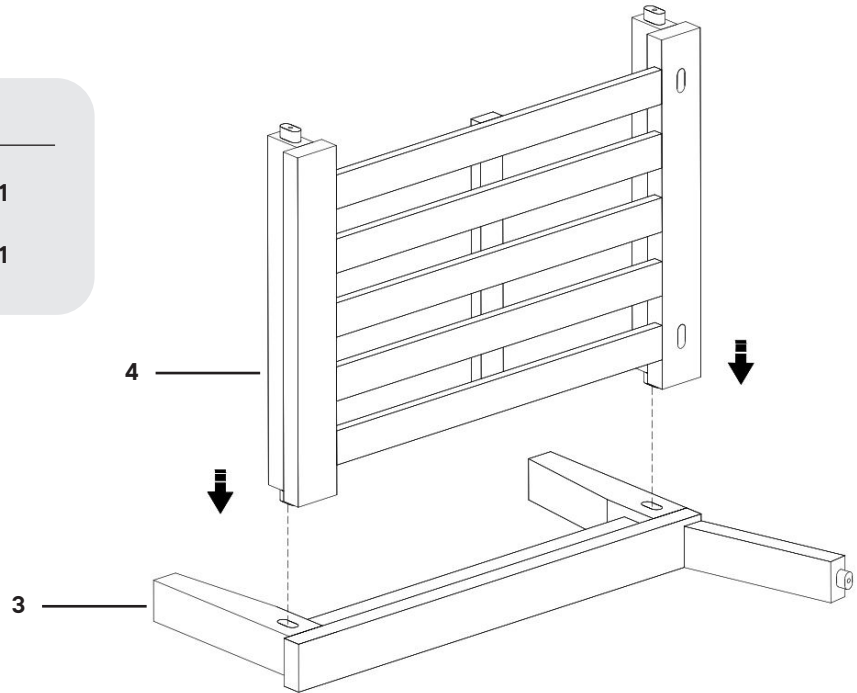
Contact us before returning your item. We're here to help!

609.256.9000 • cs@modway.com

Step 1

COMPONENTS

- ③ Right Frame x1
- ④ Seat Base x1



Step 2

COMPONENTS

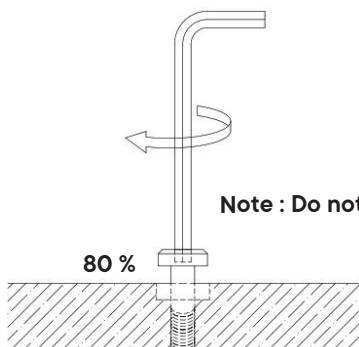
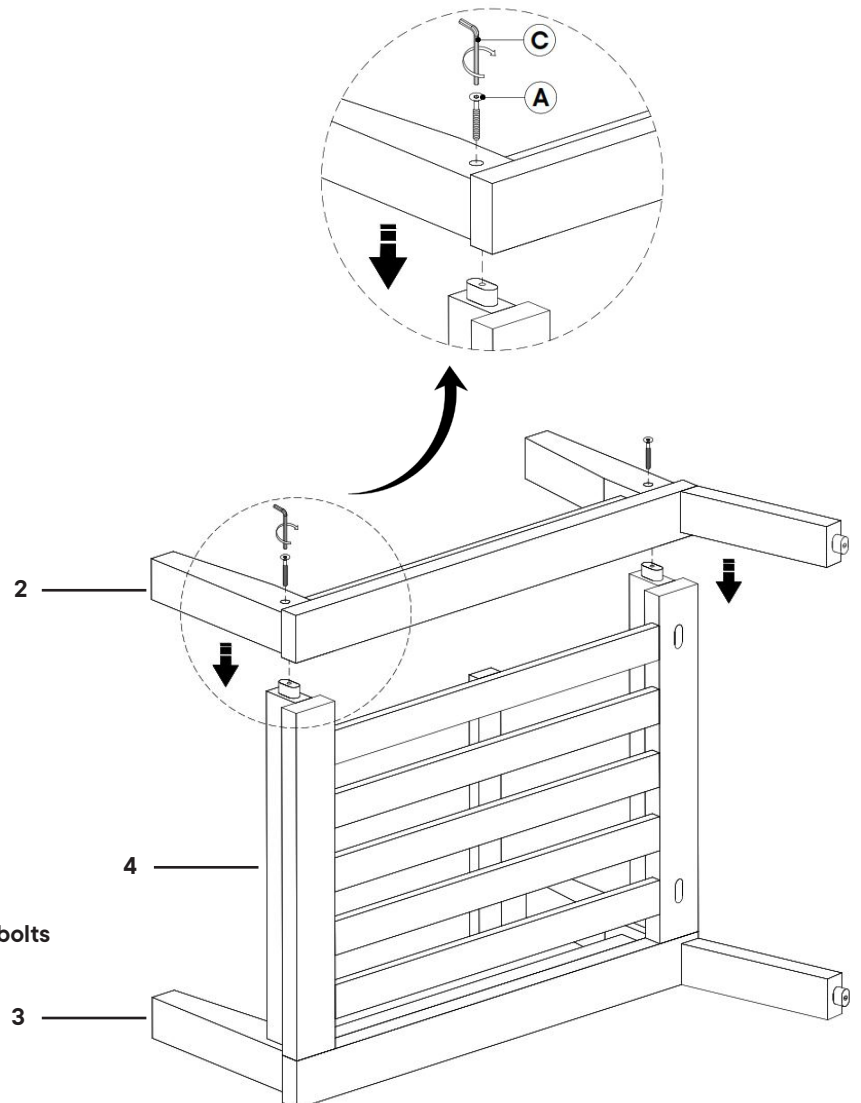
- ② Left Frame x1
- ③ Right Frame x1
- ④ Seat Base x1

HARDWARE

- Ⓐ Bolt M6 x 70 mm x2

TOOLS

- Ⓒ Allen Key x1



Note : Do not fully tighten the bolts

80 %

Step 3

COMPONENTS

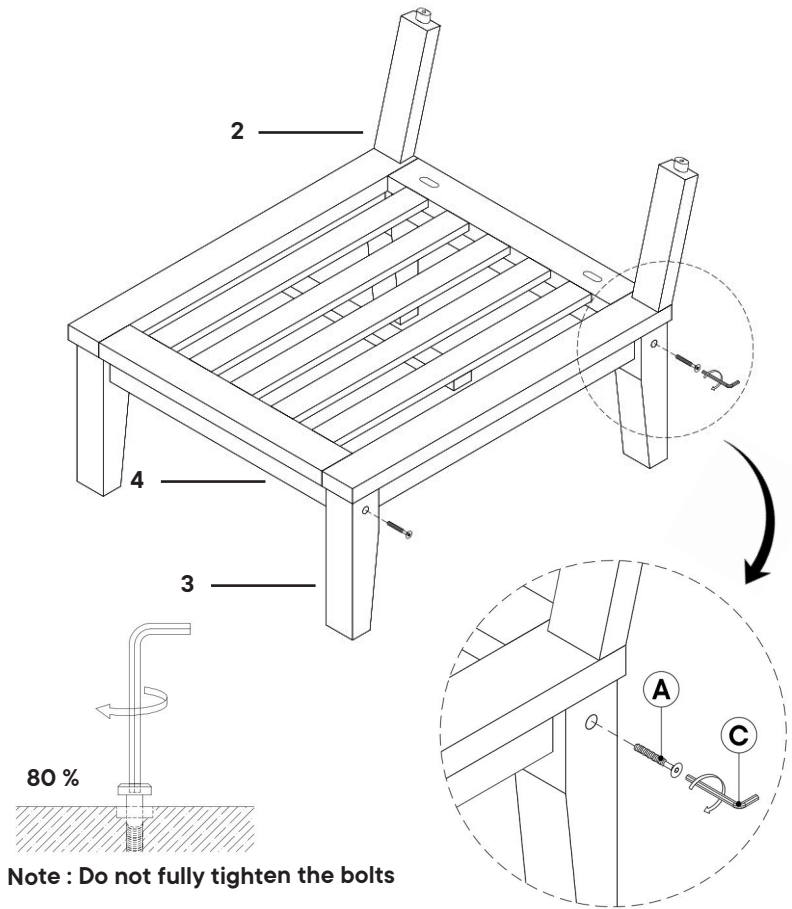
- ② Left Frame x1
- ③ Right Frame x1
- ④ Seat Base x1

HARDWARE

- Ⓐ Bolt M6 x 70 mm x2

TOOLS

- Ⓒ Allen Key x1



Step 4

COMPONENTS

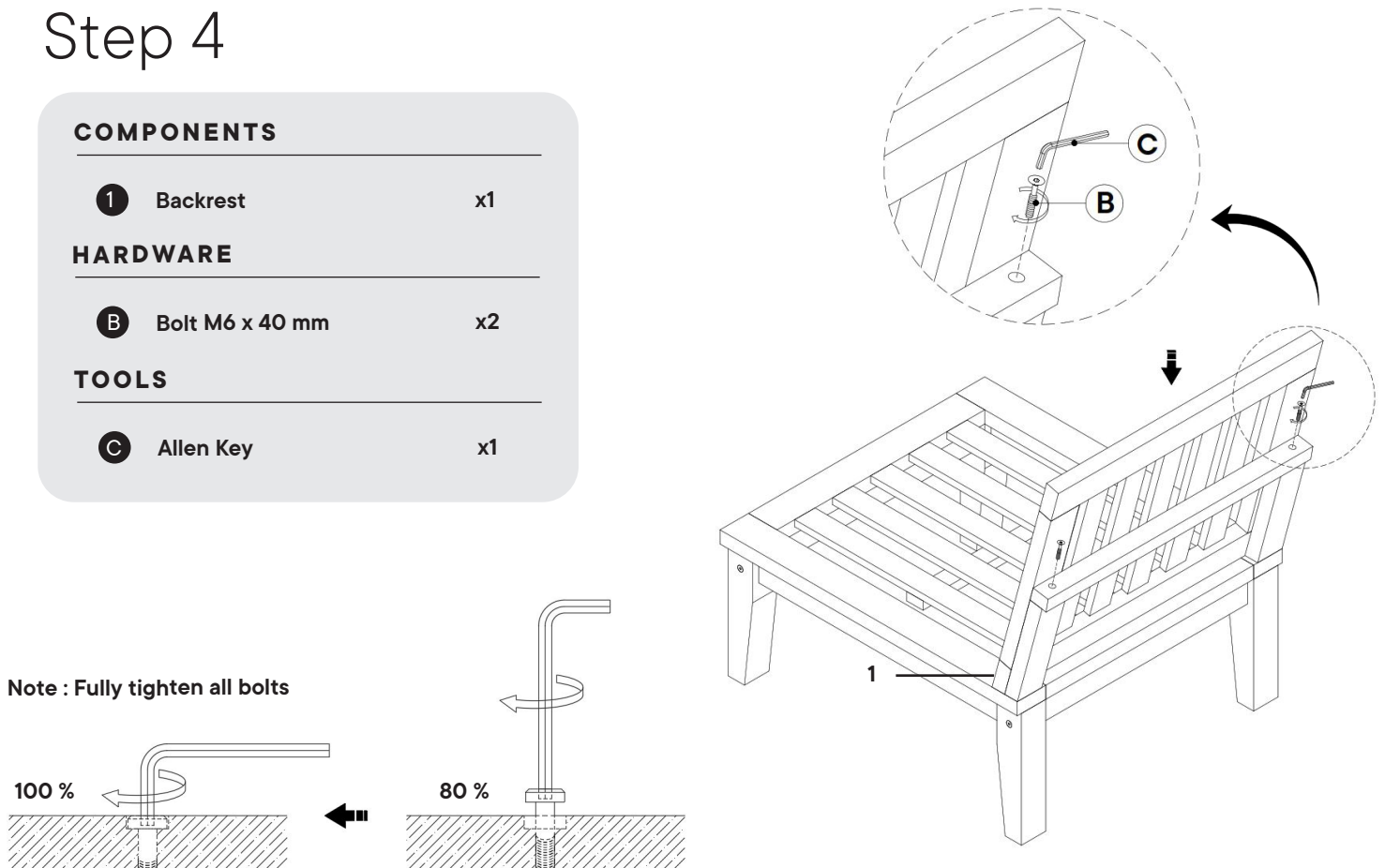
- ① Backrest x1

HARDWARE

- Ⓑ Bolt M6 x 40 mm x2

TOOLS

- Ⓒ Allen Key x1



Great job!

Your Armless Chair assembly is complete

♥ CARING FOR YOUR ITEM

Depending on use, it may be necessary to tighten the hardware from time to time, so please save the tools that have been provided.

Not contract grade.

Clean using a non-abrasive cloth and a mild cleaner.

Retain the rich wood color by occasionally sanding lightly and applying a teak cleaner and protectant. The oils nourish and help restore the original look.



CONNECT WITH US!   

Tag us @modway_furniture and #modway for a chance to be featured.

