


# TOV



## Follow us!

Show your new purchase some love by tagging it on our Instagram!

 @tovfurniture

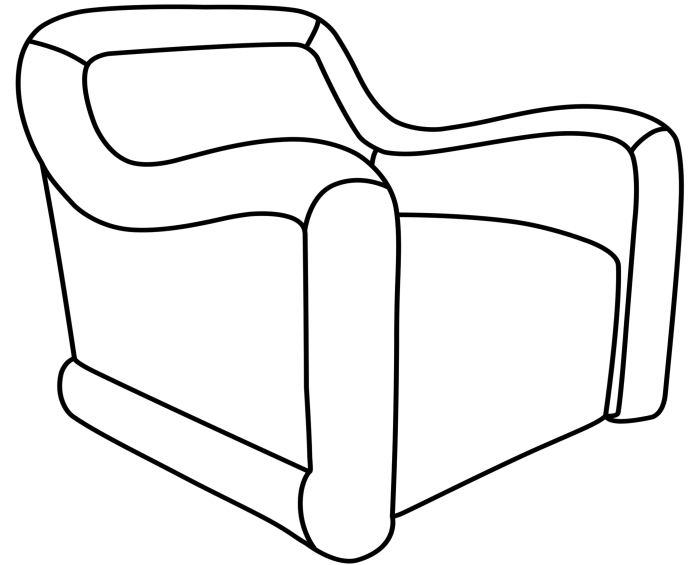
 516-888-3355

 hello@tovfurniture.com

 www.tovfurniture.com

If the future is female—your furniture should be, too. No mahogany in sight. Sexy settees shaped like lips. Price points for any budget. At TOV, we do things differently.



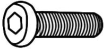



# TOV



## Charli Swivel Chair

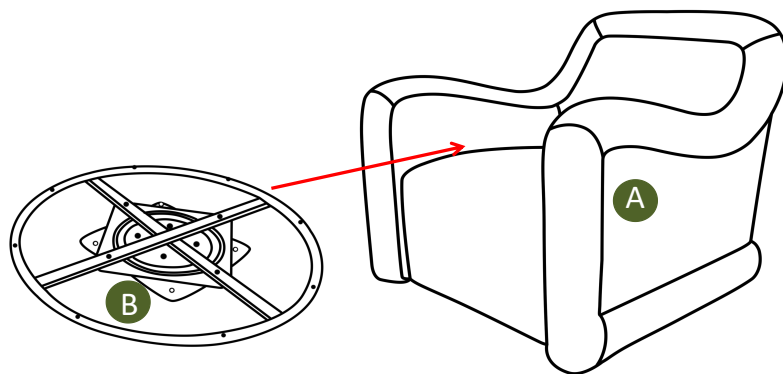
**DON'T BE BORING.**

# Hardware and Components

-  ..... **A** x 1pc Chair Body
-  ..... **B** x 1pc Metal Base
-  ..... **C** x 4pcs Bolt M1/4 \*30mm
-  ..... **D** x 4pcs M1/4 Flat Washer
-  ..... **E** x 4pcs M1/4 Spring Washer
-  ..... **F** x 1pc Allen Key - 4mm(M1/4)

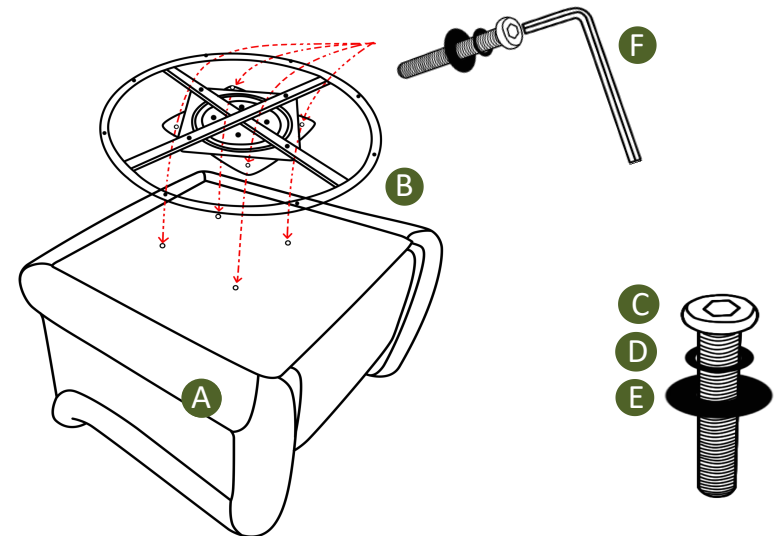
## Step 1

- A. Open the carton and take out the chair. You can find the metal swivel base on the chair seat.
- B. The hardware bag will be in a small bag tied inside to metal base.



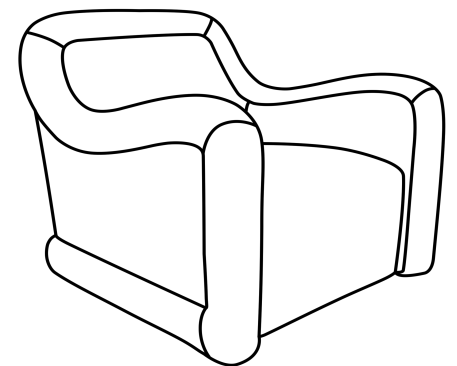
## Step 2

- A. Put Chair Body (A) up-side down as shown. Attach Metal Base (part B) to chair bottom using Parts (C, D and E).
- B. Lightly tighten with Allen Key (F).



## Step 3

- A. Tip chair back to the upright position.
- B. Complete!



Stuck?  
Contact our team @ 516-888-3355

Scan for product care!

