


# TOV



## Follow us!

Show your new purchase some love by tagging it on our Instagram!

 @tovfurniture

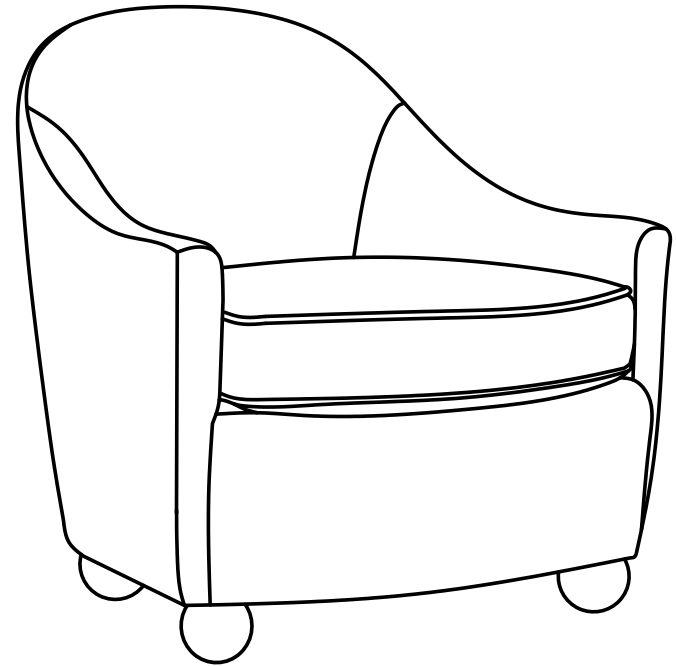
 516-888-3355

 hello@tovfurniture.com

 www.tovfurniture.com

If the future is female—your furniture should be, too. No mahogany in sight. Sexy settees shaped like lips. Price points for any budget. At TOV, we do things differently.

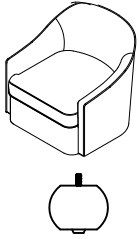
# TOV



## Cettie Accent Chair

**DON'T BE BORING.**

# Hardware and Components

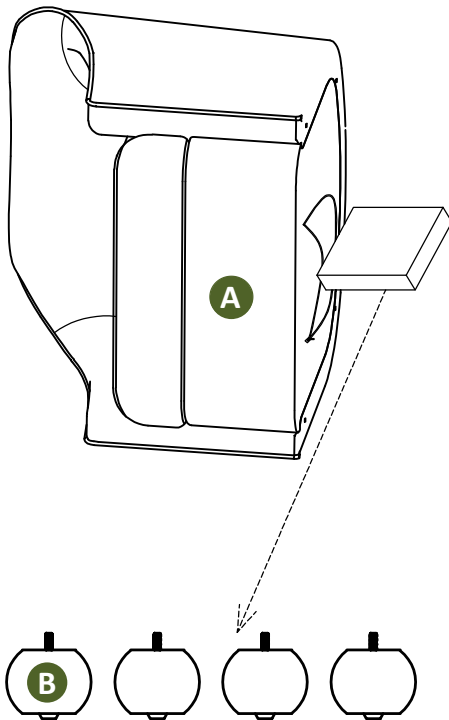


..... **A** x 1pcs Chair body

..... **B** x 4pcs Wood Legs

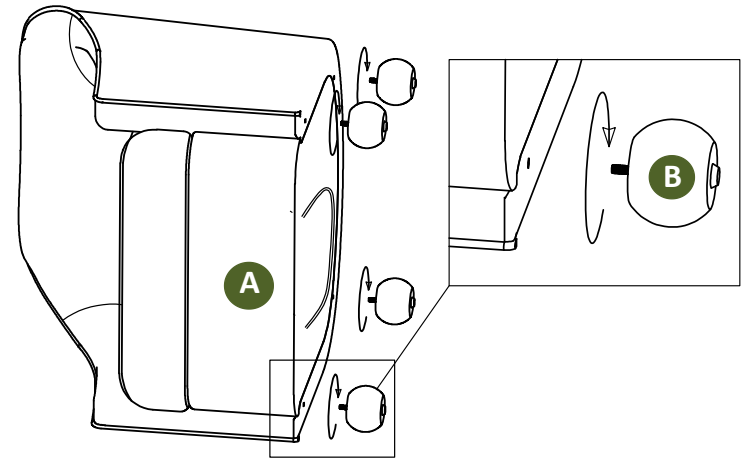
## Step 1

**A.** Place Base (A) on its side onto a clean, padded, non-marring surface. Unzip the compartment on the bottom and remove and unpack all components.



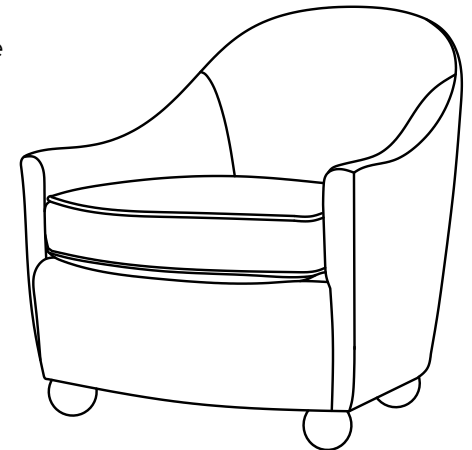
## Step 2

**A.** Position the Legs (B) at each corner of the bottom of the chair. Secure by rotating clockwise until snug but **DO NOT OVERTIGHTEN.**



## Step 3

**A.** Tip chair back to the upright position.  
**B.** Complete!



Stuck?

Contact our team @ 516-888-3355

Scan for product care!

