



TOV





Follow us!

Show your new purchase some love by tagging it on our Instagram!

 @tovfurniture

 516-888-3355

 hello@tovfurniture.com

 www.tovfurniture.com

If the future is female- your furniture should be, too. No mahogany in sight. Sexy settees shaped like lips. Price points for any budget.

At TOV, we do things differently.

TOV



CARNATION DINING CHAIR

DON'T BE BORING.

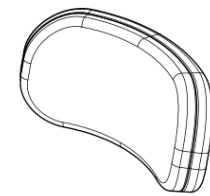
FINISH



Stuck?
Contact our team @ 516-888-3355
Scan for product care!



Hardware and Components



----- **A** x1pc



----- **B** x1pc



----- **C** M6x70 x3pcs



----- **D** Ø6,5/14x2 x3pcs



----- **E** 23x100 x1pc



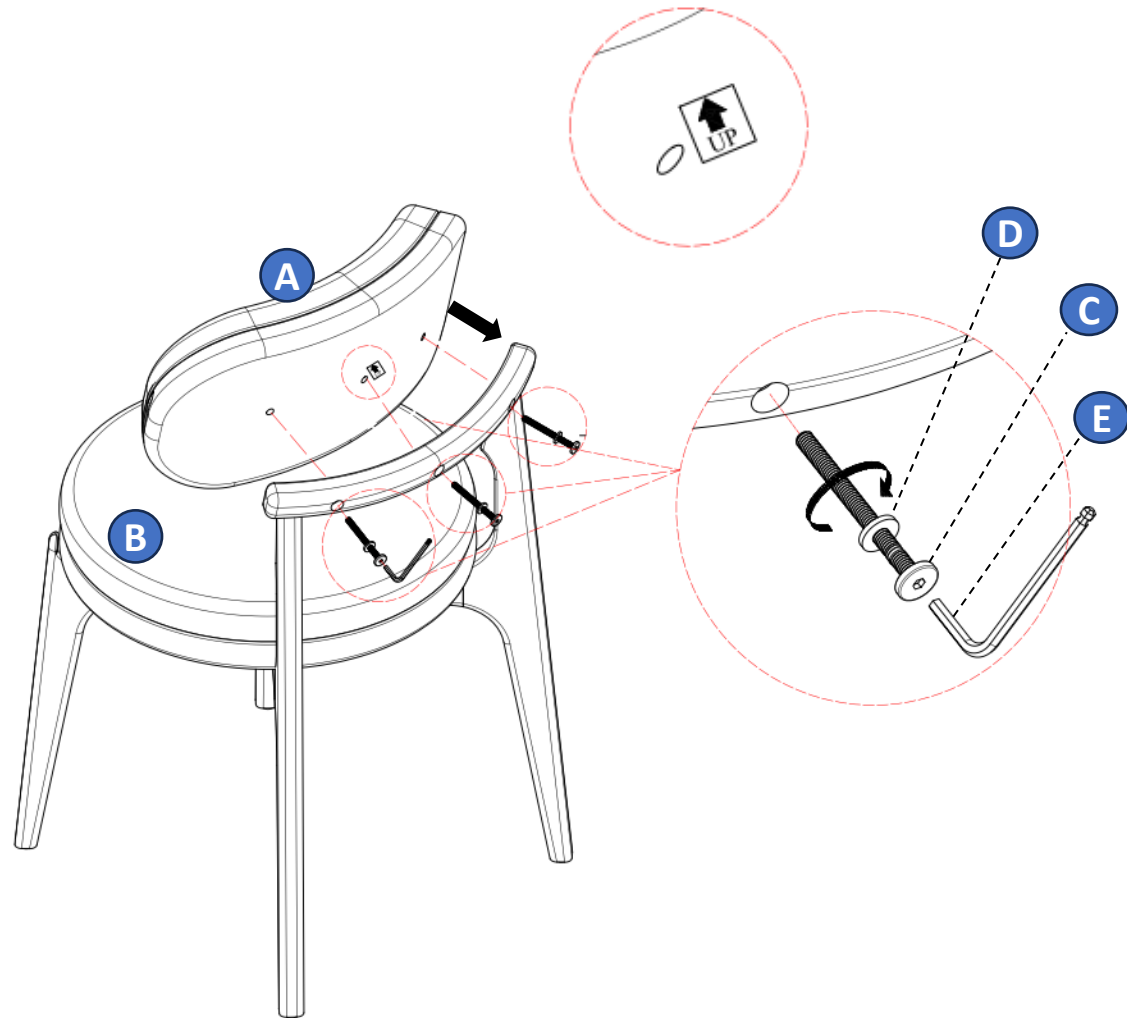
----- **F** Ø16x7 x3pcs

STEP 1

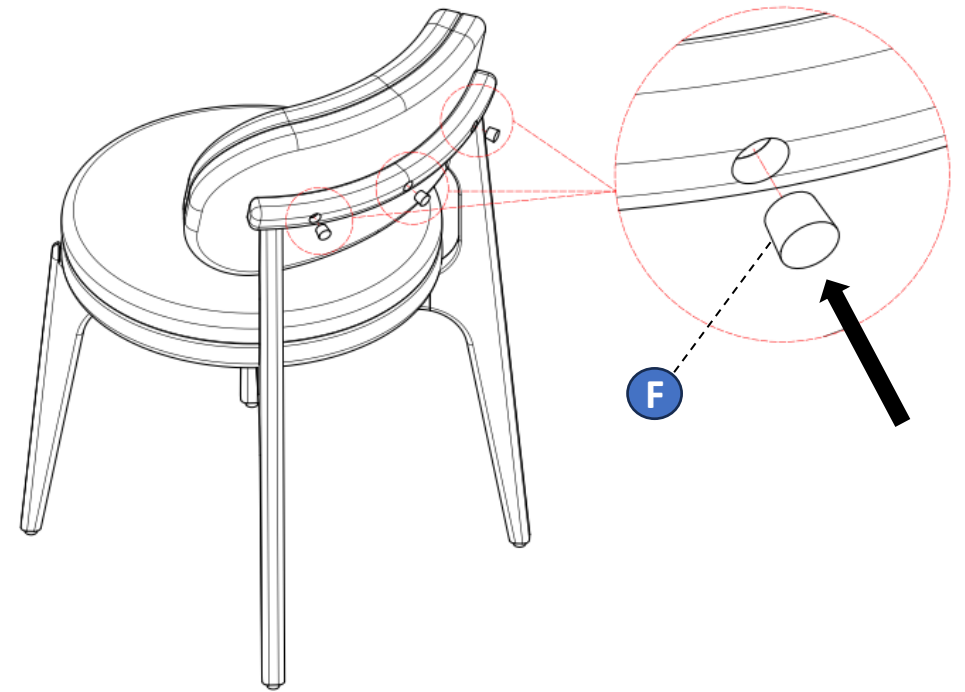
Open box of hardware and legs.
This hardware box will be a smaller
box inside of the main box. Look for
the red streamer.



STEP 2



STEP 3



STEP 4

