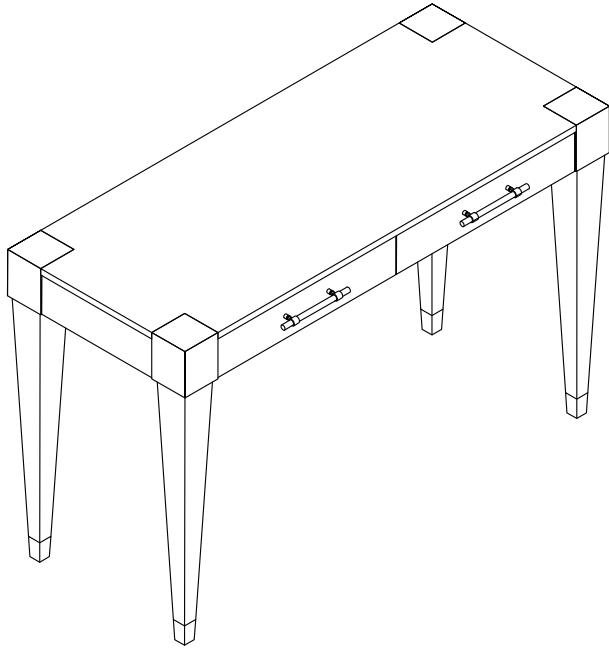


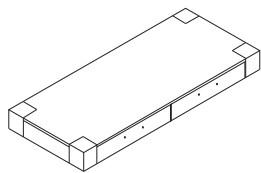
TOV



**Brandyss
Work Desk**

DON'T BE BORING.

Hardware and components



----- **A** x 1pc (Table Top)



----- **B** x 4pcs (Leg)



----- **C** x 8pcs (Hex Bolt M8 x 40mm)



----- **D** x 8pcs (Spring Washer
Ø12 x Ø8 x 1.2mm)



----- **E** x 8pcs (Flat Washer
Ø19 x Ø8 x 1mm)



----- **F** x 1pc (Allen Wrench M4 x 60)

STEP 1

Open box of hardware.

This hardware box will be a smaller box inside of the main box. Look for the red streamer.

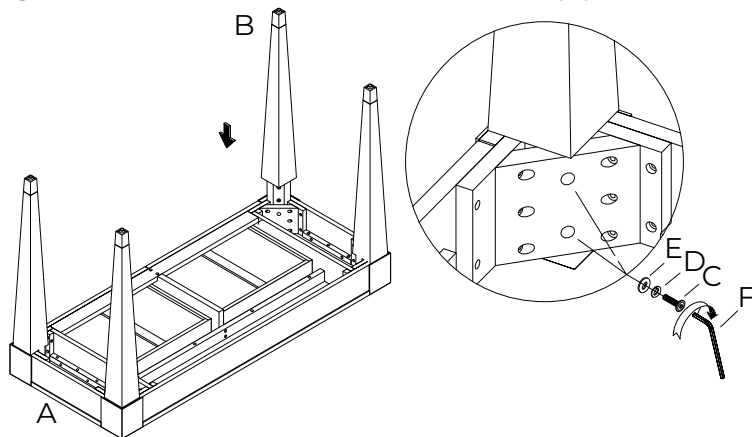


STEP 2

A. Place Table Top (A) upside down on a soft surface.

B. Attach Legs (B) to corners using Bolt (C), Spring Washer (D) and Flat Washer (E).

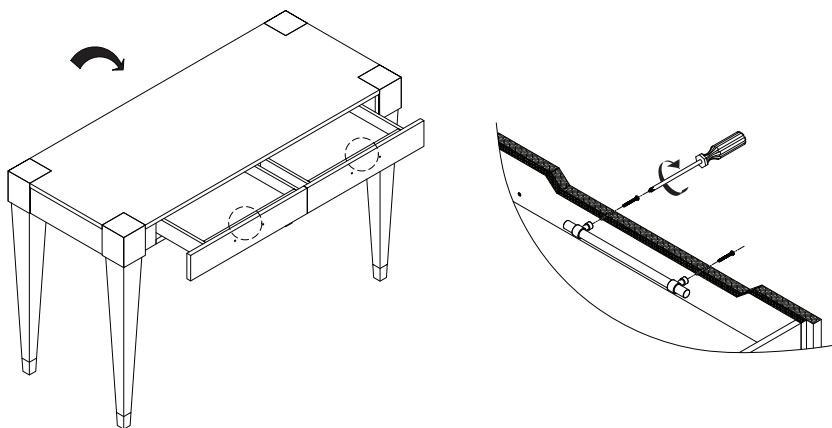
C. Tighten all bolts with Allen Wrench (F).



STEP 3

A. Flip table upright.

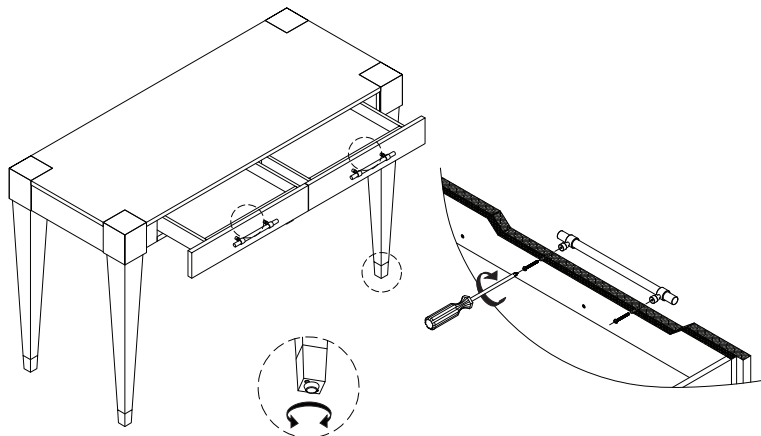
B. The handle is fitted inside the drawer, open the drawer, unscrew and remove the handle.



STEP 4

A. Attach the handle onto outside of the drawer using the screw.

B. Adjust levelers if needed. Complete!



Stuck?

Contact our team @ 516-888-3355

Scan for product care!




TOV



Follow us!

Show your new purchase some love by tagging it on our Instagram!

 @tovfurniture

 516-888-3355

 hello@tovfurniture.com

 www.tovfurniture.com

If the future is female—your furniture should be, too. No mahogany in sight. Sexy settees shaped like lips. Price points for any budget. At TOV, we do things differently.