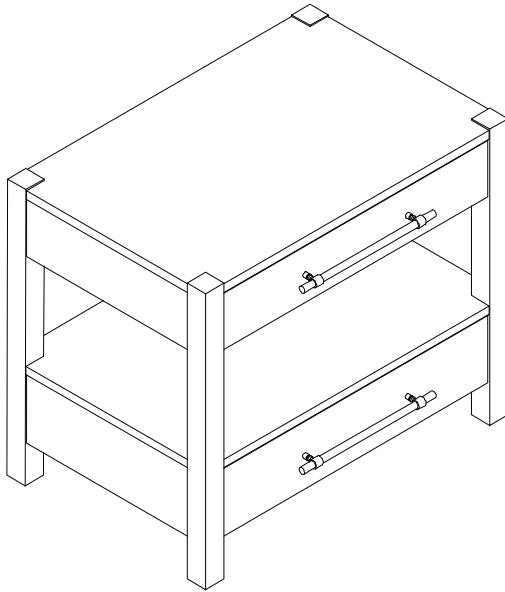


**TOV**

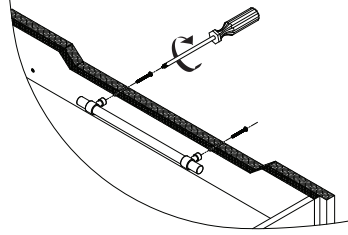
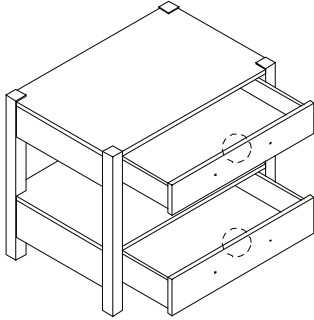


**Brandyss  
Nightstand**

**DON'T BE BORING.**

## STEP 1

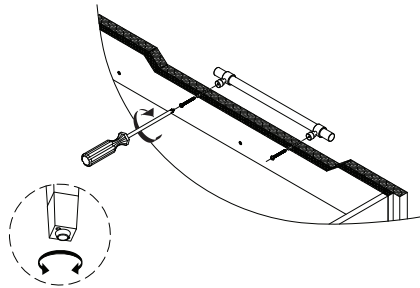
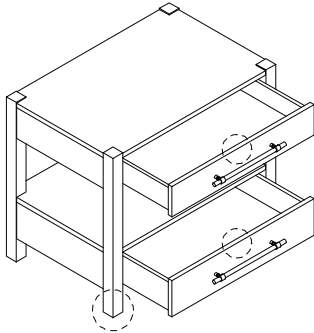
**A.** The handles are fitted inside the drawers, open the drawers, unscrew and remove the handles.



## STEP 2

**A.** Attach the handles onto outside of the drawers using the screws.

**B.** Adjust the leveler if needed. Complete!



Stuck?

Contact our team @ 516-888-3355

Scan for product care!




# TOV



## Follow us!

Show your new purchase some love by tagging it on our Instagram!

 @tovfurniture

 516-888-3355

 hello@tovfurniture.com

 www.tovfurniture.com

If the future is female—your furniture should be, too. No mahogany in sight. Sexy settees shaped like lips. Price points for any budget. At TOV, we do things differently.