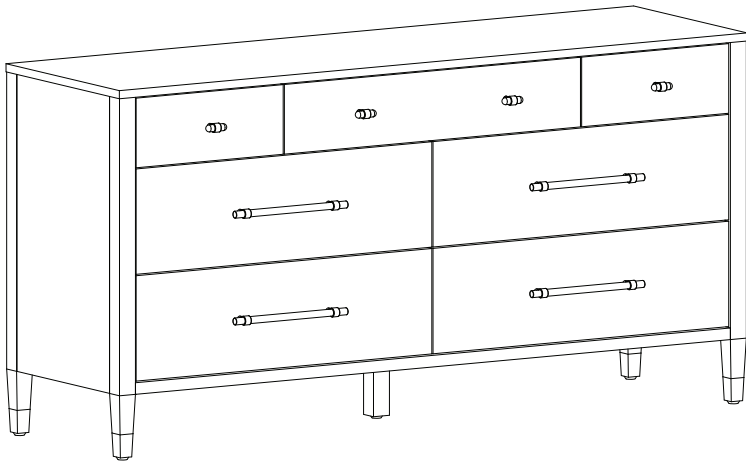


TOV

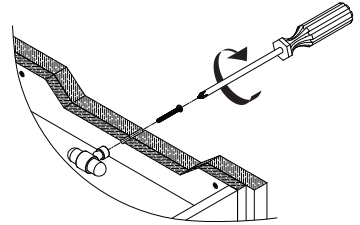
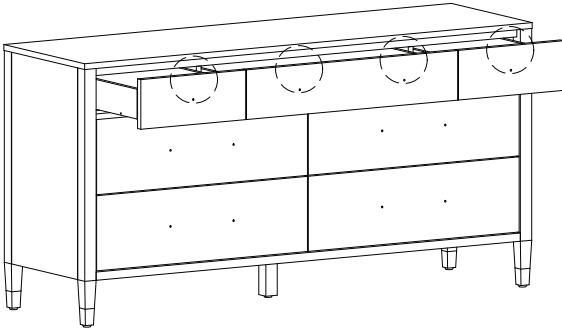


**Brandyss
Dresser**

DON'T BE BORING.

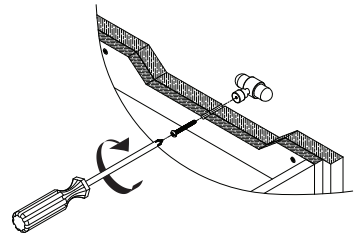
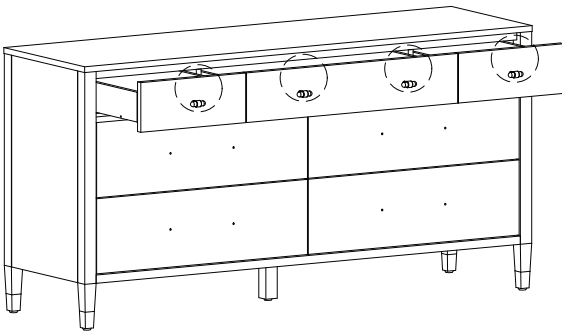
STEP 1

A. The handles of the top drawers (3 upper drawers) are installed inside the drawers. Open the drawers, unscrew, and remove the handles.



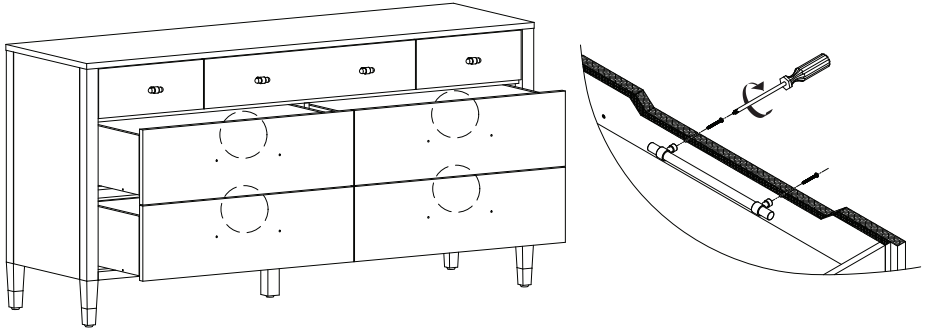
STEP 2

A. Attach the handles onto the outside of the top drawers (3 upper drawers) using the screws.



STEP 3

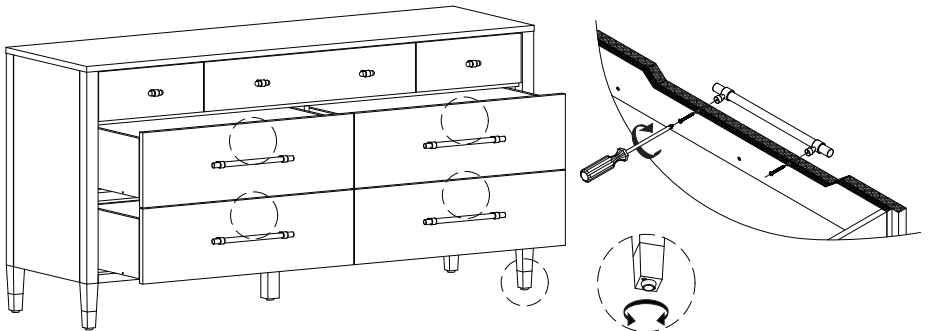
A. The handles of the bottom drawers (4 lower drawers) are installed inside the drawers. Open the drawers, unscrew, and remove the handles.



STEP 4

A. Attach the handles onto the outside of the bottom drawers (4 lower drawers) using the screws.

B. Adjust the leveler if needed. Complete!



Stuck?

Contact our team @ 516-888-3355

Scan for product care!




TOV



Follow us!

Show your new purchase some love by tagging it on our Instagram!

 @tovfurniture

 516-888-3355

 hello@tovfurniture.com

 www.tovfurniture.com

If the future is female—your furniture should be, too. No mahogany in sight. Sexy settees shaped like lips. Price points for any budget. At TOV, we do things differently.