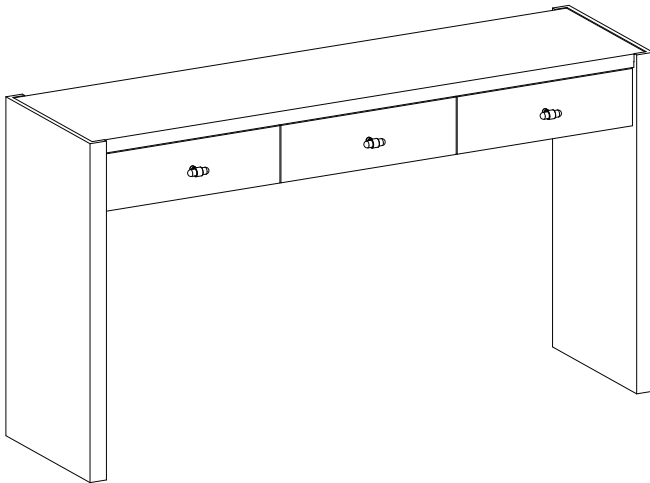


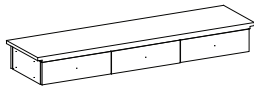
TOV



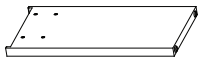
**Brandyss
Console Table**

DON'T BE BORING.

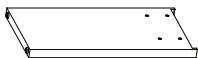
Hardware and components



----- **A** x 1pc (Table Top)



----- **B** x 1pc (Left Leg)



----- **C** x 1pc (Right Leg)



----- **D** x 8pcs (Hex Bolt M8 x 40mm)



----- **E** x 8pcs (Spring Washer
Ø12 x Ø8 x 1.2mm)



----- **F** x 8pcs (Flat Washer
Ø19 x Ø8 x 1mm)



----- **G** x 1pc (Allen Wrench M5 x 40)

STEP 1

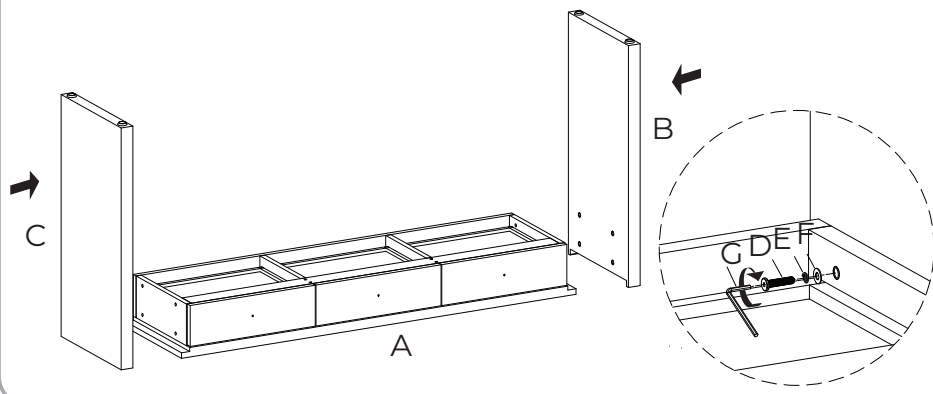
Open box of hardware.

This hardware box will be a smaller box inside of the main box. Look for the red streamer.



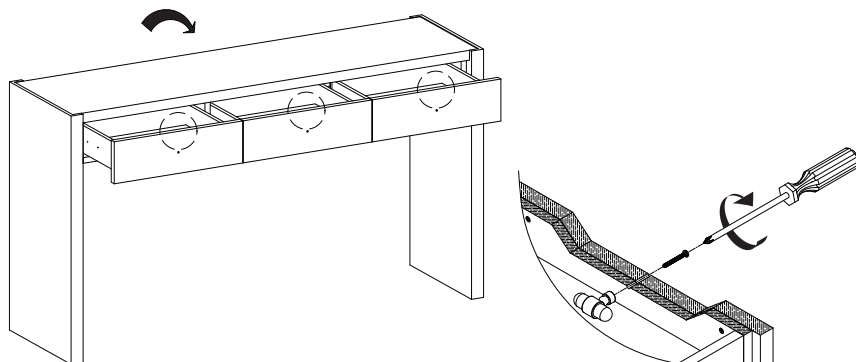
STEP 2

- A.** Place Table Top (A) upside down on a soft surface.
- B.** Pull-out side drawers. Then attach Left Leg (B) and Right Leg (C) to the corners using Bolts (D), Spring Washers (E) and Flat Washers (F).
- C.** Tighten all bolts with Allen Wrench (G).



STEP 3

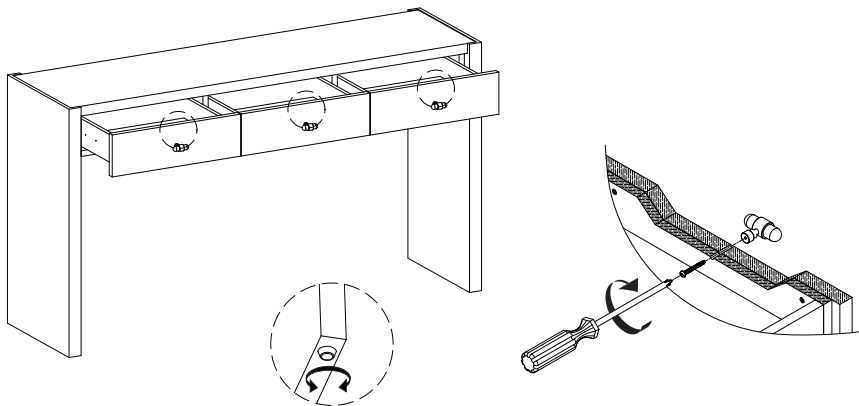
- A.** Flip the table upright.
- B.** The handles are fitted inside the drawers, open the drawers, unscrew and remove the handles.



STEP 4

A. Attach the handles onto outside of the drawers using the screws.

B. Adjust levelers if needed. Complete!



Stuck?

Contact our team @ 516-888-3355

Scan for product care!




TOV



Follow us!

Show your new purchase some love by tagging it on our Instagram!

 @tovfurniture

 516-888-3355

 hello@tovfurniture.com

 www.tovfurniture.com

If the future is female—your furniture should be, too. No mahogany in sight. Sexy settees shaped like lips. Price points for any budget. At TOV, we do things differently.