


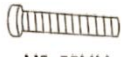






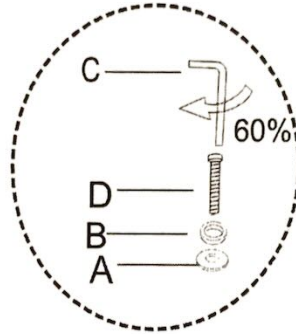
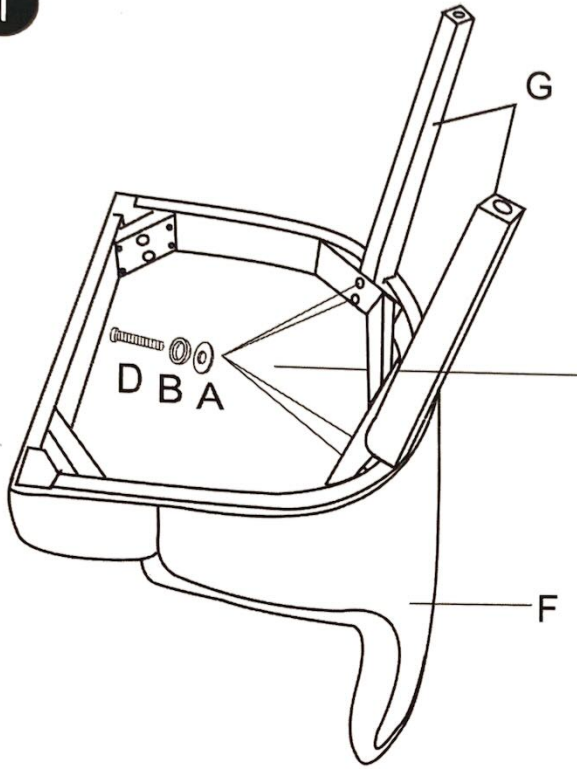
HARDWARE :

A×8  Φ8 Flat washer	B×8  Φ8 Lock washer	C×1  M8 Allen key	D×4  M8×55MM Shorter Screw	E×4  M8×60MM Longer Screw
---	--	--	---	--

PARTS LIST

G×2  Hind Legs	F×1  Back
H×2  Front Legs	

1



Put chair back on a clean flat surface. Align Hind legs in the seat pad as shown in the diagram.

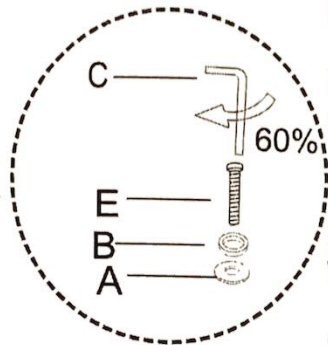
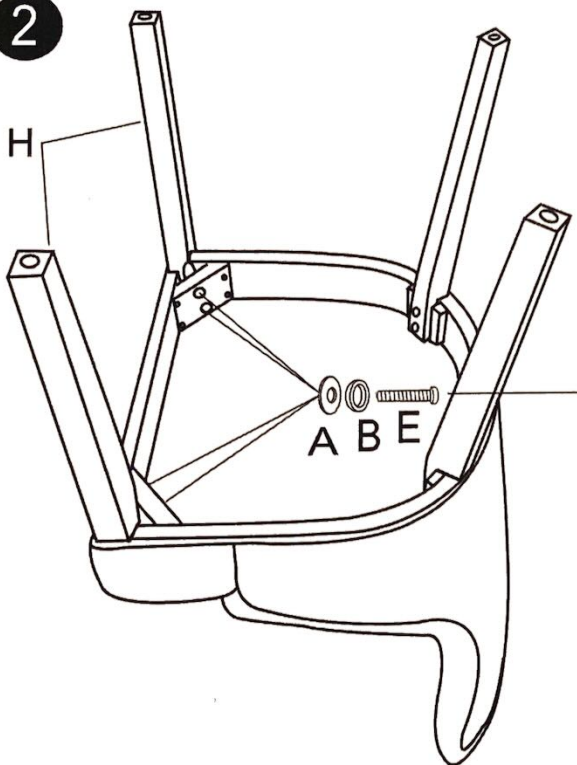
Firm pressure is required to push the legs. use parts C,D,B,A to secure Again

Using SHORTER SCREW (D) with Washer (#A,B).

DO NOT FULLY TIGHTEN.

First HAND tighten then tightened using key up-to 60-80% only at this stage.

2



Align front legs in the seat pad as shown in the diagram.

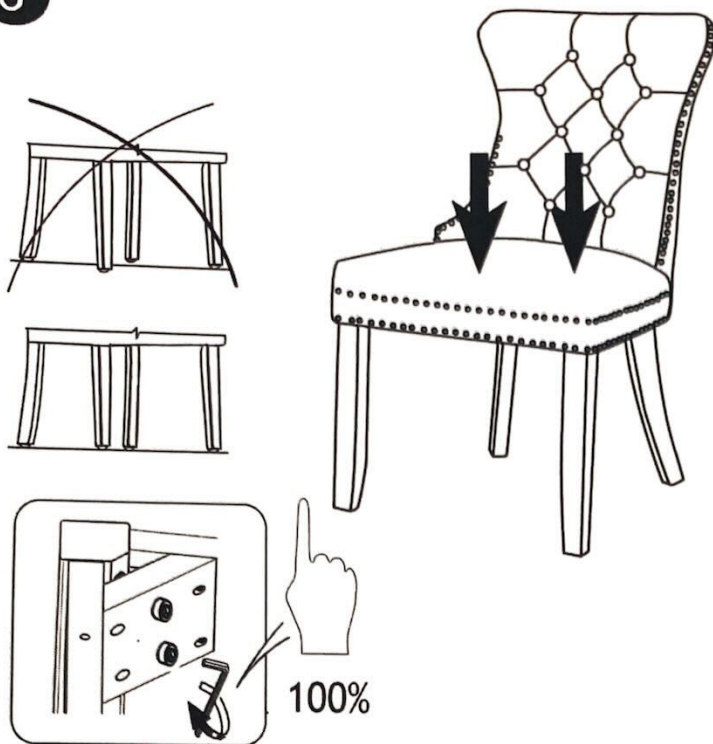
Firm pressure is required to push the legs. use parts C,E,B,A to secure Again

Using LONGER SCREW (E) with Washer (#A,B).

DO NOT FULLY TIGHTEN.

First HAND tighten then tightened using key up-to 60-80% only at this stage.

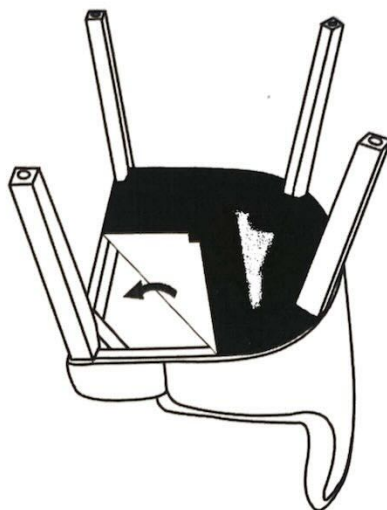
3



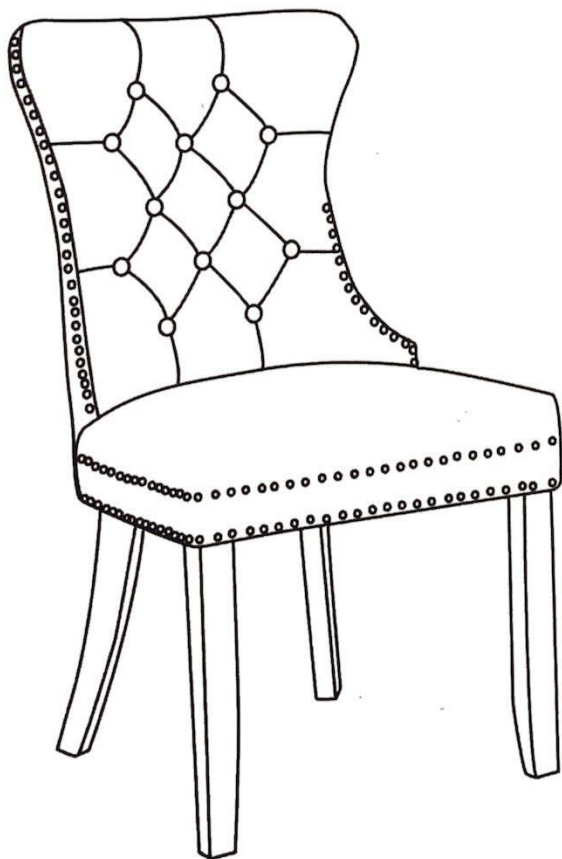
Put chair in the upright position and **SIT ON THE CHAIR** to press downwards on the seat pad ensuring that all 4 feet touch the ground and chair is leveled.

Proceed to tighten all screws making sure the chair remains level when tightening.

Check that all screws are tight on a regular basis to ensure chair remains level and secure.



4



TROUBLESHOOT

One screw is in and other screw does not go in. Or Holes are not align.

1. Make sure to use 4 Shorter screws (E) in Front Legs, Longer screw (D) in the Hind Legs
2. Loosen the screw and then First HAND tightened All screws TOGETHER at the same time. then tightened to 60-80% at this stage only using key.
3. If both above steps are correct, please use Key to secure screws. It might be little stiff.

Chair Legs are not level or shorter legs.

If the screws are fully tightened. Loosen screws up-to 60%. Put chair in the upright position and **SIT ON THE CHAIR** to press downwards on the seat pad ensuring that all 4 feet touch the ground and are leveled. Tightened all one by one.